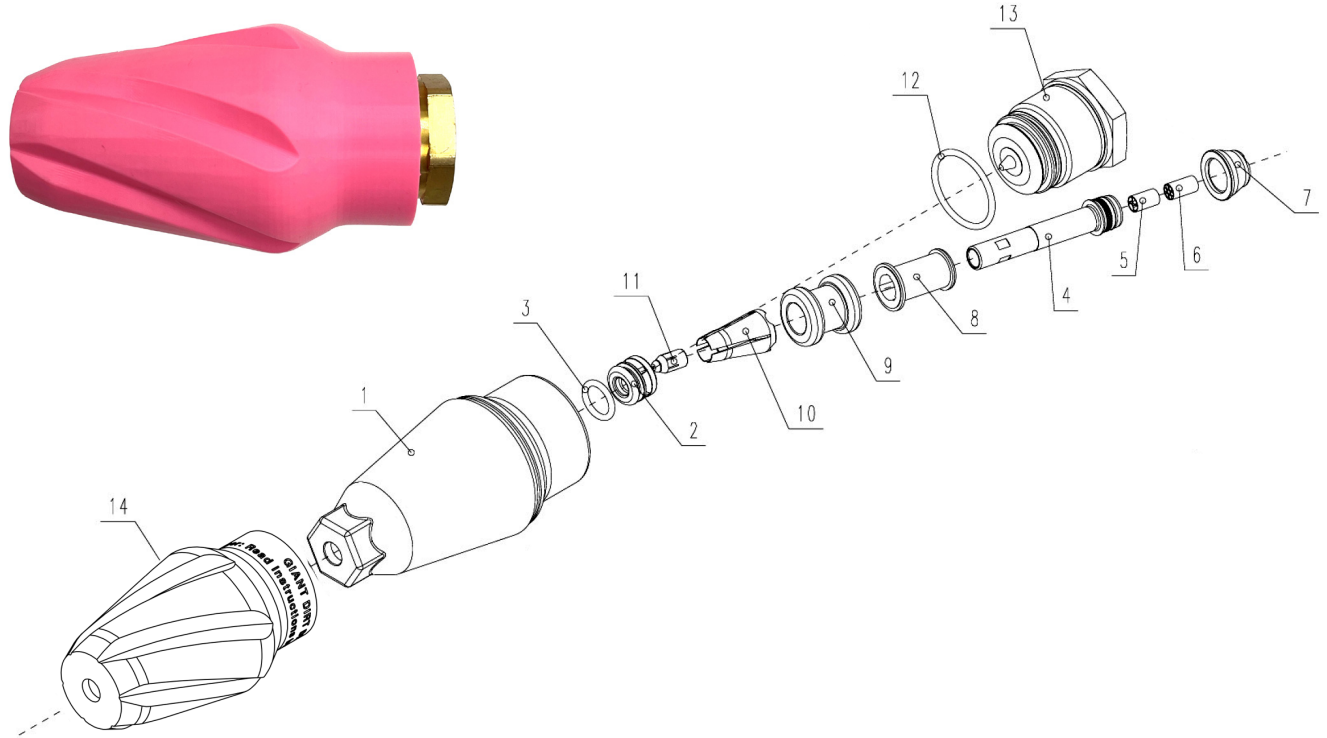


Dirt Drill™ Series

Hydroexcavating Nozzle



Operating Conditions		Model #	Nozzle Size	Repair Kit# (Items 2-12)
	U.S. (Metric)			
Maximum Flow:	18.7 GPM (84 l/min)	DDRILL8P-10.0	#10.0	DDRILLKIT-10.0
Maximum Pressure:	6000 PSI (400 bar)	DDRILL8P-12.0	#12.0	DDRILLKIT-12.0
Spray Angle:	20°	DDRILL8P-20.0	#20.0	DDRILLKIT-20.0
Maximum Temperature:	195 ° F (90 °C)			
Weight:	1lb. 4 ozs. (.57 kg)			
Connection:	1/2" FNPT			
Parts List				
Item	Part#	Description	Quantity	
1	27015	Body	1	
12	27016	O-Ring	1	
14	27013P	Cover, Pink	1	
Note: Item numbers 2-12 are sold only in a kit				



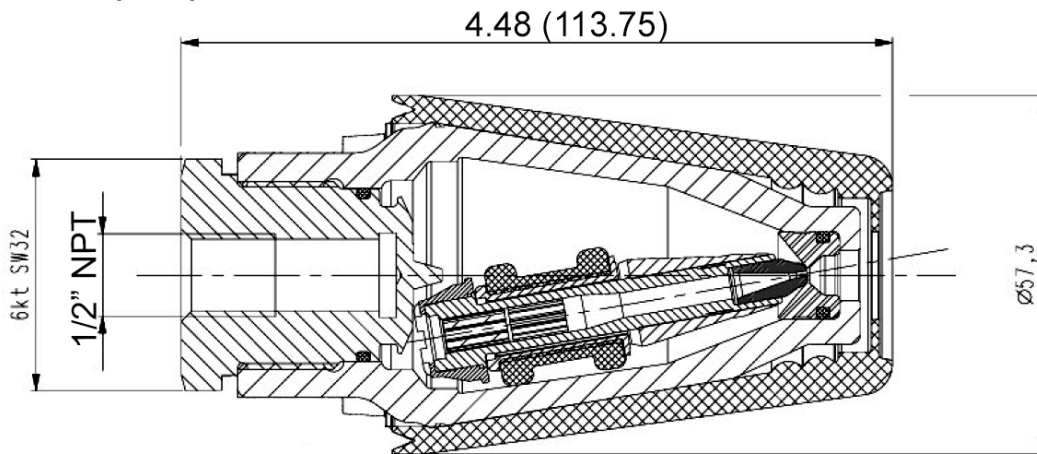
DIRT DRILL REPAIR INSTRUCTIONS

- 1) Using a 24mm boxed end wrench and a 24mm socket unscrew the drive plug (13) from the discharge casing (1).
- 2) Remove rotor assembly (7-11) and replace with a new assembly.
- 3) Using a 5/16" wooden dowel rod press out ceramic seat (2) and o-ring (3) from the top side of discharge casing (1). Replace with new ceramic seat and o-ring.
- 4) If necessary, replace the o-ring (12).
- 5) Insert rotor assembly (7-11) into the discharge casing (1) and tighten the drive plug (13).

MAINTENANCE NOTICE:

If turbo will not spin, take unit apart and clean the nozzle. If turbo still will not spin, have an authorized distributor repair nozzle.

Dimensions - in (mm)



WARNING: This product might contain a chemical known to the State of California to cause cancer, and birth defects or other reproductive harm.
For more information go to www.P65Warnings.ca.gov

GIANT
Performance Under Pressure

Giant Industries, Inc.
900 N. Westwood Ave.
Toledo, Ohio 43607
PHONE: 419-531-4600
FAX: 419-531-6836
www.giantpumps.com

© Copyright 2025 Giant Industries, Inc.