

## Roto-Lance

Z 25-1e

### Pneumatically Driven Rotating Lance

- Roto-Lance complete with rotating tube, protection tube, pneumatic drive and initiator (without nozzle head)



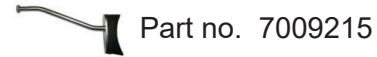
#### Optional Equipment:

-without gun handle



#### Additional Equipment:

-Shoulder support



### Applications

Cleaning of surfaces, cleaning and washing of concrete and stones, removal of concrete and laying bare reinforcements as well as removal of paints and coatings, removal of graffiti, etc.

### Technical Data

	U.S.	Metric
Max. Working Pressure:	50,770 PSI	3500 bar
Max. Capacity:	13.2 GPM	50 L/min
Pressure Connection:		M 26x1.5 female (pressure screw & pressure ring available see accessories)
Connection for nozzle head:		M 14x1.5 LH male
Total Length:	39.4"	1000 mm
Weight (complete)	13.2 lbs.	6 kg
Weight (without handle):	7.7 lbs.	3.5 kg
Temperature:	max. 194 °F	max. 90 °C
Usable Nozzle Heads:		-see page Z 35-1e

#### Pneumatic Drive

Speed RPM:		0 - 1800 RPM
Air Connection:		Quick coupling for air hose ID 6
Air Requirement:		5.0 l/s (filtered and oiled air)
Air Working Pressure:	91.4 PSI	6.3 bar

### Required Accessories

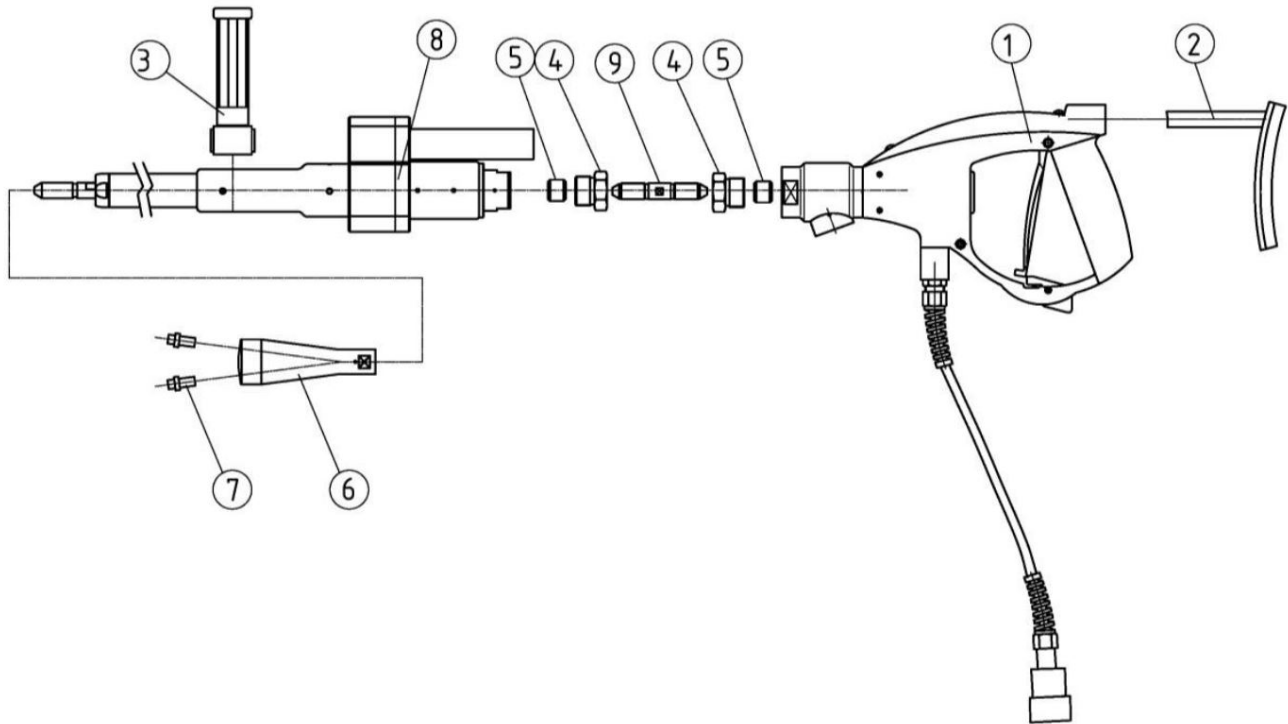
• Pressure Screw	M 26x1.5	7006364
• Pressure Ring	M 14x1.5 LH	7006365
• Pressure Ring	9/16"-18 UNF LH	7006966

### Applications

- Can be fitted to guns and guided equipment
- Cleaning of surfaces and pipes
- Removal of paint and coatings
- Removal of concrete; laying bare reinforcements
- Cleaning and washing of concrete and stones



For hand-help operation of a spray gun the nozzle diameter must be selected to ensure that the reaction force in the longitudinal axis when used at the maximum operating pressure does not exceed 56.2 lbs.-force (250 N). If the reaction force is in excess of 33.7 lbs.-force (150 N) the gun must be equipped with a support.



Item	Description	Part No.
1	Gun handle with connector block and remote control	7018126
2	Shoulder support	7009215
3	Additional handle	7001071
4	Pressure screw M 26 x 1.5	7006361
5	Pressure Ring M 14 x 1.5 LH	7006365
6	Various rotating heads	see page Z 35-1e
7	Nozzle inserts	see page Z 55-1e
8	Roto Lance without gun handle	7028912
9	HP-Pipe nipple	7006451

