

PRD3500 Air Rotating Nozzle

- Pneumatic drive with air motor
(without nozzle head)



Technical Data

Part Number: 7028896

	<u>U.S.</u>	<u>Metric</u>
Max. Working Pressure:	50,750 PSI	3500 bar
Max. Flow Rate:	13.2 GPM	50 L/min
Hose Connection:		M 26x1.5 IG
Nozzle Head Connection:		M 14 x 1.5 LH male
Length:	8.5"	217 mm
Weight:	5.5 lbs.	2.5 kg
Usable Nozzle Inserts:	Nozzle Heads for Rotating Tools Literature	

Pneumatic Drive / Air motor:

Speed		0-1800 RPM
Air Required:	305 in ³ /s	5.0 l/s (filtered & oiled air)
Air Working Pressure	91.3 PSI	6.3 bar
Power:		120W

Accessories

Pressure Screw M 26x1.5	Part No.:	7006364
Pressure Ring M 14x1.5 LH male	Part No.:	7006365
Pressure Ring 9/16"-18UNF LH	Part No.:	7006966

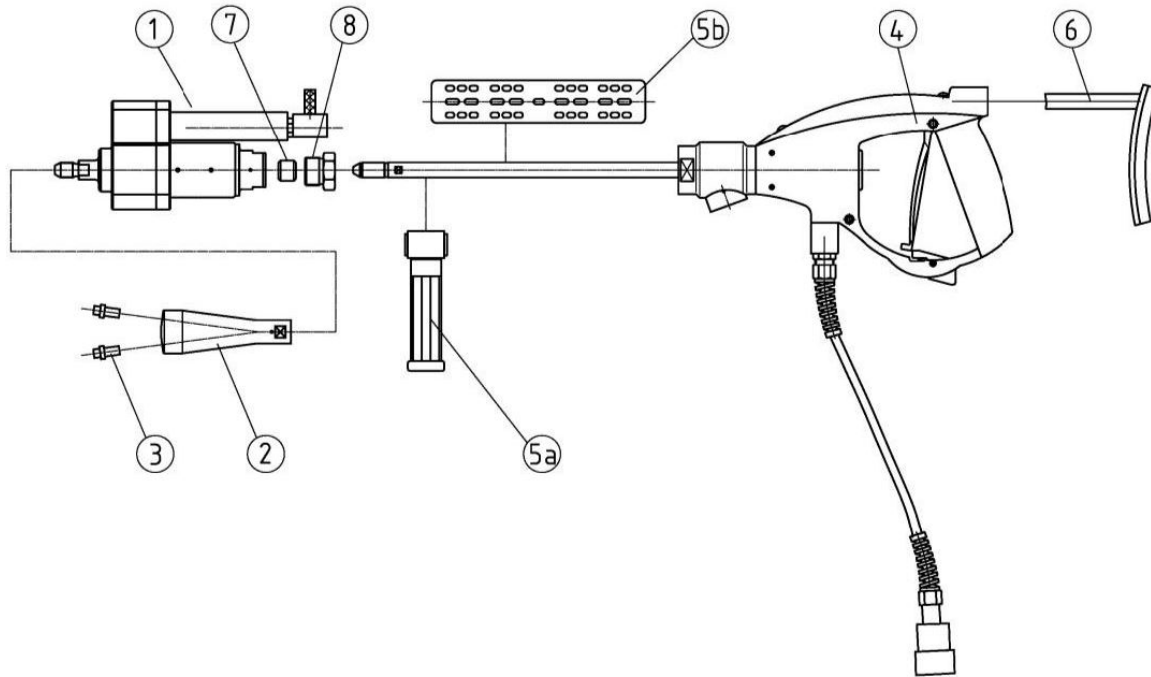
Applications

- Can be fitted to lances and guided equipment
- Cleaning of surfaces and pipes
- Removal of paint and coatings
- Removal of concrete; laying bare reinforcements
- Cleaning and washing of concrete and stones



For hand-held operation of a spray gun the nozzle diameter must be selected to ensure that the reaction force in the longitudinal axes when used at the maximum operating pressure does not exceed 250N. If the reaction force is in excess of 33.7 lb-f. (150 N) the gun must be equipped with a support.

Accessories and Spare Parts - PRD3500 Air



Item	Description	Part No.
1	PRD 3500 air Fittings: M 14 x 1.5 LH female (for gun tube) M 14 x 1.5 LH male (for nozzle head)	7031996
2	Various nozzle heads	see page Nozzle Head for Rotating Tools Literature
3	Screwed nozzles	see page Straight Jet Threaded Nozzles
4	High pressure spray gun KSP 3000 Fitting on gun tube; M 14 x 1.5 LH	see KSP3000 Literature
5a	Additional handle	7001071
5b	Half shell handle	7009921
6	Shoulder support	7009215
7	available pressure ring M 14x1.5 LH 9/16"-18UNF LH	7006365 7006966
8	Pressure screw M 26x1.5	7006364

Usable nozzle inserts Typ 0964
Required nozzle \varnothing by selection table depending from nozzle head

- see Straight Jet Threaded Nozzle
- see nozzle selection tables DK1 through DK4