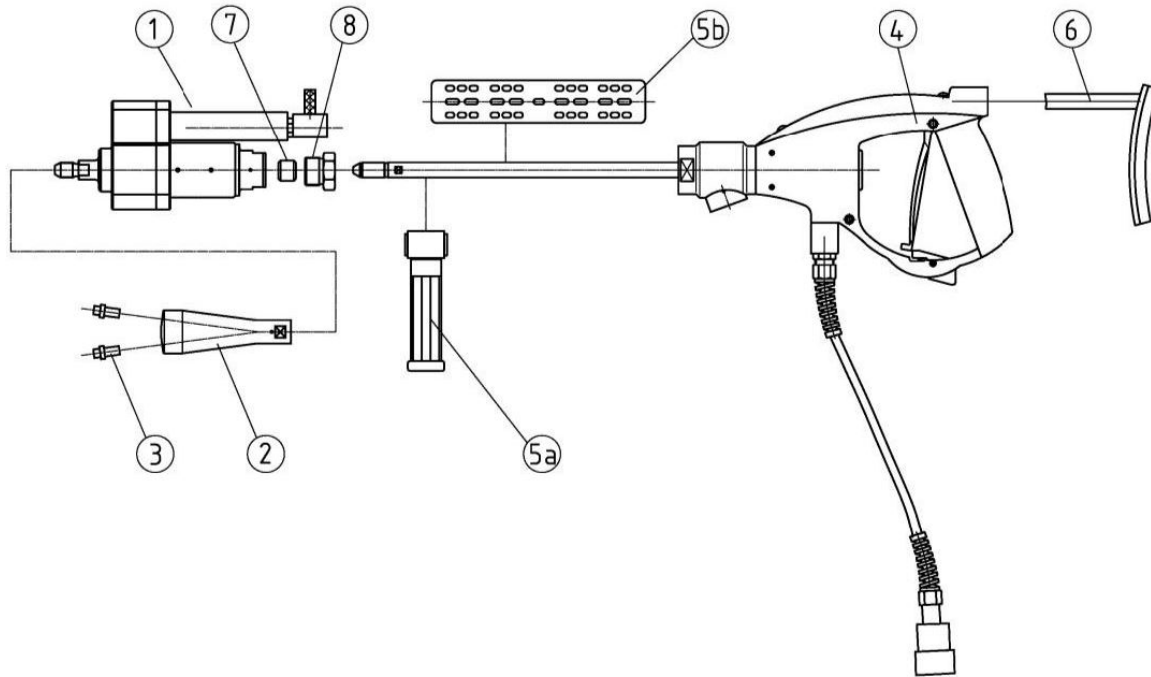


Accessories and Spare Parts - PRD3500 Air



Item	Description	Part No.
1	PRD 3500 air Fittings: M 14 x 1.5 LH female (for gun tube) M 14 x 1.5 LH male (for nozzle head)	7031996
2	Various nozzle heads	see page Nozzle Head for Rotating Tools Literature
3	Screwed nozzles	see page Straight Jet Threaded Nozzles
4	High pressure spray gun KSP 3000 Fitting on gun tube; M 14 x 1.5 LH	see KSP3000 Literature
5a	Additional handle	7001071
5b	Half shell handle	7009921
6	Shoulder support	7009215
7	available pressure ring M 14x1.5 LH 9/16"-18UNF LH	7006365 7006966
8	Pressure screw M 26x1.5	7006364

Usable nozzle inserts Typ 0964
Required nozzle \varnothing by selection table depending from nozzle head

- see Straight Jet Threaded Nozzle
- see nozzle selection tables DK1 through DK4