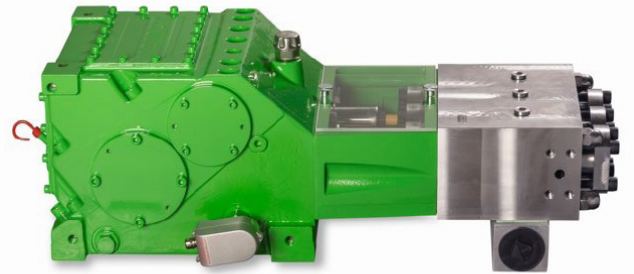
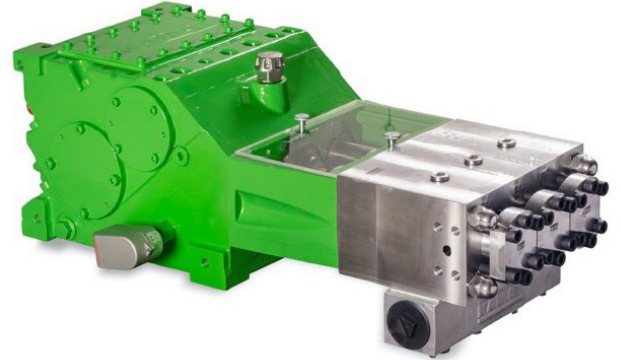


K8000-3G Triplex Plunger Pump

- ◆ Flow rate is based on 100% volumetric efficiency and 68° F (20° C) ambient temperature.
- ◆ Depending on fluid medium, a minimum inlet pressure is required.
- ◆ Depending on rod loading, speed range = 10-100%.
- ◆ Gear with splash lubrication.
- ◆ Standard Gear Ratios: $i = 2.75, 3.22$ and 3.68
- ◆ Weight: 551 lbs (250 kg)
- ◆ API 674 specifications (400 RPM) available upon request.
- ◆ Contact your local distributor or Giant Industries for use with special mediums. i.e. seawater, glycol, methanol, oil, etc.



Rated Speed 530 RPM			Pressure at specific power inputs								Pump Head Style		
Type	FLOW		60 Hp	45 kW	74 Hp	55 kW	80 Hp	60 kW	100 Hp	75 kW	A	M	M2
	GPM	L/min	PSI	Bar	PSI	Bar	PSI	Bar	PSI	Bar			
8010	2.4	9	36985	2550	45180	3115	49241	3395	50764	3500	1		
8012	3.4	13	25672	1770	31329	2160	34229	2360	42787	2950	1		
8014	4.8	18	18855	1300	23061	1590	25164	1735	31404	2165	1		
8016	6.3	24	14431	995	17622	1215	19218	1325	24077	1660	1		
8018	7.9	30	11386	785	13924	960	15229	1050	19000	1310	2		
8020	9.8	37	9210	635	11313	780	12328	850	15374	1060	2		
8022	11.9	45	7615	525	9355	645	10153	700	12691	875	2	1	
8024	14.3	54	6382	440	7832	540	8557	590	10660	735	2	1	
8026	16.6	63	5439	375	6672	460	7325	505	9138	630	2	1	
8028	19.3	73	4714	325	5729	395	6309	435	7832	540	2	1	
8030	22.2	84	4134	285	5004	345	5439	375	6817	470	2		1
8032	25.4	96	3626	250	4424	305	4786	330	6019	415	2		1
8036	32.0	121	2828	195	3481	240	3771	260	4786	330			1
8040	39.6	150	2321	160	2828	195	3046	210	3844	265			1
8045	50.2	190	1813	125	2248	155	2466	170	3046	210			1
8050	61.8	234	1450	100	1813	125	1958	135	2466	170			1
8055	74.8	283	1233	85	1523	105	1595	110	2031	140			1

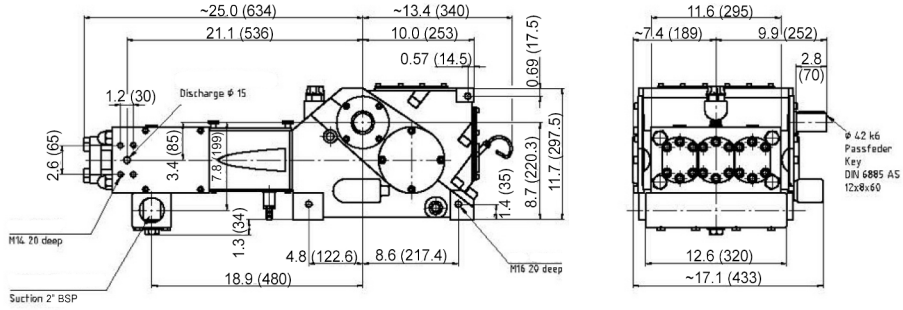


WARNING: This product might contain a chemical known to the State of California to cause cancer, and birth defects or other reproductive harm. For more information go to www.P65Warnings.ca.gov

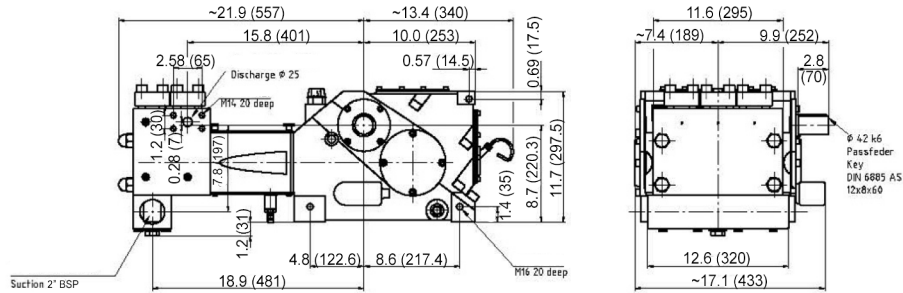
K8000-3G Triplex Plunger Pump

Pump Dimensions - mm(in)

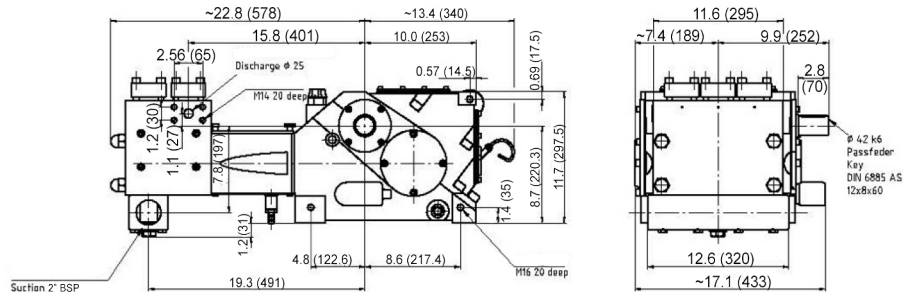
Type A



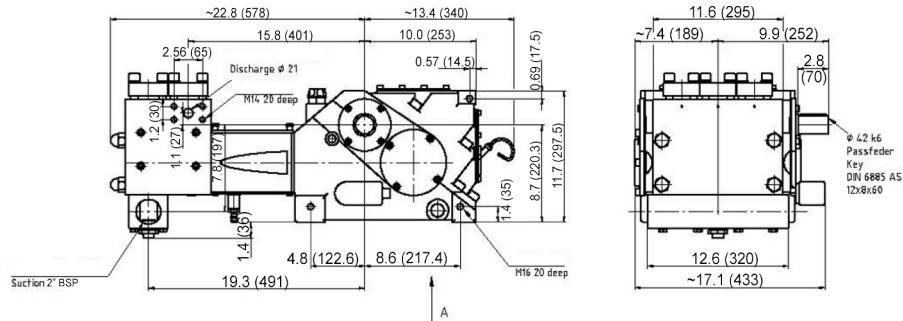
Type M



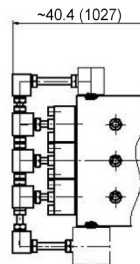
Type MC



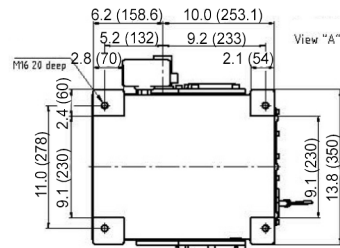
Type MCH



Type A
 \geq 21,755 PSI
 (1500 bar)



Footprint



View "A"