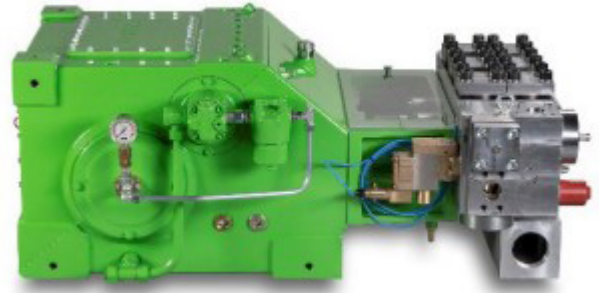
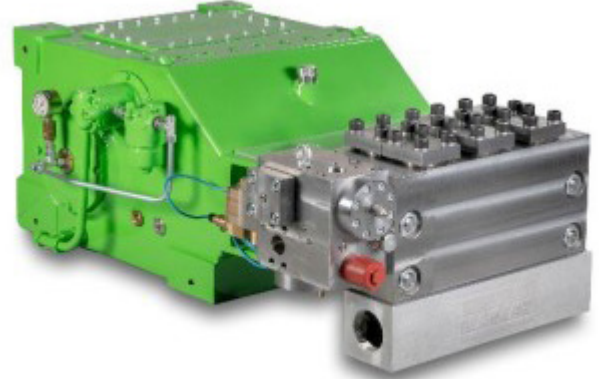


## K45000-3G Triplex Plunger Pump

P50

- ◆ Flow rate is based on 100% volumetric efficiency and 68° F (20° C) ambient temperature.
- ◆ Depending on fluid medium, a minimum inlet pressure is required.
- ◆ Depending on rod loading, speed range = 10-100%.
- ◆ Gear dynamically balanced
- ◆ Gear with force-fed lubrication with oil cooler.
- ◆ Standard Gear Ratios:  $i = 3.39, 4.05, 4.76$  and  $5.25$
- ◆ Weight: 2998 lbs (1360 kg)
- ◆ API 674 specifications (maximum 290 RPM) and vertical operation available upon request.
- ◆ Contact your local distributor or Giant Industries for use with special mediums. i.e. seawater, glycol, methanol, oil, etc.



Shown with unloader valve

Rated Speed 440 RPM			Pressure at specific power inputs								Pump Head Style		
Type	FLOW		422 Hp	315 kW	469 Hp	350 kW	536 Hp	400 kW	604 Hp	450 kW	A	M	M2
	GPM	L/min	PSI	Bar	PSI	Bar	PSI	Bar	PSI	Bar			
45020	15.3	58	41699	2875	46340	3195	50764	3500	-----	-----	1		
45022	18.5	70	34520	2380	38291	2640	43802	3020	49241	3395	1		
45024	22.2	84	29008	2000	32199	2220	36768	2535	41409	2855	1		
45026	25.9	98	24657	1700	27413	1890	31329	2160	35245	2430	1		
45028	30.1	114	21321	1470	23642	1630	27050	1865	30386	2095	1		
45030	34.6	131	18565	1280	20596	1420	23569	1625	26470	1825	1		
45032	39.4	149	16317	1125	18130	1250	20668	1425	23279	1605	1		
45036	49.7	188	12909	890	14286	985	16390	1130	18420	1270	2		
45040	61.3	232	10443	720	11603	800	13271	915	14939	1030	2	1	
45045	77.7	294	8267	570	9138	630	10443	720	11748	810	2	1	
45050	95.9	363	6672	460	7397	510	8485	585	9573	660	2	1	
45055	116.0	439	5512	380	6164	425	7034	485	7905	545		1	
45060	137.9	522	4641	320	5149	355	5874	405	6599	455		1	
45065	162.0	613	3916	270	4424	305	5004	345	5657	390		1	
45070	187.8	711	3408	235	3771	260	4351	300	4859	335			1
45075	215.6	816	2973	205	3263	225	3771	260	4206	290			1
45085	276.9	1048	2321	160	2538	175	2901	200	3336	230			1
45095	345.8	1309	1886	130	2031	140	2321	160	2611	180			1



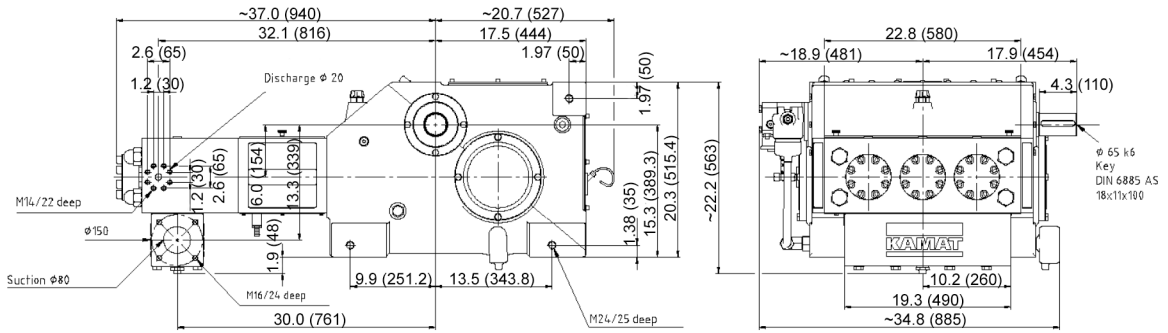
**WARNING:** This product might contain a chemical known to the State of California to cause cancer, and birth defects or other reproductive harm. For more information go to [www.P65Warnings.ca.gov](http://www.P65Warnings.ca.gov)

# K45000-3G Triplex Plunger Pump

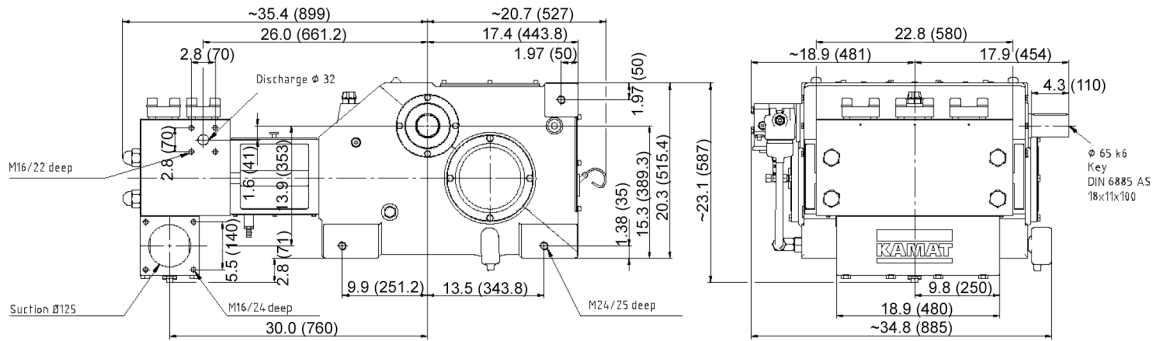
P50

## Pump Dimensions - mm(in)

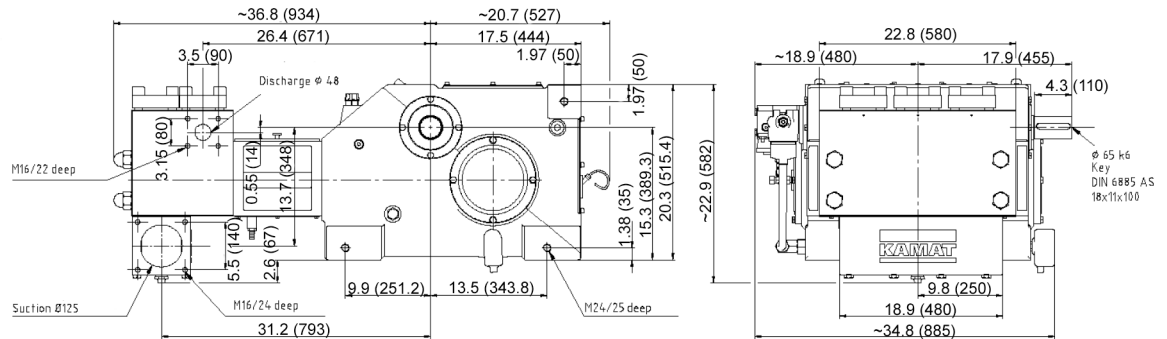
Type A2



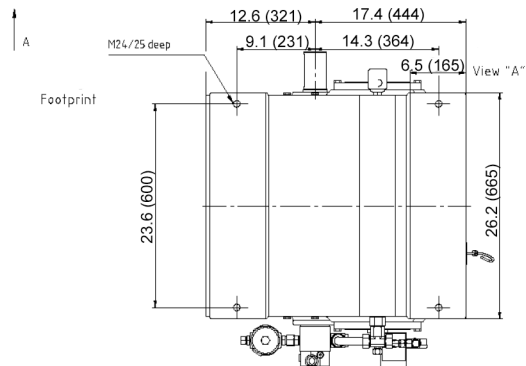
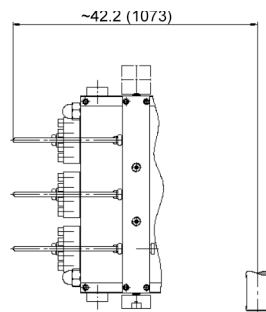
Type M1



Type M21



Type A1  
 $\geq 21,755$  PSI  
 (1500 bar)



**GIANT**  
 Performance Under Pressure

GIANT INDUSTRIES, INC.  
 900 N. Westwood Ave.  
 Toledo, Ohio 43607  
 Phone: (419) 531-4600  
 Fax: (419) 531-6836  
 www.giantpumps.com  
 © Copyright 2023 Giant Industries, Inc.