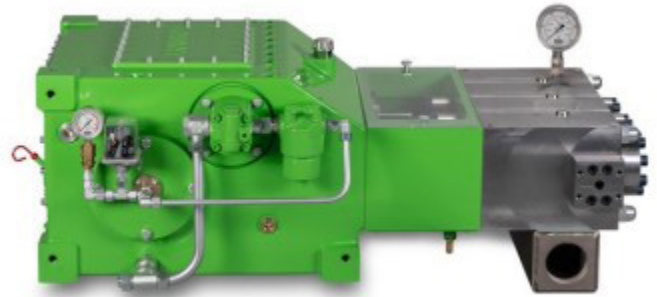
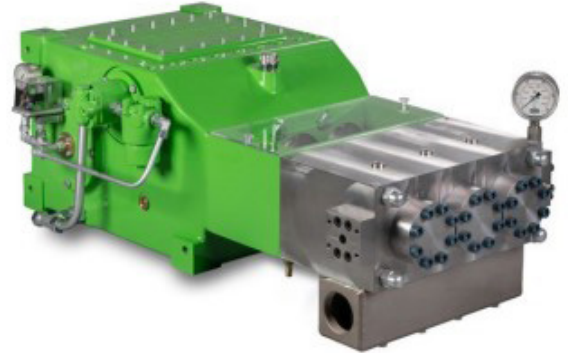


## K25000-3G Triplex Plunger Pump

P35

- ◆ Flow rate is based on 100% volumetric efficiency and 68° F (20° C) ambient temperature.
- ◆ Depending on fluid medium, a minimum inlet pressure is required.
- ◆ Depending on rod loading, speed range = 10-100%.
- ◆ Gear dynamically balanced
- ◆ Gear with force-fed lubrication (> 214 HP/160 kW with oil cooler).
- ◆ Standard Gear Ratios:  $i = 3.33, 3.50, 4.04, 4.62$  and  $5.44$
- ◆ Weight: 2127 lbs (965 kg)
- ◆ API 674 specifications (maximum 340 RPM) and vertical operation available upon request.
- ◆ Contact your local distributor or Giant Industries for use with special mediums. i.e. seawater, glycol, methanol, oil, etc.



Rated Speed 450 RPM			Pressure at specific power inputs								Pump Head Style		
Type	FLOW		177 Hp	132 kW	215 Hp	160 kW	268 Hp	200 kW	335 Hp	250 kW	A	M	M2
	GPM	L/min	PSI	Bar	PSI	Bar	PSI	Bar	PSI	Bar			
25018	10.8	41	24657	1700	29878	2060	37348	2575	46195	3185	1		
25020	13.5	51	19943	1375	24149	1665	30241	2085	37420	2580	1		
25022	16.4	62	16462	1135	20016	1380	24947	1720	30894	2130	1		
25024	19.3	73	13851	955	16825	1160	20958	1445	25962	1790	1		
25026	22.7	86	11821	815	14286	985	17912	1235	22119	1525	2		
25028	26.4	100	10153	700	12328	850	15447	1065	19073	1315	2		
25030	30.1	114	8847	610	10733	740	13416	925	16607	1145	2		
25032	34.3	130	7760	535	9428	650	11821	815	14649	1010	2	1	
25036	43.6	165	6164	425	7470	515	9355	645	11531	795	2	1	
25040	53.6	203	5004	345	6019	415	7542	520	9355	645	2	1	
25045	68.2	258	3916	270	4786	330	5947	410	7397	510	2	1	
25050	84.0	318	3191	220	3844	265	4859	335	6019	415	2	1	
25055	101.7	385	2611	180	3191	220	3989	275	4931	340		1	
25060	121.0	458	2248	155	2683	185	3336	230	4134	285		1	
25065	141.9	537	1886	130	2321	160	2828	195	3553	245		1	1
25070	164.6	623	1595	110	1958	135	2466	170	3046	210			1
25075	188.9	715	1450	100	1740	120	2176	150	2683	185			1
25085	242.8	919	1088	75	1305	90	1668	115	2103	145			1
25095	303.3	1148	870	60	1088	75	1305	90	1668	115			1



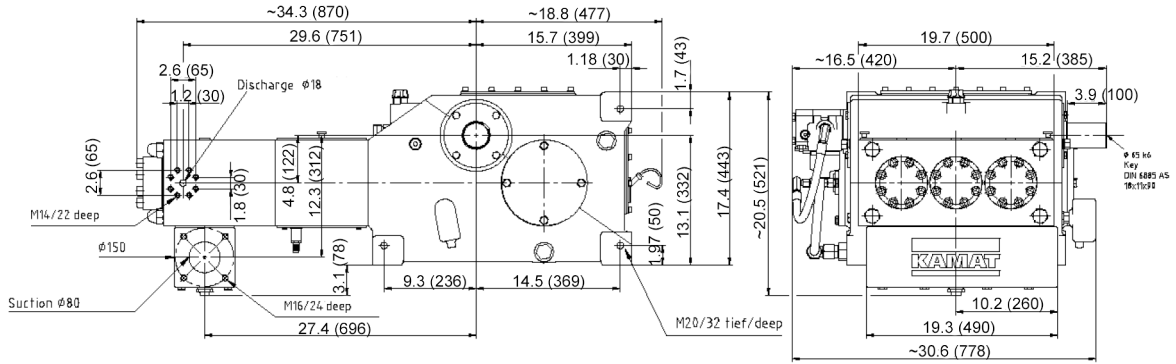
**WARNING:** This product might contain a chemical known to the State of California to cause cancer, and birth defects or other reproductive harm. For more information go to [www.P65Warnings.ca.gov](http://www.P65Warnings.ca.gov)

# K25000-3G Triplex Plunger Pump

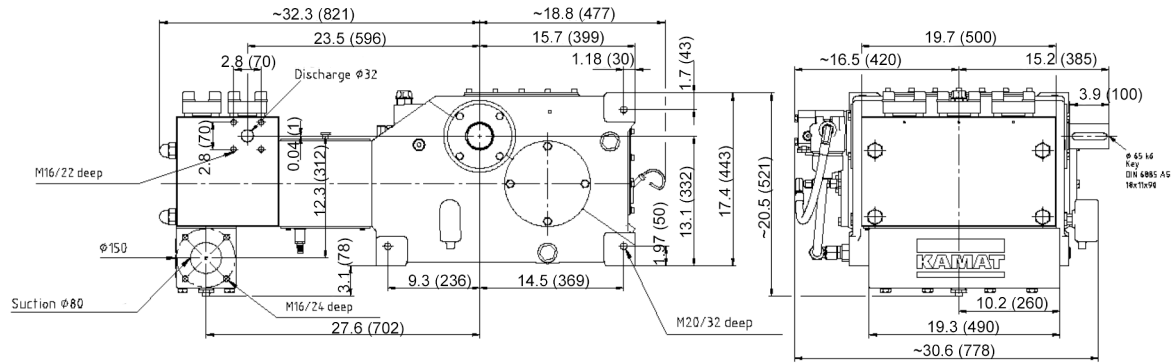
P35

## Pump Dimensions - mm(in)

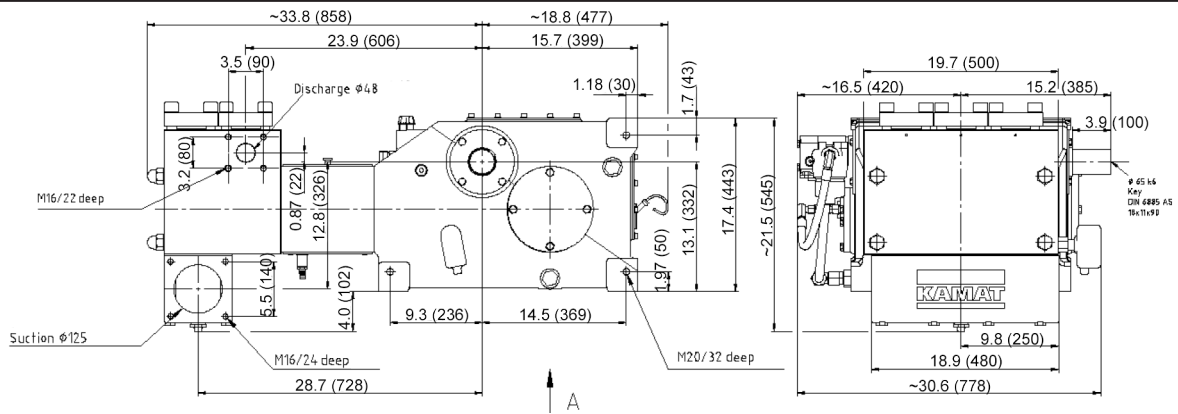
Type A2



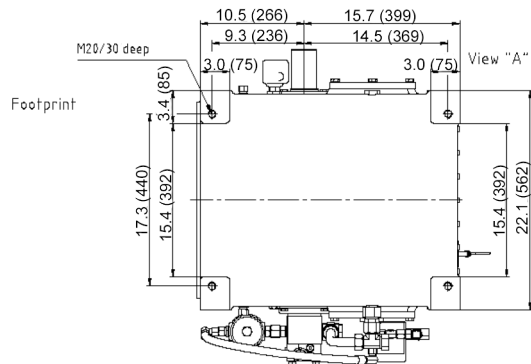
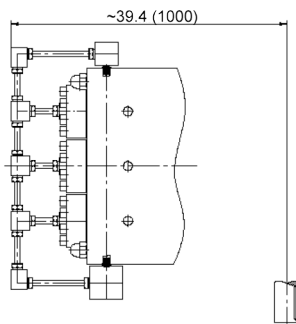
Type M1



Type M21



Type A1  
≥ 21,755 PSI  
(1500 bar)



**GIANT**  
Performance Under Pressure

**GIANT INDUSTRIES, INC.**  
900 N. Westwood Ave.  
Toledo, Ohio 43607  
Phone: (419) 531-4600  
Fax: (419) 531-6836  
www.giantpumps.com  
© Copyright 2022 Giant Industries, Inc.