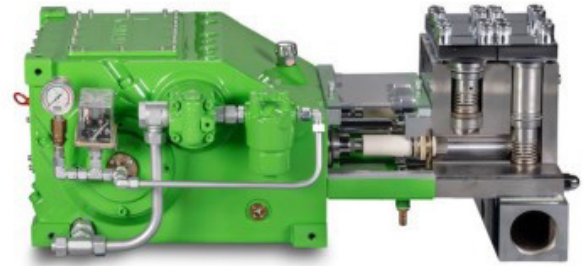
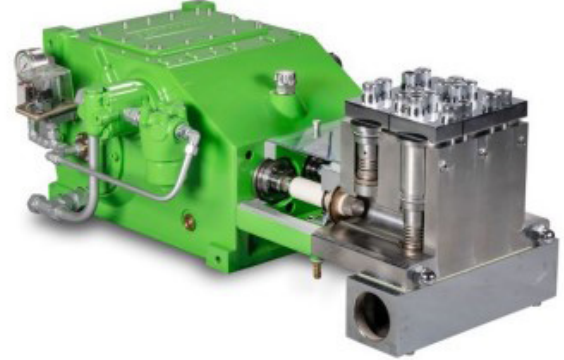


## K18000-3G Triplex Plunger Pump

- ◆ Flow rate is based on 100% volumetric efficiency and 68° F (20° C) ambient temperature.
- ◆ Depending on fluid medium, a minimum inlet pressure is required.
- ◆ Depending on rod loading, speed range = 10-100%.
- ◆ Gear dynamically balanced
- ◆ Gear with force-fed lubrication (> 174 HP [130 kW] with oil cooler).
- ◆ Standard Gear Ratios:  $i = 3.00, 3.14, 3.39, 3.76, 4.13, 4.50$  and  $4.93$
- ◆ Weight: 970 lbs (440 kg)
- ◆ API 674 specifications (maximum 340 RPM) available upon request.
- ◆ Contact your local distributor or Giant Industries for use with special mediums. i.e. seawater, glycol, methanol, oil, etc.



Rated Speed 500 RPM			Pressure at specific power inputs								Pump Head Style		
Type	FLOW		147 Hp	110 kW	177 Hp	132 kW	215 Hp	160 kW	241 Hp	180 kW	A	M	M2
	GPM	L/min	PSI	Bar	PSI	Bar	PSI	Bar	PSI	Bar			
18014	6.3	24	34882	2405	41844	2885	50764	3500	--	--	1		
18016	8.5	32	26687	1840	32054	2210	38871	2680	43294	2985	1		
18018	10.6	40	21103	1455	25309	1745	30676	2115	34229	2360	1		
18020	12.9	49	17115	1180	20523	1415	24874	1715	27703	1910	1		
18022	15.9	60	14141	975	16970	1170	20523	1415	22916	1580	2		
18024	18.8	71	11893	820	14214	980	17260	1190	19218	1325	2		
18026	22.2	84	10153	700	12111	835	14722	1015	16390	1130	2		
18028	25.6	97	8702	600	10443	720	12691	875	14141	975	2	1	
18030	29.3	111	7615	525	9138	630	11023	760	12328	850	2	1	
18032	33.6	127	6672	460	8050	555	9718	670	10805	745	2	1	
18036	42.3	160	5294	365	6309	435	7687	530	8557	590	2		1
18040	52.3	198	4279	295	5149	355	6237	430	6962	480			1
18045	66.1	250	3408	235	4061	280	4931	340	5439	375			1
18050	81.6	309	2756	190	3263	225	3989	275	4424	305			1
18055	98.8	374	2248	155	2683	185	3263	225	3699	255			1
18060	117.6	445	1886	130	2248	155	2756	190	3046	210			1
18065	137.9	522	1595	110	1958	135	2321	160	2611	180			1

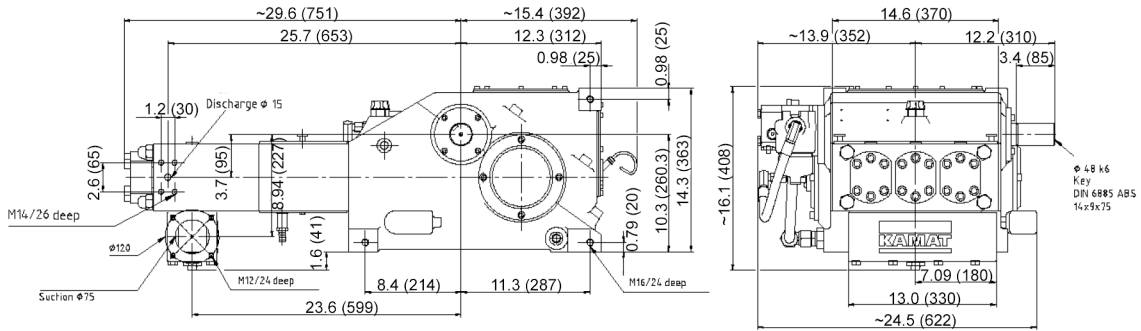


**WARNING:** This product might contain a chemical known to the State of California to cause cancer, and birth defects or other reproductive harm. For more information go to [www.P65Warnings.ca.gov](http://www.P65Warnings.ca.gov)

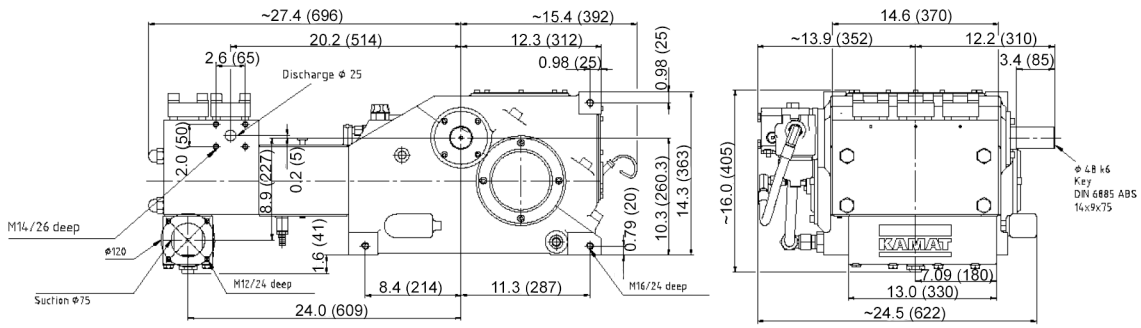
# K18000-3G Triplex Plunger Pump

## Pump Dimensions - mm(in)

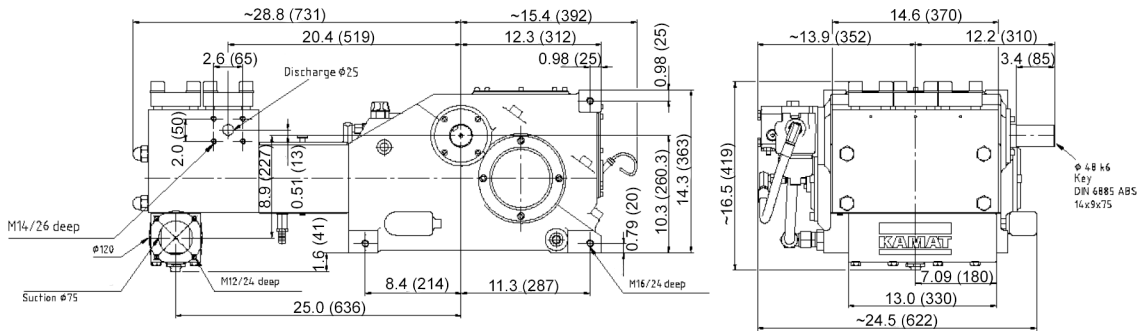
Type A2



Type M1

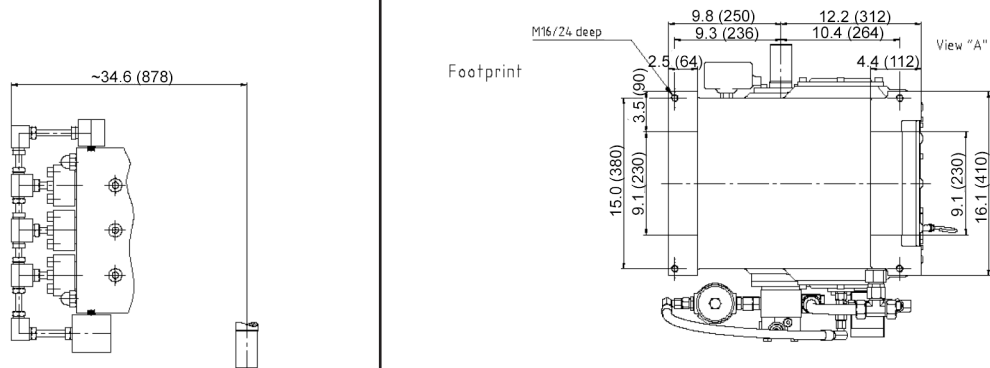


Type M21



A

Type A1  
 $\geq$  21,755 PSI  
 (1500 bar)



**GIANT INDUSTRIES, INC.**  
 900 N. Westwood Ave.  
 Toledo, Ohio 43607  
 Phone: (419) 531-4600  
 Fax: (419) 531-6836  
 www.giantpumps.com  
 © Copyright 2022 Giant Industries, Inc.