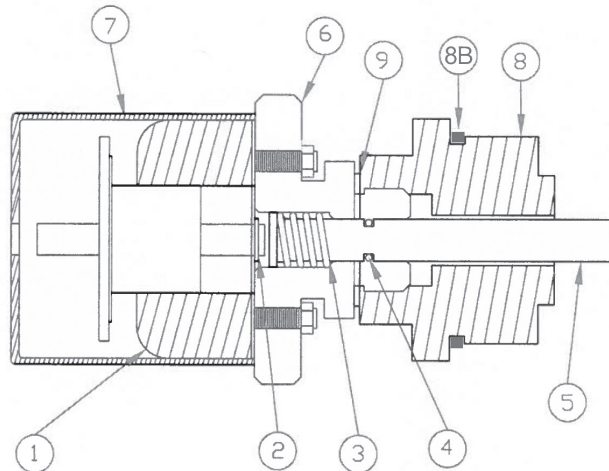


# Model 22741SB

## Electric Pulsator Valve

FOR USE ON  
LP122A/LP123/LP255

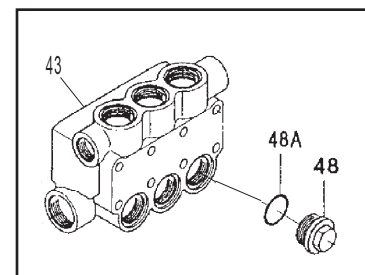


Item	Part #	Description	Quantity
1	06940	Solenoid	1
2	05155	E-Clip	1
3	12328	Return Spring	1
4	07937	O-Ring	1
5	04206	Pulsator Rod	1
6	06499S	Nut	1
7	06979	Cover for Solenoid	1
8	04207	Pulsator Cap	1
8B	12055	O-Ring	1
9	08541	Crush Washer	1

\*Note: Before installation move #5 pulsator rod a few times as assembly grease may set during shipping.

### ASSEMBLY OF THE 22741SB

- 1) Take plug (48) out of the middle inlet position of the valve casing (43).
- 2) Thread complete pulsator valve assembly into the valve casing (43) of the pump.
- 3) If a cover (5) is required, thread wires through exit hole and snap onto nut (6). Note: Do not rotate cover (5).



**GIANT**  
Performance Under Pressure

**Giant Industries, Inc.**  
900 N. Westwood Ave.  
Toledo, Ohio 43607  
(419) 531-4600  
FAX (419) 531-6836  
www.giantpumps.com



**WARNING:** This product might contain a chemical known to the State of California to cause cancer, and birth defects or other reproductive harm.

For more information go to [www.P65Warnings.ca.gov](http://www.P65Warnings.ca.gov)