

YEARS

**GIANT 50 YEARS**

**PERFORMANCE UNDER PRESSURE**

**1972-2022**

*Without our associates, customers, suppliers and friends,  
50 years would not have been possible.*

PUMPS | ACCESSORIES | CUSTOM UNITS | TOWELS

GIANTPUMPS.COM

## Our Vision, Mission & Core Values

We would like to share our vision, mission and core values with you.

### Our Vision

Giant Industries develops professionals to their full potential by working as a team and partnering with our customers and suppliers to provide superior solutions.

### Our Mission

Giant will create mutually beneficial partnerships with employees, customers and suppliers. In addition, we will supply high pressure pumps, accessories, towels as well as customized solutions. Finally, Giant will positively contribute to our community and the environment.

### Our Core Values

**Ethical** – Doing the right thing

**Trustworthy** – Honest and Reliable

**Accountable** – Responsible for our actions (corporately and individually)

**Respectful** – Courteous interaction with others

**Teamwork** – Working together towards a common cause

**Communication** – Exchange of pertinent information

**Perseverance** – Determination to achieve our Mission

**Motivated** – Driven to accomplish our goals

**Loyalty** – Value our relationships with employees, customers and suppliers

**Quality of Life** – Enjoy our time

# Giant Industries Celebrates

## 50 Years in Business

S e r v i n g   I n d u s t r y   s i n c e   1 9 7 2



In 1972, Ray Simon founded the Giant Towel Company. These towels were sold throughout North America to car wash OEM's and distributors. In the mid-1970's, Ray became the North American distributor for the German pump manufacturer Speck Kolbenpumpen Fabrik. Speck provided a unique line of pumps and accessories that gained quick acceptance for use by OEM's and distributors in the pressure washer, car wash and sewer cleaning markets. The high quality German pump products became popular in many industrial applications as well.

To complement the German-made pumps and accessories, and to address some unique requirements for pumps and accessories in the North American market, Giant started to build its own line of accessories, including shut-off guns, accumulators and unloaders. As Giant's products gained acceptance and the company expanded its product offerings, manufacturing requirements increased and the company acquired new facilities.

In the 1980's, Giant began to provide pump and motor units for the pressure washer market. At the same time, Giant started to make more axial pumps in Toledo, which required further expansion and another facility. This current facility has allowed Giant to bring in machining centers and production lines to meet market demands. At our current location, Giant manufactures axial and plunger pumps, pump systems and various towel products. As we continued to grow our manufacturing base, Giant was asked to supply more than just pumps, so it started to produce customer units and pump systems for a variety of applications. These custom units help our customers concentrate on what makes them profitable. With a gear end capable of handling 1500 HP, the Kamat line of German pumps and accessories allows Giant to provide pumps and pump systems with a volume exceeding 1200 GPM and pressures in excess of 50,000 PSI.

Giant is proud to continue our leadership with the next generation of the Simon family. Ed Simon has been the president of Giant for the last 20 years and is excited to continue to guide Giant as we begin its next 50 years. With a grateful heart, Ed thanks all of our associates, customers, friends and suppliers as well as the support from our local Toledo community for making our first 50 years successful.



Courtesy of The Blade



Performance Under Pressure

**Giant Industries, Inc.**  
900 N. Westwood Ave.  
Toledo, OH 43607  
(419) 531-4600 - Phone  
(419) 531-6836 - Fax  
[www.giantpumps.com](http://www.giantpumps.com)

# TABLE OF CONTENTS

Giant Pumps	Page
Pump Quick Reference Chart.....	4-5
Towels.....	6
Consumer Pumps (GXR, GX2525) .....	8-9
P200 Series.....	10-13
P300 Series.....	14-17
P400 Series.....	19-29
P46, P47, P49 .....	30
P57 .....	31
P54, P58, P59 .....	32
P55, P56.....	33
SP100W, SP200W, SP351W .....	35
MP Series.....	36-37
P500 Series.....	38-39
LP Series.....	40-52
GP Series.....	54-77
Corrosion Resistant Pumps.....	78-79
High Temperature Pumps.....	80-81
CO <sub>2</sub> Pumps .....	82
Machine Tool Pumps .....	83
Bentonite Pumps .....	84
Pentane Pumps.....	85
<b>Accessories</b>	
Shut-Off Guns, Gun Assemblies.....	86-89
Lances, Handles.....	90-91
Rotating Nozzles .....	92-96
Standard Rotating Nozzles	
Oscillating Nozzles	
Hydroexcavating Nozzle	
Sewer Cleaning Nozzles	
Area Cleaner	
Turbo Nozzle Accessories	
Unloaders .....	97-101
Regulators .....	102-104
Flow Actuated Unloaders.....	105
Pump Savers & Safety Devices.....	106-112
Accumulators	
Pop-Off Valves/Relief Valves	
Filter	
Pulsator Valves	
Electric Clutch	
Oil	
Foot Valve	
Thermal Relief Valves	
Pressure Switches	
Injectors	
Pressure Gauges	
Couplings	
Kamat Pumps.....	114-124
Kamat Accessories.....	126-140



## 2022 Giant Pump Quick Reference Chart

Base Pumps Only - For Specialty Applications Refer to Table of Contents  
(Arranged by Flow - Gallons per Minute)

Pump Model	Flow (GPM)	Pressure (PSI)	Speed (RPM)	Page #	Pump Model	Flow (GPM)	Pressure (PSI)	Speed (RPM)	Page #
P205	0.5	2500	1750	12	P220	4.7	2500	1750	12
P206	0.8	2500	1750	12	P316	4.7	2750	1750	16
P48	0.8	3000	1420	30	P322	4.7	3000	1750	16
P207	0.9	2500	1750	12	P324	4.8	2200	1450	16
P208	1.0	2500	1750	12	P319	4.8	2750	3450	16
P230	1.1	2500	1750	12	P332	4.8	3000	1450	16
P47	1.2	3000	1420	30	P325	4.8	3045	3450	16
P57	1.3	5000	1420	31	GP5114	4.8	17,400	1000	54
P209	1.5	2500	1750	12	P55W	4.9	2320	1420	33
P226	1.5	3000	1750	12	P58	5.0	3500	1450	32
P210	1.8	2500	1750	12	P485	5.3	7250	1450	20
P230	2.0	2500	3450	12	P455B	5.5	4350	1450	22
P227	2.1	2500	1750	12	P450	5.5	5100	1450	22
P211	2.1	2500	1750	12	GP5116	5.5	14,500	850	54
P221	2.3	2500	1750	12	P456B	5.8	5100	1725	22
GXR Series	2.4	2400	3450	8	P451	5.8	5100	1725	22
GX Series	2.5	2500	3450	9	LP900	6.0	8700	1000	40
P49	2.7	2200	1420	30	P56W	6.1	1900	1420	33
P327	2.9	3500	3450	16	P465	6.3	5800	1450	20
P223	3.0	3000	3450	12	P330	6.5	1000	3450	16
P414	3.1	10,150	1450	19	P435	6.6	3625	1450	22
P480	3.2	7250	1450	19	SP351W	6.7	3200	1420	35
P217	3.3	2500	3450	12	P59	7.5	1900	1450	32
LP1000	3.4	15,000	1000	40	LP700	7.9	7250	1000	41
P218	3.4	2500	1750	12	LP750	7.9	7250	1000	41
P317	3.5	3350	1750	16	P423	8.2	2900	1450	24
P323	3.5	3685	1750	16	MP4120	8.9	3625	1450	36
P340	3.7	4000	1750	16	SP200W	9.6	2175	1420	35
P321	3.8	3500	3450	16	LP460	9.8	5800	1000	43
P314	3.8	4000	3450	16	LP600	9.8	5800	1000	42
P460	3.8	7250	1450	19	P422	9.9	3000	1450	24
P46W	3.9	2200	1420	30	GP7122	9.9	10,150	750	62
P54W	4.0	4060	1450	32	LP605	10.6	6090	1100	44
P328	4.1	3500	3450	16	GP5120	10.6	8700	1000	55
P329	4.1	4000	3450	16	P425	10.7	2465	1450	24
P219	4.2	2500	1750	12	SP100W	11.2	2000	1420	35
LP800	4.6	11,600	1000	40	GP5122	11.9	7250	930	55
P318	4.8	2000	1450	16	LP470	12.2	4640	1000	43

# 2022 Giant Pump Quick Reference Chart

Base Pumps Only - For Specialty Applications Refer to Table of Contents  
(Arranged by Flow - Gallons per Minute)

Pump Model	Flow (GPM)	Pressure (PSI)	Speed (RPM)	Page #
GP7124A-4000	12.7	7250	750	62
P420A	12.8	2175	1450	24
MP4124	12.8	3000	1450	36
GP6124	12.8	6090	800	60
GP5124	13.2	5800	850	55
MP4135	13.5	1885	1100	36
LP301A	14.2	4000	1000	46
LP400	15.1	3600	1000	48
MP4130	15.4	2000	1100	36
P490	15.7	2030	1450	26
LP305	15.9	4060	1100	44
LP650	15.9	6000	1080	45
MP4126	17.9	1600	1100	36
GP7128	17.9	5800	750	63
GP6128	18.0	4350	800	60
P470	18.4	2030	1450	26
LP200	19.0	2900	1000	49
LP450	19.7	2600	1000	48
GP5128	20.6	4060	1000	56
LP350	22.6	2300	1000	48
P533	22.7	2175	1450	38
GP7132	23.4	4350	750	63
GP6132	23.5	3045	800	61
P532	24.4	2175	1450	38
LP255	26.0	2175	1000	52
LP250	26.0	2200	1000	49
P536	26.4	1740	1450	38
GP5132	27.7	2900	1000	56
GP7136	28.3	3625	750	63
GP8035/8135	29.0	7250	580	70/71
LP121A	32.5	1740	1000	49
GP5136	33.8	2320	910	56
LP122A	35.4	1300	800	52
LP123	35.4	1300	800	52
P540	35.4	1450	1450	39
P541	35.4	1450	1450	39
GP6140	36.7	2175	800	61

Pump Model	Flow (GPM)	Pressure (PSI)	Speed (RPM)	Page #
GP8040/8140	38.0	5510	580	70/71
GP7142	38.4	2610	700	65
GP5142	40.4	1885	800	56
GP5145	43.5	1450	750	56
GP6145	46.5	1740	800	56
GP7145	47.5	3000	750	65
GP8045/8145	48.8	4350	580	72/74
GP7150	54.4	1900	700	65
GP7645	55.5	3000	800	67
GP8048/8148	56.3	3770	580	72/74
GP7155	65.8	1500	700	65
GP7255A	65.8	1500	700	65
GP7650	69.7	2540	800	67
GP8055/8155	75.3	3000	580	72/74
GP7655	84.5	2000	800	67
GP8060/8160	90.0	2465	580	72/74
GP8065/8165	105.7	2000	580	72/74
GP8076/8176	132.0	1500	520	72/74

KAMAT PUMPS				
K100A	1.8*	29,000*	1000	114
K4500-3G	61.3*	43,511*	650	115
K8000-3G	74.8*	50,764*	530	116
K9000-3G	74.8*	45,543*	530	117
K11000-3G	119.9*	38,653*	435	118
K18000-3G	137.9*	50,764*	500	119
K25000-3G	303.3*	46,195*	450	120
K45000-3G	345.8*	50,764*	440	121
K55000-5G	505.4*	50,764*	450	122
K100000-5G	919.9*	50,764*	440	123
K150000-5G	1235.5*	50,764*	320	124

\*Maximum flow and pressure given. **Given flows and pressures can not be combined.** Please refer to product page for possible flow and pressure combinations.

## Aqua Towel

Strong enough to hold up to heavy wiping.  
Long lasting, highly absorbent, lint free.

Product #T50BB (18" x 27")  
Packed 180 per case  
Shipping weight: 711 lbs.  
70 Boxes per Pallet

Product #T25BB (18" x 17.5")  
(Wrapped Towel/Lemon Scented)  
Packed 360 per case  
Shipping weight: 495 lbs.  
36 Boxes per Pallet



## Super Towel

Luxurious thickness,  
full-bodied towel.  
The Giant of all towels.

Product #T2000S (19" x 27")  
Packed 180 per case  
Shipping weight: 404 lbs.  
36 Boxes per Pallet



## Moistwipe

One step pre-moistened cloth  
like towel, dries without streaking,  
Lemon fresh scent.

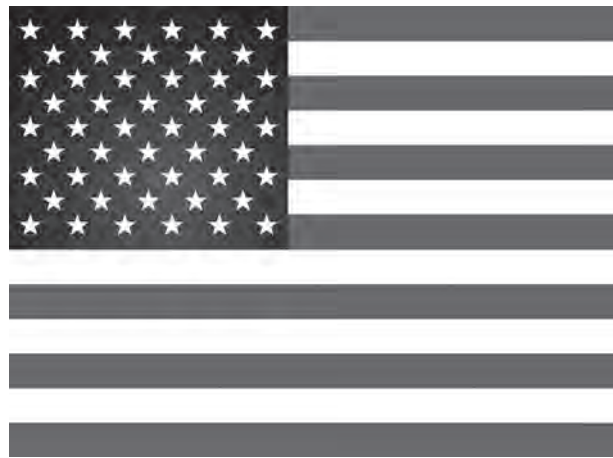
Product #T-3000 (12" x 11.5")  
(Wrapped Towel/Lemon Scented)  
Packed 180 per case  
Shipping weight: 1025 lbs.  
96 Boxes per Pallet



Contact your local Giant  
distributor for current pricing.

# COMMERCIAL PUMPS

(pages 8-17)





## GXR Series

List Price \$309.75

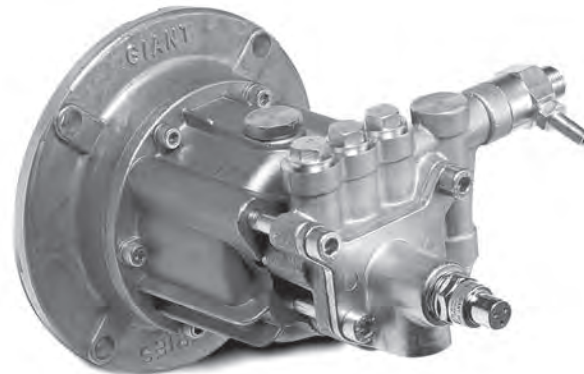
### GXR Vertical or Horizontal Pump with Regulator Includes Siphon Injector, Thermal Relief Valve & Engine Mounting Accessories



	U.S.	(Metric)
--	------	----------

<b>GXR2224</b>		
Flow .....	2.2 GPM.....	(8.3 LPM)
Pressure .....	2400 PSI.....	(165 Bar)
Speed .....	3450 RPM	

<b>GXR2424</b>		
Flow .....	2.4 GPM.....	(9.0 LPM)
Pressure .....	2400 PSI.....	(165 Bar)
Speed .....	3450 RPM	



#### Common Specifications & Materials

	U.S.	(Metric)
Max Inlet Temp .....	80 °F.....	(27 °C)
Weight .....	9 lbs.....	(4.1 kg)
Inlet Port .....	1/2" NPT	
Discharge Port.....	3/8" NPT	

**Materials Used**

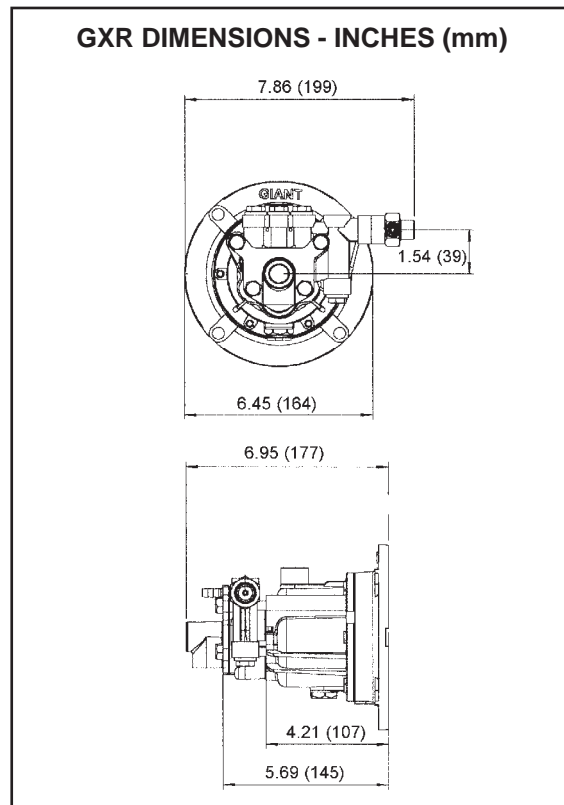
Manifold.....	Brass
Plunger .....	Stainless Steel
Valves.....	Polyamide
Seals.....	Nitrile with fabric reinforcing
Crankcase .....	Aluminum

#### Repair Kits

Kit	Part Number	List Price
Plunger Packing Kit	09465	\$31.98
Valve Kit	09466	\$12.55
Oil Seal Kit	09468	\$8.24
Regulator Repair Kit	09534	\$10.86

#### Mounting Accessories

	Part Number	List Price
Gas Engine (3.62" Bolt Circle)	09103	\$14.67
Electric Motor - (5/8" w/NEMA 56C Face)	09134	\$53.57



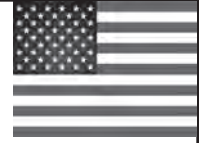
**GX2525**

List Price \$336.00

**GX2525A\***

List Price \$383.25

## GX Vertical or Horizontal Pump with Unloader Includes Siphon Injector, Thermal Relief Valve & Engine Mounting Accessories



\* Pump with 7/8" steel shaft - retrofit pump for Ex-cell XR Series pressure washers

	U.S.	(Metric)
--	------	----------

**GX2525/ GX2525A\***

Flow .....	2.5 GPM.....	(9.5 LPM)
Pressure .....	2500 PSI.....	(172 Bar)
Speed .....	3450 RPM	
Horsepower: .....	4.3 BHP.....	(3.2 kW)



**Common Specifications & Materials**

	U.S.	(Metric)
Max Inlet Temp .....	80 °F .....	(27 °C)
Weight .....	9 lbs. ....	(4.1 kg)
Inlet Port .....	1/2" NPT	
Discharge Port.....	3/8" NPT	

**Materials Used**

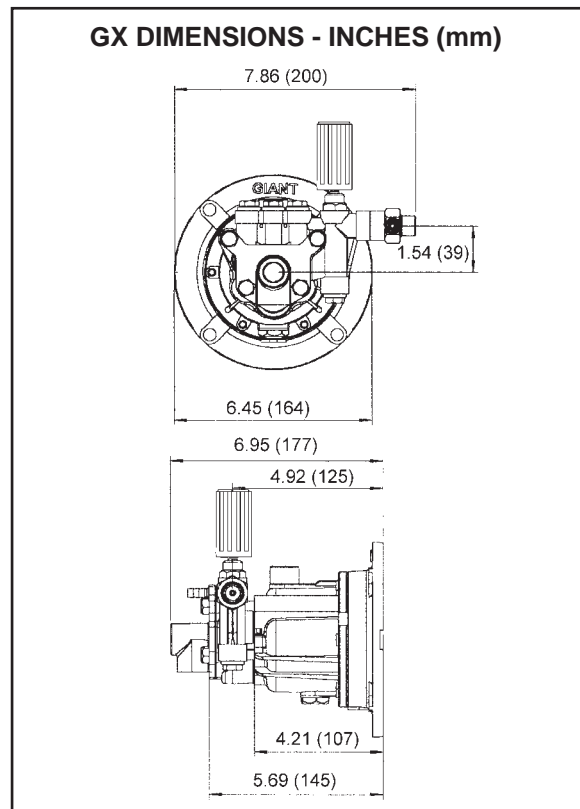
Manifold .....	Brass
Plunger .....	Stainless Steel
Valves .....	Polyamide
Seals.....	Nitrile with fabric reinforcing
Crankcase .....	Aluminum

**Repair Kits**

Kit	Part Number	List Price
Plunger Packing Kit	09465	\$31.98
Valve Kit	09466	\$12.55
Oil Seal Kit	09468	\$8.24
Unloader Repair Kit	09467	\$11.43

**Mounting Accessories**

	Part Number	List Price
Gas Engine (3.62" Bolt Circle)	09103	\$14.67
Gas Engine (GX2525A* 3.62" Bolt Circle)	09605	\$20.69
Electric Motor Kit - (5/8" w/ NEMA 56C Face)	09134	\$53.57



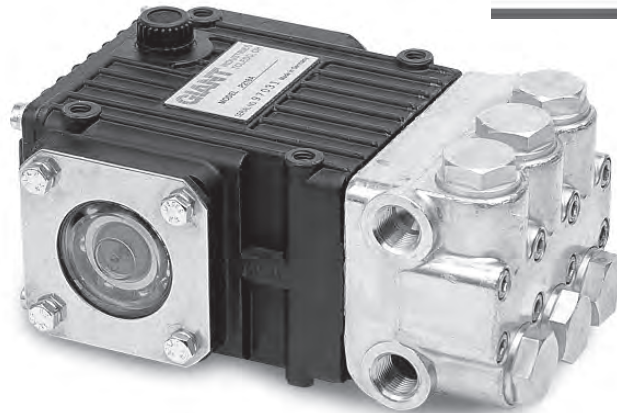


### Common Specifications & Materials

	U.S.	(Metric)
Max Inlet Temp .....	160 °F	(70 °C)
Weight .....	11.7 lbs.	(5.3 kg)
Inlet Port .....	(2) 1/2" BSP	
Discharge Port.....	(2) 3/8" BSP	

### Materials Used

Manifold.....	Special Brass
Plunger .....	Solid ceramic oxide
Valves .....	High Grade Stainless Steel
Seals.....	Nitrile with fabric reinforcing
Crankcase .....	Aluminum



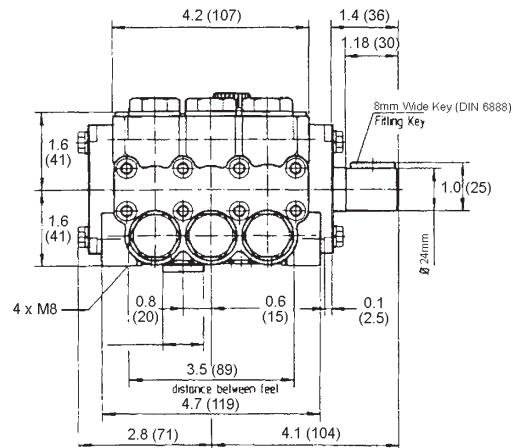
### Repair Kits

Kit	Part Number	List Price
Plunger Packing Kit (12mm)	09152	\$102.70
Plunger Packing Kit (16mm)	09525	\$66.44
Plunger Packing Kit (18mm)	09164	\$99.23
Valve Kit	09116	\$93.90
Oil Seal Kit	09144	\$7.98

### Belt Drive Mounting Accessories

	Part Number	List Price
<b>Bushings</b>		
24mm Tapered H Bushing	01074	\$27.83
<b>Steel Box Rails</b>		
(L=9.25"xW=1.18"xH=1.62")	01034	\$168.00
<b>Plated Steel Channel Rails</b>		
(L=5.75"xW=1.00"xH=2.50")	01161	\$48.14
<b>Plated Steel Channel Rails</b>		
(L=5.75"xW=1.00"xH=2.50")	01162	\$70.09

### P200 DIMENSIONS - INCHES (mm)



## P200 Series Direct Drive



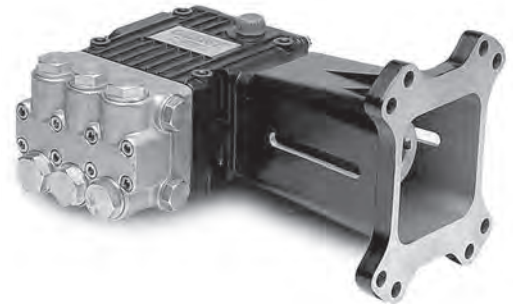
### Electric Drive

Part Number	Connection to Electric Motor Type	List Price
01155	NEMA 56C	\$31.50
06495	NEMA 182TC, 184TC, 213TC, 215TC	\$58.59
01130	IEC B5	\$105.00



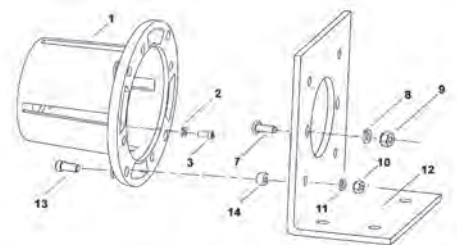
### Gas Drive

Part Number	Connection to Engine Type	List Price
01155 & 09103	Adapts pump to most 3.5, 4.0, 5.5, 6.5 HP gas engines with a 3.62" bolt circle	\$31.50 \$14.67
06478	Fits gas engines with J609B mounting	\$89.25
<b>Gear Boxes for</b>		
08499A	Gearbox, J609B	\$497.02



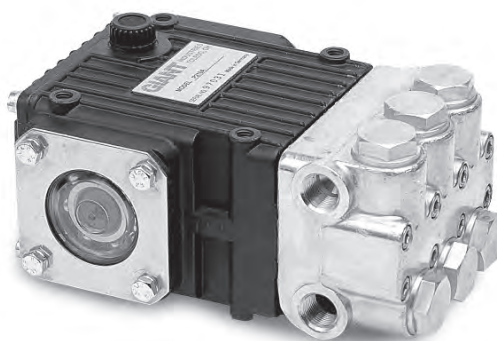
### Hydraulic Kit

Part Number		List Price
HK-P2/300	Adapts to SAE - "A" 2 Bolt hydraulic motor	\$168.00





# P200 Series



Model	Flow	Pressure Continuous/ Intermittent	Speed	Power Required	Plunger Diameter	Stroke	Price
	GPM (LPM)	PSI (Bar)	RPM	HP (kW)	in (mm)	in (mm)	
P205	0.5 (1.9)	2000 (140) / 2500 (170)	1750	0.86 (0.64)	0.47 (12)	0.13 (3.4)	\$829.50
P206	0.8 (3.0)	2000 (140) / 2500 (170)	1750	1.38 (1.03)	0.47 (12)	0.22 (5.5)	\$829.50
P207	0.9 (3.4)	2000 (140) / 2500 (170)	1750	1.55 (1.16)	0.47 (12)	0.25 (6.3)	\$829.50
P205	0.9 (3.4)	2000 (140)	3450	1.2 (0.9)	0.47 (12)	0.13 (3.4)	\$829.50
P208	1.0 (3.8)	2000 (140) / 2500 (170)	1750	1.72 (1.28)	0.47 (12)	0.28 (7.0)	\$829.50
P230	1.1 (4.2)	2000 (140) / 2500 (170)	1750	1.90 (1.42)	0.71 (18)	0.13 (3.4)	\$829.50
P206	1.5 (5.7)	2000 (140)	3450	2.1 (1.5)	0.47 (12)	0.22 (5.5)	\$829.50
P209	1.5 (5.7)	2000 (140) / 2500 (170)	1750	2.59 (1.93)	0.47 (12)	0.39 (10)	\$829.50
P226	1.5 (5.7)	2000 (140) / 3000 (200)	1750	6.2 (4.6)	0.63 (16)	0.64 (6.3)	\$829.50
P207	1.7 (6.4)	2000 (140)	3450	3.7 (2.8)	0.47 (12)	0.25 (6.3)	\$829.50
P223	1.7 (6.4)	2000 (140) / 3000 (200)	1750	3.5 (2.6)	0.63 (16)	0.64 (6.3)	\$829.50
P217	1.8 (6.8)	2000 (140) / 2500 (170)	1750	3.1 (2.3)	0.71 (18)	0.22 (5.5)	\$829.50
P210	1.8 (6.8)	2000 (140) / 2500 (170)	1750	3.1 (2.3)	0.47 (12)	0.28 (7.0)	\$829.50
P208	1.9 (7.2)	2000 (140) / 2500 (170)	3450	3.7 (2.8)	0.47 (12)	0.28 (7.0)	\$829.50
P230	2.0 (7.6)	2000 (140) / 2500 (170)	3450	3.5 (2.6)	0.71 (18)	0.13 (3.4)	\$829.50
P227	2.1 (8.0)	2000 (140) / 2500 (170)	1750	3.6 (2.7)	0.71 (18)	0.25 (6.3)	\$829.50
P211	2.1 (8.0)	2000 (140) / 2500 (170)	1750	3.6 (2.7)	0.47 (12)	0.28 (7.0)	\$829.50
P221	2.3 (8.9)	2000 (140) / 2500 (170)	1750	4.0 (2.9)	0.71 (18)	0.28 (7.0)	\$829.50
P209	2.7 (10.2)	2000 (140)	3450	6.2 (4.6)	0.47 (12)	0.64 (6.3)	\$829.50
P223	3.0 (11.4)	2000 (140) / 3000 (200)	3450	6.2 (4.6)	0.63 (16)	0.64 (6.3)	\$829.50
P217	3.3 (12.5)	2000 (140) / 2500 (170)	3450	5.7 (4.3)	0.71 (18)	0.22 (5.5)	\$829.50
P210	3.3 (12.5)	2000 (140)	3450	4.6 (3.4)	0.47 (12)	0.28 (7.0)	\$829.50
P218	3.4 (12.9)	2000 (140) / 2500 (170)	1750	5.9 (4.4)	0.71 (18)	0.39 (10)	\$829.50
P211	3.8 (14.4)	2000 (140)	3450	7.2 (5.4)	0.47 (12)	0.28 (7.0)	\$829.50
P227	3.8 (14.4)	2000 (140) / 2500 (170)	3450	6.6 (4.9)	0.71 (18)	0.25 (6.3)	\$829.50
P219	4.2 (15.9)	2000 (140) / 2500 (170)	1750	7.2 (5.4)	0.71 (18)	0.49 (12.4)	\$829.50
P221	4.2 (15.9)	2000 (140) / 2500 (170)	3450	7.2 (5.4)	0.71 (18)	0.28 (7.0)	\$829.50
P220	4.7 (17.8)	2000 (140) / 2500 (170)	1750	8.1 (6.0)	0.71 (18)	0.56 (14.1)	\$829.50

# P200 Series Numbering Chart



	Pump	LH/RH	DRIVE	SHAFT	BACKEND	UNLOADER	INJECTOR SIZE	THERMAL	OIL	
<b>Pump Model</b>	<b>P205</b>	0.5 GPM @ 2000 PSI @ 1750 RPM and 0.9 GPM @ 2500 PSI @ 3450 RPM								
	<b>P206</b>	0.8 GPM @ 2000 PSI @ 1750 RPM and 1.5 GPM @ 2500 PSI @ 3450 RPM								
	<b>P207</b>	0.9 GPM @ 2000 PSI @ 1750 RPM and 1.7 GPM @ 2000 PSI @ 3450 RPM								
	<b>P208</b>	1.0 GPM @ 2000 PSI @ 1750 RPM and 1.9 GPM @ 2500 PSI @ 3450 RPM								
	<b>P230</b>	1.1 GPM @ 2500 PSI @ 1750 RPM and 2.0 GPM @ 2500 PSI @ 3450 RPM								
	<b>P209</b>	1.5 GPM @ 2000 PSI @ 1750 RPM and 2.7 GPM @ 2500 PSI @ 3450 RPM								
	<b>P226</b>	1.5 GPM @ 2000 PSI @ 1750 RPM								
	<b>P223</b>	1.7 GPM @ 2000 PSI @ 1750 RPM and 3.0 GPM @ 3000 PSI @ 3450 RPM								
	<b>P210</b>	1.8 GPM @ 2000 PSI @ 1750 RPM and 3.3 GPM @ 2000 PSI @ 3450 RPM								
	<b>P217</b>	1.8 GPM @ 2000 PSI @ 1750 RPM and 3.3 GPM @ 2500 PSI @ 3450 RPM								
	<b>P228</b>	1.8 GPM @ 3000 PSI @ 1750 RPM								
	<b>P211</b>	2.1 GPM @ 2000 PSI @ 1750 RPM and 3.8 GPM @ 2000 PSI @ 3450 RPM								
	<b>P227</b>	2.1 GPM @ 2500 PSI @ 1750 RPM								
	<b>P221</b>	2.3 GPM @ 2000 PSI @ 1750 RPM and 4.2 GPM @ 2500 PSI @ 3450 RPM								
	<b>P218</b>	3.4 GPM @ 2500 PSI @ 1750 RPM								
<b>P219</b>	4.2 GPM @ 2500 PSI @ 1750 RPM									
<b>P220</b>	4.7 GPM @ 2500 PSI @ 1450 RPM									
<b>Shaft Side</b>	LH Shaft	L								
	RH Shaft	R								
<b>Electric Motor</b>	(56C) 5 7/8" or 5.11" dia.	E1		(1) 01155 / (4) 01176A-1 / (4) 01176-2 (Ass. Parts 06773, (4) 07435)						
	(TC Face) 7 1/4" dia. Bolts	E2		(1) 06495 / (4) 01176A-1 / (4) 01176-2 (Ass. Parts 06773, (4) 07803)						
<b>Gas Motor</b>	(Under 9HP) 3-5/8" dia. Bolts	G1		(1) 01155 / (4) 01176A-1 / (4) 01176-2 (Ass. Parts 06773, (4) 07435 & (1) 09103)						
	(9HP & More) 6.5" dia. Bolts	G2		(1) 06478 / (4) 01176A-1 / (4) 01176-2 (Ass. Parts 06773, (4) 07804 & (4) 13129						
	(9HP & More) 6.5" dia. Bolts	B1		(1) 08499A				& (4) 13445 if needed		
	(16HP & More) 6.5" dia. Bolts	B2		(1) 08980 or (1) 08981						
<b>Coupler Size</b>	5/8" Aluminum = 06505-0.6	B		(1) 06299 AND (1) 06332 with Each Aluminum Coupler ***** (1) 06332 with each plastic coupler						
	5/8" Delrin = 08494P	I								
	3/4" Aluminum = 06505-0.7	C								
	3/4" Delrin = 08496P	J								
	7/8" Aluminum = 06505-0.8	D								
	24mm Aluminum = 06505-24	M								
	1" Aluminum = 06505-1.0	E								
	1" Delrin = 08485P	K								
	1 1/8" Aluminum = 06505-1.1	F								
	1 1/8" Delrin = 08487P	L								
1 3/8" Aluminum = 04393-1.3	H									
1 3/8" Delrin = 08489P	N									
<b>Backend</b>	Extended	08302-L(P200)				(4) 01196 / (4) 01176-2				
	Short Backend	08302(P200)		X		(4) 07188 / (4) 01176-2				
<b>Unloader/Regulator</b>	No Unloader/Regulator	\								
	Unloader/Regulator	23270 (P200)		U or R		For Regulators, add "R"				
	Unloader (Side of Shaft)	23270 (P200)		US or RS		For Regulators, add "R"				
<b>Siphon Injector</b>	1.8mm (Fixed)			23750-1.8		2				
	2.1mm (Fixed)			23750-2.1		3				
	2.3mm (Fixed)			23750-2.3		4				
	1.8mm (Adjustable)			23750-1.8A		6				
	2.1mm (Adjustable)			23750-2.1A		7				
	2.3mm (Adjustable)			23750-2.3A		8				
<b>Thermal</b>	Thermal (Blank if No Thermal Relief Valve)						23422B (1/2")		T	
<b>Oil</b>	7.5 ounces for short gear ends / 9.0 ounces for long gear ends								O	

**NOTE: Pumps without Bell Housing to include (1) 01067 Associated parts**

Method: Follow "shaded" boxes to follow the part number. Corresponding items included, next to the box.

# P300 Series

## Belt Drive



### Common Specifications & Materials

	U.S.	(Metric)
Max Inlet Temp .....	160 °F	(71 °C)
Weight .....	16 lbs.	(7.3 kg)
Inlet Port .....	(2) 1/2" BSP	
Discharge Port.....	(2) 3/8" BSP	

### Materials Used

Manifold .....	Brass
Plunger .....	Solid ceramic oxide
Valves .....	Stainless Steel
Seals.....	Nitrile with fabric reinforcing
Crankcase .....	Aluminum



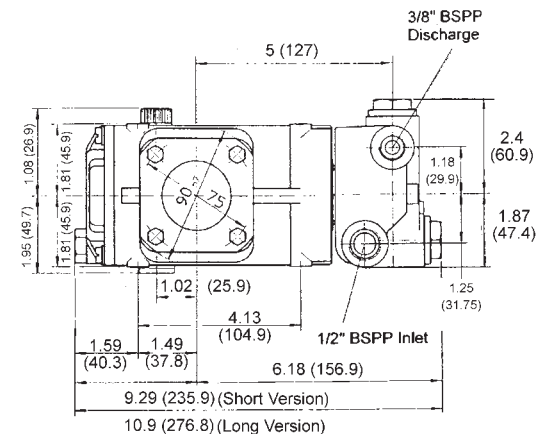
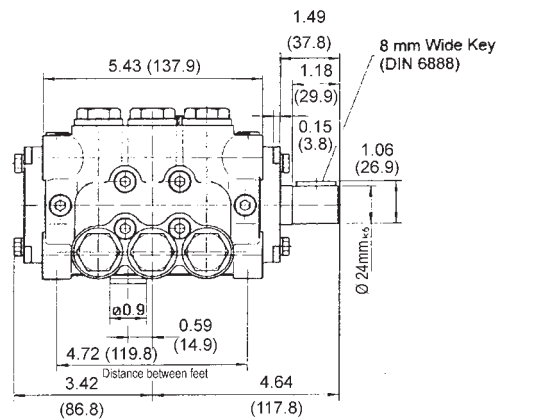
### Repair Kits

Kit	Part Number	List Price
Plunger Packing Kit (12mm) (P314/P321)	09152	\$102.70
Plunger Packing Kit (18mm) (P316/P317/P319/P322/P323/P325)	09119	\$100.78
Plunger Packing Kit (20mm) (P318/P324)	09145	\$84.36
Plunger Packing Kit (16mm) (P340)	09507	\$218.21
Valve Kit	09116	\$93.90
Oil Seal Kit	09144	\$7.98

### Belt Drive Mounting Accessories

	Part Number	List Price
<b>Bushings</b>		
24mm Tapered H Bushing	01074	\$27.83
<b>Pulleys</b>		
7.75" Cast Iron 1 gr. - AB	01061	\$127.40
7.75" Cast Iron 2 gr. - AB	01062	\$264.97
<b>Steel Box Rails</b> (L=9.25"xW=1.18"xH=1.62")	01034	\$168.00
<b>Plated Steel Channel Rails</b> (L=5.75"xW=1.00"xH=2.50")	01161	\$48.14
<b>Plated Steel Channel Rails</b> (L=5.75"xW=1.00"xH=2.50")	01162	\$70.09

### P300 DIMENSIONS - INCHES (mm)



Direct Drive



Electric Drive

Part Number	Connection to Electric Motor Type	List Price
01155	NEMA 56C	\$31.50
06495	NEMA 182TC, 184TC, 213TC, 215TC	\$58.59
01130	IEC B5	\$105.00



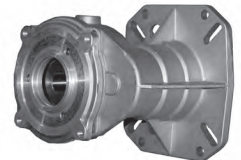
06495

Gas Drive

Part Number	Connection to Engine Type	List Price
01155 & 09103	Adapts pump to most 3.5, 4.0, 5.5, 6.5 HP gas engines with a 3.62" bolt circle	\$31.50 \$14.67
06478	Fits gas engines with J609B mounting	\$89.25
	<b>Gear Boxes for</b>	
08499A	Gearbox, J609B	\$497.02



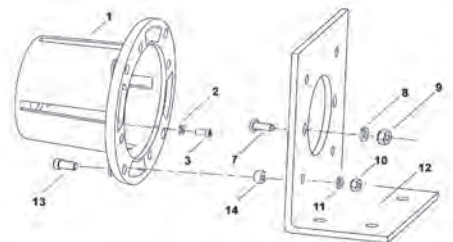
06478



08499A

Hydraulic Kit

Part Number		List Price
HK-P2/300	Adapts to SAE - "A" 2 Bolt hydraulic motor	\$168.00







Model	Flow	Pressure Continuous/ Intermittent	Speed	Power Required	Plunger Diameter	Stroke	Price
	GPM (LPM)	PSI (Bar)	RPM	HP (kW)	in (mm)	in (mm)	
P327	2.9 (11.0)	3500 (240) / 4000 (275)	3450	8.0 (6.0)	0.47 (12)	0.42 (10.6)	\$892.50
P317	3.5 (13.3)	3045 (210) / 3350 (230)	1750	8.1 (6.0)	0.71 (18)	0.42 (10.6)	\$871.50
P323	3.5 (13.3)	3685 (255)	1750	9.7 (7.3)	0.71 (18)	0.42 (10.6)	\$892.50
P340	3.7 (14.0)	3500 (240) / 4000 (275)	1750	10.2 (7.6)	0.63 (16)	0.63 (14.1)	\$892.50
P321	3.8 (14.4)	3200 (220) / 3500 (240)	3450	9.2 (6.9)	0.47 (12)	0.56 (14.1)	\$871.50
P314	3.8 (14.4)	3500 (240) / 4000 (275)	3450	9.2 (6.9)	0.47 (12)	0.56 (14.1)	\$892.50
P316	4.0 (15.1)	3045 (210) / 3350 (230)	1450	9.2 (6.9)	0.71 (18)	0.56 (14.1)	\$871.50
P322	4.0 (15.1)	3500 (240)	1450	9.7 (7.2)	0.71 (18)	0.56 (14.1)	\$892.50
P328	4.1 (15.5)	3200 (220) / 3500 (240)	3450	9.9 (7.4)	0.63 (16)	0.31 (8.0)	\$871.50
P329	4.1 (15.5)	3500 (240) / 4000 (275)	3450	11.3 (8.4)	0.63 (16)	0.31 (8.0)	\$892.50
P316	4.7 (17.8)	2500 (170) / 2750 (190)	1750	9.2 (6.9)	0.71 (18)	0.56 (14.1)	\$871.50
P322	4.7 (17.8)	3000 (200)	1750	9.7 (7.2)	0.71 (18)	0.56 (14.1)	\$892.50
P318	4.8 (18.3)	2000 (140)	1450	6.6 (4.9)	0.79 (20)	0.56 (14.1)	\$960.75
P324	4.8 (18.2)	2200 (150)	1450	7.3 (5.4)	0.79 (20)	0.56 (14.1)	\$981.75
P319	4.8 (18.2)	2500 (170) / 2750 (190)	3450	9.1 (7.0)	0.71 (18)	0.31 (8.0)	\$871.50
P332	4.8 (18.2)	3000 (200)	1450	9.9 (7.4)	0.71 (18)	0.63 (16)	\$995.25
P325	4.8 (18.2)	3045 (210)	3450	10.1 (7.5)	0.71 (18)	0.31 (8.0)	\$892.50
P318	5.8 (22.0)	1000 (70)	1750	6.7 (5.0)	0.79 (20)	0.56 (14.1)	\$960.75
P324	5.8 (22.0)	1100 (75)	1450	7.3 (5.5)	0.79 (20)	0.56 (14.1)	\$981.75
P330	6.5 (24.7)	1000 (70)	3450	4.5 (3.3)	0.79 (20)	0.31 (8.0)	\$871.50

# P300 Series Numbering Chart



	Pump	LH/RH	DRIVE	SHAFT	BACKEND	UNLOADER	INJECTOR SIZE	THERMAL	OIL	
Pump Model	P327	2.9 GPM @ 3500 PSI (4000 PSI*) @ 3450 RPM								
	P317	3.5 GPM @ 3045 PSI (3350 PSI*) @ 1750 RPM								
	P323	3.5 GPM @ 3685 PSI @ 1750 RPM								
	P340	3.7 GPM @ 3500 PSI (4000 PSI*) @ 1750 RPM								
	P321	3.8 GPM @ 3200 PSI (3500 PSI*) @ 3450 RPM								
	P314	3.8 GPM @ 3500 PSI (4000 PSI*) @ 3450 RPM								
	P316	4.0 GPM @ 3045 PSI (3350 PSI*) @ 1450 RPM and 4.7 GPM @ 2500 PSI (2750 PSI*) @ 1750 RPM								
	P322	4.0 GPM @ 3500 PSI @ 1450 RPM and 4.7 GPM @ 3000 PSI @ 1750 RPM								
	P328	4.1 GPM @ 3200 PSI (3500 PSI*) @ 3450 RPM								
	P329	4.1 GPM @ 3500 PSI (4000 PSI*) @ 3450 RPM								
	P318	4.8 GPM @ 2000 PSI @ 1450 RPM and 5.8 GPM @ 1000 PSI @ 1750 RPM								
	P324	4.8 GPM @ 2200 PSI @ 1450 RPM and 5.8 GPM @ 1100 PSI @ 1750 RPM								
	P319	4.8 GPM @ 2500 PSI (2750 PSI*) @ 3450 RPM								
	P332	4.8 GPM @ 3000 PSI @ 1450 RPM								
P325	4.8 GPM @ 3045 PSI @ 3450 RPM									
P330	6.5 GPM @ 1000 PSI @ 3450 RPM									
Shaft Side	LH Shaft	L								
	RH Shaft	R								
Electric Motor	(56C) 5 7/8" or 5.11" dia.	E1		(1) 01155 / (4) 01176A-1 / (4) 01176-2 (Ass. Parts 06773, (4) 07435)						
	(TC Face) 7 1/4" dia. Bolts	E2		(1) 06495 / (4) 01176A-1 / (4) 01176-2 (Ass. Parts 06773, (4) 07803)						
Gas Motor	(Under 9HP) 3-5/8" dia. Bolts	G1		(1) 01155 / (4) 01176A-1 / (4) 01176-2 (Ass. Parts 06773, (4) 07435 & (1) 09103)						
	(9HP & More) 6.5" dia. Bolts	G2		(1) 06478 / (4) 01176A-1 / (4) 01176-2 (Ass. Parts 06773, (4) 07804 & (4) 13129)						
	(9HP & More) 6.5" dia. Bolts	B1		(1) 08499A				& (4) 13445 if needed		
	(16HP & More) 6.5" dia. Bolts	B2		(1) 08980 or (1) 08981						
Coupler Size	5/8" Aluminum = 06505-0.6	B		(1) 06299 AND (1) 06332 with Each Aluminum Coupler ***** (1) 06332 with each plastic coupler						
	5/8" Delrin = 08494P	I								
	3/4" Aluminum = 06505-0.7	C								
	3/4" Delrin = 08496P	J								
	7/8" Aluminum = 06505-0.8	D								
	24mm Aluminum = 06505-24	M								
	1" Aluminum = 06505-1.0	E								
	1" Delrin = 08485P	K								
	1 1/8" Aluminum = 06505-1.1	F								
	1 1/8" Delrin = 08487P	L								
	1 3/8" Aluminum = 04393-1.3	H								
1 3/8" Delrin = 08489P	N									
Backend	Extended 08410-LG (P300)			(4) 01196 / (4) 01176-2						
	Short Backend 08410B (P300)	X		(4) 07188 / (4) 01176-2						
Unloader/Regulator	No Unloader/Regulator									
	Unloader/Regulator	23280 (P300)		U or R		For Regulators, add "R"				
	Unloader (Side of Shaft)	23280 (P300)		US or RS		For Regulators, add "R"				
Siphon Injector	1.8mm (Fixed)	23750-1.8		2						
	2.1mm (Fixed)	23750-2.1		3						
	2.3mm (Fixed)	23750-2.3		4						
	1.8mm (Adjustable)	23750-1.8A		6						
	2.1mm (Adjustable)	23750-2.1A		7						
	2.3mm (Adjustable)	23750-2.3A		8						
Thermal	Thermal (Blank if No Thermal and Pulsator Valve)						23422B (1/2")		T	
Pulsator	Pulsator (Blank if No Pulsator Valve)								P	

**NOTE: Pumps without Bell Housing to include (1) 01067 Associated parts**

Method: Follow "shaded" boxes to follow the part number. Corresponding items included, next to the box.

**COMMERCIAL  
DIRECT DRIVE/  
PULLEY  
PUMPS**

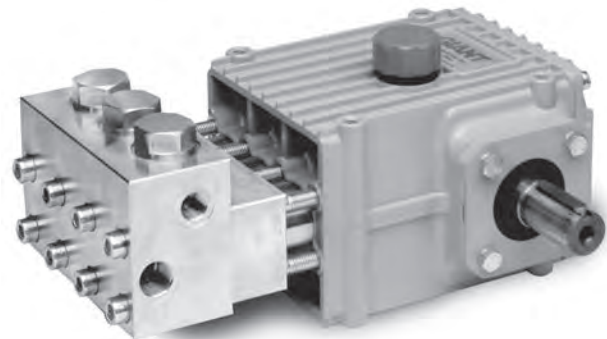
(pages 19-29)

Model	Flow	Pressure	Speed	Power Required	Plunger Diameter	Stroke	Price
	GPM (LPM)	PSI (Bar)	RPM	HP (kW)	in (mm)	in (mm)	
P414*	3.1 (11.8)	10,150 (700)	1450	21.7 (16.2)	0.55 (14)	0.94 (24)	\$7,735.00
P480*	3.2 (12.3)	7250 (500)	1450	16.0 (11.9)	0.55 (14)	0.79 (20)	\$5,480.00
P460*	3.8 (14.5)	7250 (500)	1450	19.0 (14.2)	0.55 (14)	0.94 (24)	\$5,480.00

\*Hydraulic drive pumps available upon request

### Common Specifications & Materials

	U.S.	(Metric)
Max Inlet Temp .....	104 °F	(40 °C)
Weight .....	46 lbs.	(21 kg)
Inlet Port .....	(2) 1/2" BSP	
Discharge Port.....	(2) 3/8" BSP	
<b>Materials Used</b>		
Manifold (P414/P460/P480) .....	Stainless Steel	
Manifold (P461/P462).....	Brass	
Plunger .....	Solid ceramic oxide	
Valves .....	High Grade Stainless Steel	
Seals.....	Nitrile with fabric reinforcing	
Crankcase .....	Aluminum	



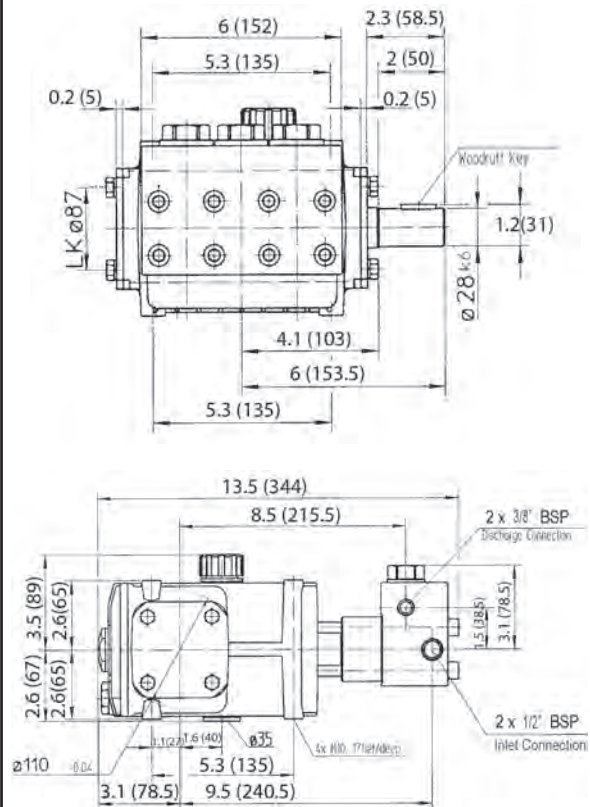
### Repair Kits

Kit	Part Number	List Price
Plunger Packing Kit	09499	\$431.99
Valve Kit	09498	\$342.15
Oil Seal Kit	09306	\$34.64

### Mounting Accessories

	Part Number	List Price
<b>Bushings</b>		
28mm Tapered H Bushing	07175	\$23.42
<b>Pulleys</b>		
9.75" Cast Iron 2 gr. -AB	01055	\$313.64
7.75" Cast Iron 2 gr. -AB	01062	\$264.97
<b>Plated Steel Channel Rails</b> (L=9.18"xW=1.88"xH=3.00")		
	07358	\$74.03
Direct Drive Accessories: see page 29		

### P414/P460/P480 DIMENSIONS - INCHES (mm)

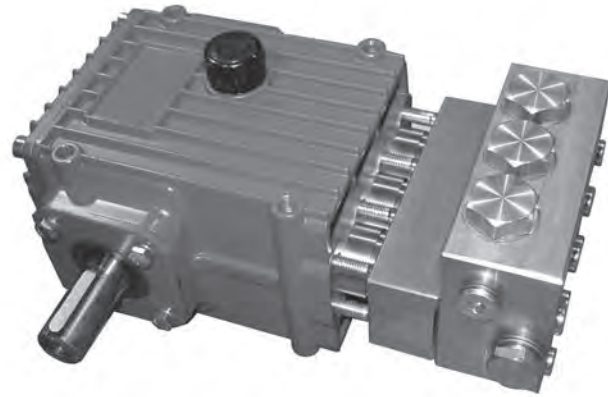




Model	Flow	Pressure	Speed	Power Required	Plunger Diameter	Stroke	Price
	GPM (LPM)	PSI (Bar)	RPM	HP (kW)	in (mm)	in (mm)	
P485	5.3 (19.9)	7250 (500)	1450	26.3 (19.6)	0.71 (18)	0.79 (20)	\$4,450.00
P485-4000	5.3 (19.9)	7250 (500)	1450	26.3 (19.6)	0.71 (18)	0.79 (20)	\$6,530.00
P465	6.3 (23.9)	5800 (400)	1450	25.2 (18.8)	0.71 (18)	0.94 (24)	\$4,450.00
P465-4000	6.3 (23.9)	5800 (400)	1450	25.2 (18.8)	0.71 (18)	0.94 (24)	\$6,530.00

### Common Specifications & Materials

	U.S.	(Metric)
Max Inlet Temp .....	104 °F	(40 °C)
Weight .....	37.5 lbs.	(17 kg)
Inlet Port .....	(2) 1/2" BSP	
Discharge Port.....	(2) 3/8" BSP	
<b>Materials Used</b>		
Manifold (P465/P485).....	Extruded Brass	
Manifold (P465-4000/P485-4000) .....	Stainless Steel	
Plunger .....	Solid ceramic oxide	
Valves .....	High Grade Stainless Steel	
Seals.....	Nitrile with fabric reinforcing	
Crankcase .....	Aluminum	



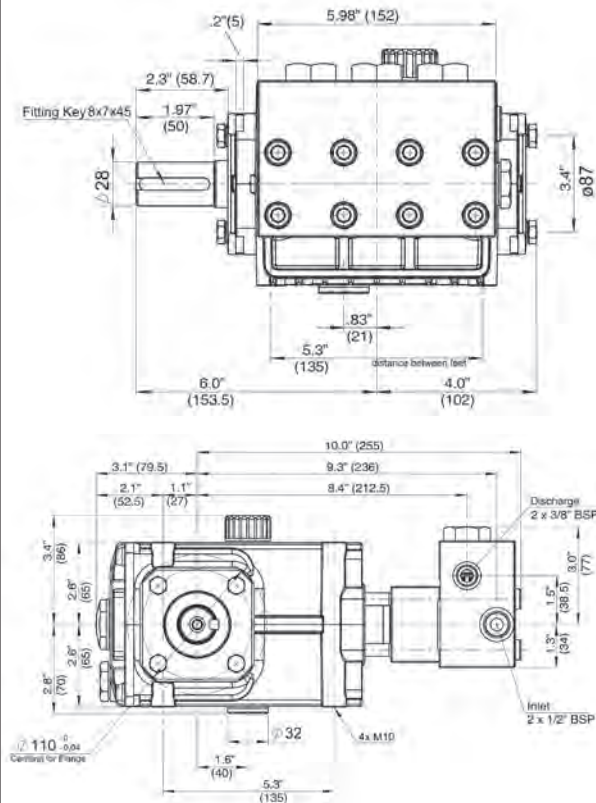
### Repair Kits

Kit	Part Number	List Price
Plunger Packing Kit	09640	\$327.54
Valve Kit	09647	\$396.35
Oil Seal Kit	09641	\$23.65

### Mounting Accessories

	Part Number	List Price
<b>Bushings</b>		
28mm Tapered H Bushing	07175	\$23.42
<b>Pulleys</b>		
9.75" Cast Iron 2 gr. -AB	01055	\$313.64
7.75" Cast Iron 2 gr. -AB	01062	\$264.97
<b>Plated Steel Channel Rails</b> (L=9.18"xW=1.88"xH=3.00")		
	07358	\$74.03
Direct Drive Accessories: see page 29		

### P465/P485 DIMENSIONS - INCHES (mm)

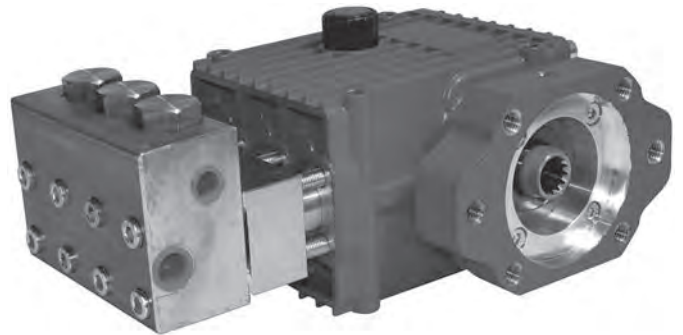


# P465H and P485H Hydraulic Drive Pumps

Model	Flow	Pressure	Speed	Power Required	Plunger Diameter	Stroke	Price
	GPM (LPM)	PSI (Bar)	RPM	HP (kW)	in (mm)	in (mm)	
<i>P485H</i>	5.3 (19.9)	7250 (500)	1450	26.3 (19.6)	0.71 (18)	0.79 (20)	\$4,930.00
<i>P465H</i>	6.3 (23.9)	5800 (400)	1450	25.2 (18.8)	0.71 (18)	0.94 (24)	\$4,930.00

### Common Specifications & Materials

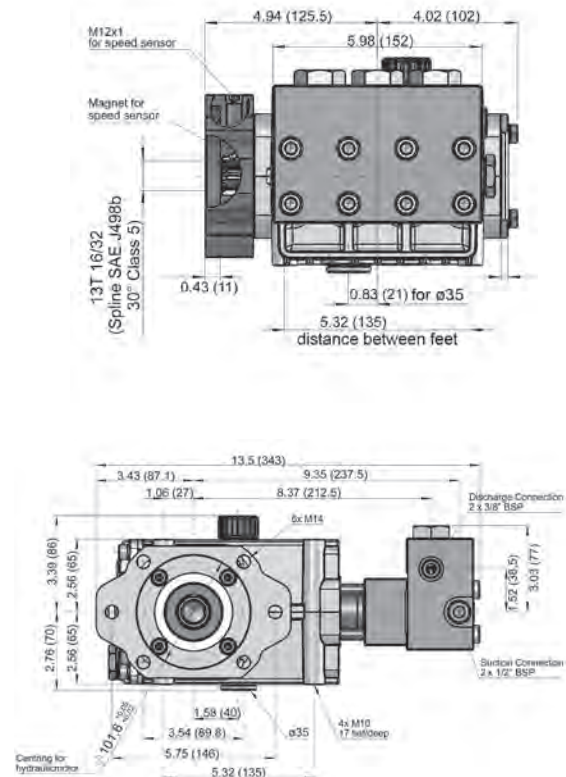
	U.S.	(Metric)
Max Inlet Temp .....	104 °F .....	(40 °C)
Weight .....	37.5 lbs.....	(17 kg)
Inlet Port .....	(2) 1/2" BSP	
Discharge Port.....	(2) 3/8" BSP	
<b>Materials Used</b>		
Manifold (P465/P485).....	Extruded Brass	
Manifold (P465-4000/P485-4000) .....	Stainless Steel	
Plunger .....	Solid ceramic oxide	
Valves .....	High Grade Stainless Steel	
Seals.....	Nitrile with fabric reinforcing	
Crankcase .....	Aluminum	



### Repair Kits / Accessories

Kit	Part Number	List Price
Plunger Packing Kit	09640	\$327.54
Valve Kit	09647	\$396.35
Oil Seal Kit	09641	\$23.65
Anti-Seize	03325	\$6.98

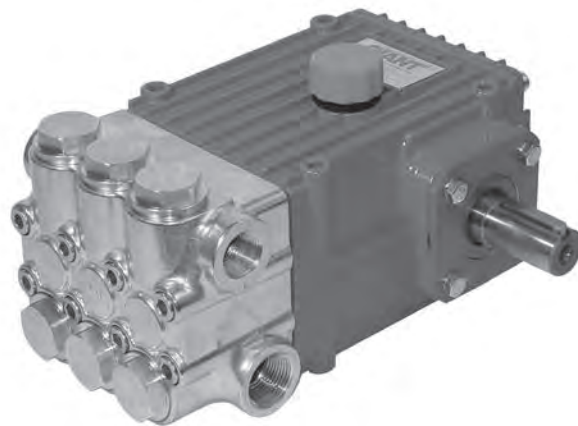
### P465/P485 DIMENSIONS - INCHES (mm)



Model	Flow	Pressure Continuous/ Intermittent	Speed	Power Required	Plunger Diameter	Stroke	Price
	GPM (LPM)	PSI (Bar)	RPM	HP (kW)	in (mm)	in (mm)	
P455B	5.5 (20.8)	4350 (300) / 5100 (350)	1450	19.3 (14.4)	0.71 (18)	0.79 (20)	\$2,740.00
P450	5.5 (20.8)	5100 (350)	1450	18.9 (14.1)	0.71 (18)	0.79 (20)	\$4,345.00
P456B	5.8 (22.0)	4350 (300) / 5100 (350)	1725	20.1 (15.0)	0.71 (18)	0.71 (18.2)	\$4,345.00
P451	5.8 (22.0)	5100 (350)	1725	20.4 (15.2)	0.71 (18)	0.71 (18.2)	\$4,570.00
P435	6.6 (25.0)	3625 (250)	1450	16.5 (12.3)	0.71 (18)	0.94 (24)	\$2,900.00

**Common Specifications & Materials**

	U.S.	(Metric)
Max Inlet Temp .....	160 °F	(70 °C)
Weight .....	38.3 lbs.	(17.4 kg)
Inlet Port .....	(2) 1/2" BSP	
Discharge Port.....	(2) 1/2" BSP	
<b>Materials Used</b>		
Manifold (P450/P451).....	Bronze	
Manifold (P455B/P456B/P435).....	Forged Brass	
Plunger .....	Solid ceramic oxide	
Valves .....	High Grade Stainless Steel	
Seals.....	Nitrile with fabric reinforcing	
Crankcase .....	Aluminum	



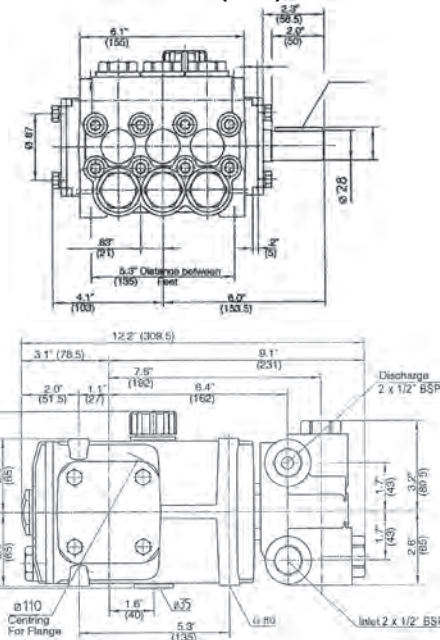
**Repair Kits**

Kit	Part Number	List Price
Plunger Packing Kit	09141	\$121.62
Valve Kit (P435, P455B, P456B)	09644	\$475.70
Valve Kit (P450, P451)	09770	\$345.25
Oil Seal Kit	09641	\$23.65

**Mounting Accessories**

	Part Number	List Price
<b>Bushings</b>		
28mm Tapered H Bushing	07175	\$23.42
<b>Pulleys</b>		
9.75" Cast Iron 2 gr. -AB	01055	\$313.64
7.75" Cast Iron 2 gr. -AB	01062	\$264.97
<b>Plated Steel Channel Rails</b> (L=9.18"xW=1.88"xH=3.00")		
	07358	\$74.03
Direct Drive Accessories: see page 29		

**P435, P450, P451, P455, P456  
INCHES (mm)**



# P435H, P450H, P451H, P455BH & P456BH **GIANT**

## Hydraulic Drive Pumps

Model	Flow	Pressure Continuous/ Intermittent	Speed	Power Required	Plunger Diameter	Stroke	Price
	GPM (LPM)	PSI (Bar)	RPM	HP (kW)	in (mm)	in (mm)	
P455BH	5.5 (20.8)	4350 (300) / 5100 (350)	1450	19.3 (14.4)	0.71 (18)	0.79 (20)	\$3,390.00
P450H	5.5 (20.8)	5100 (350)	1450	18.9 (14.1)	0.71 (18)	0.79 (20)	\$3,390.00
P456BH	5.8 (22.0)	4350 (300) / 5100 (350)	1725	20.1 (15.0)	0.71 (18)	0.71 (18.2)	\$4,995.00
P451H	5.8 (22.0)	5100 (350)	1725	20.4 (15.2)	0.71 (18)	0.71 (18.2)	\$4,995.00
P435H	6.6 (25.0)	3625 (250)	1450	16.5 (12.3)	0.71 (18)	0.94 (24)	\$3,390.00

### Common Specifications & Materials

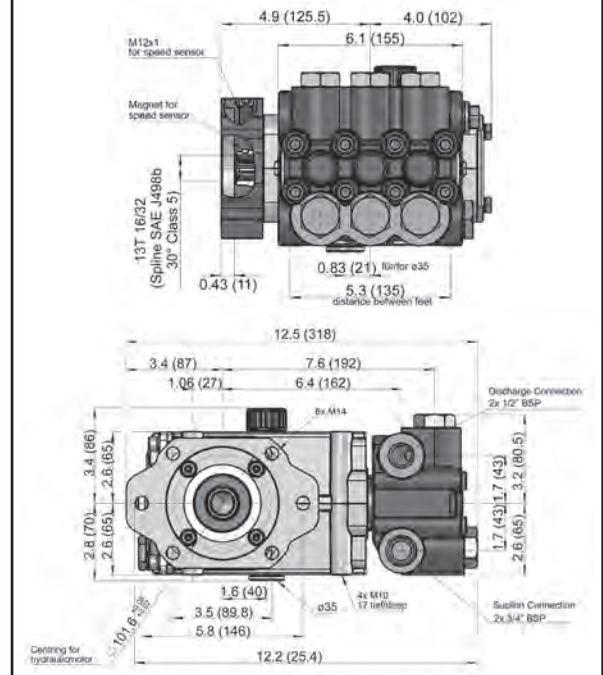
	U.S.	(Metric)
Max Inlet Temp .....	160 °F	(70 °C)
Weight .....	38.3 lbs.	(17.4 kg)
Inlet Port .....	(2) 1/2" BSP	
Discharge Port.....	(2) 1/2" BSP	
<b>Materials Used</b>		
Manifold (P450/P451).....	Bronze	
Manifold (P455B/P456B/P435).....	Forged Brass	
Plunger .....	Solid ceramic oxide	
Valves .....	High Grade Stainless Steel	
Seals.....	Nitrile with fabric reinforcing	
Crankcase .....	Aluminum	



### Repair Kits / Accessories

Kit	Part Number	List Price
Plunger Packing Kit	09141	\$121.62
Valve Kit (P435, P455B, P456B)	09644	\$475.70
Valve Kit (P450, P451)	09770	\$345.25
Oil Seal Kit	09641	\$23.65
Anti-Seize	03325	\$6.98
Direct Drive Accessories: see page 29		

### P435H, P450H, P451H, P455H, P456H INCHES (mm)





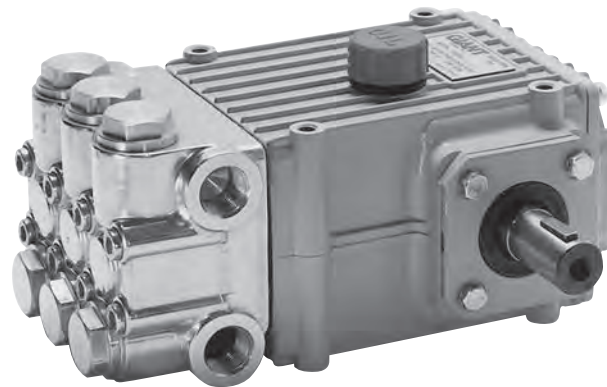
Model	Flow	Pressure Continuous/ Intermittent	Speed	Power Required	Plunger Diameter	Stroke	Price
	GPM (LPM)	PSI (Bar)	RPM	HP (kW)	in (mm)	in (mm)	
P423	8.2 (31.1)	2900 (200)	1450	16.4 (12.2)	0.87 (22)	0.79 (20)	\$2,740.00
P422	9.9 (37.3)	2600 (180) / 3000 (200)	1450	20.5 (15.3)	0.87 (22)	0.94 (24)	\$2,740.00
P425	10.7 (40.4)	2465 (170)	1450	18.2 (13.6)	0.98 (25)	0.79 (20)	\$2,740.00
P420A	12.8 (48.4)	2175 (150)	1450	19.2 (14.3)	0.98 (25)	0.94 (24)	\$2,740.00

### Common Specifications & Materials

	U.S.	(Metric)
Max Inlet Temp .....	160 °F	(70 °C)
Weight .....	38.3 lbs.	(17.4 kg)
Inlet Port .....	(2) 1" NPT	
Discharge Port.....	(2) 3/4" NPT	

#### Materials Used

Manifold Material .....	Forged Brass
Plunger .....	Solid ceramic oxide
Valves .....	High Grade Stainless Steel
Seals.....	Nitrile with fabric reinforcing
Crankcase .....	Aluminum



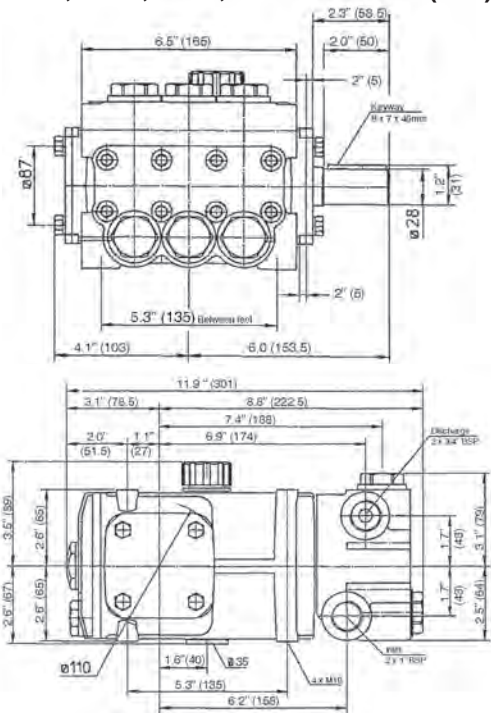
### Repair Kits

Kit	Part Number	List Price
Plunger Packing Kit (P420, P425)	09140	\$203.91
Plunger Packing Kit (P422, P423)	09295	\$282.77
Valve Kits	09143	\$455.41
Oil Seal Kit	09641	\$23.65

### Mounting Accessories

	Part Number	List Price
<b>Bushings</b>		
28mm Tapered H Bushing	07175	\$23.42
<b>Pulleys</b>		
9.75" Cast Iron 2 gr. -AB	01055	\$313.64
7.75" Cast Iron 2 gr. -AB	01062	\$264.97
<b>Plated Steel Channel Rails</b> (L=9.18"xW=1.88"xH=3.00")	07358	\$74.03
Direct Drive Accessories: see page 29		

### P420, P422, P423, P425 - INCHES (mm)





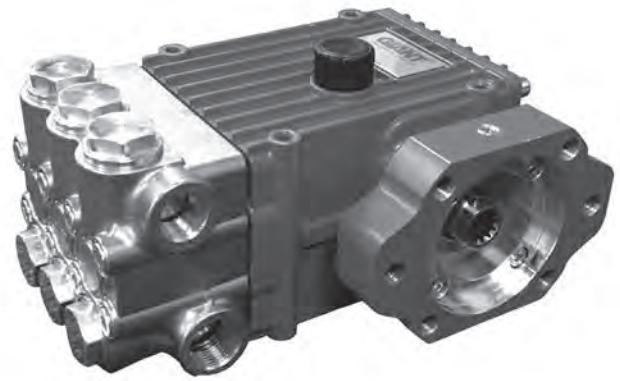
# P420H, P422H, P423H & P425H

## Hydraulic Drive Pumps

Model	Flow	Pressure Continuous/ Intermittent	Speed	Power Required	Plunger Diameter	Stroke	Price
	GPM (LPM)	PSI (Bar)	RPM	HP (kW)	in (mm)	in (mm)	
P423H	8.2 (31.1)	2900 (200)	1450	16.4 (12.2)	0.87 (22)	0.79 (20)	\$3,235.00
P422H	9.9 (37.3)	2600 (180) / 3000 (200)	1450	20.5 (15.3)	0.87 (22)	0.94 (24)	\$3,235.00
P425H	10.7 (40.4)	2465 (170)	1450	18.2 (13.6)	0.98 (25)	0.79 (20)	\$3,235.00
P420AH	12.8 (48.4)	2175 (150)	1450	19.2 (14.3)	0.98 (25)	0.94 (24)	\$3,235.00

### Common Specifications & Materials

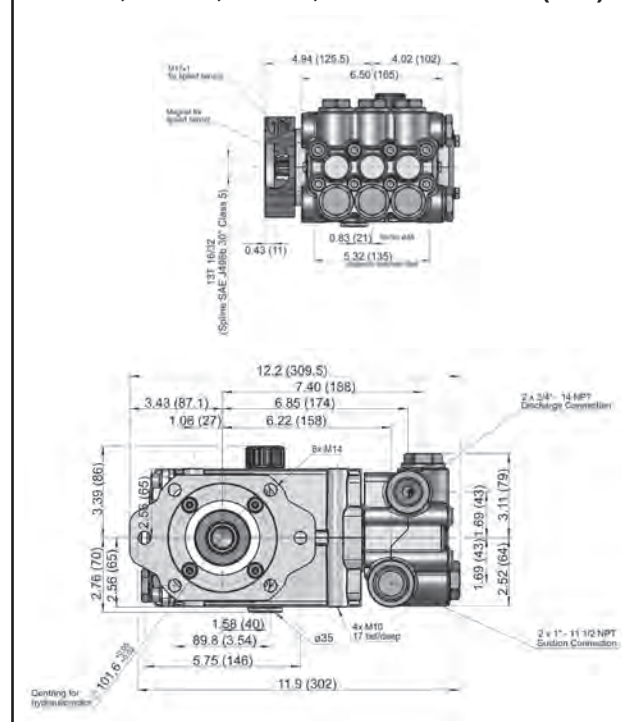
	U.S.	(Metric)
Max Inlet Temp .....	160 °F	(70 °C)
Weight .....	38.3 lbs.	(17.4 kg)
Inlet Port .....	(2) 1" NPT	
Discharge Port.....	(2) 3/4" NPT	
<b>Materials Used</b>		
Manifold Material .....	Forged Brass	
Plunger .....	Solid ceramic oxide	
Valves .....	High Grade Stainless Steel	
Seals.....	Nitrile with fabric reinforcing	
Crankcase .....	Aluminum	



### Repair Kits / Accessories

Kit	Part Number	List Price
Plunger Packing Kit (P420, P425)	09140	\$203.91
Plunger Packing Kit (P422, P423)	09295	\$282.77
Valve Kits	09143	\$455.41
Oil Seal Kit	09641	\$23.65
Anti-Seize	03325	\$6.98

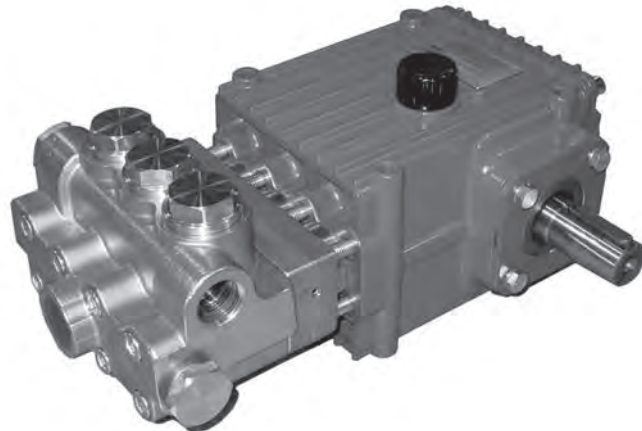
### P420H, P422H, P423H, P425H - INCHES (mm)



Model	Flow	Pressure	Speed	Power Required	Plunger Diameter	Stroke	Price
	GPM (LPM)	PSI (Bar)	RPM	HP (kW)	in (mm)	in (mm)	
P490	15.7 (59.4)	2030 (140)	1450	22.0 (16.4)	1.18 (30)	0.79 (20)	\$3,465.00
P490-7000	15.7 (59.4)	2030 (140)	1450	22.0 (16.4)	1.18 (30)	0.79 (20)	\$3,970.00
P470	18.4 (69.7)	2030 (140)	1450	25.8 (19.2)	1.18 (30)	0.94 (24)	\$3,465.00
P470-7000	18.4 (69.7)	2030 (140)	1450	25.8 (19.2)	1.18 (30)	0.94 (24)	\$4,095.00

**Common Specifications & Materials**

	U.S.	(Metric)
Max Inlet Temp .....	160 °F	(70 °C)
Weight .....	39.7 lbs.	(18 kg)
Inlet Port .....	(2) 3/4" & 1" BSP	
Discharge Port.....	(2) 3/4" BSP	
Manifold (P470/P490).....	Brass	
Manifold (P470-7000/P490-7000).....	Nickel-Plated Brass	
Plunger .....	Solid ceramic oxide	
Valves .....	Stainless Steel	
Seals.....	Nitrile with fabric reinforcing	
Crankcase .....	Aluminum	

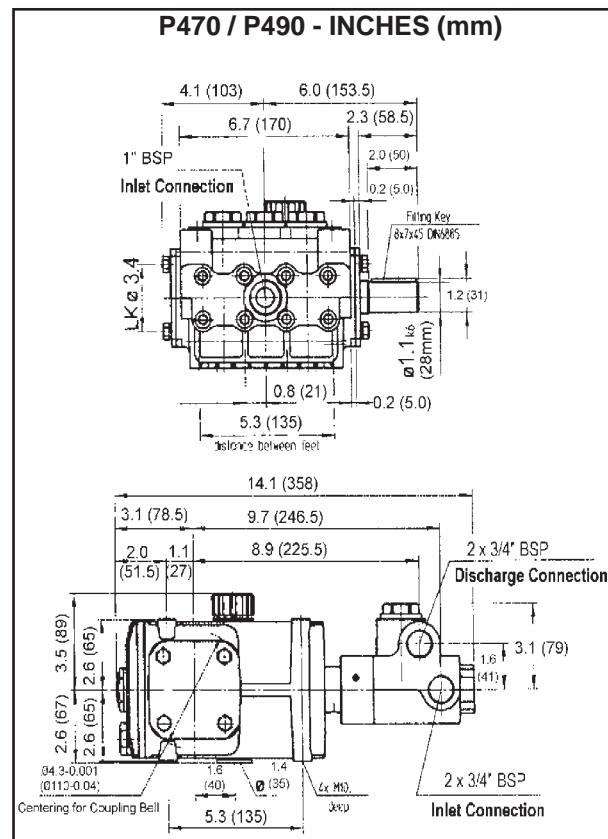


**Repair Kits**

Kit	Part Number	List Price
Plunger Packing Kit	09565	\$365.91
Valve Kit	09566	\$778.67
Oil Seal Kit	09306	\$34.64

**Mounting Accessories**

	Part Number	List Price
<b>Bushings</b>		
28mm Tapered H Bushing	07175	\$23.42
<b>Plated Steel Channel Rails</b>		
(L=9.18"xW=1.88"xH=3.00")	07358	\$74.03
Direct Drive Accessories: see page 29		



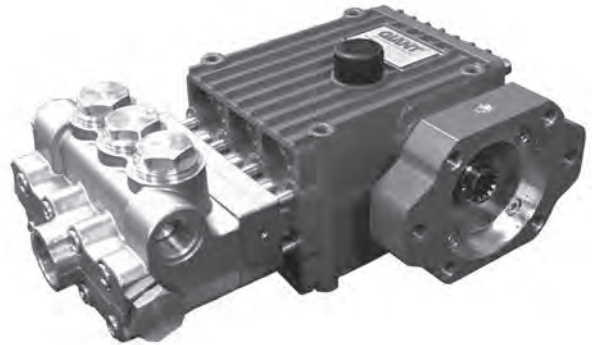
# P490H, P490H-7000, P470H & P470H-7000 **GIANT**

## Hydraulic Drive Pumps

Model	Flow	Pressure	Speed	Power Required	Plunger Diameter	Stroke	Price
	GPM (LPM)	PSI (Bar)	RPM	HP (kW)	in (mm)	in (mm)	
P490H	15.7 (59.4)	2030 (140)	1450	22.0 (16.4)	1.18 (30)	0.79 (20)	\$3,950.00
P490H-7000	15.7 (59.4)	2030 (140)	1450	22.0 (16.4)	1.18 (30)	0.79 (20)	\$4,455.00
P470H	18.4 (69.7)	2030 (140)	1450	25.8 (19.2)	1.18 (30)	0.94 (24)	\$3,950.00
P470H-7000	18.4 (69.7)	2030 (140)	1450	25.8 (19.2)	1.18 (30)	0.94 (24)	\$4,455.00

### Common Specifications & Materials

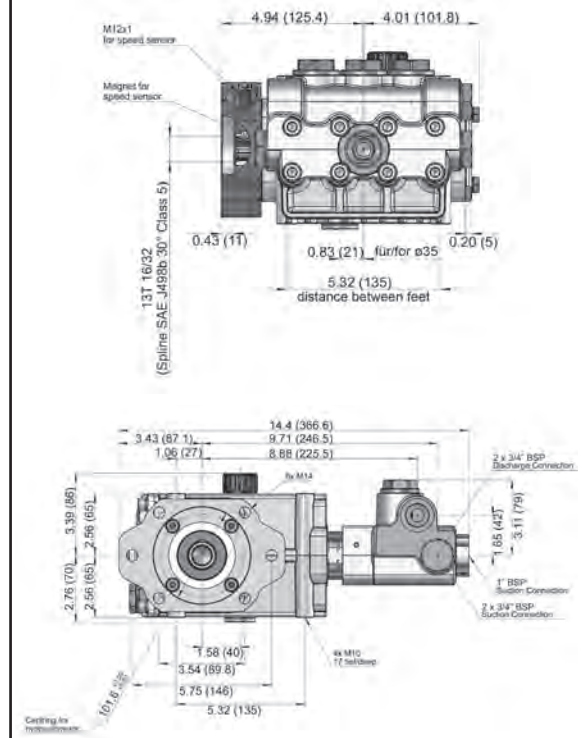
	U.S.	(Metric)
Max Inlet Temp .....	160 °F .....	(70 °C)
Weight .....	39.7 lbs. ....	(18 kg)
Inlet Port .....	(2) 3/4" & 1" BSP	
Discharge Port.....	(2) 3/4" BSP	
Manifold (P470/P490).....	Brass	
Manifold (P470/P490-7000).....	Nickel-Plated Brass	
Plunger .....	Solid ceramic oxide	
Valves .....	Stainless Steel	
Seals.....	Nitrile with fabric reinforcing	
Crankcase .....	Aluminum	



### Repair Kits

Kit	Part Number	List Price
Plunger Packing Kit	09565	\$365.91
Valve Kit	09566	\$778.67
Oil Seal Kit	09306	\$34.64
Anti-Seize	03325	\$6.98

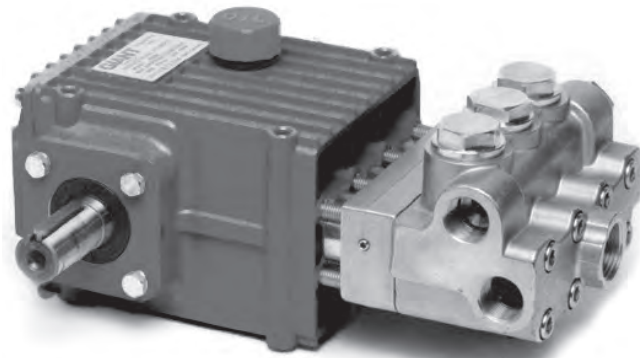
### P470 / P490 - INCHES (mm)



Model	Flow	Pressure	Speed	Power Required	Plunger Diameter	Stroke	Price
	GPM (LPM)	PSI (Bar)	RPM	HP (kW)	in (mm)	in (mm)	
P423HP	8.2 (31.0)	4060 (280)	1450	23.0 (17.2)	0.87 (22)	0.79 (20)	\$3,465.00
P422HP	10.0 (38.0)	4060 (280)	1450	28.0 (20.9)	0.87 (22)	0.94 (24)	\$3,465.00
P425HP	10.7 (40.5)	3045 (210)	1450	22.5 (16.8)	0.98 (25)	0.79 (20)	\$3,465.00
P420HP	13.0 (49.2)	3045 (210)	1450	27.3 (20.4)	0.98 (25)	0.94 (24)	\$3,465.00
P426HP	14.3 (54.0)	2900 (200)	1450	28.6 (21.3)	1.02 (26)	0.97 (24.6)	\$3,465.00

### Common Specifications & Materials

	U.S.	(Metric)
Max Inlet Temp .....	160 °F	(70 °C)
Weight .....	42 lbs.	(19 kg)
Inlet Port .....	(1) 1" BSP, (2) 3/4" BSP	
Discharge Port .....	(2) 3/4" BSP	
<b>Materials Used</b>		
Manifold .....	Forged Brass	
Plunger .....	Solid ceramic oxide	
Valves .....	High Grade Stainless Steel	
Seals .....	Nitrile with fabric reinforcing	
Crankcase .....	Aluminum	



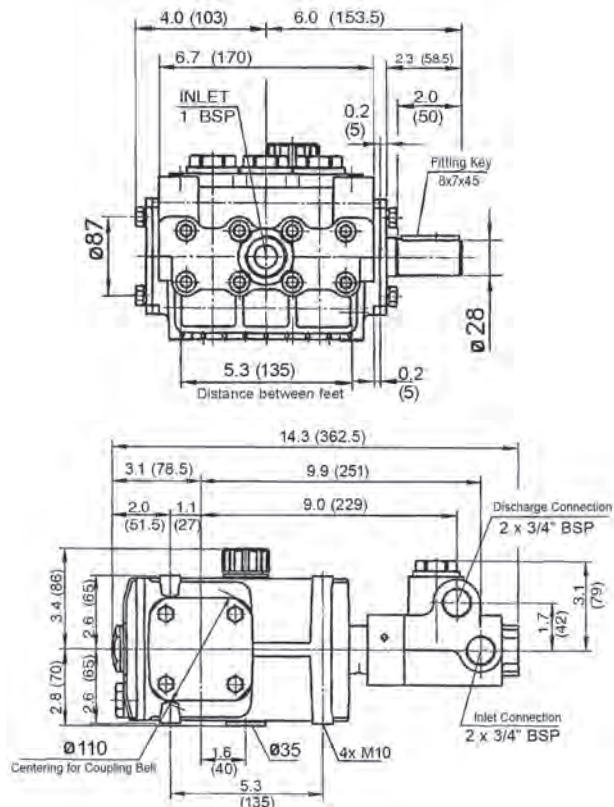
### Repair Kits

Kit	Part Number	List Price
Plunger Packing Kit (P422HP, P423HP)	09722	\$306.33
Plunger Packing Kit (P420HP, P425HP)	09723	\$211.98
Valve Kits	09724	\$612.69
Oil Seal Kit	09641	\$23.65

### Mounting Accessories

	Part Number	List Price
<b>Bushings</b>		
28mm Tapered H Bushing	07175	\$23.42
<b>Pulleys</b>		
9.75" Cast Iron 2 gr. -AB	01055	\$313.64
7.75" Cast Iron 2 gr. -AB	01062	\$264.97
<b>Plated Steel Channel Rails</b>		
(L=9.18"xW=1.88"xH=3.00")	07358	\$74.03
Direct Drive Accessories: see page 29		

### P400HP Series - INCHES (mm)



Direct Drive Accessories

Electric Drive

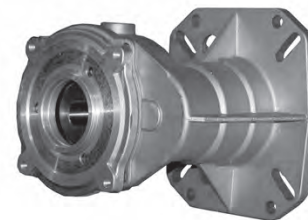
Part Number	Connection to Electric Motor Type	List Price
08595	P400 Series to 182TC, 184TC, 213TC, 215TC frames	\$147.53
09658	Electric Motor Adapting Kit for P400 to 254/254TC	\$326.84
03216	P400 to Nema 284/286TC frames	\$1,932.00



08595

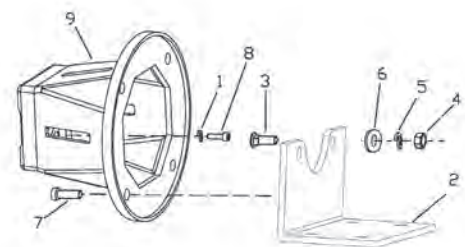
Gas Drive

Part Number	Connection to Engine Type	List Price
08498-1.0	2.176:1, 1" Bore 17.4 HP	\$567.79
08498-1.1	2.176:1, 1-1/8" Bore 17.4 HP	\$567.79
08980-1.0	2.176:1, 1" Bore	\$609.00
08980-1.8	2.176:1, 1-1/8" Bore	\$609.00
08981-1.8	2.176:1, 1-1/8" Bore, 31HP	\$609.00



Hydraulic Drive

Part Number	Hydraulic Kit	Price
HK-P400	Hydraulic Motor Kit for P400 Series Pumps w/SAE 2B motor - 2 Bolt	\$397.16
HKA-P400	Small Hydraulic Motor Kit for P400 Series Pumps w/SAE 2B - 2 Bolt	\$255.47
HK-P400-SAE-C-4	Hydraulic Motor Kit for P400 Series Pumps w/SAE C motor - 4 Bolt	\$761.62



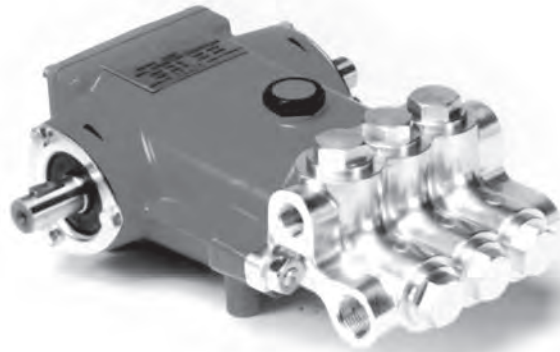


# P46W, P47, P48 & P49

Model	Flow	Pressure	Speed	Power Required	Plunger Diameter	Stroke	Price
	GPM (LPM)	PSI (Bar)	RPM	HP (kW)	in (mm)	in (mm)	
P48	0.82 (3.1)	3000 (200)	1420	1.7 (1.3)	0.47 (12)	0.49 (12.4)	\$1,885.00
P47	1.2 (4.7)	3000 (200)	1420	2.5 (1.9)	0.47 (12)	0.49 (12.4)	\$1,885.00
P49	2.7 (10.2)	2200 (150)	1420	4.1 (3.1)	0.71 (18)	0.41 (10.0)	\$1,400.00
P46W	3.9 (14.7)	2200 (150)	1420	5.9 (4.4)	0.71 (18)	0.56 (14.1)	\$1,145.00

## Common Specifications & Materials

	U.S.	(Metric)
Max Inlet Temp .....	160 °F	(70 °C)
Weight .....	13.9 lbs.	(6.3 kg)
Inlet Port .....	(2) 1/2" BSP	
Outlet Port .....	(2) 3/8" BSP	
<b>Materials Used</b>		
Plunger .....	Solid ceramic oxide	
Valves .....	High Grade Stainless Steel	
Seals .....	Nitrile with fabric reinforcing	
Crankcase .....	Aluminum	



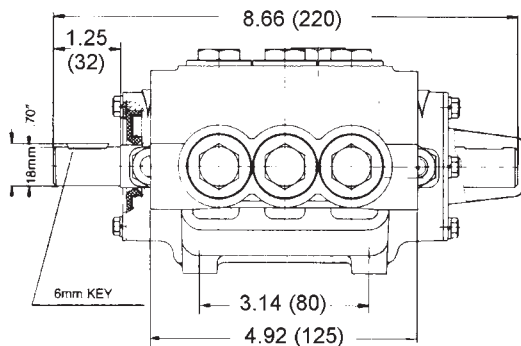
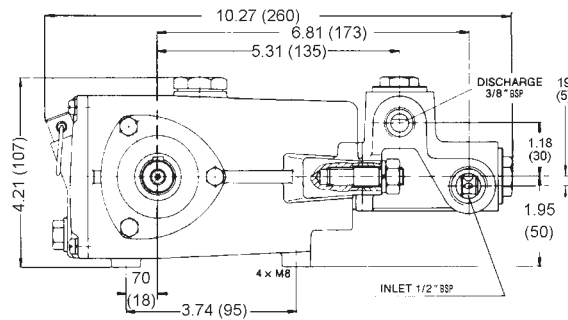
## Repair Kits

Kit	Part Number	List Price
<u>Plunger Packing Kit:</u>		
P46W/P49	09038	\$85.38
P47/P48	09758	\$166.10
<u>Weep Return Kit</u>		
P46W/P49	09081	\$190.54
<u>Valve Kit</u>		
P46W/P49	09039	\$196.83
P47/P48	09759	\$195.17
Oil Seal Kit (P47/P48)	09314	\$86.86

## Mounting Accessories

	Part Number	List Price
<b>Bushings</b>		
18mm Tapered H Bushing	01065	\$27.35
<b>Pulley &amp; Sheaves</b>		
7.75" Cast Iron 1 gr.-AB Section	01061	\$127.42
18mm - 8" Steel Pulley 1 gr.	01066	\$84.21
<b>Steel Box Rails</b>		
(L=9.25"xW=1.18"xH=1.62")	01034	\$168.00
<b>Plated Steel Channel Rails</b>		
(L=9.00"xW=2.12"xH=2.50")	01075	\$83.74
<b>Bell Housing</b>		
to 56C Face	01165	\$28.14

## P46/P47/P49 - INCHES (mm)



Model	Flow	Pressure Continuous/ Intermittent	Speed Continuous/ Intermittent	Power Required	Plunger Diameter	Price
	<b>GPM (LPM)</b>	<b>PSI (Bar)</b>	<b>RPM</b>	<b>HP (kW)</b>	<b>in (mm)</b>	
<i>P57</i>	1.3 (5.1)	5000 (350) / 6525 (450)	1420	5.9 (4.4)	0.47 (12)	\$5,600.00
<i>P57-0011</i>	1.3 (5.1)	5000 (350) / 6525 (450)	1420	5.9 (4.4)	0.47 (12)	\$5,890.00

### Common Specifications & Materials

	<b>U.S.</b>	<b>(Metric)</b>
Stroke .....	0.56"	14.1 mm
Max Inlet Temp .....	160 °F	(71 °C)
Weight .....	17.2 lbs	(7.8 kg)
Inlet Port .....	(2) 1/2" BSP	
Discharge Port .....	(2) 3/8" BSP	

### Materials Used

Manifold .....	Special Brass
Plunger .....	Solid ceramic oxide
Valves .....	High Grade Stainless Steel
Seals (P57) .....	Nitrile with fabric reinforcing
Seals (P57-0011) .....	Viton
Crankcase .....	Aluminum



### Repair Kits

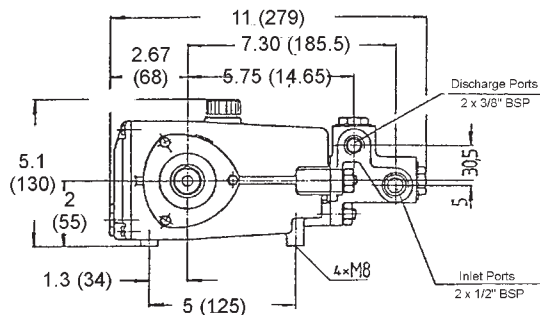
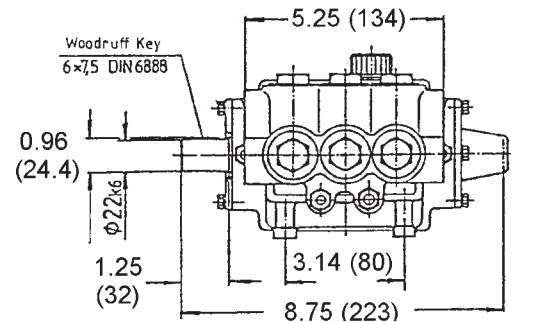
Kit	Part Number	List Price
Plunger Packing Kit	09313	\$153.90
Valve Kit	09315	\$161.25
Oil Seal Kit	09314	\$86.86

### Mounting Accessories

	Part Number	List Price
<b>Bushings</b>		
22mm Tapered H Bushing	01056	\$27.35
7.75" Cast Iron 1 gr.-AB Section	01061	\$127.42
7.75" Cast Iron 2gr.-AB Section	01062	\$264.97
<b>Steel Box Rails</b> (L=9.25"xW=1.18"xH=1.62")		
	01034	\$168.00
<b>Plated Steel Channel Rails</b> (L=9.00"xW=2.12"xH=2.50")		
	01075	\$83.74

Direct Drive Accessories: see page 34

### P57 DIMENSIONS - INCHES (mm)



Model	Flow Continuous/ Intermittent	Pressure Continuous/ Intermittent	Speed Continuous/ Intermittent	Power Required	Plunger Diameter	Price
	GPM (LPM)	PSI (Bar)	RPM	HP (kW)	in (mm)	
P54	4.0 (15.1) / 4.8 (18.2)	4060 (280) / 3300 (230)	1450 / 1750	11.0 (8.2)	0.63 (16)	\$1,785.00
P58	5.0 (18.9) / 6.0 (22.7)	3500 (240) / 3000 (200)	1450 / 1750	12.1 (9.0)	0.71 (18)	\$1,785.00
P59	7.5 (28.3) / 9.0 (32.8)	1900 (130) / 1000 (70)	1450 / 1750	9.8 (7.3)	0.87 (22)	\$1,785.00

### Common Specifications & Materials

	U.S.	(Metric)
Stroke	0.71"	18.1 mm
Max Inlet Temp	140 °F	(60 °C)
Weight (Pump only)	19.4 lbs	(8.8 kg)
Weight (Pump w/gearbox)	26 lbs	(12 kg)
Inlet Port (P54 & P58)	(1) 1/2" ... (2) 3/8" BSP	
Inlet Port (P59)	(1) 3/4" ... (2) 1/2" BSP	
Discharge Port (P54 & P58)	(2) 3/8" BSP	
Discharge Port (P59)	(2) 1/2" BSP	

### Materials Used

Manifold	Special Brass
Plunger	Solid ceramic oxide
Valves	High Grade Stainless Steel
Seals	Nitrile with fabric reinforcing
Crankcase	Aluminum



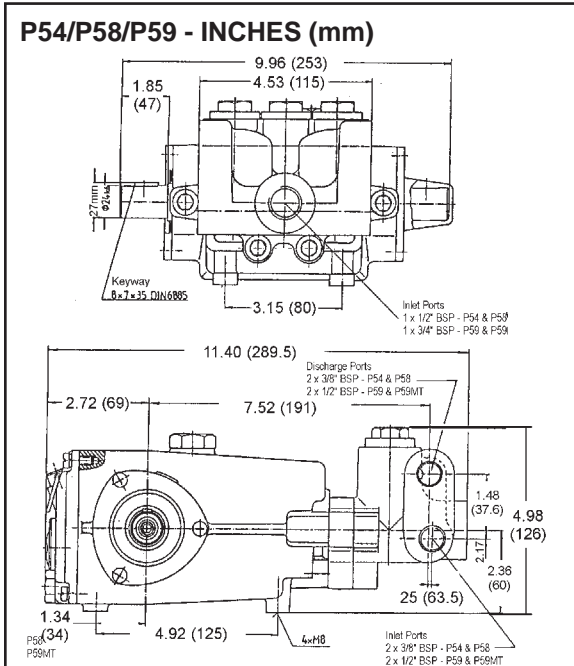
### Repair Kits

Kit	Part Number	List Price
Plunger Packing Kit (P54W)	09167	\$208.38
Plunger Packing Kit (P58W)	09238	\$98.77
Plunger Packing Kit (P59W)	09317	\$257.61
Valve Kit (P54W & P58W)	09168	\$228.71
Valve Kit (P59)	09318	\$146.48
Oil Seal Kit	09202	\$84.72

\*Pump w/gearbox designed for 2:176 reduction from engine speed of 3500 RPM

### Mounting Accessories

	Part Number	List Price
<b>Bushings</b>		
24mm Tapered H Bushing	01074	\$27.83
7.75" Cast Iron 1 gr.-AB Section	01061	\$127.42
7.75" Cast Iron 2gr.-AB Section	01062	\$264.97
<b>Steel Box Rails</b> (L=9.25"xW=1.18"xH=1.62")	01034	\$168.00
<b>Plated Steel Channel Rails</b> (L=9.00"xW=2.12"xH=2.50")	01075	\$83.74
Direct Drive Accessories: see page 34		



Model	Flow Continuous/ Intermittent	Pressure Continuous/ Intermittent	Speed Continuous/ Intermittent	Power Re- quired	Plunger Diameter	Price
	<b>GPM (LPM)</b>	<b>PSI (Bar)</b>	<b>RPM</b>	<b>HP (kW)</b>	<b>in (mm)</b>	
P55W	4.9 (18.5) / 6.0 (22.7)	2320 (160) / 1000 (70)	1420 / 1750	7.8 (5.8)	0.71 (18)	\$1,725.00
P56W	6.1 (23.0) / 7.5 (28.4)	1900 (131) / 1000 (70)	1420 / 1750	8.0 (6.0)	0.79 (20)	\$1,725.00

### Common Specifications & Materials

	U.S.	(Metric)
Stroke .....	0.71"	18.1 mm
Max Inlet Temp .....	160 °F	(70 °C)
Max Inlet Temp .....	190 °F	(88 °C)
Weight .....	18 lbs.	(8 kg)
Inlet Port .....	(2) 1/2" NPT	
Discharge Port .....	(2) 3/8" NPT	

### Materials Used

Manifold .....	Special Brass
Plunger .....	Solid ceramic oxide
Valves .....	High Grade Stainless Steel
Seals .....	Nitrile with fabric reinforcing
Crankcase .....	Aluminum

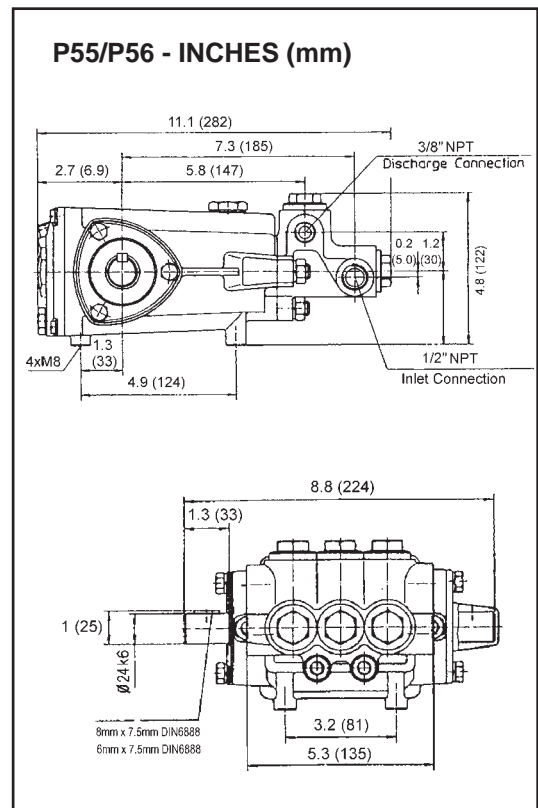


### Repair Kits

Kit	Part Number	List Price
Plunger Packing Kit (P55W)	09089	\$189.48
Plunger Packing Kit (P56W)	09061	\$199.89
Valve Kit	09041	\$198.48
Oil Seal Kit	09202	\$84.72

### Mounting Accessories

	Part Number	List Price
<b>Bushings</b>		
24mm Tapered H Bushing	01074	\$27.83
<b>Pulley &amp; sheaves</b>		
9.75" Cast Iron		
2 gr.-AB Section	01055	\$313.64
7.75" Cast Iron		
1 gr.-AB Section	01061	\$127.42
7.75" Cast Iron		
2 gr. - AB Section	01062	\$264.97
<b>Steel Box Rails</b>		
(L=9.25"xW=1.18"xH=1.62")	01034	\$168.00
<b>Plated Steel Channel Rails</b>		
(L=9.00"xW=2.12"xH=2.50")	01075	\$83.74
Direct Drive Accessories: see page 34		



# P54-P59 Pumps

## Direct Drive Accessories

### Electric Drive

Part Number	Connections to Electric Motor Type	List Price
01156	Mounting Flange to 56C frames	\$28.14
06578	Bell Housing to 182TC, 213TC, 215TC frames	\$45.26
09821	Electric Motor Adapting Kit to 254/256TC	\$326.84



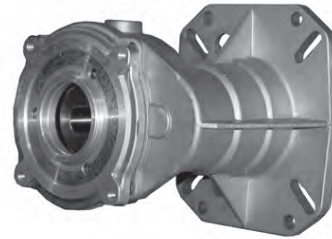
01156



06578

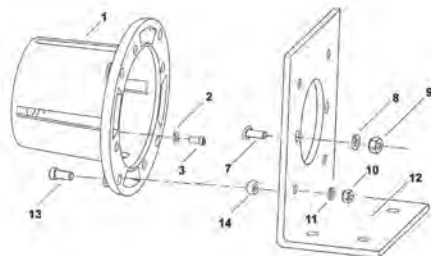
### Gas Drive

Part Number	Connections to Engine Type	List Price
	<b>Gear Boxes for</b>	
08495B	P54, P58 & P59; 2.176:1, 1" Bore 18 HP	\$616.46



### Hydraulic Drive

Part Number	Hydraulic Kits	List Price
HK-P54/9	Hydraulic Motor Kit - 2 Bolt	\$176.61
HK-P54/59-1	Hydraulic Motor Kit with 1/4" Keyway - 2 Bolt	\$181.49





Model	Flow	Pressure	Speed	Power Required	Plunger Diameter	Price
	GPM (LPM)	PSI (Bar)	RPM	HP (kW)	in (mm)	
SP351W	6.7 (25.4)	3200 (220)	1420	14.8 (11.0)	0.79 (20)	\$3,230.00
SP200W	9.6 (36.2)	2175 (150)	1420	14.4 (10.7)	0.94 (24)	\$3,615.00
SP100W	11.2 (42.5)	2000 (140)	1420	14.5 (10.8)	1.02 (26)	\$3,230.00

### Common Specification and Materials

	U.S.	(Metric)
Stroke .....	0.79"	(20 mm)
Max Inlet Temp .....	160 °F	(70 °C)
Weight .....	41.9 lbs	(19 kg)
Inlet Port .....	(2) 3/4" NPT	
Discharge Port.....	(2) 3/8" NPT	

### Materials Used

Manifold .....	Brass
Plunger .....	Solid ceramic oxide
Valves .....	High Grade Stainless Steel
Seals.....	Nitrile with fabric reinforcing
Crankcase .....	Aluminum



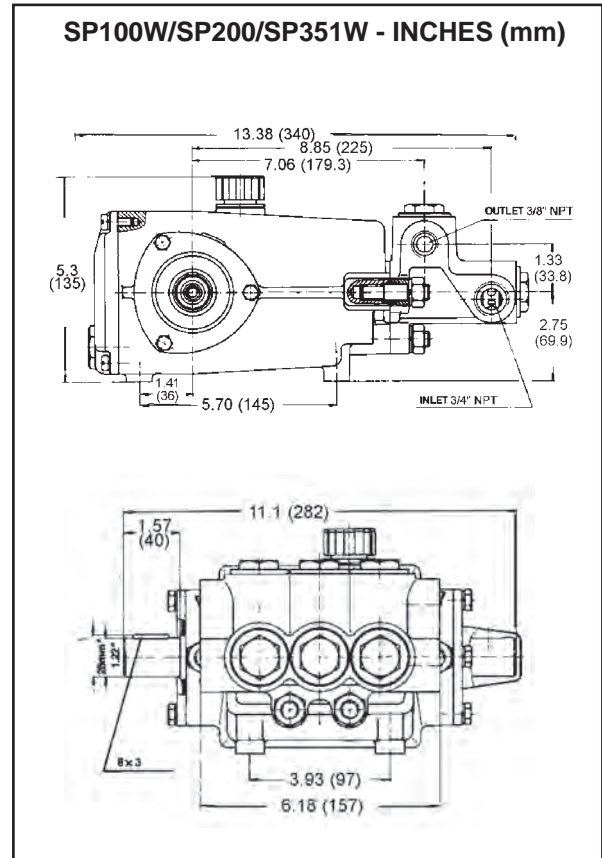
### Repair Kits

Kit	Part Number	List Price
<b>Plunger Packing Kit</b>		
(SP100)	09077	\$198.03
(SP200)	09798	\$231.02
(SP351)	09076	\$177.06
Valve Kit	09069	\$294.83

### Mounting Accessories

	Part Number	List Price
<b>Bushings</b>		
28mm Tapered H Bushing	07175	\$23.41
<b>Pulley &amp; sheaves</b>		
9.75" Cast Iron 2 gr.-AB Section	01055	\$313.64
7.75" Cast Iron 2gr.-AB Section	01062	\$264.97
<b>Plated Steel Channel Rails</b> (L=9.18"xW=1.88"xH=3.00")		
	07358*	\$74.03
<b>Bell Housing to 184T Electric</b>	08899	\$168.00
<b>Hydraulic Kit to SAE 2B</b>	HK-SP-BP100	\$391.07

\* Commercial Discount



# MP Series

Model	Flow	Pressure Continuous/ Intermittent	Speed	Power Required	Plunger Diameter	Stroke	Price
	GPM (LPM)	PSI (Bar)	RPM	HP (kW)	in (mm)	in (mm)	
MP4120	8.9 (33.8)	3625 (250)	1450	23.1 (17.2)	0.79 (20)	1.02 (26)	\$6,100.00
MP4124	12.8 (48.6)	2610 (180) / 3000 (205)	1450	24.0 (17.9)	0.95 (24)	1.02 (26)	\$6,100.00
MP4135	13.5 (51.2)	1885 (130)	1100	17.6 (13.1)	1.10 (28)	1.02 (26)	\$5,865.00
MP4130	15.4 (58.2)	1600 (110) / 2000 (140)	1100	17.6 (13.1)	1.18 (30)	1.02 (26)	\$5,865.00
MP4126	17.9 (67.7)	1600 (110)	1100	20.4 (15.2)	1.18 (30)	1.18 (30)	\$5,545.00

### Common Specification and Materials

	U.S.	(Metric)
Max Inlet Temp .....	160 °F	(70 °C)
Weight .....	66 lbs	(30 kg)
Inlet Port .....	(2) 1" NPT	
Discharge Port.....	(2) 3/4" NPT	

### Materials Used

Manifold.....	Aluminum Bronze
Plunger .....	Solid ceramic oxide
Valves .....	High Grade Stainless Steel
Seals.....	Nitrile with fabric reinforcing
Crankcase .....	Spheroidal Cast Iron

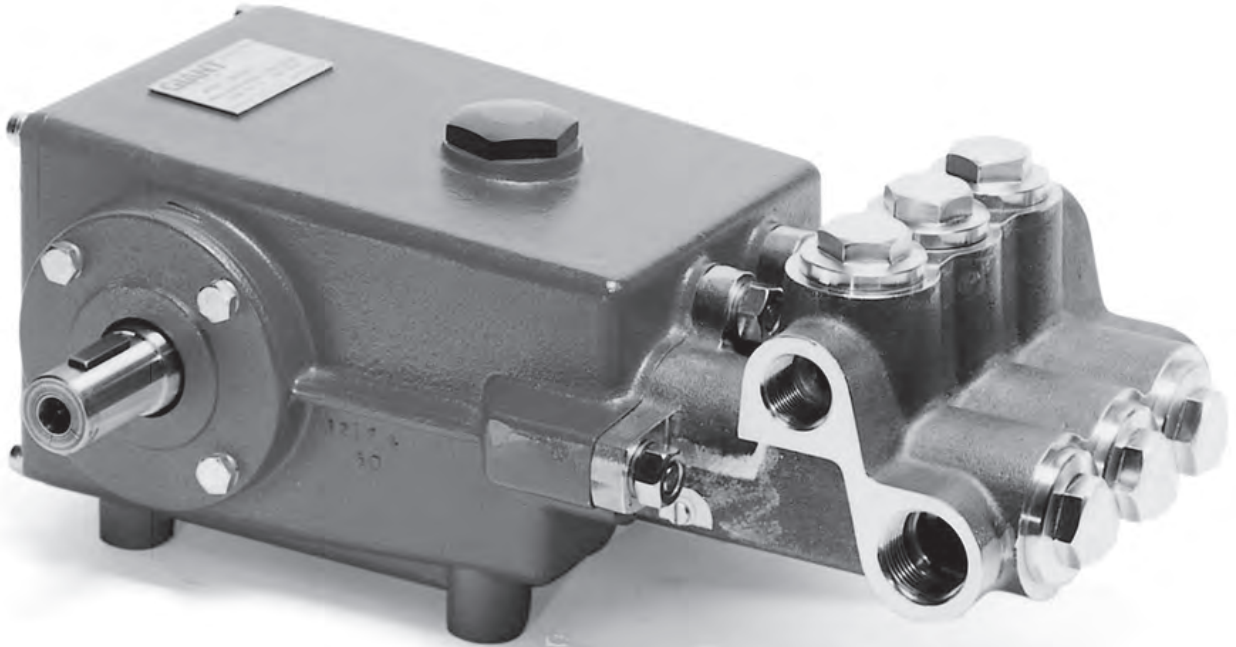
### Mounting Accessories

	Part Number	List Price
<b>Bushings</b>		
28mm Tapered H Bushing	07175*	\$23.42
<b>Pulley &amp; sheaves</b>		
9.75" Cast Iron 2 gr.-AB Section	01055*	\$313.64
7.75" Cast Iron 2gr.-AB Section	01062*	\$264.97
<b>Plated Steel Channel Rails</b> (L=9.18"xW=1.88"xH=3.00")		
	07358*	\$74.03
<b>Bell Housing</b>		
256TC Motor	06518	\$501.80
<b>Hydraulic Kits</b>		
SAE 2B Motor	HK-MP	\$561.75
SAE C Motor	HK-MP-C	\$446.25

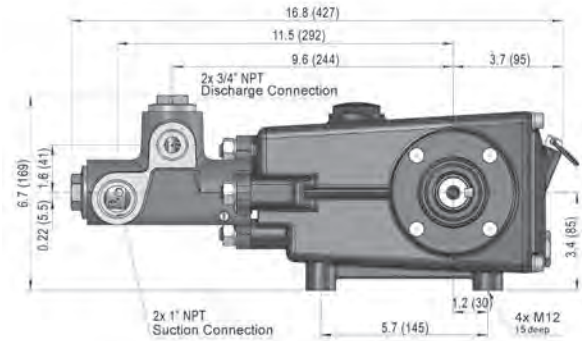
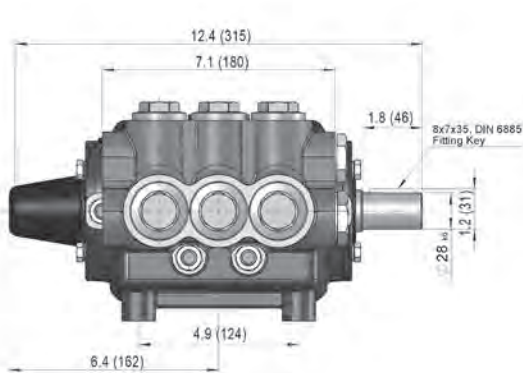
\* Commercial Discount

### Repair Kits

Kit	Part Number	List Price
Plunger Packing Kit (MP4120)	09044	\$206.17
Plunger Packing Kit (MP4124)	09300	\$259.56
Plunger Packing Kit (MP4126/MP4130)	09042	\$209.60
Plunger Packing Kit (MP4135)	09665	\$231.76
Valve Repair Kit (MP4120)	09802	\$686.55
Valve Repair Kit (MP4124)	09803	\$653.21
Valve Repair Kit (MP4126/MP4135)	09809	\$654.05
Valve Repair Kit (MP4130)	09810	\$687.50



**MP SERIES - INCHES (mm)**



## P532, P533, & P536

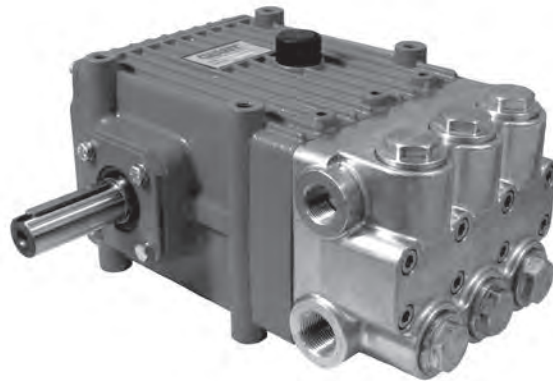
Model	Flow	Pressure	Speed	Power Required	Plunger Diameter	Stroke	Price
	GPM (LPM)	PSI (Bar)	RPM	HP (kW)	in (mm)	in (mm)	
P533	22.7 (86.0)	2175 (150)	1450	35.3 (26.3)	1.26 (32)	1.02 (26)	\$7,020.00
P532	24.4 (92.5)	2175 (150)	1450	36.6 (27.3)	1.26 (32)	1.10 (28)	\$7,020.00
P536	26.4 (100)	1740 (150)	1450	31.7 (23.6)	1.42 (36)	0.95 (24)	\$7,020.00

### Common Specifications & Materials

	U.S.	(Metric)
Max Inlet Temp.....	104 °F	(40 °C)
Weight .....	93 lbs	(42 kg)
Inlet Port.....	(2) 1" BSP	
Discharge Port.....	(2) 3/4" BSP	

#### Materials Used

Manifold.....	Brass
Plunger.....	Solid ceramic oxide
Valves.....	High Grade Stainless Steel
Seals .....	Nitrile with fabric reinforcing
Crankcase.....	Aluminum



### Repair Kits

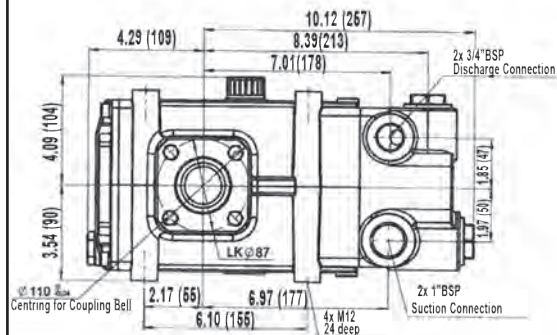
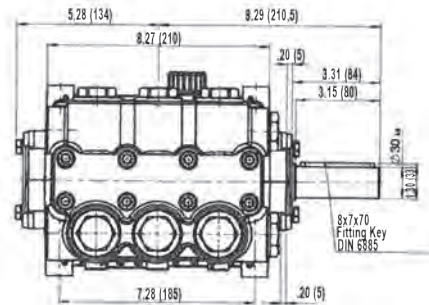
Kit	Part Number	List Price
<b>Plunger Packing Kit</b>		
(P532/P533)	09760	\$392.82
(P536)	09753	\$365.13
Valve Kit	09754	\$722.68
Oil Seal Kit	09755	\$122.98

### Mounting Accessories

	Part Number	List Price
<b>Plated Steel Channel Rails</b>		
(L=9.18"xW=1.88"xH=3.00")	07358*	\$74.03
<b>Hydraulic Kit</b>		
w/SAE-C Motor	HK-P500-SAE-C-4	\$782.25

\* Commercial Discount

### P532/P533/P536 DIMENSIONS INCHES (mm)



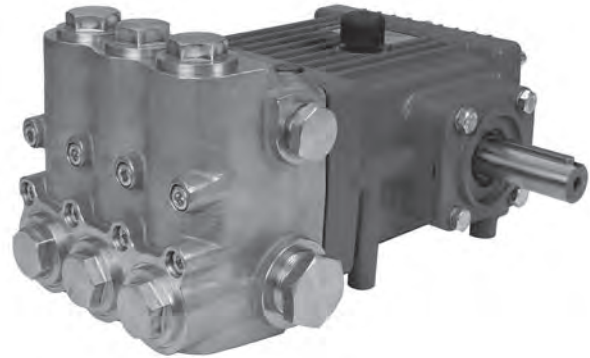
Model	Flow	Pressure	Speed	Power Required	Plunger Diameter	Stroke	Price
	<b>GPM (LPM)</b>	<b>PSI (Bar)</b>	<b>RPM</b>	<b>HP (kW)</b>	<b>in (mm)</b>	<b>in (mm)</b>	
P540	35.4 (134)	1450 (100)	1450	35.3 (26.4)	1.57 (40)	1.02 (26)	\$7,820.00
P541	35.4 (134)	1450 (100)	1450	35.3 (26.4)	1.57 (40)	1.02 (26)	\$7,570.00

### Common Specifications & Materials

	<b>U.S.</b>	<b>(Metric)</b>
Max Inlet Temp.....	104 °F	(40 °C)
Weight (P540).....	91.5 lbs	(41.5 kg)
Weight (P541).....	84.9 lbs	(38.5 kg)
Inlet Port.....	.....(2) 1-1/2" BSP	
Discharge Port.....	.....(2) 1" BSP	

### Materials Used

Manifold (P540).....	Brass
Manifold (P541).....	Nickel-Plated Spheroidal Cast Iron
Plunger.....	Solid ceramic oxide
Valves.....	High Grade Stainless Steel
Seals.....	Nitrile with fabric reinforcing
Crankcase.....	Aluminum



### Repair Kits

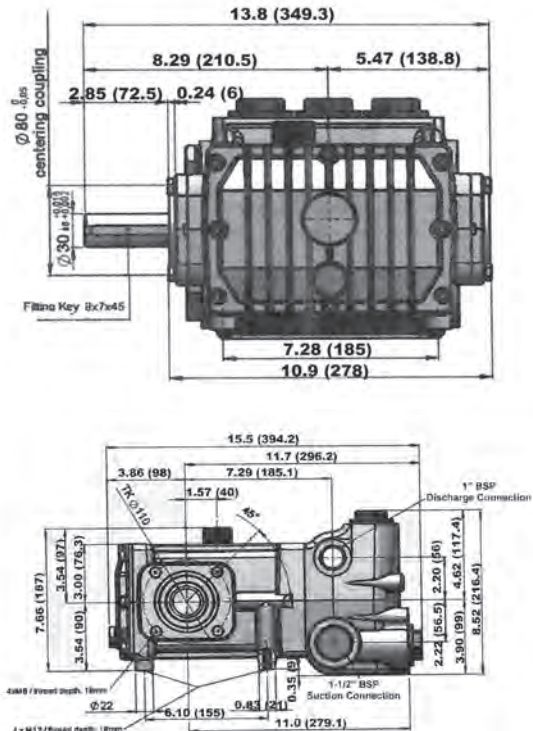
Kit	Part Number	List Price
Plunger Packing Kit	09776	\$377.42
Inlet Valve Kit	09777	\$431.89
Discharge Valve Kit	09778	\$459.04
Oil Seal Kit	09755	\$122.98

### Mounting Accessories

	Part Number	List Price
<b>Plated Steel Channel Rails</b> (L=9.18"W=1.88"xH=3.00")	07358*	\$74.03
<b>Hydraulic Kit w/SAE-C Motor</b>	HK-P500-SAE-C-4	\$782.25

\* Commercial Discount

### P540/P541 DIMENSIONS - INCHES (mm)





Model	Flow	Pressure	Speed	Power Required	Plunger Diameter	Stroke	Price
	GPM (LPM)	PSI (Bar)	RPM	HP (kW)	in (mm)	in (mm)	
LP1000	3.4 (12.8)	15,000 (1000)	1000	36.4 (27.2)	0.47 (12)	1.65 (42)	\$18,800.00
LP800	4.6 (17.4)	11,600 (800)	1000	38.1 (28.4)	0.55 (14)	1.65 (42)	\$18,800.00
LP900	6.0 (22.8)	8700 (600)	1000	37.3 (27.8)	0.63 (16)	1.65 (42)	\$18,800.00

### Common Specifications & Materials

	U.S.	(Metric)
Max Inlet Temp .....	104 °F	(40 °C)
Weight .....	115 lbs	(52 kg)
Inlet Port .....	(2) 1/2" BSP	
Discharge Port.....	(2) 3/8" BSP	
<b>Materials Used</b>		
Manifold .....	AISI 303 S.S.	
Plunger .....	Zirconia Ceramic Oxide	
Valves .....	Stainless Steel	
Seals.....	Aramid Packing	
Crankcase .....	Spheroidal Cast Iron	



### Repair Kits

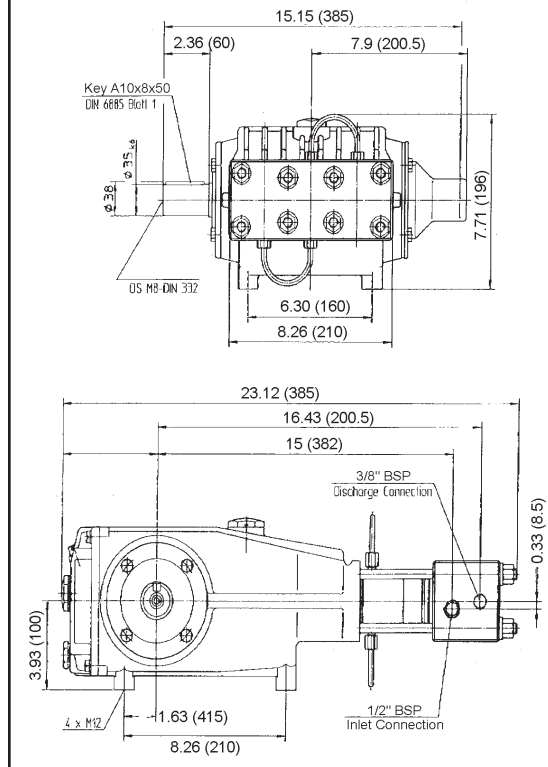
Kit	Part Number	List Price
Plunger Packing Kit:		
(LP1000)	09517	\$692.16
(LP800)	09618	\$605.64
(LP900)	09729	\$540.75
Valve Kit	09518	\$3,029.80
Oil Seal Kit	09577	\$46.44

### Mounting Accessories

	Part Number	List Price
<b>Bushings</b>		
35mm H Bushing	06496*	\$135.19
<b>Pulley &amp; sheaves</b>		
12.75" Cast Iron		
4gr. AB Section	07165*	\$183.86
<b>Plated Steel Channel Rails</b>		
L=11.75"		
W=1.88"		
H=3.00"	07357	\$146.79
<b>Hydraulic Kit</b>		
w/SAE-C Motor	HK-LP-SAE-C-4	\$782.25

\* Commercial Discount

### LP800/LP900/LP1000 - INCHES (mm)



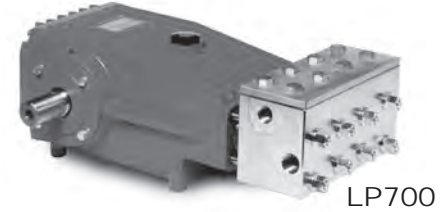
Model	Flow	Pressure	Speed	Power Required	Plunger Diameter	Stroke	Price
	GPM (LPM)	PSI (Bar)	RPM	HP (kW)	in (mm)	in (mm)	
LP700	7.9 (30)	7250 (500)	1000	39.8 (29.7)	0.71 (18)	1.65 (42)	\$15,000.00
LP750	7.9 (30)	7250 (500)	1000	39.8 (29.7)	0.71 (18)	1.65 (42)	\$12,900.00

### Common Specifications & Materials

	U.S.	(Metric)
Max Inlet Temp .....	104 °F	(40 °C)
Weight .....	147 lbs	(66.5 kg)
Inlet Port .....	(2) 3/4" BSP	
Discharge Port .....	(2) 1/2" BSP	

### Materials Used

Manifold (LP700) .....	AISI 303 S.S.
Manifold (LP750) .....	Forged Brass
Plunger .....	Stainless Steel/Hard Metal Coating
Valves .....	Stainless Steel
Seals .....	Nitrile with Fabric Reinforcing
Crankcase .....	Spheroidal Cast Iron



LP700



LP750

### Repair Kits

Kit	Part Number	List Price
<u>Plunger Packing Kits:</u>		
(LP700)	09736	\$963.78
(LP750)	09737	\$745.10
Valve Kit (LP700)	09491	\$2,401.53
Valve Kit (LP750)	09738	\$1,337.86
Oil Seal Kit	09577	\$46.44

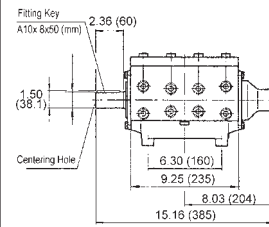
### Mounting Accessories

	Part Number	List Price
<b>Bushings</b>		
35mm H Bushing	06496*	\$135.19
<b>Pulley &amp; sheaves</b>		
12.75" Cast Iron		
4gr. AB Section	07165*	\$183.86
<b>Plated Steel Channel Rails</b>		
L=11.75"		
W=1.88"		
H=3.00"	07357	\$146.79
<b>Hydraulic Kit</b>		
w/SAE-C Motor	HK-LP-SAE-C-4	\$782.25

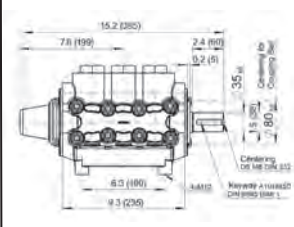
\* Commercial Discount

### LP700/LP750 DIMENSIONS - INCHES (mm)

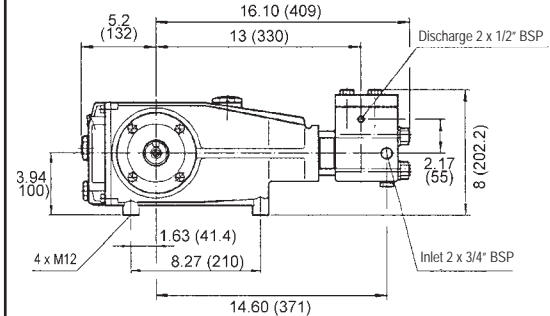
#### LP700



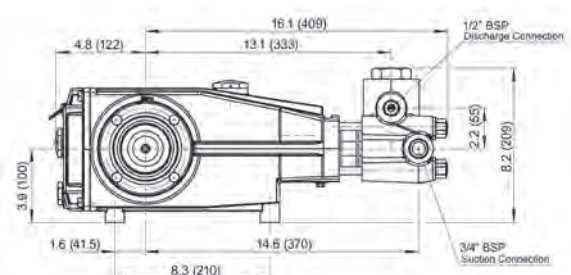
#### LP750



#### LP700



#### LP750



## LP600 & LP600-4000

Model	Flow	Pressure	Speed	Power Required	Plunger Diameter	Stroke	Price
	<b>GPM (LPM)</b>	<b>PSI (Bar)</b>	<b>RPM</b>	<b>HP (kW)</b>	<b>in (mm)</b>	<b>in (mm)</b>	
LP600	9.8 (37.0)	6000 (400)	1000	38.8 (29.0)	0.79 (20)	1.65 (42)	\$10,620.00
LP600-4000	9.8 (37.0)	6000 (400)	1000	38.8 (29.0)	0.79 (20)	1.65 (42)	\$13,435.00

### Common Specifications & Materials

	U.S.	(Metric)
Max Inlet Temp .....	140 °F	(60 °C)
Weight .....	119 lbs	(54 kg)
Inlet Port .....	(2) 1-1/4" BSP	
Discharge Port.....	(2) 1" BSP	
<b>Materials Used</b>		
Manifold.....	AISI 303 S.S.	
Plunger.....	Solid Ceramic Oxide	
Valves.....	Duplex Steel	
Seals.....	Nitrile with Fabric Reinforcing	
Crankcase .....	Spheroidal Cast Iron	

**\*LP600-4000 - All internal wet-end parts are at least 303 Stainless Steel.**



### Repair Kits

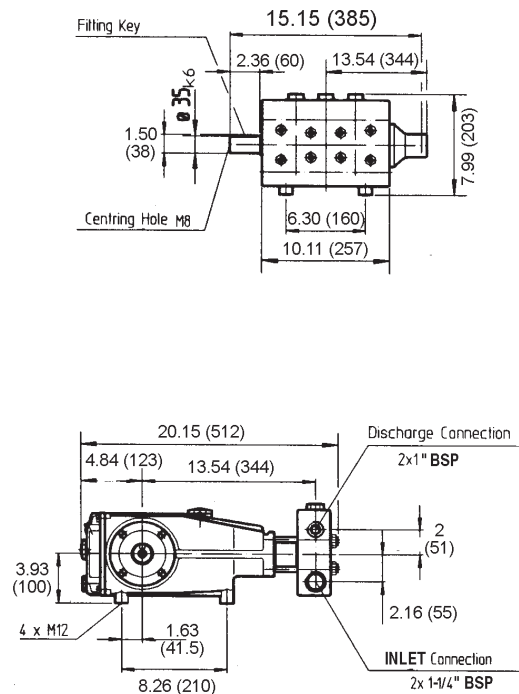
Kit	Part Number	List Price
Plunger Packing Kit (LP600)	09197	\$848.93
Plunger Packing Kit (LP600-4000)	09197-4000	\$905.94
Valve Kit (3)	09195	\$746.32
Oil Seal Kit	09577	\$46.44

### Mounting Accessories

	Part Number	List Price
<b>Bushings</b>		
35mm H Bushing	06496*	\$135.19
<b>Pulley &amp; sheaves</b>		
12.75" Cast Iron 4gr. AB Section	07165*	\$183.86
<b>Plated Steel Channel Rails</b> (L=11.75"xW1.88"xH=3.00")	07357	\$146.79
<b>Hydraulic Kit</b> w/SAE-C Motor		
	HK-LP-SAE-C-4	\$782.25

\* Commercial Discount

### LP600 DIMENSIONS - INCHES (mm)



Model	Flow	Pressure	Speed	Power Required	Plunger Diameter	Stroke	Price
	<b>GPM (LPM)</b>	<b>PSI (Bar)</b>	<b>RPM</b>	<b>HP (kW)</b>	<b>in (mm)</b>	<b>in (mm)</b>	
LP460	9.8 (37.0)	6000 (400)	1000	39.2 (29.2)	0.79 (20)	1.65 (42)	\$8,250.00
LP470	12.2 (46.0)	4640 (320)	1000	39.0 (29.1)	0.87 (22)	1.65 (42)	\$10,000.00

### Common Specifications & Materials

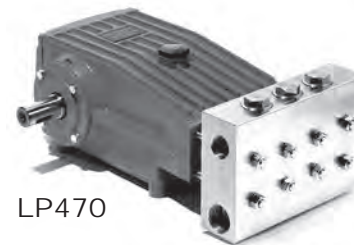
	U.S.	(Metric)
Max Inlet Temp (LP460) ....	104 °F	(40 °C)
Max Inlet Temp (LP470) ....	140 °F	(60 °C)
Weight .....	119 lbs	(54 kg)
Inlet Port .....	(2) 1-1/4" BSP	
Discharge Port.....	(2) 1" BSP	

### Materials Used

Manifold (LP460) .....	Special Brass
Manifold (LP470) .....	Stainless Steel
Plunger .....	Solid Ceramic Oxide
Valves .....	Duplex Steel
Seals.....	Nitrile with Fabric Reinforcing
Crankcase .....	Spheroidal Cast Iron



LP460



LP470

### Repair Kits

Kit	Part Number	List Price
Plunger Packing Kit: (LP460)	09743	\$812.26
(LP470)	09741	\$58.83
Valve Kit (LP460)	09744	\$2,363.55
Valve Kit (LP470)	09742	\$2,559.43
Oil Seal Kit	09577	\$46.44

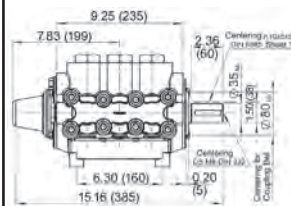
### Mounting Accessories

	Part Number	List Price
<b>Bushings</b>		
35mm H Bushing	06496*	\$135.19
<b>Pulley &amp; sheaves</b>		
12.75" Cast Iron 4gr. AB Section	07165*	\$183.86
<b>Plated Steel Channel Rails</b> (L=11.75"xW1.88"xH=3.00")	07357	\$146.79
<b>Hydraulic Kit</b> w/SAE-C Motor	HK-LP-SAE-C-4	\$782.25

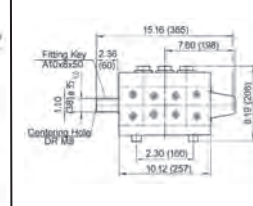
\* Commercial Discount

### LP460/LP470 DIMENSIONS - INCHES (mm)

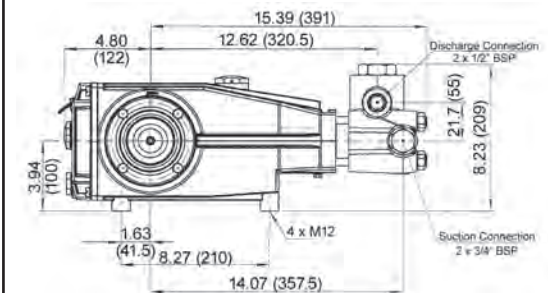
#### LP460



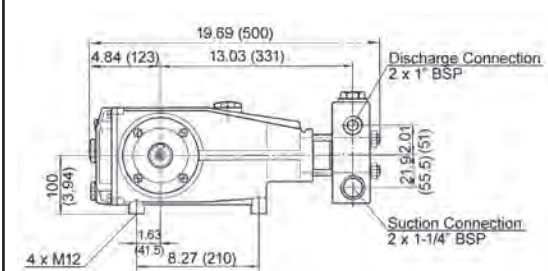
#### LP470



#### LP460



#### LP470



Model	Flow Continuous/ Intermittent	Pressure	Speed Continuous/ Intermittent	Power Required	Plunger Diameter	Stroke	Price
	GPM (LPM)	PSI (Bar)	RPM	HP (kW)	in (mm)	in (mm)	
LP605	10.6 (40.0)	6090 (420)	1100	44.5 (33.2)	0.79 (20)	1.65 (42)	\$9,100.00
LP305	15.9 (60.0) / 18.2 (69)	4060 (280)	1100 / 1245	51.0 (38.0)	0.95 (24)	1.65 (42)	\$9,100.00

### Common Specifications & Materials

	U.S.	(Metric)
Max Inlet Temp .....	140 °F	(60 °C)
Weight .....	125 lbs	(56.5 kg)
Inlet Port .....	(2) 1" NPT	
Discharge Port.....	(2) 3/4" NPT	
<b>Materials Used</b>		
Manifold .....	AISI 303 S.S.	
Plunger .....	Solid ceramic oxide	
Valves .....	High Grade Stainless Steel	
Seals.....	Nitrile with fabric reinforcing	
Crankcase .....	Spheroidal Cast Iron	



### Repair Kits

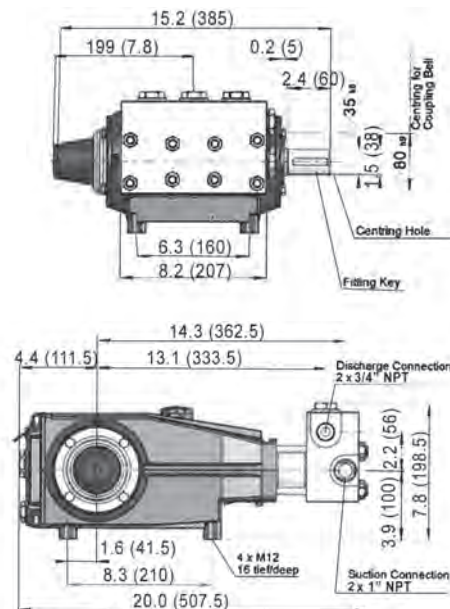
Kit	Part Number	List Price
Plunger Packing Kit:		
(LP305)	09789	\$218.97
(LP605)	09791	\$629.80
Valve Kit	09792	\$808.48
Oil Seal Kit	09577	\$46.44

### Mounting Accessories

	Part Number	List Price
<b>Bushings</b>		
35mm H Bushing	06496*	\$135.19
<b>Pulley &amp; sheaves</b>		
12.75" Cast Iron		
4gr. AB Section	07165*	\$183.86
<b>Plated Steel Channel Rails</b>		
(L=11.75"xW1.88"xH=3.00")	07357	\$146.79
<b>Hydraulic Kit</b>		
w/SAE-C Motor	HK-LP-SAE-C-4	\$782.25

\* Commercial Discount

LP605/LP305 DIMENSIONS - INCHES (mm)





Model	Flow	Pressure	Speed	Power Required	Plunger Diameter	Stroke	Price
	<b>GPM (LPM)</b>	<b>PSI (Bar)</b>	<b>RPM</b>	<b>HP (kW)</b>	<b>in (mm)</b>	<b>in (mm)</b>	
LP650	15.9 (60.0)	6000 (400)	1080	42.2 (31.5)	0.79 (20)	1.65 (42)	\$12,470.00

**Common Specifications & Materials**

	U.S.	(Metric)
Max Inlet Temp(LP650) ....	104 °F	(40 °C)
Max Inlet Temp(LP755) ....	140 °F	(60 °C)
Inlet Port .....	(2) 3/4" NPT	
Discharge Port.....	(2) 1/2" NPT	

**Materials Used**

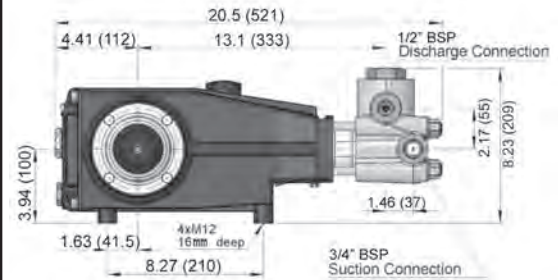
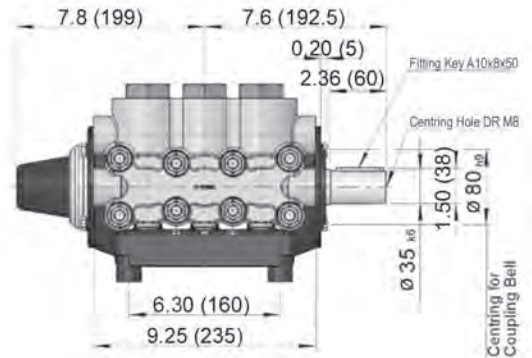
Manifold.....	Forged Brass
Plunger .....	Solid ceramic oxide
Valves .....	High Grade Stainless Steel
Seals.....	Nitrile with fabric reinforcing
Crankcase .....	Spheroidal Cast Iron



**Repair Kits**

Kit	Part Number	List Price
Plunger Packing Kit:		
(LP650)	09837	\$359.63
(LP755)	09838	\$292.78
Valve Kit	09738	\$1,337.86
Oil Seal Kit	09577	\$46.44

**LP650 DIMENSIONS - INCHES (mm)**



**Mounting Accessories**

	Part Number	List Price
<b>Bushings</b>		
35mm H Bushing	06496*	\$135.19
<b>Pulley &amp; sheaves</b>		
12.75" Cast Iron		
4gr. AB Section	07165*	\$183.86
<b>Plated Steel Channel Rails</b>		
(L=11.75"xW1.88"xH=3.00")	07357	\$146.79
<b>Hydraulic Kit</b>		
w/SAE-C Motor	HK-LP-SAE-C-4	\$782.25

\* Commercial Discount

Model	Flow Continuous/ Intermittent	Pressure	Speed Continuous/ Intermittent	Power Required	Plunger Diameter	Stroke	Price
	GPM (LPM)	PSI (Bar)	RPM	HP (kW)	in (mm)	in (mm)	
LP301A	14.2 (53.6) 18.0 (68.1)	4000 (275)	1000 1268	39.2 (29.2) 49.7 (37.0)	0.95 (24)	1.65 (42)	\$9,565.00
LP301A-SSP	14.2 (53.6) 18.0 (68.1)	4000 (275)	1000 1268	39.2 (29.2) 49.7 (37.0)	0.95 (24)	1.65 (42)	\$10,100.00

### Common Specifications & Materials

	U.S.	(Metric)
Max Inlet Temp .....	140 °F	(60 °C)
Weight .....	119 lbs	(54 kg)
Inlet Port .....	(2) 1-1/4" BSP	
Discharge Port.....	(2) 1" BSP	

#### Materials Used

Manifold.....	AISI 303 S.S.
Plunger (except-SSP).....	Solid ceramic oxide
Plunger (-SSP) .....	Stainless Steel
Valves .....	Duplex Steel
Seals.....	Nitrile with fabric reinforcing
Crankcase .....	Spheroidal Cast Iron

**\*LP301-4000 - All internal wet-end parts are at least 303 Stainless Steel.**



### Repair Kits

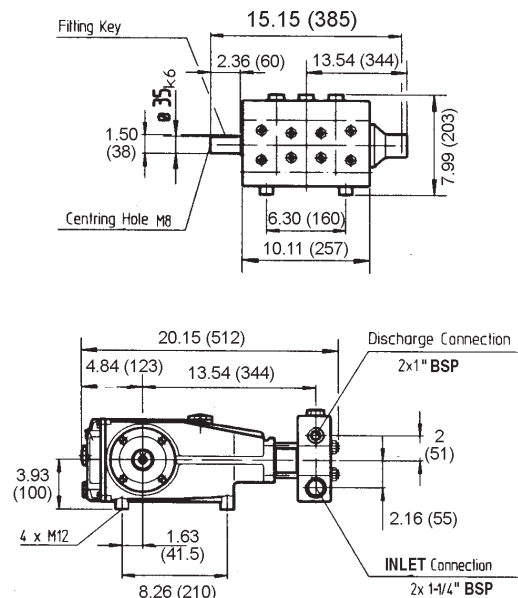
Kit	Part Number	List Price
<b>Plunger Packing Kit:</b>		
(LP301A)	09459	\$472.30
(LP301A-4000)	09459-4000	\$521.55
Valve Kit (3)	09196	\$475.71
Oil Seal Kit	09577	\$46.44

### Mounting Accessories

	Part Number	List Price
<b>Bushings</b>		
35mm H Bushing	06496*	\$135.19
<b>Pulley &amp; sheaves</b>		
12.75" Cast Iron 4gr. AB Section	07165*	\$183.86
<b>Plated Steel Channel Rails</b> (L=11.75"xW1.88"xH=3.00")		
	07357	\$146.79
<b>Hydraulic Kit</b>		
w/SAE-C Motor	HK-LP-SAE-C-4	\$782.25

\* Commercial Discount

### LP301 DIMENSIONS - INCHES (mm)



# LP301AGB

## Gearbox with Pinion Drive

Model	Flow Continuous/ Intermittent	Pressure	Speed Continuous/ Intermittent	Power Required	Plunger Diameter	Stroke	Price
	GPM (LPM)	PSI (Bar)	RPM	HP (kW)	in (mm)	in (mm)	
LP301AGB	14.2 (53.6) 18.0 (68.1)	4000 (275)	1000 1268	39.2 (29.2) 49.7 (37.0)	0.95 (24)	1.65 (42)	\$13,440.00

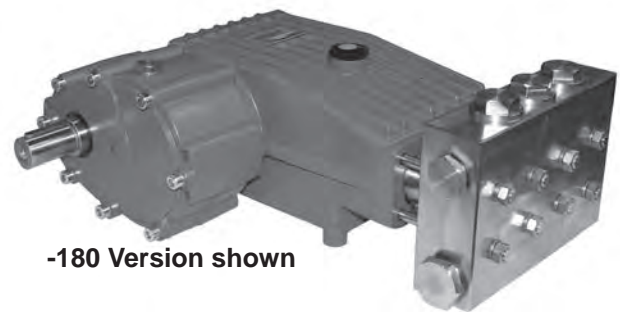
### Common Specifications & Materials

	U.S.	(Metric)
Max Inlet Temp .....	140 °F	(60 °C)
Weight .....	172 lbs	(78 kg)
Inlet Port .....	(2) 1-1/4" BSP	
Discharge Port .....	(2) 1" BSP	

#### Materials Used

Manifold .....	AISI 303 S.S.
Plunger (except-SSP) .....	Solid ceramic oxide
Plunger (-SSP) .....	Stainless Steel
Valves .....	Duplex Steel
Seals .....	Nitrile with fabric reinforcing
Crankcase .....	Spheroidal Cast Iron

**Gear Ratio** ..... 2.0:1



-180 Version shown

Available Gearbox orientations -  
90°, 180° and 270° positions

### Repair Kits

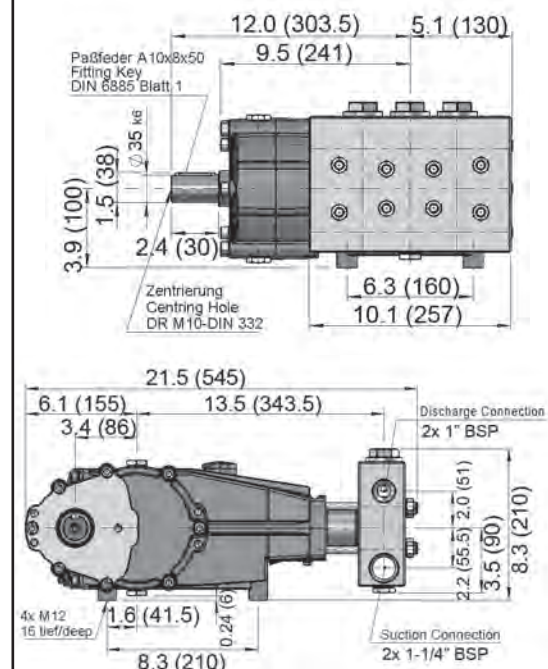
Kit	Part Number	List Price
Plunger Packing Kit	09459	\$472.30
Valve Kit (3)	09196	\$475.71
Valve Kit (6)	09196A	\$951.42
Oil Seal Kit	09577	\$46.44

### Mounting Accessories

	Part Number	List Price
<b>Bushings</b>		
35mm H Bushing	06496*	\$135.19
<b>Pulley &amp; sheaves</b>		
12.75" Cast Iron		
4gr. AB Section	07165*	\$183.86
<b>Plated Steel Channel Rails</b> (L=11.75"xW1.88"xH=3.00")	07357	\$146.79

\* Commercial Discount

### LP301GB DIMENSIONS - INCHES (mm)



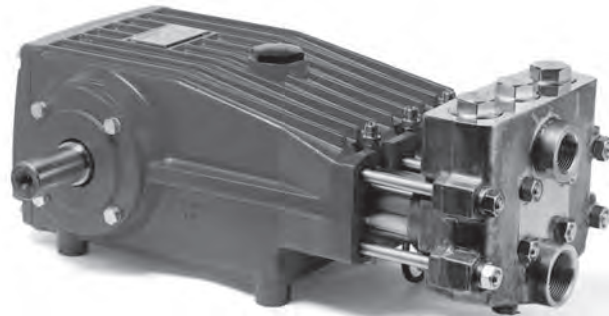
Model	Flow	Pressure	Speed	Power Required	Plunger Diameter	Stroke	Price
	GPM (LPM)	PSI (Bar)	RPM	HP (kW)	in (mm)	in (mm)	
LP400	15.1 (57.0)	3600 (250)	1000	37.5 (28.0)	0.94 (24)	1.65 (42)	\$8,100.00
LP450	19.7 (74.5)	2600 (180)	1000	35.3 (26.3)	1.10 (28)	1.65 (42)	\$8,100.00
LP350	22.6 (85.5)	2300 (160)	1000	36.2 (27.0)	1.18 (30)	1.65 (42)	\$8,100.00

### Common Specifications & Materials

	U.S.	(Metric)
Max Inlet Temp .....	140 °F	(60 °C)
Weight .....	110 lbs	(50 kg)
Inlet Port .....	(2) 1-1/4" BSP	
Discharge Port.....	(2) 1" BSP	

### Materials Used

Manifold.....	Aluminum Bronze
Plunger .....	Solid ceramic oxide
Valves .....	Duplex Steel
Seals.....	Nitrile with fabric reinforcing
Crankcase .....	Spheroidal Cast Iron



### Repair Kits

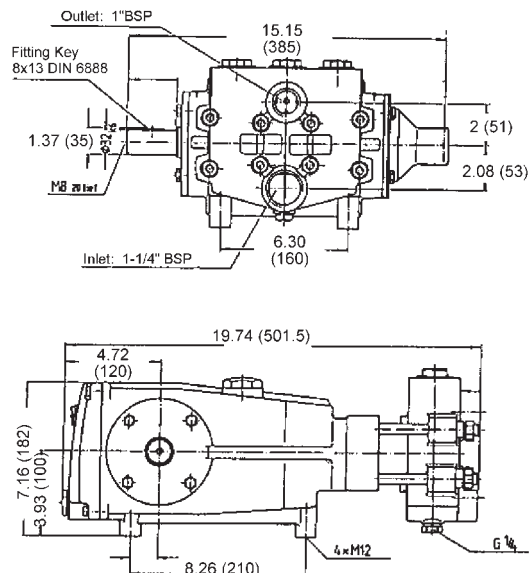
Kit	Part Number	List Price
Plunger Packing Kit (LP350)	09546	\$269.39
Plunger Packing Kit (LP400)	09548	\$250.29
Plunger Packing Kit (LP450)	09549	\$363.95
Valve Kit (3)	09196	\$475.71
Oil Seal Kit	09577	\$46.44

### Mounting Accessories

	Part Number	List Price
<b>Bushings</b>		
35mm H Bushing	06496*	\$135.19
<b>Pulley &amp; sheaves</b>		
12.75" Cast Iron 4gr. AB Section	07165*	\$183.86
<b>Plated Steel Channel Rails</b> (L=11.75"xW1.88"x H=3.00")		
	07357	\$146.79
<b>Hydraulic Kit</b> w/SAE-C Motor		
	HK-LP-SAE-C-4	\$782.25

\* Commercial Discount

### LP350, LP400, LP450 - INCHES (mm)



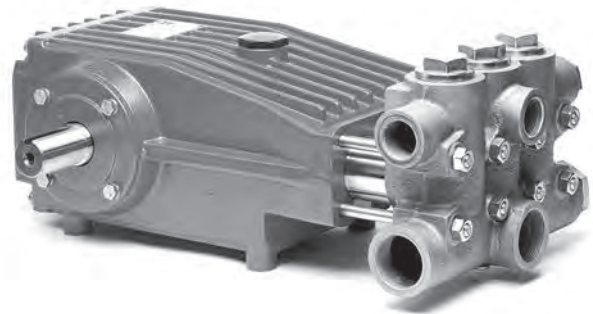
Model	Flow	Pressure	Speed	Power Required	Plunger Diameter	Stroke	Price
	GPM (LPM)	PSI (Bar)	RPM	HP (kW)	in (mm)	in (mm)	
LP200	19.0 (72.1)	2900 (200)	1000	38.3 (28.6)	1.10 (28)	1.65 (42)	\$9,500.00
LP200-SS	19.0 (72.1)	2900 (200)	1000	38.3 (28.6)	1.10 (28)	1.65 (42)	\$9,555.00
LP250	26.0 (98.3)	2200 (150)	1000	39.7 (29.6)	1.26 (32)	1.65 (42)	\$9,500.00
LP121A	32.5 (123.1)	1740 (120)	1000	39.3 (29.3)	1.42 (36)	1.65 (42)	\$9,500.00

### Common Specifications & Materials

	U.S.	(Metric)
Max Inlet Temp .....	140 °F	(60 °C)
Weight .....	119 lbs	(54 kg)
Inlet Port .....	(3) 1-1/2" BSP	
Discharge Port.....	(3) 1" BSP	

#### Materials Used

Manifold (except LP200-SS) ..Aluminum Bronze  
 Manifold (LP200-SS) ..... Stainless Steel  
 Plunger ..... Solid ceramic oxide  
 Valves ..... Duplex Steel  
 Seals..... Nitrile with fabric reinforcing  
 Crankcase .....Spheroidal Cast Iron



### Repair Kits

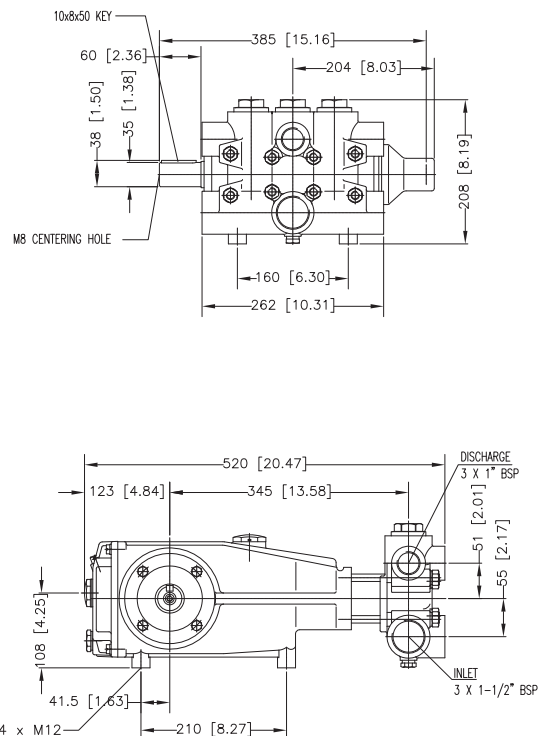
Kit	Part Number	List Price
<u>Plunger Packing Kit</u>		
(LP200)	09307	\$360.94
(LP250)	09308	\$570.97
Valve Kit (3)	09196	\$475.71
Oil Seal Kit	09577	\$46.44

### Mounting Accessories

	Part Number	List Price
<b>Bushings</b>		
35mm H Bushing	06496*	\$135.19
<b>Pulley &amp; sheaves</b>		
12.75" Cast Iron		
4gr. AB Section	07165*	\$183.86
<b>Plated Steel Channel Rails</b>		
(L=11.75"xW1.88"xH=3.00")	07357	\$146.79
<b>Hydraulic Kit</b>		
w/SAE-C Motor	HK-LP-SAE-C-4	\$782.25

\* Commercial Discount

### LP121A/LP200/LP250 DIMENSIONS- INCHES (mm)





**Gearbox with Pinion Drive**

Model	Flow	Pressure	Speed	Power Required	Plunger Diameter	Stroke	Price
	GPM (LPM)	PSI (Bar)	RPM	HP (kW)	in (mm)	in (mm)	
LP200GB	19.0 (72.1)	2900 (200)	1000	38.3 (28.6)	1.10 (28)	1.65 (42)	\$12,810.00
LP200GB-SS	19.0 (72.1)	2900 (200)	1000	38.3 (28.6)	1.10 (28)	1.65 (42)	\$13,440.00

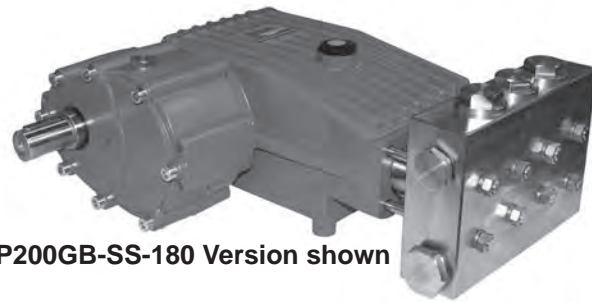
**Common Specifications & Materials**

	U.S.	(Metric)
Max Inlet Temp .....	140 °F	(60 °C)
Weight .....	119 lbs	(54 kg)
Inlet Port .....	(3) 1-1/4" BSP	
Discharge Port.....	(3) 1" BSP	

**Materials Used**

Manifold (LP200GB) .....	Aluminum Bronze
Manifold (LP200GB-SS) .....	Stainless Steel
Plunger .....	Solid ceramic oxide
Valves .....	Duplex Steel
Seals.....	Nitrile with fabric reinforcing
Crankcase .....	Spheroidal Cast Iron

**Gear Ratio .....** 2.0:1



LP200GB-SS-180 Version shown

**Available Gearbox orientations - 90°, 180° and 270° positions**

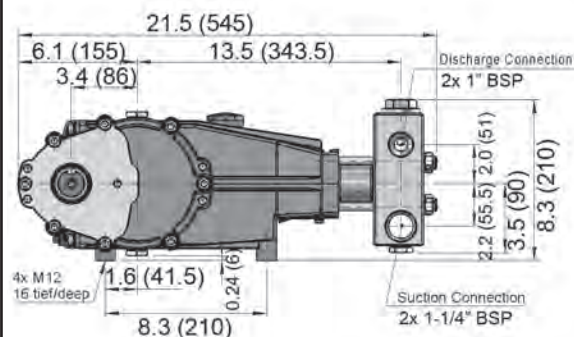
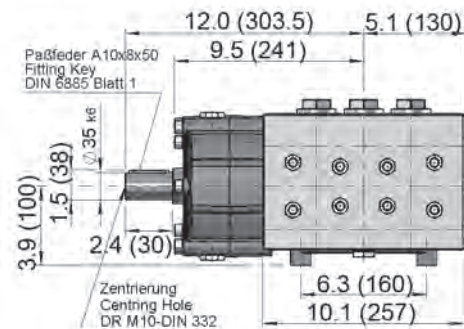
**Repair Kits**

Kit	Part Number	List Price
Plunger Packing Kit:		
(LP200)	09307	\$360.94
(LP250)	09308	\$570.97
Valve Kit (3)	09196	\$475.71
Oil Seal Kit	09577	\$46.44

**Mounting Accessories**

	Part Number	List Price
<b>Plated Steel Channel Rails</b> (L=11.75"xW1.88"xH=3.00")	07357	\$146.79

**LP200GB-SS-180 DIMENSIONS- INCHES (mm)**



# LP200GBHS

## Hydraulic Drive

Model	Flow	Pressure	Speed	Power Required	Plunger Diameter	Stroke	Price
	<b>GPM (LPM)</b>	<b>PSI (Bar)</b>	<b>RPM</b>	<b>HP (kW)</b>	<b>in (mm)</b>	<b>in (mm)</b>	
LP200GBHS	19.0 (72.1)	2900 (200)	1000	38.3 (28.6)	1.10 (28)	1.65 (42)	\$12,910.00
LP200GBHS-SS	19.0 (72.1)	2900 (200)	1000	38.3 (28.6)	1.10 (28)	1.65 (42)	\$13,650.00

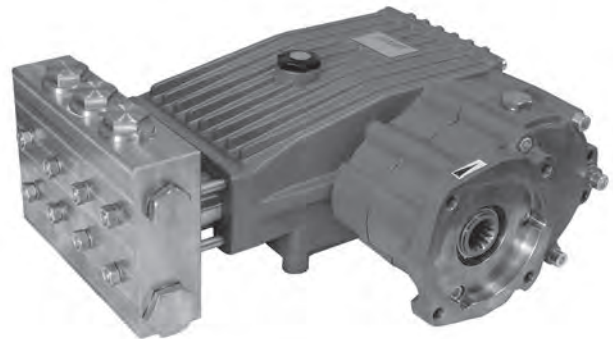
### Common Specifications & Materials

	U.S.	(Metric)
Max Inlet Temp .....	140 °F	(60 °C)
Weight .....	119 lbs	(54 kg)
Inlet Port .....	(3) 1-1/2" BSP	
Discharge Port.....	(3) 1" BSP	

#### Materials Used

Manifold (except LP200-SS) ..Aluminum Bronze  
 Manifold (LP200-SS) ..... Stainless Steel  
 Plunger ..... Solid ceramic oxide  
 Valves ..... Duplex Steel  
 Seals..... Nitrile with fabric reinforcing  
 Crankcase .....Spheroidal Cast Iron

**Gear Ratio .....2.0:1**



Available Gearbox orientations -  
90°, 180° and 270° positions

### Repair Kits / Accessories

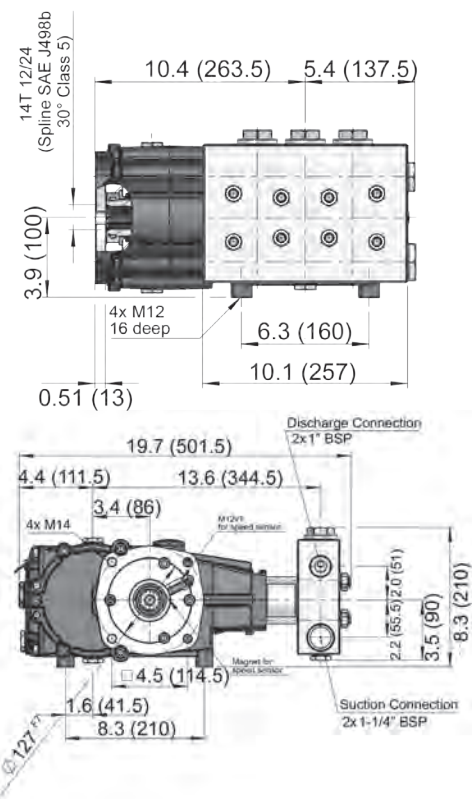
Kit	Part Number	List Price
Plunger Packing Kit:		
(LP200)	09307	\$360.94
(LP250)	09308	\$570.97
Valve Kit (3)	09196	\$475.71
Oil Seal Kit	09577	\$46.44
Anti-Seize	03325*	\$6.98

\* Commercial Discount

### Mounting Accessories

	Part Number	List Price
<b>Plated Steel Channel Rails</b> (L=11.75"xW1.88"xH=3.00")	07357	\$146.79

### LP200GBHS-SS DIMENSIONS- INCHES (mm)



Model	Flow	Pressure	Speed	Power Required	Plunger Diameter	Stroke	Price
	GPM (LPM)	PSI (Bar)	RPM	HP (kW)	in (mm)	in (mm)	
LP255	26.0 (98.3)	2175 (150)	1000	39.4 (29.4)	1.26 (32)	1.65 (42)	\$8,450.00
LP122A	35.4 (134)	1300 (90)	800	33.1 (24.7)	1.65 (42)	1.65 (42)	\$8,900.00
LP123	35.4 (134)	1300 (90)	800	33.1 (24.7)	1.26 (32)	1.65 (42)	\$7,950.00
LP122A-4000	35.4 (134)	1300 (90)	800	33.1 (24.7)	1.65 (42)	1.65 (42)	\$10,500.00

**Common Specifications & Materials**

	U.S.	(Metric)
Max Inlet Temp .....	140 °F	(60 °C)
Weight .....	126 lbs	(57 kg)
Inlet Port .....	(2) 1-1/2" NPT	
Discharge Port.....	(2) 1" NPT	

**Materials Used**

Plunger .....	Solid ceramic oxide
Valves .....	Duplex Steel
Seals.....	Nitrile with fabric reinforcing
Crankcase .....	Spheroidal Cast Iron



LP122A/LP123/LP255



LP122A-4000

**Repair Kits**

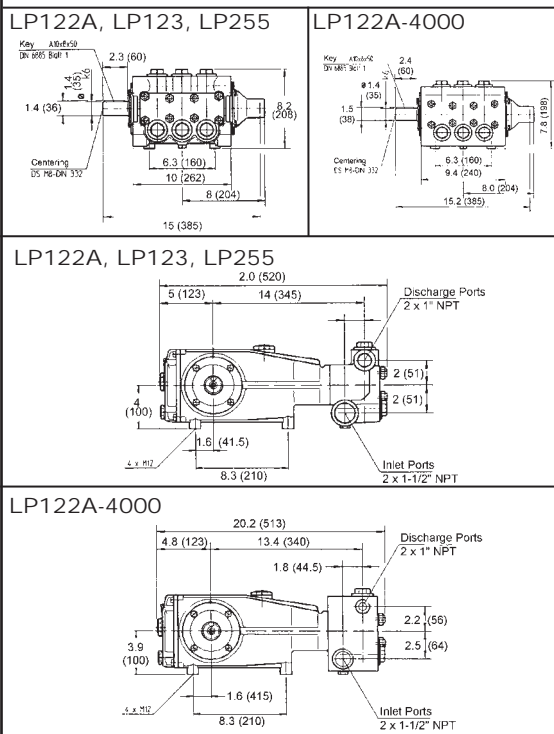
Kit	Part Number	List Price
Plunger Packing Kit: (except LP255)	09477	\$456.14
(LP255 only)	09535	\$635.95
Valve Kit (3)	09136	\$538.00
Oil Seal Kit	09577	\$46.44

**Mounting Accessories**

	Part Number	List Price
<b>Bushings</b>		
35mm H Bushing	06496*	\$135.19
<b>Pulley &amp; sheaves</b>		
12.75" Cast Iron		
4gr. AB Section	07165*	\$183.86
<b>Plated Steel Channel Rails</b> (L=11.75"xW1.88"xH=3.00")	07357	\$146.79
<b>Hydraulic Kit</b> w/SAE-C Motor	HK-LP-SAE-C-4	\$782.25

\* Commercial Discount

**LP122, LP122A-4000, LP123, LP255 DIMENSIONS - INCHES (mm)**



# **Large Industrial Pumps:**

**-GP5100 Series**

**-GP6100 Series**

**-GP7100 Series**

**(pages 54 to 65)**

# GP5100 Series



## High Pressure Pumps

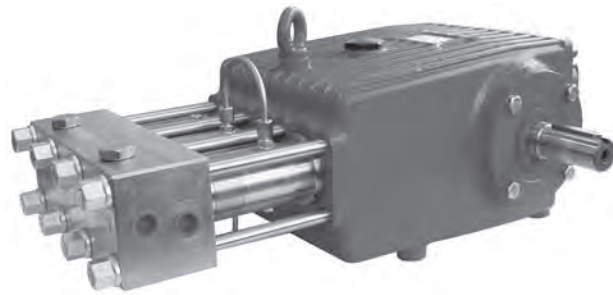
Model	Flow Continuous/ Intermittent	Pressure Continuous/ Intermittent	Speed	Power Required Continuous/ Intermittent	Plunger Diameter	Price
	GPM (LPM)	PSI (Bar)	RPM	HP (kW)	in (mm)	
GP5114	4.8 (18.0)	17,400 (1200)	1000	58.4 (43.6)	0.55 (14)	\$21,915.00
GP5116	5.5 (20.9) 7.0 (26.6)	14,500 (1000) 11,600 (800)	850 1050	55.8 (41.6) 56.0 (41.8)	0.63 (16)	\$21,915.00

### Common Specifications & Materials

	U.S.	(Metric)
Stroke .....	1.81"	(46 mm)
Max Inlet Temp .....	104 °F	(40 °C)
Weight .....	182 lbs.	(82.5 kg)
Inlet Port .....	(2) 1/2" BSP	
Discharge Port.....	(2) 1/2" BSP	

### Materials Used

Manifold .....	Stainless Steel
Plunger .....	Special Ceramic
Valves .....	Duplex Steel/Plastic Retainer
Seals.....	Aramid/Teflon Packing
Crankcase .....	Spheroidal Cast Iron



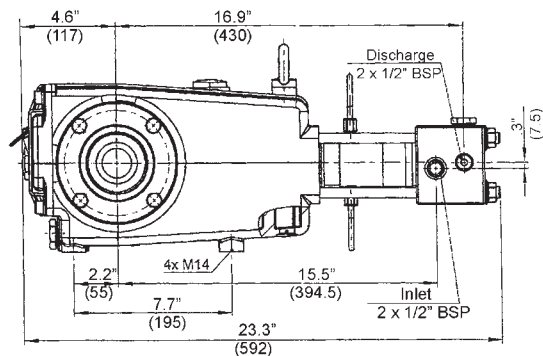
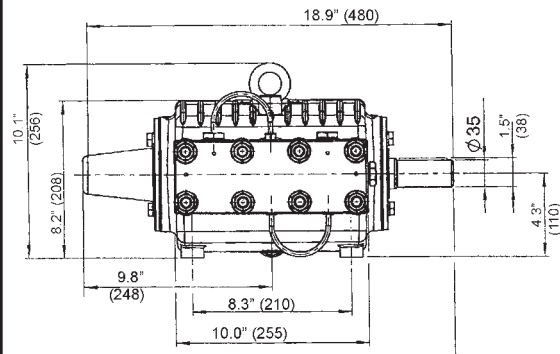
### Repair Kits

Kit	Part Number	List Price
Plunger Packing Kit:		
GP5116	09746	\$668.15
GP5114	09807	\$506.40
Valve Kit	09518	\$3,029.80
Oil Seal Kit	09230	\$62.36

### Mounting Accessories

	Part Number	List Price
<b>Painted Steel Rails</b> (L=12"xW=10"xH=5.75")	04845	\$724.50
<b>Hydraulic Kit</b> w/SAE-C Motor	HK-GP51-SAE-C-4	\$766.50
<b>Hydraulic Kit</b> w/SAE-D Motor	HK-GP51-SAE-D-4	\$913.50

### GP5114 and GP5116 DIMENSIONS - INCHES (mm)





## Medium Pressure Pumps

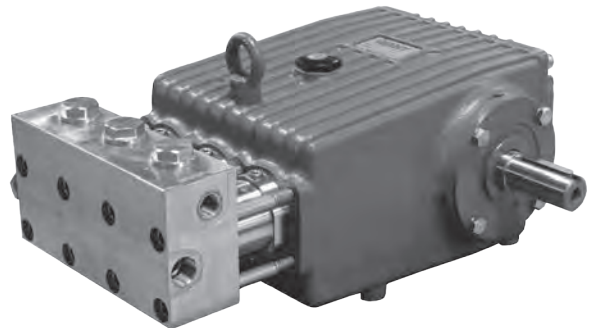
Model	Flow	Pressure	Speed	Power Required	Plunger Diameter	Price
	GPM (LPM)	PSI (Bar)	RPM	HP (kW)	in (mm)	
GP5120	10.6 (40.0)	8700 (600)	1000	63.3 (47.2)	0.79 (20)	\$14,425.00
GP5122	11.9 (45.0)	7250 (500)	930	59.0 (44.0)	0.87 (22)	\$14,425.00
GP5124	13.2 (50.0)	5800 (400)	850	52.8 (39.4)	0.94 (24)	\$14,425.00

### Common Specifications & Materials

	U.S.	(Metric)
Stroke .....	1.81"	(46 mm)
Max Inlet Temp .....	140 °F	(60 °C)
Weight .....	176 lbs.	(80 kg)
Inlet Port .....	(2) 3/4" BSP	
Discharge Port.....	(2) 1/2" BSP	

#### Materials Used

Manifold .....	Stainless Steel
Plunger .....	Special Ceramic
Valves .....	High Grade Stainless Steel
Seals.....	Aramid/Teflon Packing
Crankcase .....	Solid Spheroidal Cast Iron



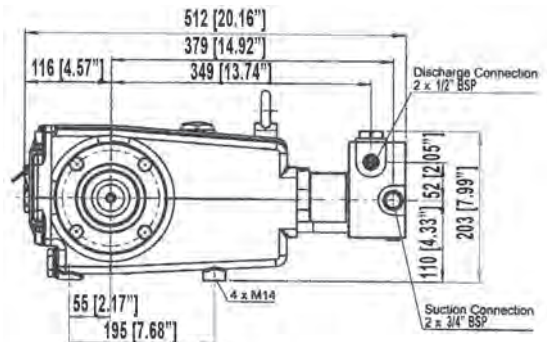
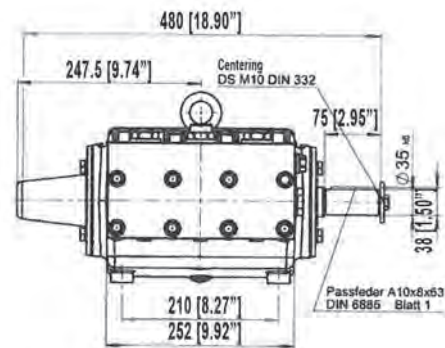
### Repair Kits

Kit	Part Number	List Price
<b>Plunger Packing Kits:</b>		
(GP5120)	09784	\$887.27
(GP5122)	09785	\$618.89
(GP5124)	09786	\$401.76
Valve Kit	09787	\$769.27
<b>Oil Seal Kit:</b>		
(GP5120)	09783	\$179.97
(GP5122/GP5124)	09230	\$62.36

### Mounting Accessories

	Part Number	List Price
<b>Painted Steel Rails</b>		
(L=12"xW=10"xH=5.75")	04845	\$724.50
<b>Hydraulic Kit</b>		
w/SAE-C Motor	HK-GP51-SAE-C-4	\$766.50
<b>Hydraulic Kit</b>		
w/SAE-D Motor	HK-GP51-SAE-D-4	\$913.50

### GP5120/GP5122/GP5124 DIMENSIONS - INCHES (mm)



# GP5100 Series High Flow Pumps



Model	Flow Continuous/ Intermittent	Pressure	Speed	Power Required	Plunger Diameter	Price
	GPM (LPM)	PSI (Bar)	RPM	HP (kW)	in (mm)	
GP5128	20.6 (78.0)	4060 (280)	1000	57.7 (43.0)	1.10 (28)	\$9,460.00
GP5132	27.7 (104.9) / 40.0 (151.0)	2900 (200)	1000	57.0 (42.8)	1.26 (32)	\$9,460.00
GP5136	33.8 (127.8)	2320 (160)	910	56.0 (41.8)	1.42 (36)	\$9,460.00
GP5142	40.4 (152.9)	1885 (130)	800	52.5 (39.2)	1.65 (42)	\$9,460.00
GP5145	43.5 (164.6)	1450 (100)	750	45.0 (33.6)	1.77 (45)	\$9,460.00

### Common Specifications & Materials

	U.S.	(Metric)
Stroke .....	1.81"	(46 mm)
Max Inlet Temp .....	140 °F	(60 °C)
Weight .....	179 lbs.	(81 kg)
Inlet Port .....	(3) 1-1/2" NPT	
Discharge Port .....	(2) 1" NPT	

### Materials Used

Manifold .....	Nickel-Plated Spheroidal Cast Iron
Plunger (except -SSP) .....	Solid ceramic oxide
Plunger (-SSP) .....	Stainless Steel
Valves .....	Stainless Steel
Seals .....	Nitrile with fabric reinforcing
Crankcase .....	Spheroidal Cast Iron

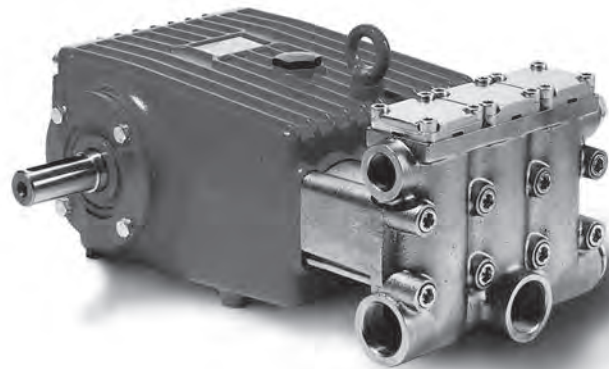
### Repair Kits

Kit	Part Number	List Price
<u>Plunger Packing Kit:</u>		
(GP5128)	09761	\$416.35
(GP5132)	09290	\$339.95
(GP5136)	09229	\$287.55
(GP5142)	09767	\$317.24
(GP5145)	09228	\$558.81
<u>Valve Assembly Kit</u>		
(GP5128)	09762*	\$2,001.43
<u>Inlet Valve Kit</u>		
(except GP5128)	09231*	\$229.20
<u>Discharge Valve Kit</u>		
(except GP5128)	09232*	\$270.41
Oil Seal Kit	09230	\$62.36

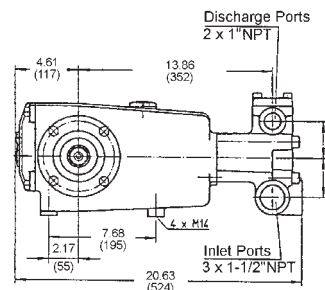
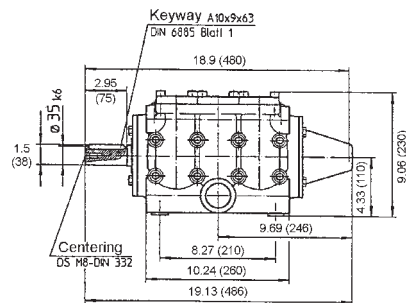
\*One (1) valve assembly/kit

### Mounting Accessories

	Part Number	List Price
<b>Painted Steel Rails</b>		
(L=12"xW=10"xH=5.75")	04845	\$724.50
<b>Hydraulic Kit</b>		
w/SAE-C Motor	HK-GP51-SAE-C-4	\$766.50
<b>Hydraulic Kit</b>		
w/SAE-D Motor	HK-GP51-SAE-D-4	\$913.50



### GP5128/GP5132/GP5136/GP5142/ GP5145 DIMENSIONS - INCHES (mm)



## Hydraulic Drive Versions with Solid Shaft

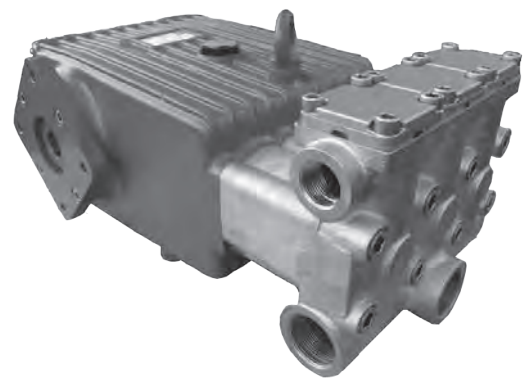
Model	Flow Continuous/ Intermittent	Pressure	Speed	Power Required	Plunger Diameter	Price
	GPM (LPM)	PSI (Bar)	RPM	HP (kW)	in (mm)	
GP5128-HS	20.6 (78.0)	4060 (280)	1000	57.7 (43.0)	1.10 (28)	\$9,900.00
GP5132-HS	27.7 (104.9) / 40.0 (151.0)	2900 (200)	1000	57.0 (42.8)	1.26 (32)	\$9,900.00
GP5136-HS	33.8 (127.8)	2320 (160)	910	56.0 (41.8)	1.42 (36)	\$9,900.00
GP5142-HS	40.4 (152.9)	1885 (130)	800	52.5 (39.2)	1.65 (42)	\$9,900.00
GP5145-HS	43.5 (164.6)	1450 (100)	750	45.0 (33.6)	1.77 (45)	\$9,900.00

### Common Specifications & Materials

	U.S.	(Metric)
Stroke .....	1.81"	(46 mm)
Max Inlet Temp .....	140 °F	(60 °C)
Weight .....	179 lbs.	(81 kg)
Inlet Port .....	(3) 1-1/2" NPT	
Discharge Port.....	(2) 1" NPT	
Shaft.....	SAE-C flange, C32(Ø31, 75)	

#### Materials Used

Manifold.....	Nickel-Plated Spheroidal Cast Iron
Plunger .....	Solid ceramic oxide
Valves .....	Duplex Steel/Plastic Retainer
Seals.....	Nitrile with fabric reinforcing
Crankcase .....	Spheroidal Cast Iron



### Repair Kits

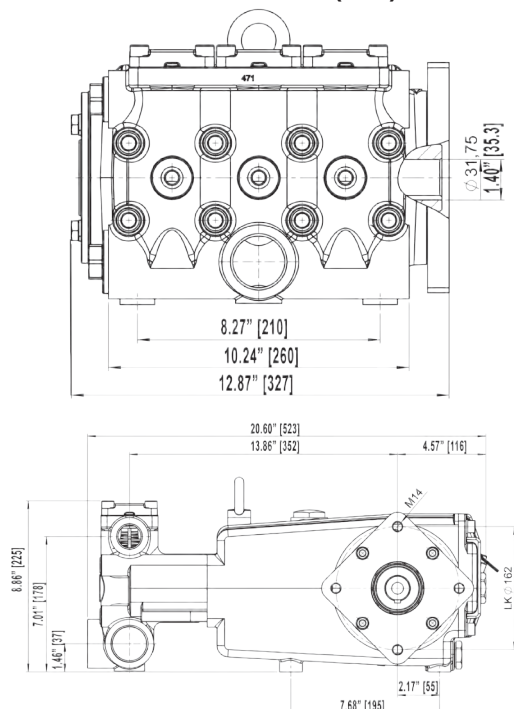
Kit	Part Number	List Price
<u>Plunger Packing Kit:</u>		
(GP5132)	09290	\$339.95
(GP5136)	09229	\$287.55
(GP5145)	09228	\$558.81
Inlet Valve Kit	09231*	\$229.20
Discharge Valve Kit	09232*	\$270.41
Oil Seal Kit	09230	\$62.36

\*One (1) valve assembly/kit

### Mounting Accessories

	Part Number	List Price
<b>Painted Steel Rails</b> (L=12"xW=10"xH=5.75")	04845	\$724.50

### GP5132-HS/GP5136-HS/GP5145-HS DIMENSIONS - INCHES (mm)



## Direct Drive Gearbox Versions

Model	Flow Continuous/ Intermittent	Pressure	Speed	Power Required	Plunger Diameter	Price
	GPM (LPM)	PSI (Bar)	RPM	HP (kW)	in (mm)	
GP5128GB	20.6 (78.0)	4060 (280)	1000	57.7 (43.0)	1.10 (28)	\$13,440.00
GP5132GB	27.7 (104.9) / 40.0 (151.0)	2900 (200)	1000	57.0 (42.8)	1.26 (32)	\$13,440.00
GP5136GB	33.8 (127.8)	2320 (160)	910	56.0 (41.8)	1.42 (36)	\$13,440.00
GP5142GB	40.4 (152.9)	1885 (130)	800	52.5 (39.2)	1.65 (42)	\$13,440.00
GP5145GB	43.5 (164.6)	1450 (100)	750	45.0 (33.6)	1.77 (45)	\$13,440.00

### Common Specifications & Materials

	U.S.	(Metric)
Stroke .....	1.81"	(46 mm)
Max Inlet Temp .....	140 °F	(60 °C)
Weight .....	179 lbs	(81 kg)
Inlet Port .....	(3) 1-1/2" NPT	
Discharge Port .....	(2) 1" NPT	

#### Materials Used

Manifold ..... Nickel-Plated Spheroidal Cast Iron  
 Plunger ..... Solid ceramic oxide  
 Valves ..... Stainless Steel  
 Seals ..... Nitrile with fabric reinforcing  
 Crankcase ..... Spheroidal Cast Iron

**Gear Ratio** ..... 2.0:1



\*Gearbox available in 90°, 180° and 270° orientations:

### Repair Kits / Accessories

Kit	Part Number	List Price
<b>Plunger Packing Kit:</b>		
(GP5128)	09761	\$416.35
(GP5132)	09290	\$339.95
(GP5136)	09229	\$287.55
(GP5142)	09767	\$317.24
(GP5145)	09228	\$558.81
<b>Valve Assembly Kit</b>		
(GP5128)	09762*	\$2,001.43
<b>Inlet Valve Kit</b>		
(except GP5128)	09231*	\$229.20
<b>Discharge Valve Kit</b>		
(except GP5128)	09232*	\$270.41
Oil Seal Kit	09230	\$62.36
Anti-Seize	03325*	\$6.98

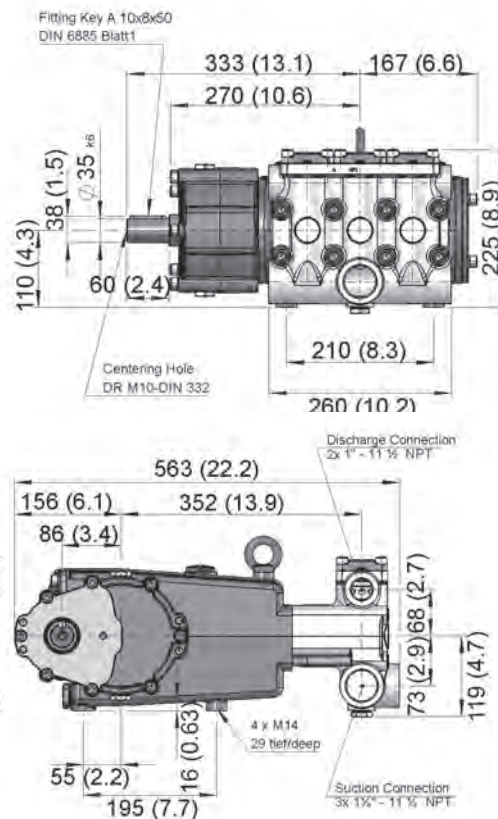
\*One (1) valve assembly/kit

\* Commercial Discount

### Mounting Accessories

	Part Number	List Price
<b>Painted Steel Rails</b> (L=12"xW=10"xH=5.75")	04845	\$724.50

### GP5100GB-180 Shown





## Hydraulic Drive Versions - Splined Shaft and Gearbox

Model	Flow Continuous/ Intermittent	Pressure	Speed	Power Required	Plunger Diameter	Price
	GPM (LPM)	PSI (Bar)	RPM	HP (kW)	in (mm)	
GP5128GBHS	20.6 (78.0)	4060 (280)	1000	57.7 (43.0)	1.10 (28)	\$13,650.00
GP5132GBHS	27.7 (104.9) / 40.0 (151.0)	2900 (200)	1000	57.0 (42.8)	1.26 (32)	\$13,650.00
GP5136GBHS	33.8 (127.8)	2320 (160)	910	56.0 (41.8)	1.42 (36)	\$13,650.00
GP5142GBHS	40.4 (152.9)	1885 (130)	800	52.5 (39.2)	1.65 (42)	\$13,650.00
GP5145GBHS	43.5 (164.6)	1450 (100)	750	45.0 (33.6)	1.77 (45)	\$13,650.00

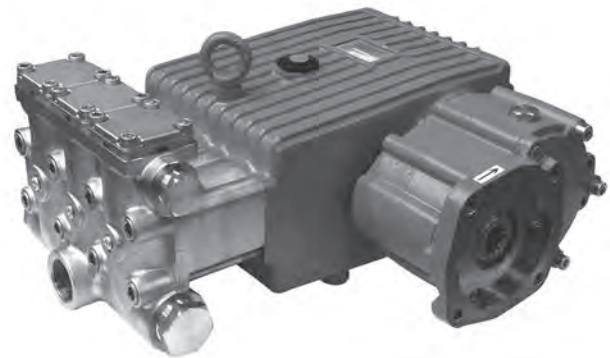
### Common Specifications & Materials

	U.S.	(Metric)
Stroke .....	1.81"	(46 mm)
Max Inlet Temp .....	140 °F	(60 °C)
Weight .....	179 lbs.	(81 kg)
Inlet Port .....	(3) 1-1/2" NPT	
Discharge Port .....	(2) 1" NPT	
Crankshaft Bore .....	SAE-C Spline 14T 12/24DP	

#### Materials Used

Manifold ..... Nickel-Plated Spheroidal Cast Iron  
 Plunger ..... Solid ceramic oxide  
 Valves ..... Duplex Steel/Plastic Retainer  
 Seals ..... Nitrile with fabric reinforcing  
 Crankcase ..... Spheroidal Cast Iron

**Gear Ratio** ..... 2.75:1



\*Gearbox available in 90°, 180° and 270° orientations:

### Repair Kits / Accessories

Kit	Part Number	List Price
<b>Plunger Packing Kit:</b>		
(GP5128)	09761	\$416.35
(GP5132)	09290	\$339.95
(GP5136)	09229	\$287.55
(GP5142)	09767	\$317.24
(GP5145)	09228	\$558.81
<b>Valve Assembly Kit</b>		
(GP5128)	09762*	\$2,001.43
<b>Inlet Valve Kit</b>		
(except GP5128)	09231*	\$229.20
<b>Discharge Valve Kit</b>		
(except GP5128)	09232*	\$270.41
Oil Seal Kit	09230	\$62.36
Anti-Seize	03325*	\$6.98

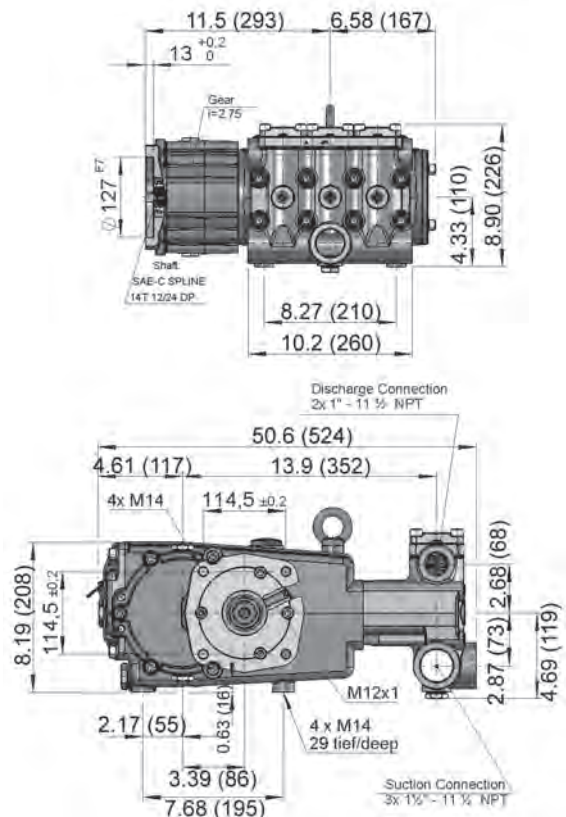
\*One (1) valve assembly/kit

+ Commercial Discount

### Mounting Accessories

	Part Number	List Price
<b>Painted Steel Rails</b> (L=12"xW=10"xH=5.75")	04845	\$724.50

### GP5132-HS/GP5136-HS/GP5145-HS DIMENSIONS - INCHES (mm)





## High Pressure Pumps

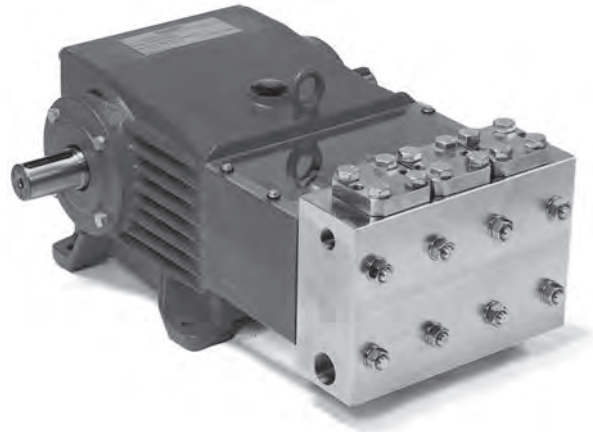
Model	Flow	Pressure	Speed	Power Required	Plunger Diameter	Stroke	Price
	GPM (LPM)	PSI (Bar)	RPM	HP (kW)	in (mm)	in (mm)	
GP6124	12.8 (48.5)	6090 (420)	800	53.7 (40.1)	0.94 (24)	1.89 (48)	\$23,100.00
GP6128	18.0 (68.1)	4350 (300)	800	54.0 (40.3)	1.10 (28)	1.89 (48)	\$17,850.00

### Common Specifications & Materials

	U.S.	(Metric)
Max Inlet Temp .....	140 °F	(60 °C)
Weight .....	309 lbs	(140 kg)
Inlet Port .....	(2) 1-1/2" BSP	
Discharge Port.....	(2) 1" BSP	

### Materials Used

Manifold.....	AISI 303 S.S.
Plunger (GP6124).....	Hard metal coating
Plunger (GP6128).....	Solid ceramic oxide
Valves.....	Duplex Steel
Seals (GP6124) .....	Aramid packing
Seals (GP6128) ...	Nitrile with fabric reinforcing
Crankcase .....	Spheroidal Cast Iron



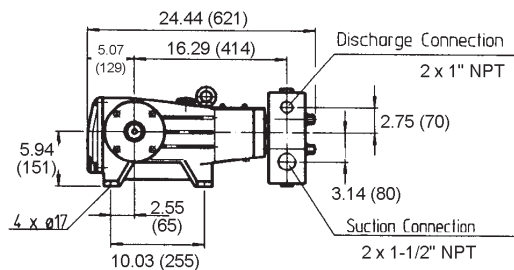
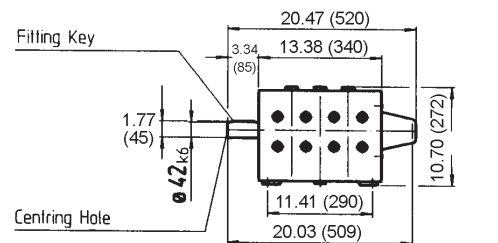
### Repair Kits

Kit	Part Number	List Price
<b>Plunger Packing Kit:</b>		
(GP6124)	09311	\$982.39
(GP6128)	09302	\$423.84
<b>Valve Kit:</b>		
(GP6124)	09312	\$2,027.41
(GP6128)	09303	\$2,320.58
Oil Seal Kit	09304	\$293.56

### Mounting Accessories

	Part Number	List Price
<b>Hydraulic Kit</b> w/SAE-D Motor	HK-GP61-SAE-D-4	\$1,832.25

### GP6124, GP6128, GP6124-4000 - INCHES (mm)



# GP6100 Series High Flow Pumps



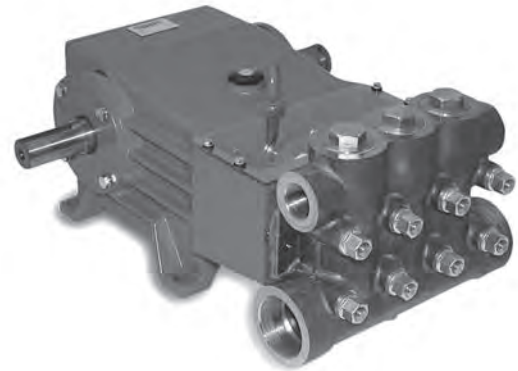
Model	Flow	Pressure	Speed	Power Required	Plunger Diameter	Stroke	Price
	GPM (LPM)	PSI (Bar)	RPM	HP (kW)	in (mm)	in (mm)	
GP6132	23.5 (88.9)	3045 (210)	800	49.0 (36.6)	1.26 (32)	1.89 (48)	\$19,900.00
GP6140	36.7 (139)	2175 (150)	800	55.0 (41.0)	1.57 (40)	1.89 (48)	\$19,900.00
GP6145	46.5 (175.9)	1740 (120)	800	55.8 (41.6)	1.77 (45)	1.89 (48)	\$19,900.00

## Common Specifications & Materials

	U.S.	(Metric)
Stroke .....	1.89"	(48 mm)
Max Inlet Temp .....	140 °F	(60 °C)
Weight .....	309 lbs	(140 kg)
Inlet Port .....	(2) 2-1/2" BSP	
Discharge Port.....	(2) 1-1/4" BSP	

### Materials Used

Manifold .....	Bronze
Manifold (-4000 Series) .....	Stainless Steel
Plunger .....	Solid ceramic oxide
Valves .....	Duplex Steel
Valves (-4000 Series) .....	Stainless Steel
Seals.....	Nitrile with fabric reinforcing
Crankcase .....	Spheroidal Cast Iron



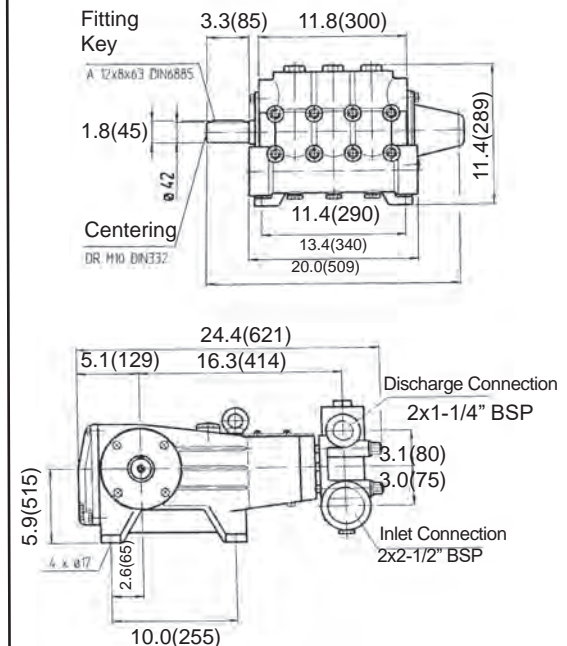
## Repair Kits

Kit	Part Number	List Price
<b>Plunger Packing Kit</b>		
(GP6132)	09319	\$830.49
(GP6140-4000)	09622	\$1,383.13
(GP6145-4000)	09623	\$986.22
<b>Valve Kit:</b>		
(GP6132)	09320	\$2,936.70
(GP6140-4000, GP6145-4000)	09624	\$3,363.19
<b>Oil Seal Kit :</b>		
(GP6132)	09304	\$293.56
(GP6140/GP6145-4000)	09625	\$33.84

## Mounting Accessories

	Part Number	List Price
<b>Hydraulic Kit</b> w/SAE-D Motor	HK-GP61-SAE-D-4	\$1,832.25

## GP6132, GP6140, GP6145 GP6132-4000, GP6140-4000, GP6145-4000 INCHES (mm)



## GP7100 Series

### High Pressure Pumps

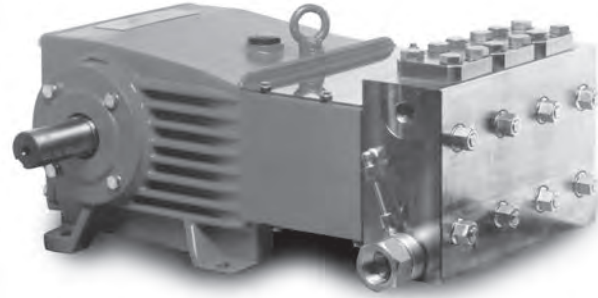
Model	Flow	Pressure	Speed	Power Required	Plunger Diameter	Stroke	Price
	<b>GPM (LPM)</b>	<b>PSI (Bar)</b>	<b>RPM</b>	<b>HP (kW)</b>	<b>in (mm)</b>	<b>in (mm)</b>	
GP7122	9.9 (37.5)	10,150 (700)	750	69.3 (51.7)	0.87 (22)	2.0 (52)	\$32,270.00
GP7124A-4000	12.7 (48.0)	7250 (500)	750	63.5 (47.4)	0.94 (24)	2.0 (52)	\$32,270.00

#### Common Specifications & Materials

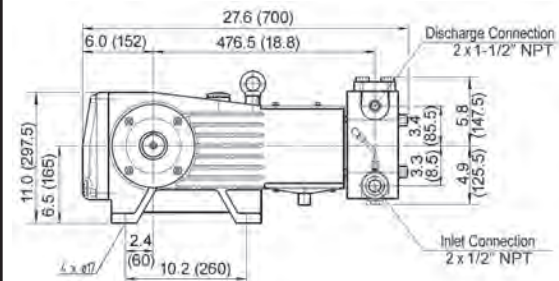
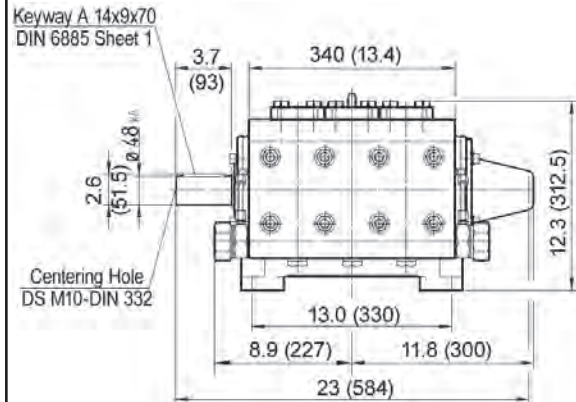
	U.S.	(Metric)
Max Inlet Temp .....	140 °F	(60 °C)
Weight .....	374 lbs	(170 kg)
Inlet Ports .....	(2) 1-1/2" NPT	
Discharge Ports .....	(2) 1/2" NPT	

#### Materials Used

Manifold (GP7122/GP7124).....AISI 415 Stainless steel  
 Plunger (GP7122/GP7124/GP7128) ..... Hard metal coating  
 Valves (GP7124, GP7124A-4000 & GP7136).....Stainless Steel  
 Seals (GP7122 & GP7124).....Aramid  
 Crankcase .....Spheroidal cast iron



#### GP7122 AND GP7124A-4000 DIMENSIONS - INCHES (mm)



#### Repair Kits

Kit	Part Number	List Price
<b>Plunger Packing Kit:</b>		
(GP7122)	09701	\$1,834.99
(GP7124)	09224	\$2,212.72
<b>Inlet Valve Kit:</b>		
(GP7122)	09702*	\$683.96
(GP7124)	09226*	\$593.02
<b>Discharge Valve Kit:</b>		
(GP7122)	09703*	\$661.36
(GP7124)	09227*	\$460.29
Oil Seal Kit (All)	09221	\$155.20

\*One(1) valve assembly / kit

## Medium Pressure Pumps

Model	Flow	Pressure	Speed	Power Required	Plunger Diameter	Stroke	Price
	<b>GPM (LPM)</b>	<b>PSI (Bar)</b>	<b>RPM</b>	<b>HP (kW)</b>	<b>in (mm)</b>	<b>in (mm)</b>	
GP7128	17.9 (67.7)	5800 (400)	750	71.6 (53.4)	1.10 (28)	2.0 (52)	\$35,100.00
GP7132	23.4 (88.5)	4350 (300)	750	70.2 (52.4)	1.30 (32)	2.0 (52)	\$31,100.00
GP7136	28.3 (107.3)	3625 (250)	750	71.2 (53.1)	1.42 (36)	2.0 (52)	\$32,300.00

### Common Specifications & Materials

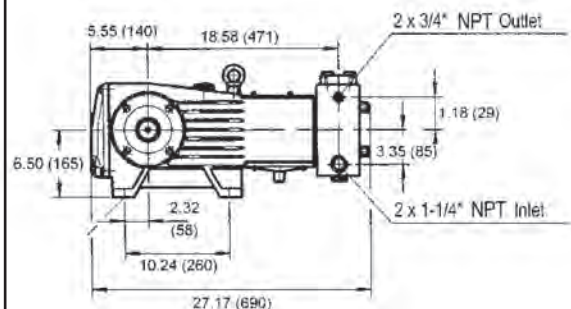
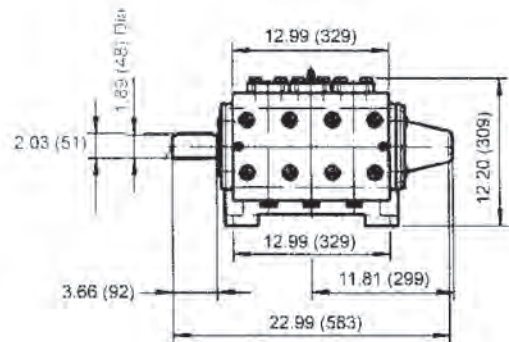
	U.S.	(Metric)
Max Inlet Temp .....	140 °F	(60 °C)
Weight .....	374 lbs	(170 kg)
Weight (GP7132).....	434 lbs	(197 kg)
Inlet Ports .....	(2) 1-1/4" NPT	
Discharge Ports.....	(2) 3/4" NPT	

### Materials Used

Manifold.....	AISI 303 Stainless steel
Plungers (GP7128).....	Hard metal coating
Plungers (GP7132, GP7136) .....	Solid ceramic oxide
Valves (GP7128 & GP7136) .....	Duplex steel
Valves (GP7136).....	Stainless Steel
Seals (GP7128, GP7132 & GP7136).....	Nitrile w/fabric reinforcing
Crankcase .....	Spheroidal cast iron



### GP7128, GP7132 AND GP7136 DIMENSIONS - INCHES (mm)

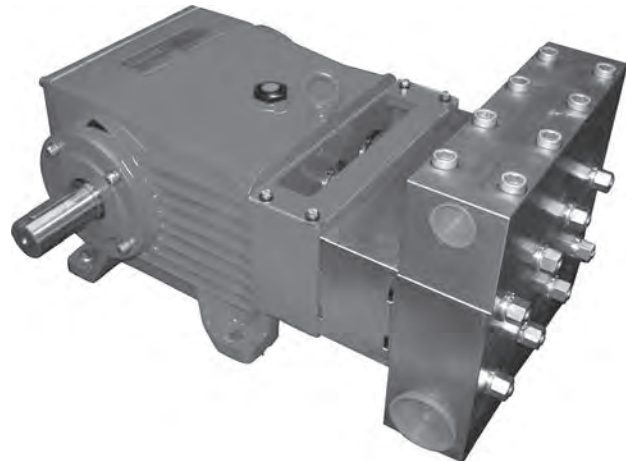


### Repair Kits

Kit	Part Number	List Price
<b>Plunger Packing Kit:</b>		
(GP7128)	09464	\$1,409.88
(GP7132)	09519	\$735.78
(GP7136)	09544	\$862.39
Valve Kit	09520	\$2,068.05
Oil Seal Kit (All)	09221	\$155.20

## Stainless Steel/High Flow

Model	Flow	Pressure	Speed	Power Required	Plunger Diameter	Stroke	Price
	GPM (LPM)	PSI (Bar)	RPM	HP (kW)	in (mm)	in (mm)	
GP7142-4000	38.4 (145.3)	2610 (180)	700	69.1 (51.5)	1.65 (42)	2.0 (52)	\$35,175.00
GP7150-4000	54.4 (205.8)	1900 (131)	700	71.3 (53.2)	1.97 (50)	2.0 (52)	\$35,175.00
GP7155-4000	65.8 (249.1)	1500 (100)	700	68.0 (50.7)	2.17 (55)	2.0 (52)	\$35,175.00
GP7170-4000	84.5 (320)	1450 (100)	700	87.4 (65.2)	2.48 (63)	2.0 (52)	\$72,500.00



### Common Specifications & Materials

	U.S.	(Metric)
Stroke .....	2.0"	(52 mm)
Max Inlet Temp .....	140 °F	(60 °C)
Weight .....	374 lbs	(170 kg)
Inlet Port .....	(2) 2-1/2" NPT	
Discharge Port .....	(2) 1-1/4" NPT	

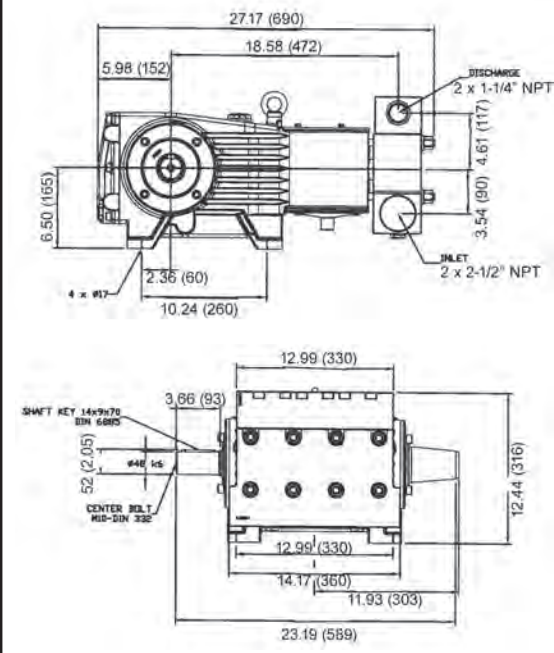
### Materials Used

Manifold .....	Stainless Steel
Plungers .....	Ceramic
Valves .....	Duplex steel
Seals .....	Nitrile with fabric reinforcing
Crankcase .....	Spheroidal cast iron

### Repair Kits

Kit	Part Number	List Price
<b>Plunger Packing Kit:</b>		
(GP7142)	09766	\$301.75
(GP7150)	09526	\$652.20
(GP7155, GP7142)	09220	\$669.88
<b>Valve Kit:</b>		
(GP7142)	09765	\$2,298.09
(GP7150/GP7155)	09614 <sup>+</sup>	\$491.05
Oil Seal Kit (All)	09221	\$155.20
<sup>+</sup> One(1) Valve assembly / kit		

### GP7142-4000, GP7150-4000, GP7155-4000, GP7170-4000 DIMENSIONS - INCHES (mm)





# GP7100 Series High Flow Pumps



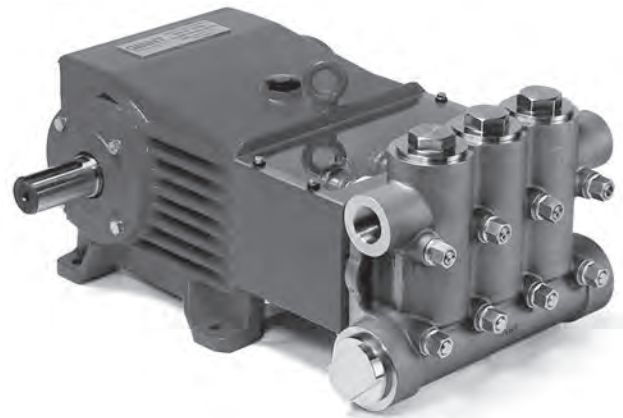
Model	Flow Continuous/ Intermittent	Pressure	Speed Continuous/ Intermittent	Power Required	Price
	GPM (LPM)	PSI (Bar)	RPM	HP (kW)	
GP7142	38.4 (145.3)	2610 (180)	700	69.1 (51.5)	\$29,900.00
GP7145	47.5 (180) / 60.0 (227)	3000 (200)	750 / 947	95.0 (70.9)	\$20,100.00
GP7150	54.4 (205.8)	1900 (131)	700	71.3 (53.2)	\$31,200.00
GP7155	65.8 (249.1)	1500 (100)	700	68.0 (50.7)	\$31,200.00
GP7255A	65.8 (250) / 80 (303)	1500 (100) / 2000 (140)	700 / 851	68.0 (50.7)	\$20,100.00

## Common Specifications & Materials

	U.S.	(Metric)
Plunger Diameter (GP7145) ...	1.77"	(45 mm)
Plunger Diameter (GP7255) ...	2.17"	(55 mm)
Stroke .....	2.0"	(52 mm)
Max Inlet Temp .....	140 °F	(60 °C)
Weight .....	374 lbs	(170 kg)
Inlet Port .....	(2) 2-1/2" NPT	
Discharge Port .....	(2) 1-1/4" NPT	

### Materials Used

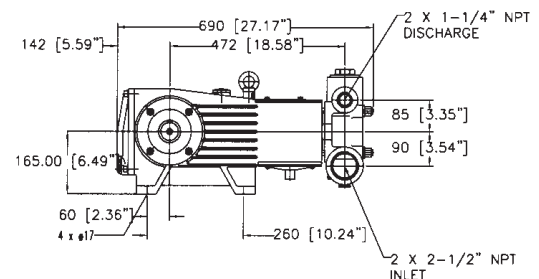
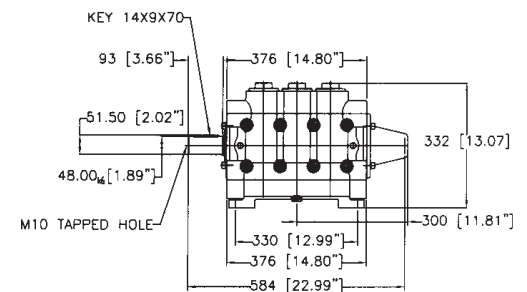
Manifold (GP7142/50/55) .....	Bronze
Manifold (GP7145/7255A) .....	Nickel Plated Spheroidal Cast Iron
Plungers .....	Solid ceramic oxide
Plungers (-SSP versions) .....	Stainless Steel
Valves .....	Duplex steel
Valves (-SSV versions) .....	Stainless Steel
Seals .....	Nitrile with fabric reinforcing
Gear End .....	Spheroidal cast iron



## Repair Kits

Kit	Part Number	List Price
<b>Plunger Packing Kit</b>		
(GP7142)	09766	\$301.75
(GP7145)	09603	\$680.45
GP7150	09526	\$652.20
(GP7155/GP7255)	09220	\$669.88
<b>Valve Kit:</b>		
(GP7142)	09765	\$2,298.09
(GP7150/GP7155)	09614+	\$491.05
<b>Inlet Valve Kit</b>		
(GP7145/GP7255A)	09659+	\$336.37
<b>Discharge Valve Kit</b>		
(GP7145/GP7255A)	09660+	\$374.04
Oil Seal Kit (All)	09221	\$155.20
+One(1) Valve assembly / kit		

## GP7145, GP7255 DIMENSIONS - INCHES (mm)



# **Large Industrial Pumps with Oil Cooling Systems:**

**-GP7600 Series**

**-GP8000 Series**

**-GP8100 Series**

**(pages 67 to 77)**

## High Flow Pumps

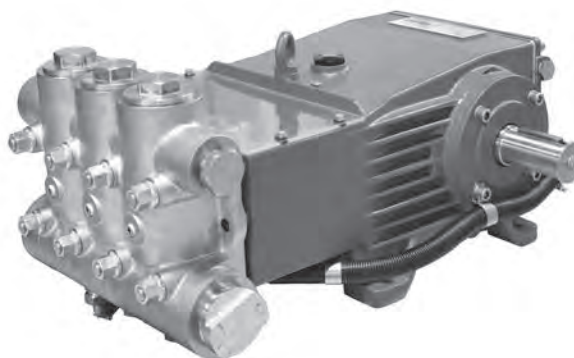
Model	Flow	Pressure	Speed	Power Required	Plunger Diameter	Price
	GPM (LPM)	PSI (Bar)	RPM	HP (kW)	in (mm)	
GP7645	55.5 (210)	3000 (200)	800	115 (85.8)	1.77 (45)	\$20,415.00
GP7650	69.7 (264)	2540 (175)	800	122 (91.0)	1.97 (50)	\$20,415.00
GP7655	84.5 (320)	2000 (140)	800	117 (87.3)	2.17 (55)	\$20,415.00

### Common Specifications & Materials

	U.S.	(Metric)
Stroke .....	2.28"	(58 mm)
Max. Inlet Temperature.....	86 °F	(30 °C)
Weight .....	408 lbs	(185 kg)
Crankcase Oil Capacity ....	1.6 Gal	(6.0 Liters)
Inlet Ports .....	(2) 2-1/2" NPT	
Outlet Ports.....	(2) 1-1/4" NPT	

### Materials Used

Manifold .....	Nickel Plated Spheroidal Cast Iron
Plunger .....	Solid ceramic oxide
Valves .....	Stainless Steel
Seals .....	Nitrile with Fabric Reinforcing
Crankcase .....	Spheroidal Cast Iron

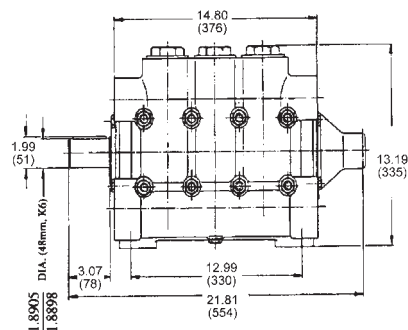
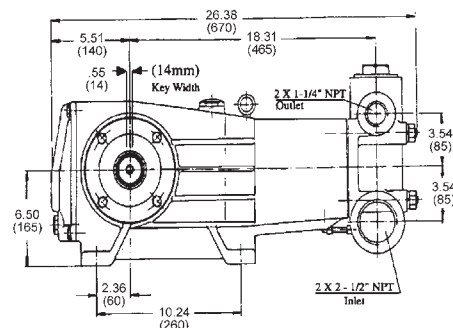


### Repair Kits

Kit	Part Number	List Price
Plunger Packing Kit:		
(GP7645)	09603	\$680.45
(GP7650)	09526	\$652.20
(GP7655):	09220	\$669.88
Inlet Valve Kit:	09659*	\$336.37
Discharge Valve Kit:	09660*	\$374.04
Oil Seal Kit:	09221	\$155.20

\* One Valve Assembly per kit

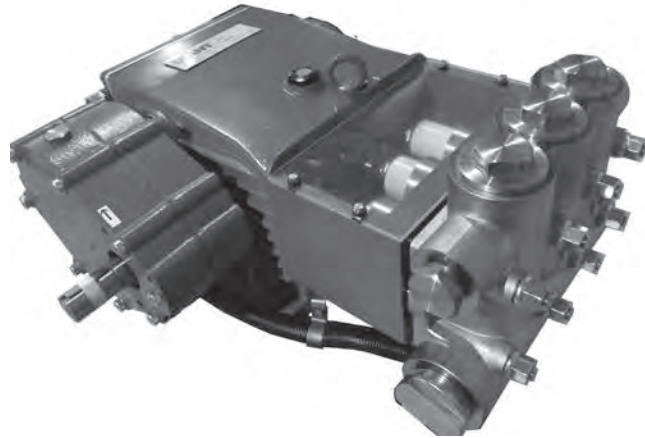
### GP7645/GP7650/GP7655 Dimensions



# GP7600 Series

## High Flow/Gearbox/Solid Pinion Shaft

Model	Flow	Pressure	Speed	Power Required	Plunger Diameter	Price
	GPM (LPM)	PSI (Bar)	RPM	HP (kW)	in (mm)	
GP7636GB	36.4 (137.7)	3800 (262)	see below	95.3 (71.0)	1.4 (36)	\$37,100.00
GP7645GB	55.5 (210)	3000 (200)	see below	115 (85.8)	1.77 (45)	\$25,000.00
GP7650GB	69.7 (264)	2540 (175)	see below	122 (91.0)	1.97 (50)	\$25,000.00
GP7655GB	84.5 (320)	2000 (140)	see below	117 (87.3)	2.17 (55)	\$25,000.00



### Common Specifications & Materials

	U.S.	(Metric)
Stroke .....	2.28"	(58 mm)
Max. Inlet Temperature .....	86 °F	(30 °C)
Weight .....	469 lbs	(213 kg)
Crankcase Oil Capacity .....	2.1 Gal	(8 Liters)
Inlet Ports .....	(2) 2-1/4" NPT	
Outlet Ports .....	(2) 1-1/4" NPT	

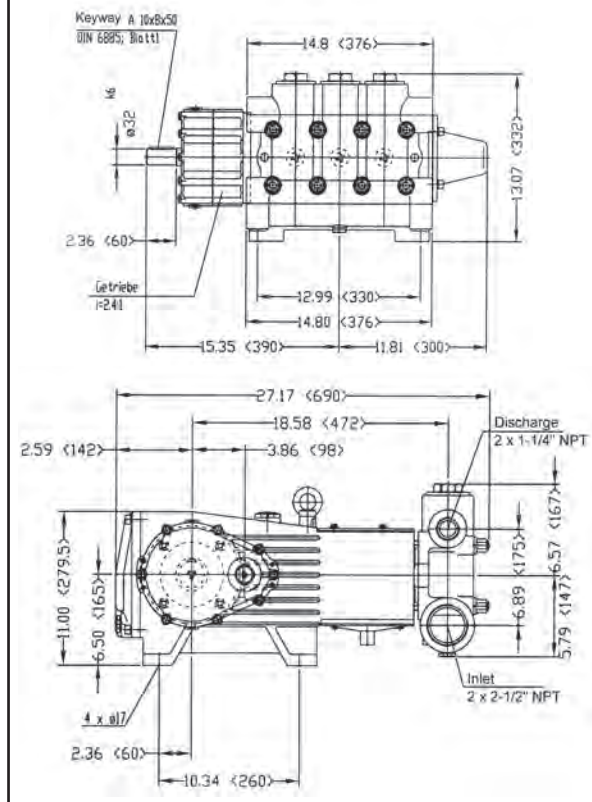
### Materials Used

Manifold.....Nickel Plated Spheroidal Cast Iron  
 Plunger.....Solid ceramic oxide  
 Valves.....Stainless Steel  
 Seals.....Nitrile with Fabric Reinforcing  
 Crankcase.....Spheroidal Cast Iron

Gear Ratios .....	Input Speed
1.9.....	1500 RPM
2.25.....	1800 RPM
2.73.....	2200 RPM

Gearbox available in 0° and 180° orientations:

### Solid Pinion Shaft Drive with gearbox



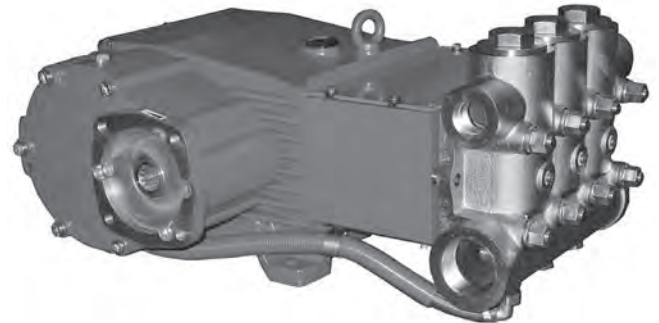
### Repair Kits

Kit	Part Number	List Price
Plunger Packing Kit:		
(GP7645)	09603	\$680.45
GP7650	09526	\$652.20
(GP7655)	09220	\$669.88
Inlet Valve Kit:	09659*	\$336.37
Discharge Valve Kit:	09660*	\$374.04
Oil Seal Kit:	09221	\$155.20

\* One Valve Assembly per kit

High Flow Gearbox/Hydraulic Drive

Model	Flow	Pressure	Speed	Power Required	Plunger Diameter	Price
	GPM (LPM)	PSI (Bar)	RPM	HP (kW)	in (mm)	
GP7645GBHS	55.5 (210)	3000 (200)	800	115 (85.8)	1.77 (45)	\$25,800.00
GP7650GBHS	69.7 (264)	2540 (175)	800	122 (91.0)	1.97 (50)	\$25,800.00
GP7655GBHS	84.5 (320)	2000 (140)	800	117 (87.3)	2.17 (55)	\$25,800.00



Gearbox available in 0° and 180° orientations

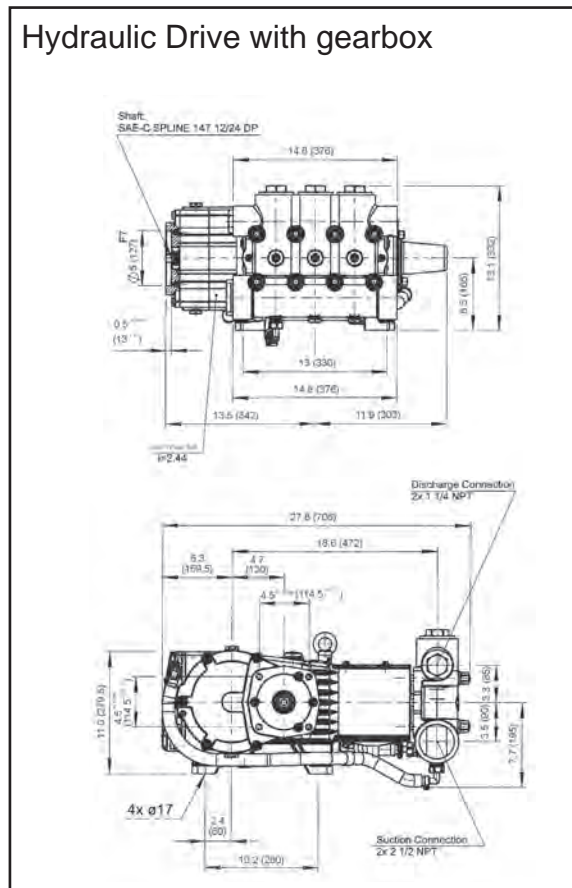
**Common Specifications & Materials**

	U.S.	(Metric)
Stroke .....	2.28"	(58 mm)
Max. Inlet Temperature.....	86 °F	(30 °F)
Weight .....	476 lbs	(216 kg)
Crankcase Oil Capacity .....	2.1 Gal.	(8 Liters)
Inlet Ports .....	(2) 2-1/4" NPT	
Outlet Ports.....	(2) 1-1/4" NPT	

**Materials Used**

- Manifold .....Nickel Plated Spheroidal Cast Iron
- Plunger ..... Solid ceramic oxide
- Valves .....Duplex Stainless Steel
- Seals ..... Nitrile with Fabric Reinforcing
- Crankcase .....Spheroidal Cast Iron

Gear Ratios .....	Input Speed
2.25.....	1800 RPM
2.44.....	2000 RPM
2.73.....	2200 RPM



**Repair Kits / Accessories**

Kit	Part Number	List Price
Plunger Packing Kit:		
(GP7645):	09603	\$680.45
(GP7650)	09526	\$652.20
(GP7655):	09220	\$669.88
Inlet Valve Kit:	09659*	\$336.37
Discharge Valve Kit:	09660*	\$374.04
Oil Seal Kit:	09221	\$155.20
Anti-Seize	03325**	\$6.98

\* One Valve Assembly per kit  
\*\*Commercial Discount





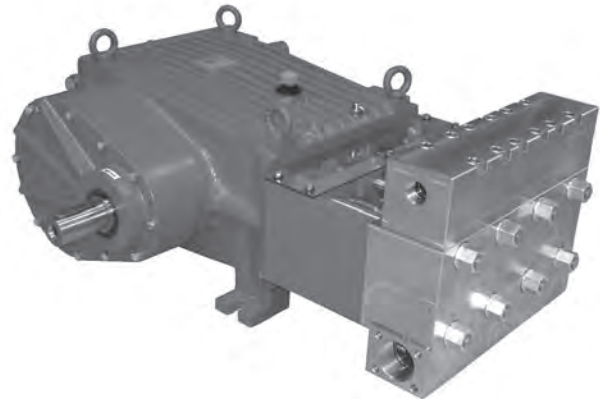
## High Pressure Pumps with gearbox

Model	Flow	Pressure	Speed	Power Required	Plunger Diameter	Price
	<b>GPM (LPM)</b>	<b>PSI (Bar)</b>	<b>RPM</b>	<b>HP (kW)</b>	<b>in (mm)</b>	
GP8135	29.0 (110)	7250 (500)	580	154 (108)	1.38 (35)	\$59,000.00
GP8140	39.6 (150)	5510 (380)	580	144 (107)	1.57 (40)	\$59,000.00

### Repair Kits

Kit	Part Number	List Price
Plunger Packing Kit:	09707	\$2,246.12
Inlet Valve Kit:	09709*	\$1,073.25
Discharge Valve Kit:	09710*	\$1,059.26
Oil Seal Kit:	09584	\$251.87

\* One Valve Assembly per kit



GP8135/40 Shown

### Common Specifications & Materials

	U.S.	(Metric)
Stroke .....	2.83"	(72 mm)
Max. Inlet Temperature.....	86 °F	(30 °C)
Weight (w/ gearbox) .....	800 lbs	(363 kg)
Crankcase Oil Capacity....	4.2 Gal	(16.0 Liters)
Inlet Ports .....	(2) 2" NPT	
Outlet Ports.....	(2) 1" NPT	

#### Materials Used

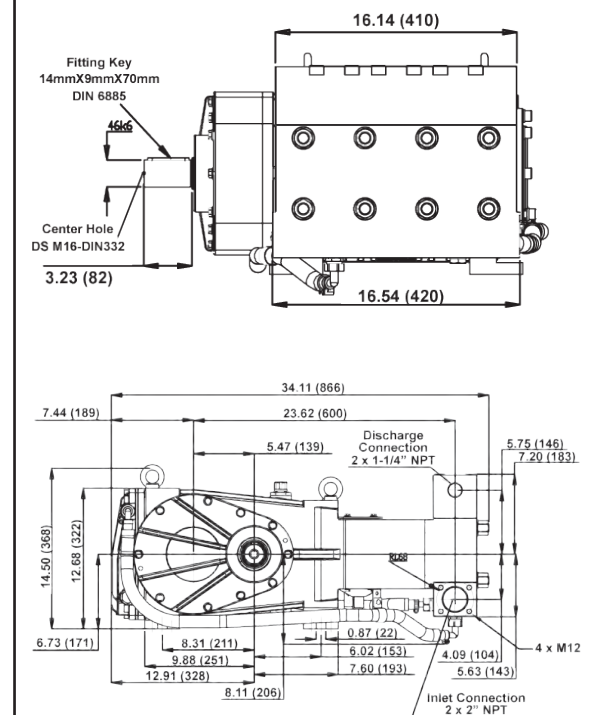
Manifold .....	Stainless Steel
Plunger .....	AISI 303 Stainless Steel
Valves .....	Stainless Steel
Seals .....	Nitrile with Fabric Reinforcing
Crankcase .....	Spheroidal Cast Iron

#### Gear Ratios ..... Input Speed

2.6.....	1500 RPM
3.1.....	1800 RPM
3.8.....	2200 RPM
4.5.....	2600 RPM

### Gearbox available in 0° and 180° orientations

#### GP8135/GP8145 - Dimensions (mm)



## High Flow Pumps

Model	Flow	Pressure	Speed	Power Required	Plunger Diameter	Price
	GPM (LPM)	PSI (Bar)	RPM	HP (kW)	in (mm)	
GP8045	48.8 (185)	4350 (300)	580	146 (109)	1.77 (45)	\$35,800.00
GP8048	56.3 (213)	3770 (260)	580	148 (110)	1.89 (48)	\$34,800.00
GP8055	75.3 (285)	3000 (200)	580	150 (112)	2.17 (55)	\$35,800.00
GP8055-Brine	74.8 (283)	3000 (200)	580	150 (112)	2.17 (55)	\$54,900.00
GP8060	90.0 (340)	2465 (170)	580	153 (114)	2.36 (60)	\$35,800.00
GP8060-Brine	89.8 (340)	2465 (170)	580	153 (114)	2.36 (60)	\$54,900.00
GP8065	105.7 (400)	2000 (140)	580	174 (130)	2.55 (65)	\$35,800.00
GP8065-Brine	105.7 (400)	2000 (140)	580	146 (109)	2.55 (65)	\$58,100.00
GP8076	132 (500)	1500 (100)	520	137 (102)	2.99 (76)	\$43,600.00

### Repair Kits

Kit	Part Number	List Price
<b>Plunger Packing Kit:</b>		
(GP8045):	09626	\$1321.22
(GP8048):	09627	\$1,552.51
(GP8055):	09616	\$672.89
(GP8060):	09617	\$1,382.87
(GP8065):	09586	\$1,164.99
<b>Inlet Valve Kit:</b>		
GP8045/GP8048	09818	\$1,259.29
GP8145/GP8148	09725	\$1,398.27
GP8055/GP8060/GP8065	09587	\$922.56
<b>Discharge Valve Kit:</b>		
GP8045/GP8048	09819	\$1,417.09
GP8145/GP8148	09726	\$1,508.09
GP8055/GP8060/GP8065	09588	\$1,043.73
Oil Seal Kit:	09584	\$251.87

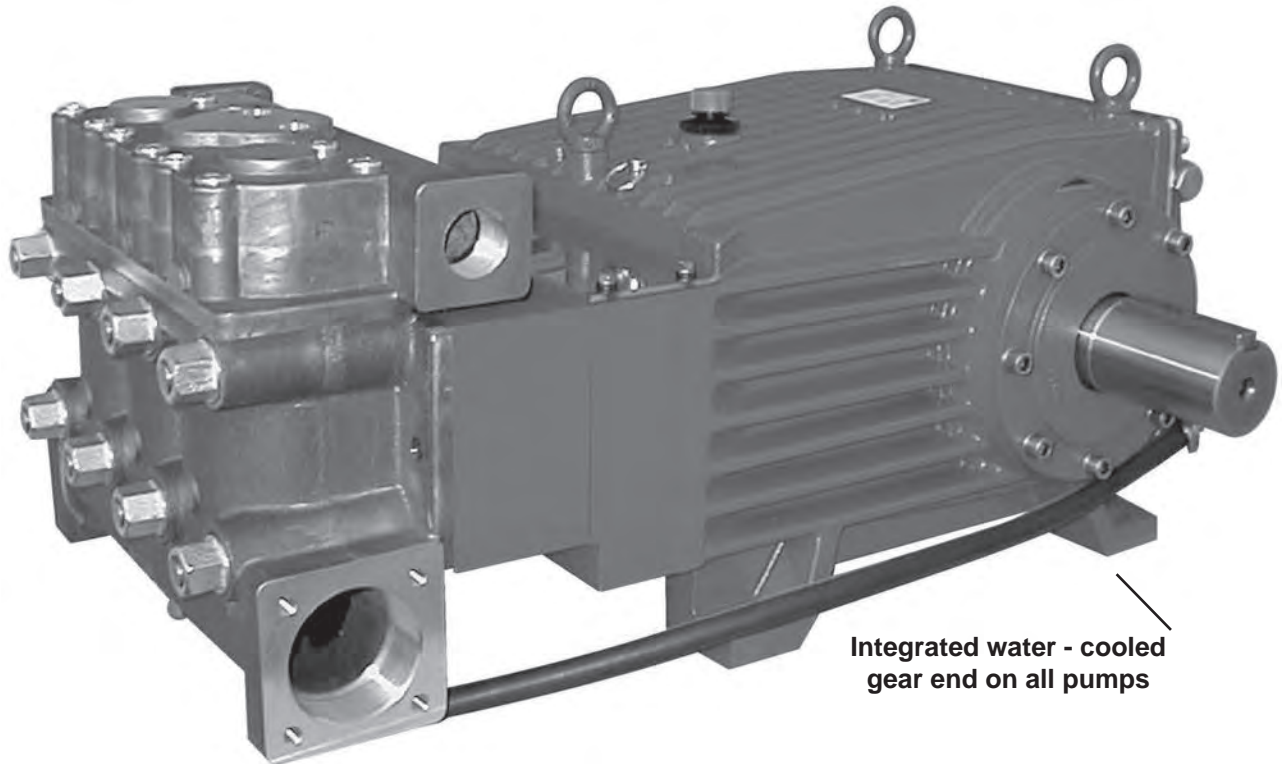
### Common Specifications & Materials

	U.S.	(Metric)
Stroke .....	2.83"	(72 mm)
Max. Inlet Temperature .....	86 °F	(30 °C)
Weight .....	771 lbs.	(350 kg)
Crankcase Oil Capacity .....	3.3 Gal.	(12.5 L)
Crankcase Oil Capacity (gearbox) .....	4.2 Gal.	(16.0 L)
Inlet Ports .....	(2) 3" BSP	
Outlet Ports .....	(2) 1-1/4" BSP	

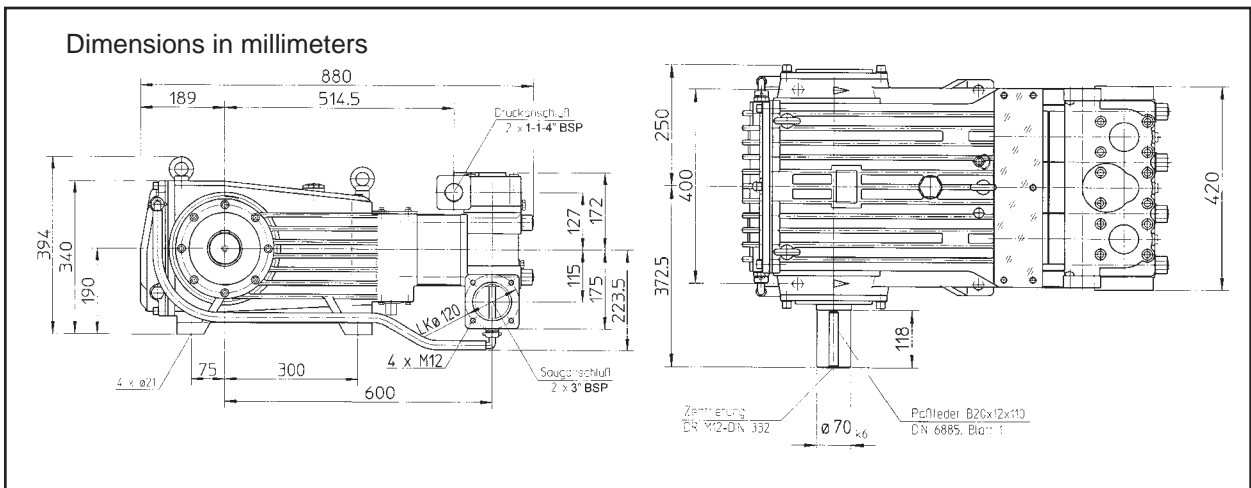
#### Materials Used

Manifold .....	Nickel Plated Spheroidal Cast Iron
Manifold (-1000) .....	Bronze
Manifold (-Brine) .....	Nickel Aluminum Bronze
Plunger .....	Solid Ceramic Oxide
Valves .....	Duplex Stainless Steel
Seals .....	Nitrile with Fabric Reinforcing
Crankcase .....	Spheroidal Cast Iron

# GP8000 Series High Flow Pumps



Integrated water - cooled gear end on all pumps



**Gearbox w/Solid Pinion Shaft**

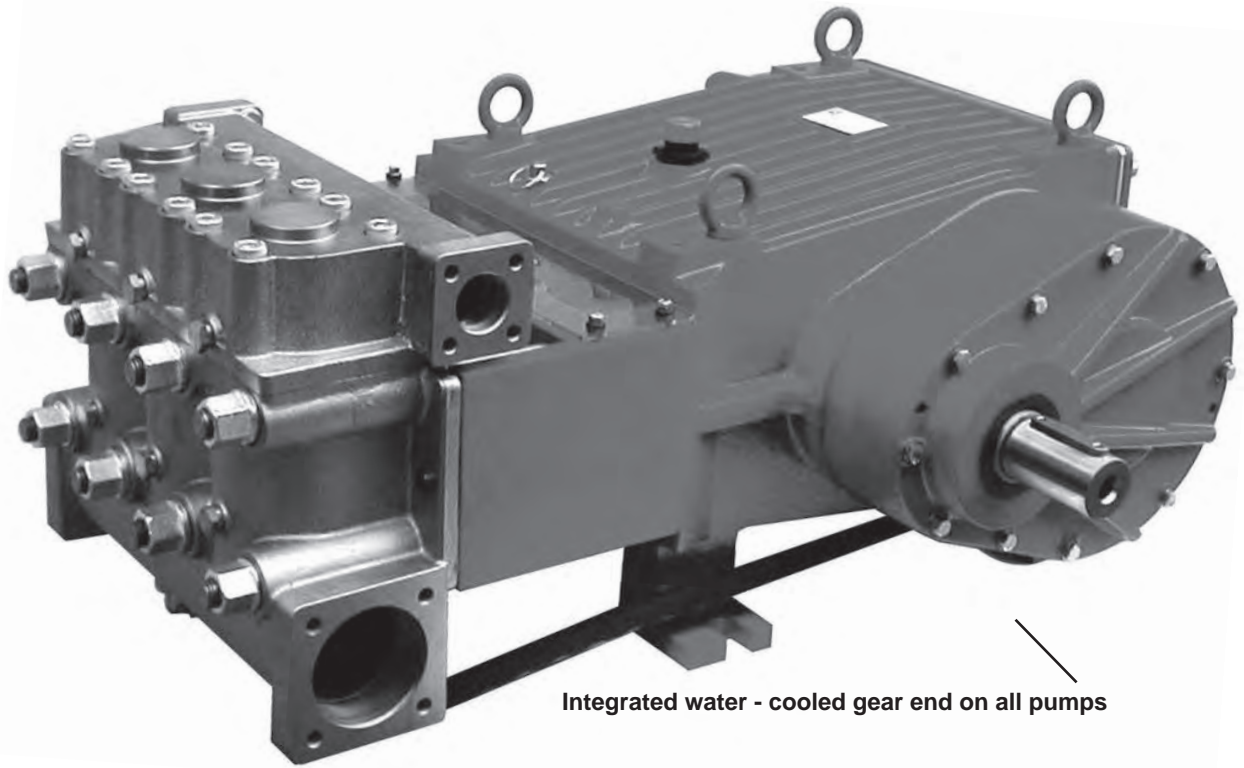
Model	Flow	Pressure	Speed	Power Required	Plunger Diameter	Price
	GPM (LPM)	PSI (Bar)	RPM	HP (kW)	in (mm)	
GP8145	56.3 (213)	3770 (260)	580	148 (110)	1.89 (48)	\$38,500.00
GP8148	56.0 (213)	3770 (260)	580	148 (110)	1.89 (48)	\$38,500.00
GP8155	75.3 (285)	3000 (200)	580	150 (112)	2.17 (55)	\$38,500.00
GP8155-Brine	74.8 (283)	2900 (200)	580	150 (112)	2.17 (55)	\$60,800.00
GP8160	90.0 (340)	2500 (170)	580	153 (114)	2.36 (60)	\$38,500.00
GP8160-Brine	89.8 (340)	2465 (170)	580	153 (114)	2.36 (60)	\$60,800.00
GP8165	105.7 (400)	2000 (140)	580	146 (109)	2.55 (65)	\$38,500.00
GP8165-Brine	105.6 (400)	2000 (140)	580	146 (109)	2.55 (65)	\$60,800.00
GP8176	132 (500)	1500 (100)	520	137 (102)	2.99 (76)	\$46,900.00

Repair Kits		
Kit	Part Number	List Price
<u>Plunger Packing Kit:</u>		
(GP8045):	09626	\$1,321.22
(GP8048):	09627	\$1,552.51
(GP8055):	09616	\$672.89
(GP8060):	09617	\$1,382.87
(GP8065):	09586	\$1,164.99
<u>Inlet Valve Kit:</u>		
GP8045/GP8048	09818	\$1,259.29
GP8145/GP8148	09725	\$1,398.27
GP8055/GP8060/GP8065	09587	\$922.56
<u>Discharge Valve Kit:</u>		
GP8045/GP8048	09819	\$1,417.09
GP8145/GP8148	09726	\$1,508.09
GP8055/GP8060/GP8065	09588	\$1,043.73
Oil Seal Kit:	09584	\$251.87

Common Specifications & Materials		
	U.S.	(Metric)
Stroke .....	2.83"	(72 mm)
Max. Inlet Temperature.....	86 °F.....	(30 °C)
Weight .....	771 lbs.....	(350 kg)
Crankcase Oil Capacity .....	3.3 Gal.....	(12.5 L)
Crankcase Oil Capacity (gearbox).....	4.2 Gal.....	(16.0 L)
Inlet Ports .....	(2) 3" BSP	
Outlet Ports.....	(2) 1-1/4" BSP	
<b>Materials Used</b>		
Manifold .....	Nickel Plated Spheroidal Cast Iron	
Manifold (-1000) .....	Bronze	
Manifold (-Brine).....	Nickel Aluminum Bronze	
Plunger .....	Solid Ceramic Oxide	
Valves .....	Duplex Stainless Steel	
Seals .....	Nitrile with Fabric Reinforcing	
Crankcase .....	Spheroidal Cast Iron	
<b>Gear Ratios .....</b>	<b>Input Speed</b>	
2.6.....	1500 RPM	
3.1.....	1800 RPM	
3.8.....	2200 RPM	
4.5.....	2600 RPM	

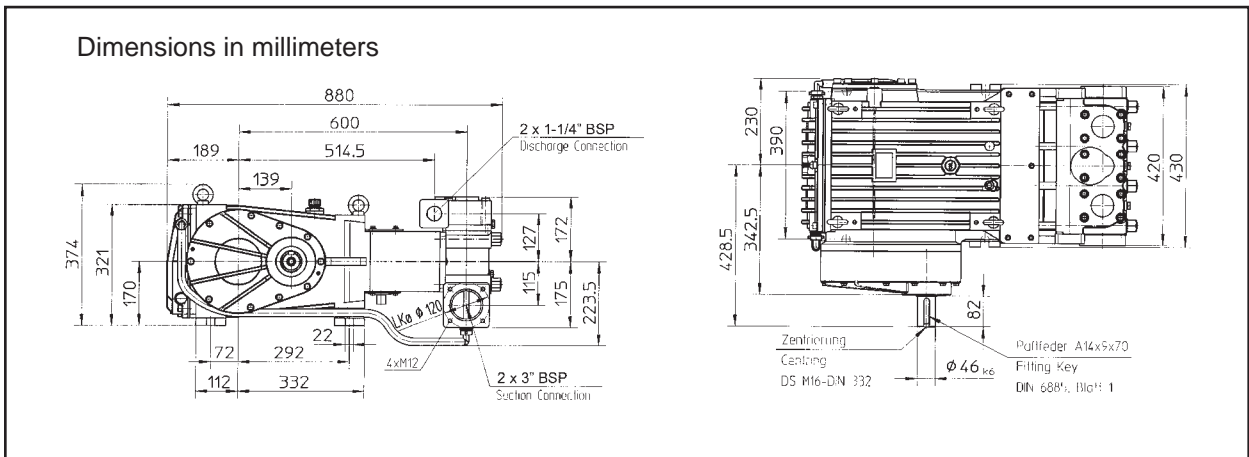


Gearbox w/Solid Pinion Shaft



Integrated water - cooled gear end on all pumps

Gearbox also available in Reverse Position



# GP8100 Series

## High Flow Pump - Gearbox w/Solid Pinion Shaft

Model	Flow	Pressure	Speed	Power Required	Plunger Diameter	Price
	<b>GPM (LPM)</b>	<b>PSI (Bar)</b>	<b>RPM</b>	<b>HP (kW)</b>	<b>in (mm)</b>	
GP8155GB-180	75.3 (285)	3000 (200)	580	150 (112)	2.17 (55)	\$39,900.00
GP8160GB-180	90.0 (340)	2500 (170)	580	153 (114)	2.36 (60)	\$39,900.00
GP8165GB-180	105.7 (400)	2000 (140)	580	146 (109)	2.55 (65)	\$39,900.00

### Common Specifications & Materials

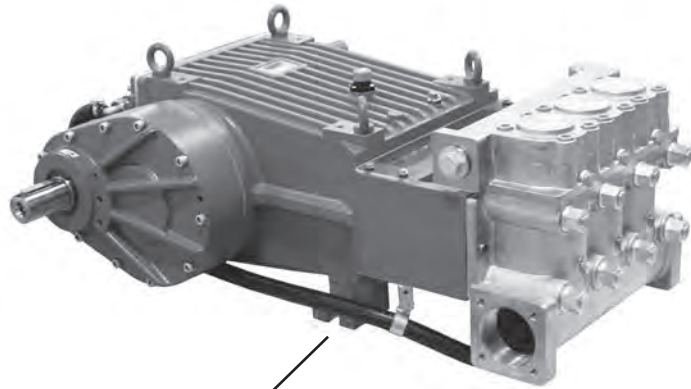
	U.S.	(Metric)
Stroke .....	2.83"	(72 mm)
Max. Inlet Temperature.....	86 °F	(30 °C)
Weight .....	767 lbs	(348 kg)
Crankcase Oil Capacity .....	4.2 Gal...	(16.0 Liters)
Inlet Ports .....	(2) 3" BSP	
Outlet Ports.....	(2) 1-1/4" BSP	

#### Materials Used

Manifold.....Nickel Plated Spheroidal Cast Iron  
 Plunger.....Solid Ceramic Oxide  
 Valves.....Duplex Stainless Steel  
 Seals.....Nitrile with Fabric Reinforcing  
 Crankcase.....Spheroidal Cast Iron

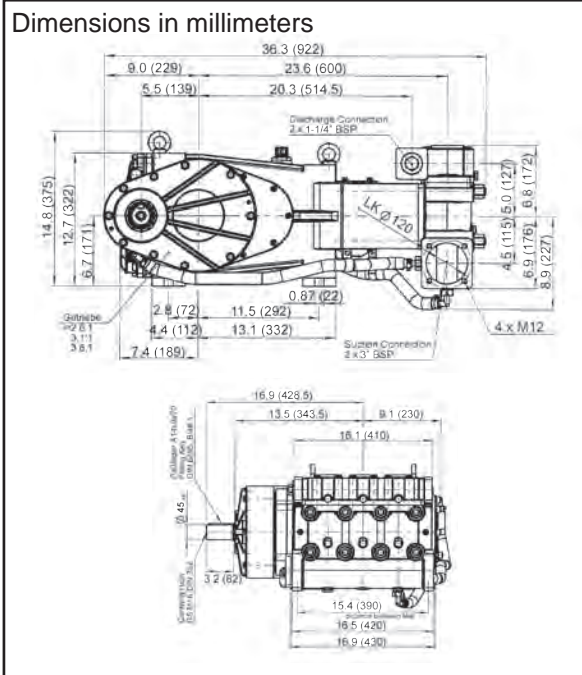
#### Gear Ratios .....Input Speed

2.6.....	1500 RPM
3.1.....	1800 RPM
3.8.....	2200 RPM
4.5.....	2600 RPM



Integrated water - cooled gear end on all pumps

### Gearbox in Reverse Position



### Repair Kits

Kit	Part Number	List Price
<b>Plunger Packing Kit :</b>		
(GP8155):	09616	\$672.89
(GP8160):	09617	\$1,382.87
(GP8165):	09586	\$1,164.99
Inlet Valve Kit:	09587	\$922.56
Discharge Valve Kit:	09588	\$1,043.73
Oil Seal Kit:	09584	\$251.87

## Hydraulic Drive Pumps with Splined Shaft

Model	Flow	Pressure	Speed	Power Required	Plunger Diameter	Price
	<b>GPM (LPM)</b>	<b>PSI (Bar)</b>	<b>RPM</b>	<b>HP (kW)</b>	<b>in (mm)</b>	
GP8155GBHS	75.3 (285)	3000 (200)	580	150 (112)	2.17 (55)	\$40,000.00
GP8160GBHS	90.0 (340)	2500 (170)	580	153 (114)	2.36 (60)	\$40,000.00
GP8165GBHS	106.0 (400)	2000 (140)	580	146 (109)	2.55 (65)	\$40,000.00

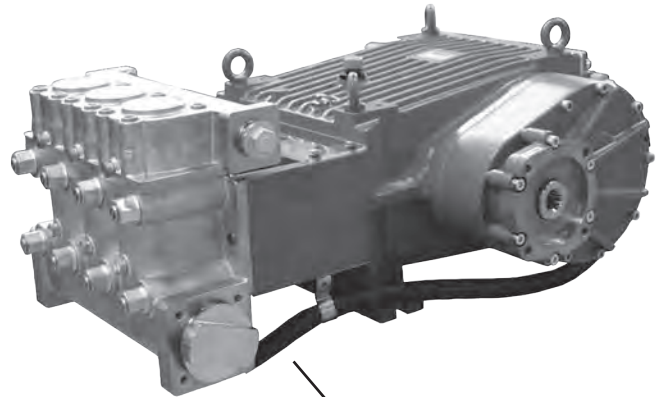
### Common Specifications & Materials

	U.S.	(Metric)
Stroke .....	2.83"	(72 mm)
Max. Inlet Temperature .....	86 °F	(30 °C)
Weight (w/o gearbox) .....	793 lbs	(360 kg)
Crankcase Oil Capacity .....	4.2 Gal	(16.0 Liters)
Inlet Ports .....	(2) 3" BSP	
Outlet Ports .....	(2) 1-1/4" BSP	

#### Materials Used

Manifold .....	Nickel Plated Spheroidal Cast Iron
Plunger .....	Solid Ceramic Oxide
Valves .....	Duplex Stainless Steel
Seals .....	Nitrile with Fabric Reinforcing
Crankcase .....	Spheroidal Cast Iron

**Gear Ratio** ..... 3.8:1



**Integrated water - cooled gear end on all pumps**

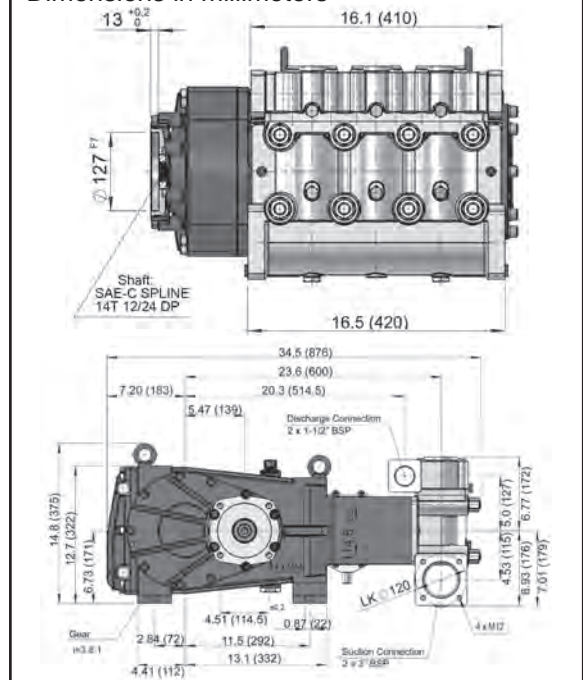
**Gearbox also available in Reverse Position**

### Repair Kits / Accessories

Kit	Part Number	List Price
Plunger Packing Kit		
(GP8155):	09616	\$672.89
(GP8160):	09617	\$1,382.87
(GP8165):	09586	\$1,164.99
Inlet Valve Kit:	09587	\$922.56
Discharge Valve Kit:	09588	\$1,043.73
Oil Seal Kit:	09584	\$251.87
Anti-Seize:	03325*	\$6.98

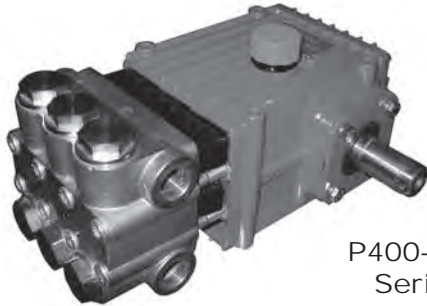
\*Commercial Discount

### Dimensions in millimeters



## Nickel Aluminum-Bronze

These pumps can withstand the corrosive effect of certain types of fluid. Built with either Nickel-Aluminum-Bronze, AISI 316 stainless steel or Duplex stainless steel. Typical applications for these pumps are reverse osmosis (desalination), brine pumping, waste-water injection, chemical processing, humidification, misting, and degreasing/cleaning for industrial applications.



P400-3100 Series



GP7155-3100 Pump

Model	Flow	Pressure	Speed	Power Required	Plunger Diameter	Price
	GPM (LPM)	PSI (Bar)	RPM	HP (kW)	in (mm)	
P230-3100	1.1 (4.2)	2200 (140)	1750	1.5 (2.0)	0.71 (18)	\$1,785.00
P221-3100	2.3 (8.9)	2200 (140)	1750	3.3 (4.5)	0.71 (18)	\$1,785.00
P217-3100	3.3 (12.5)	2200 (140)	3450	5.0 (6.7)	0.71 (18)	\$1,785.00
P218-3100	3.4 (12.8)	2200 (140)	1750	4.7 (6.3)	0.71 (18)	\$1,785.00
P219-3100	4.2 (15.9)	2200 (140)	1750	5.8 (7.8)	0.71 (18)	\$1,785.00
P220-3100	4.7 (17.6)	2200 (140)	1750	6.5 (8.7)	0.71 (18)	\$1,785.00
P55-3100	4.8 (18.1)	1900 (130)	1420	6.3 (4.7)	0.71 (18)	\$2,730.00
P450-3100	5.5 (21)	5075 (350)	1450	19.2 (14.3)	0.71 (18)	\$5,620.00
P56-3100	6.1 (23.0)	1900 (130)	1420	8.0 (6.0)	0.71 (18)	\$2,730.00
P435-3100	6.6 (25)	3625 (250)	1450	16.6 (12.4)	0.71 (18)	\$5,620.00
P423-3100	8.2 (31.1)	2900 (200)	1450	16.4 (12.2)	0.87 (22)	\$5,620.00
P422-3100	9.9 (37.5)	2610 (180)	1450	17.8 (13.3)	0.87 (22)	\$5,620.00
P425-3100	10.6 (40.4)	2465 (170)	1450	18.1 (13.5)	0.98 (25)	\$5,620.00
P420-3100	12.8 (48.4)	2175 (150)	1450	19.2 (14.3)	0.98 (25)	\$5,620.00
MP4130-3100	15.4 (58.3)	1600 (110)	1100	17.0 (12.7)	1.2 (30)	\$9,100.00
MP4135-3100	18.0 (68.1)	1600 (110)	1100	19.9 (14.8)	1.2 (30)	\$9,050.00
LP250A-3100	25.7 (97.3)	2030 (140)	1000	36.0 (26.9)	1.3 (32)	\$12,400.00
LP122A-3100	35.4 (134.0)	1300 (90)	800	31.7 (23.6)	1.7 (42)	\$12,400.00
GP6145-3100	46.5 (175.9)	1740 (120)	800	55.8 (41.6)	1.8 (45)	\$25,200.00
GP8045-3100	48.9 (185)	4350 (185)	580	146.7 (109.4)	1.8 (45)	\$69,600.00
GP8048-3100	56.3 (215)	3770 (260)	580	146.4 (109.2)	1.9 (48)	\$69,600.00
GP7155-3100	65.8 (249.1)	1500 (100)	700	65.7 (49.0)	2.2 (55)	\$38,400.00
GP8055-3100	74.8 (285)	2900 (200)	580	161.8 (120.7)	2.2 (55)	\$69,600.00
GP8060-3100	90.0 (340)	2465 (170)	580	153.0 (114.1)	2.4 (60)	\$69,600.00
GP8065-3100	105.6 (400)	2030 (140)	580	150.0 (111.9)	2.6 (65)	\$69,600.00



# Corrosion Resistant Pumps



## AISI 316 Stainless Steel

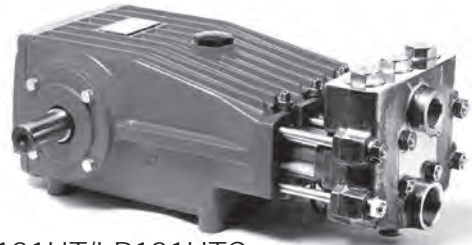
Model	Flow	Pressure	Speed	Power Required	Plunger Diameter	Price
	GPM (LPM)	PSI (Bar)	RPM	HP (kW)	in (mm)	
P205-5100	0.38 (1.4)	2500 (170)	1750	0.7 (0.5)	0.47 (12)	\$2,260.00
P206-5100	0.73 (2.8)	2200 (150)	1750	1.0 (0.7)	0.47 (12)	\$2,260.00
P230-5100	1.1 (4.2)	2200 (150)	1750	1.5 (1.1)	0.71 (18)	\$2,260.00
P209-5100	1.5 (5.7)	2200 (150)	1750	2.1 (1.6)	0.47 (12)	\$2,260.00
P227-5100	2.1 (8.0)	2200 (150)	1750	2.9 (2.2)	0.71 (18)	\$2,260.00
P221-5100	2.3 (8.9)	2200 (150)	1750	3.3 (2.5)	0.71 (18)	\$2,260.00
P217-5100	3.3 (12.5)	2200 (150)	3450	4.7 (3.5)	0.71 (18)	\$2,260.00
P218-5100	3.4 (12.8)	2200 (150)	1750	5.0 (3.7)	0.71 (18)	\$2,260.00
P55-5100	3.9 (14.7)	2320 (160)	1420	7.8 (5.8)	0.71 (18)	\$4,830.00
P219-5100	4.2 (15.9)	2200 (150)	1750	5.8 (4.3)	0.71 (18)	\$2,260.00
P220-5100	4.7 (17.6)	2200 (150)	1750	6.5 (4.9)	0.71 (18)	\$2,260.00
P450-5100	5.5 (21)	5075 (350)	1450	19.0 (14.2)	0.71 (18)	\$8,490.00
P56-5100	6.1 (23.1)	1885 (130)	1420	7.9 (5.9)	0.79 (20)	\$4,830.00
P435-5100	6.6 (25)	3625 (250)	1450	16.5 (12.3)	0.71 (18)	\$8,490.00
P423-5100	8.2 (31.1)	2900 (200)	1450	16.4 (12.2)	0.87 (22)	\$8,465.00
P422-5100	9.9 (37.5)	2610 (180)	1450	17.5 (13.0)	0.87 (22)	\$8,465.00
P425-5100	10.7 (40.6)	2500 (170)	1450	18.2 (13.6)	0.98 (25)	\$7,365.00
P420-5100	12.8 (48.4)	2200 (150)	1450	19.2 (14.3)	0.98 (25)	\$7,365.00
MP4124-5100	12.8 (48.6)	2610 (180)	1450	23.0 (17.1)	0.94 (24)	\$14,400.00
LP301A-5100	14.2 (53.6)	3900 (270)	1000	39.2 (29.2)	0.94 (24)	\$14,200.00
MP4126-5100	17.9 (67.7)	1600 (110)	1100	20.4 (15.2)	1.2 (30)	\$14,400.00
LP200-5100	19.1 (72.2)	3000 (200)	1000	39.5 (29.5)	1.1 (28)	\$16,600.00
LP250A-5100	26 (98.3)	2200 (150)	1000	39.4 (29.4)	1.3 (32)	\$16,600.00
GP5132-5100	27.7 (104.9)	2900 (200)	1000	57.4 (42.8)	1.3 (32)	\$21,100.00
GP8035-5100	29 (110)	7250 (500)	580	145.5 (105.5)	1.4 (35)	\$78,450.00
LP121A-5100	32.5 (123.1)	1740 (120)	1000	39.0 (29.1)	1.4 (36)	\$16,600.00
GP5136-5100	33.8 (127.8)	2320 (160)	910	54.0 (40.3)	1.4 (36)	\$21,100.00
LP122A-5100	35.4 (134.0)	1300 (90)	800	33.1 (24.7)	1.7 (42)	\$16,900.00
GP7142-5100	38.4 (145.2)	2610 (180)	700	69.1 (51.5)	1.9 (48)	\$46,300.00
GP8040-5100	39.6 (150)	5510 (380)	580	150.5 (112.2)	1.6 (40)	\$78,450.00
GP5145-5100	43.5 (164.6)	1450 (100)	750	43.5 (32.5)	1.8 (45)	\$21,100.00
GP8045-5100	48.9 (185)	4350 (300)	580	146.7 (109.4)	1.8 (45)	\$78,450.00
GP8048-5100	56.3 (213)	3770 (260)	580	146.4 (109.2)	1.9 (48)	\$78,450.00
GP7155-5100	65.8 (249.1)	1500 (100)	700	70.5 (52.6)	2.2 (55)	\$46,300.00
GP8055-5100	74.8 (283)	3000 (200)	580	161.8 (120.7)	2.2 (55)	\$78,450.00
GP8060-5100	90 (340)	2465 (170)	580	153.0 (114.1)	2.4 (60)	\$78,450.00
GP8065-5100	105.6 (400)	2030 (140)	580	150.0 (111.9)	2.6 (65)	\$78,450.00



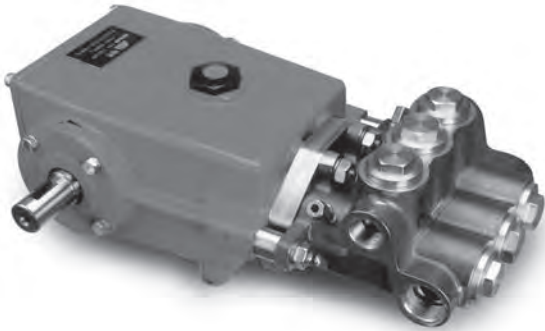
# High Temperature/Boiler Feed Pumps 220 Degree Rating



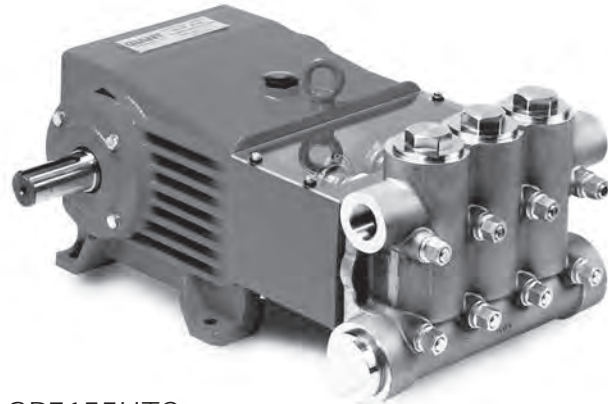
P56HT



LP121HT/LP121HTC



MP4130HTC



GP7155HTC

Model	Flow	Pressure	Speed	Power Required	Plunger Diameter	Price
	GPM (LPM)	PSI (Bar)	RPM	HP (kW)	in (mm)	
P46HT*	2.5 (9.3)	870 (60)	750	1.3 (0.97)	0.71 (18)	\$1,600.00
P56HT*	3.2 (12.2)	870 (60)	750	1.9 (1.4)	0.79 (20)	\$2,200.00
SP100HT	5.9 (22.5)	870 (60)	750	3.5 (2.6)	1.02 (26)	\$4,100.00
MP4130HTC	10.5 (39.7)	1160 (80)	750	8.4 (6.2)	1.18 (30)	\$7,875.00
MP4126HTC	12.2 (46.2)	1160 (80)	750	9.8 (7.3)	1.18 (30)	\$9,765.00
MP4135HTC	12.2 (46.2)	1160 (80)	750	9.8 (7.3)	1.18 (30)	\$9,765.00
LP121HT	17.7 (66.8)	1160 (80)	570	14.6 (10.9)	1.42 (36)	\$10,500.00
LP121HTC	17.7 (66.8)	1160 (80)	570	14.6 (10.9)	1.42 (36)	\$10,500.00
LP121A-4000HT	17.7 (66.8)	1160 (80)	570	14.6 (10.9)	1.42 (36)	\$16,745.00
GP7142HTC	25.1 (95.0)	1160 (80)	460	20.1 (15.0)	1.7 (42)	\$24,100.00
GP7142-4000HTC	25.1 (95.0)	1160 (80)	460	20.1 (15.0)	1.7 (42)	\$46,000.00
GP7155HTC	42.4 (160.3)	1160 (80)	460	33.9 (25.3)	2.17 (55)	\$39,400.00
GP8065HT-1000	75.3 (285)	1450 (80)	420	75.3 (56.1)	2.55 (65)	\$61,000.00

\*Commercial Discount

# High Temperature/High Pressure Pumps



## 195 Degree Rating



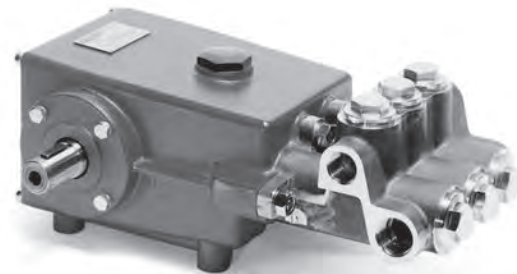
P200-0030 Series



P56HK



P300-0030 Series



MP4130HK

Model	Flow	Pressure	Speed	Power Required	Plunger Diameter	Price
	GPM (LPM)	PSI (Bar)	RPM	HP (kW)	in (mm)	
P230-0030	1.1 (4.2)	2000 (140)	1750	1.5 (1.1)	0.71 (18)	\$1,274.50
P217-0030	1.8 (6.8)	2000 (140)	1750	2.5 (1.9)	0.71 (18)	\$1,274.50
P221-0030	2.3 (8.9)	2000 (140)	1750	3.2 (2.4)	0.71 (18)	\$1,274.50
P218-0030	3.4 (12.9)	2000 (140)	1750	4.7 (3.5)	0.71 (18)	\$1,274.50
P317-0030	3.5 (13.2)	2500 (175)	1750	6.0 (4.5)	0.71 (18)	\$1,316.50
P46W-HK	3.9 (14.8)	2175 (150)	1420	5.9 (4.4)	0.71 (18)	\$1,460.00
P219-0030	4.2 (15.9)	2000 (140)	1750	5.8 (4.3)	0.71 (18)	\$1,274.50
P220-0030	4.7 (17.8)	2000 (140)	1750	6.5 (4.8)	0.71 (18)	\$1,274.50
P316-0030	5.0 (18.9)	2500 (175)	1750	8.1 (6.0)	0.71 (18)	\$1,316.50
P319-0030	5.2 (19.7)	2500 (175)	1750	9.0 (6.8)	0.71 (18)	\$1,316.50
P455B-0030	5.5 (21.0)	4350 (300)	1450	19.3 (14.4)	0.71 (18)	\$3,000.00
P56W-HK	6.1 (23.1)	1900 (130)	1420	8.0 (6.0)	0.79 (20)	\$1,985.00
SP100HK	11.2 (42)	2000 (140)	1420	15.4 (11.5)	1.02 (26)	\$4,100.00
<i>MP4130HK</i>	15.4 (58.2)	1600 (110)	1100	17.6 (13.1)	1.18 (30)	\$5,995.00



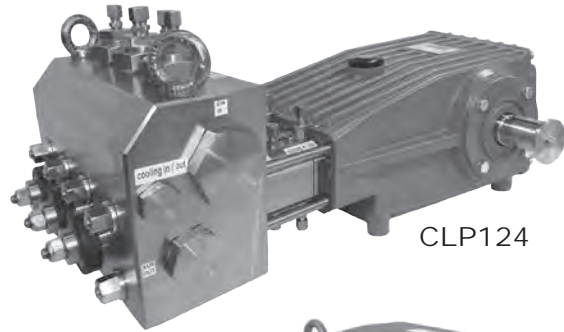
CP420/CP425



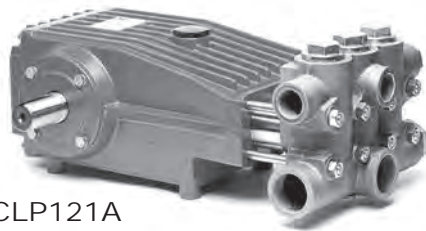
CGP7255



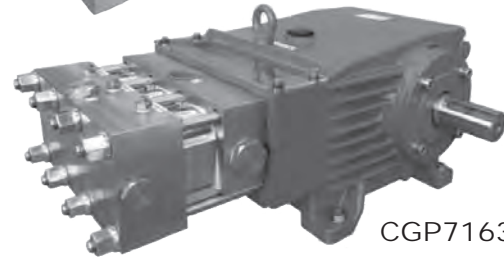
CP470 Pump



CLP124



CLP121A



CGP7163

Model	Flow	Pressure	Speed	Power Required	Plunger Diameter	Price
	<b>GPM (LPM)</b>	<b>PSI (Bar)</b>	<b>RPM</b>			
<i>CP230-5123</i>	0.45 (1.7)	2000 (140)	750	0.7 (0.5)	0.71 (18)	\$3,400.00
<i>CP230</i>	0.5 (1.8)	2000 (140)	750	0.7 (0.5)	0.71 (18)	\$1,400.00
<i>CP217-5123</i>	0.73 (2.7)	2000 (140)	750	1.0 (0.8)	0.71 (18)	\$3,400.00
<i>CP218</i>	1.4 (5.3)	2000 (140)	750	2.0 (1.5)	0.71 (18)	\$1,400.00
<i>CP218-5123</i>	1.4 (5.3)	2000 (140)	750	2.0 (1.5)	0.71 (18)	\$3,400.00
<i>CP220</i>	1.9 (7.3)	2000 (140)	750	2.7 (2.0)	0.71 (18)	\$1,400.00
<i>CP220-5123</i>	1.9 (7.3)	2000 (140)	750	2.7 (2.0)	0.71 (18)	\$3,400.00
<i>CP460-4053</i>	2.0 (7.5)	6000 (580)	750	8.3 (6.2)	0.55 (14)	\$7,570.00
<i>CP425</i>	5.5 (21)	2000 (140)	750	7.8 (5.8)	1.02 (25)	\$4,975.00
<i>CP420</i>	6.4 (24.3)	1740 (120)	750	7.7 (5.7)	1.02 (25)	\$4,975.00
<i>CP470</i>	9.2 (35.0)	1740 (120)	750	11.1 (8.3)	1.18 (30)	\$5,610.00
<i>CLP124</i>	13.5 (51.0)	4350 (300)	1000	40.0 (30.0)	0.94 (24)	\$81,585.00
<i>CLP121A</i>	15.9 (60.0)	1740 (120)	500	19.1 (14.2)	1.42 (36)	\$17,270.00
<i>CLP121A-4000</i>	15.9 (60.0)	1740 (120)	500	19.1 (14.2)	1.42 (36)	\$21,675.00
<i>CGP7163</i>	59.3 (224.4)	1160 (80)	480	47.4 (35.3)	2.48 (63)	\$44,555.00

High pressure pumps that are used in the machining process will assist manufactures in the production of various metallic parts. Because machine tool coolant has special characteristics, special designs are often used to make sure that the pumps operate as needed. These pumps will help a machine cut metal faster and with more consistency.



P420CR-0020



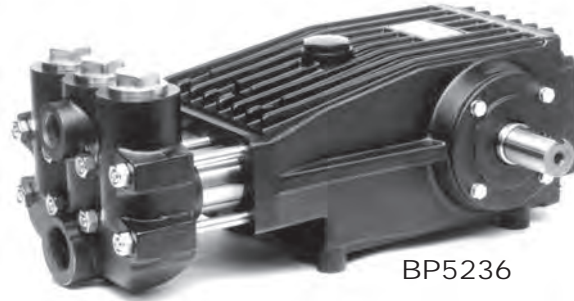
LP250MT-0020

Model	Flow	Pressure	Speed	Power Required	Plunger Diameter	Price
	GPM (LPM)	PSI (Bar)	RPM			
P217MT-0020	3.4 (12.5)	2000 (140)	3450	4.7 (3.5)	0.71 (18)	\$1,485.00
P219MT-0020	4.2 (15.9)	2000 (140)	1750	5.8 (4.3)	0.71 (18)	\$1,490.00
P59MT-0020	7.5 (28.0)	1900 (130)	1450	10.0 (7.5)	0.87 (22)	\$2,000.00
<i>P423CR-0020</i>	8.2 (31.1)	2900 (200)	1450	16.4 (12.2)	0.87 (22)	\$2,955.75
<i>P420CR-0020</i>	12.8 (48.4)	2175 (150)	1450	19.2 (14.3)	0.98 (25)	\$2,955.00
<i>LP250MT-0020</i>	26.0 (98.3)	2200 (150)	1000	39.4 (29.4)	1.26 (32)	\$10,790.00

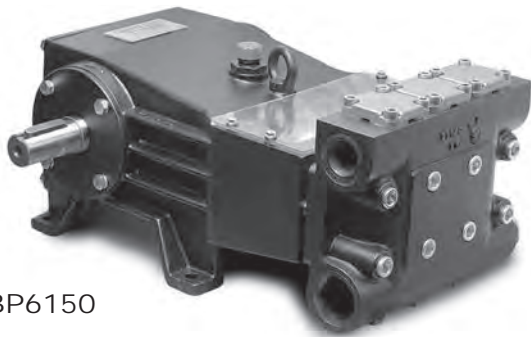




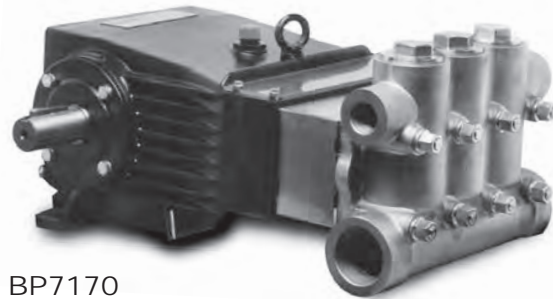
BP100



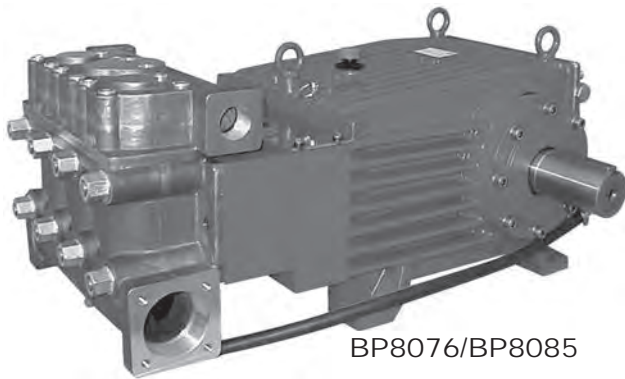
BP5236



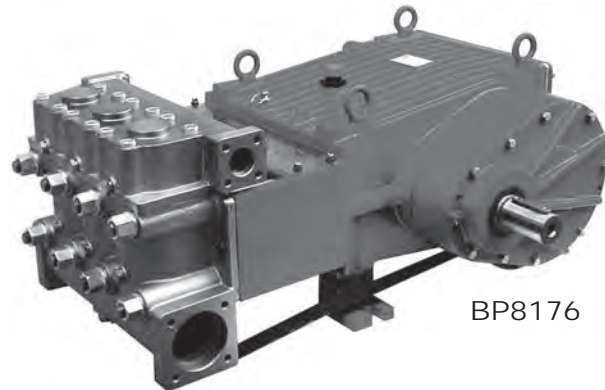
BP6150



BP7170



BP8076/BP8085

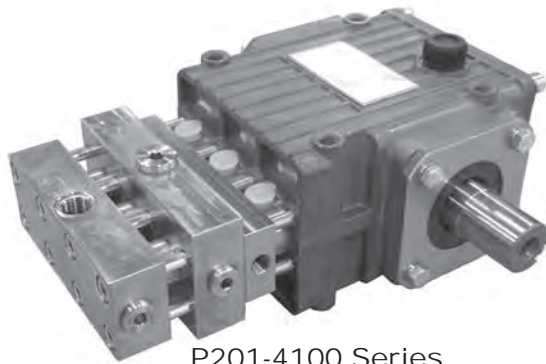


BP8176

Model	Flow	Pressure	Speed	Power Required	Plunger Diameter	Price
	<b>GPM (LPM)</b>	<b>PSI (Bar)</b>	<b>RPM</b>	<b>HP (kW)</b>	<b>in (mm)</b>	
<i>BP100</i>	5.9 (22.5)	1885 (130)	750	8.0 (6.0)	1.02 (26)	\$3,515.00
<i>BP5236</i>	18.5 (70.0)	1450 (100)	570	18.5 (13.8)	1.42 (36)	\$9,975.00
<i>BP6150</i>	42.3 (160)	1500 (100)	600	43.8 (32.7)	1.97 (50)	\$19,425.00
<i>BP7170</i>	84.5 (320)	1015 (70)	560	59.0 (44.0)	2.76 (70)	\$29,415.00
<i>BP7171</i>	105.7 (400)	1015 (70)	700	73.7 (55.0)	2.76 (70)	\$35,100.00
<i>BP8076</i>	132 (500)	1500 (100)	520	129 (96)	2.99 (76)	\$49,000.00
<i>BP8176</i>	132 (500)	1500 (100)	520	129 (96)	2.99 (76)	\$53,400.00
<i>BP8085</i>	171.7 (650)	1160 (80)	530	134 (100)	3.3 (85)	\$51,300.00



High pressure pumps that are used for pumping media such as isocyanate, Freon, pentane, polyol and catalysts used in the manufacturing of polyurethane products (including insulating materials, automobile components, plastic panels, etc.).



Model	Flow	Pressure	Speed	Power Required	Plunger Diameter	Price
	GPM (LPM)	PSI (Bar)	RPM	HP (kW)	in (mm)	
P201-4120	0.4 (1.5)	3190 (220)	1450	0.88 (0.66)	0.47 (12)	\$13,965.00
P201-4121	0.4 (1.5)	3190 (220)	1450	0.88 (0.66)	0.47 (12)	\$13,965.00
P202-4120	1.27 (4.8)	3190 (220)	1450	2.8 (2.1)	0.47 (12)	\$13,965.00
P202-4121	1.27 (4.8)	3190 (220)	1450	2.8 (2.1)	0.47 (12)	\$13,965.00
P204-4120	1.8 (6.8)	3190 (220)	1450	4.0 (3.0)	0.47 (12)	\$13,965.00
P204-4121	1.8 (6.8)	3190 (220)	1450	4.0 (3.0)	0.47 (12)	\$13,965.00

**Optional Materials of O-Rings**

- 4120 = Nitrile O-Rings
- 4121 = Viton O-Rings
- 4123 = EPDM O-Rings
- 4124 = Kalrez O-Rings
- 4127 = Isolast O-Rings



### Safe

4:1 Burst pressure - 20,000 PSI

### Maintainable

Easy to repair - 5 minutes

### Value

Competitively Priced

### Durability

Housing withstands the toughest abuse



### Custom Made

Private labeling available

### Guarantee

Guaranteed for 6 months - 2 times the competition

### Reliable

Hundreds of thousands of cycles

### Versatile

Weep (blue trigger) or non-weep (black trigger)

### Common Specifications

	U.S.	(Metric)
Flow .....	10 GPM.....	(38 LPM)
Pressure .....	5000 PSI.....	(350bar)
Pressure (21280B only).....	1500 PSI.....	(100bar)
Temp.....	300 °F.....	(150 °C)
Temp (21280B only) .....	250 °F.....	(121 °C)
Inlet Fitting.....		3/8" NPT
Discharge Fitting.....		1/4" NPT
Weight .....	1.8 lbs.....	(0.82 kg)

## Shut-Off Guns

Model	Weep	Discharge Fitting	Inlet Size	Discharge Size	Special Features	List Price	Order Qty
21250B	N	Stainless Steel	3/8" FNPT	1/4" FNPT	Heavy Duty Housing	\$63.80	20
21250B-08-08SS	N	Stainless Steel			SS Inlet	\$94.00	20
21250-4000	N	Stainless Steel			SS Inlet Fitting/Tube	\$94.00	20
21250B-4000-CR	N	Stainless Steel	3/8" FNPT	1/4" FNPT	Ceramic Ball	\$100.55	20
21255B	Y	Stainless Steel	3/8" FNPT	1/4" FNPT	Heavy Duty Housing	\$63.80	20
21255B-001	Y	Stainless Steel			Viton O-Rings	\$73.00	20
21255-4000	Y	Stainless Steel			SS Inlet Fitting/Tube	\$94.00	20
21260A	N	None	3/8" FNPT	1/4" FNPT		\$44.75	20
21265A	Y	None	3/8" FNPT	1/4" FNPT		\$44.75	20
21280B	N	Stainless Steel	3/8" FNPT	1/4" FNPT	Plastic Ball	\$64.00	20
21290C	N	Plated Steel	3/8" FNPT	1/4" FNPT		\$50.55	20
21290CB	N	Brass	3/8" FNPT	1/4" FNPT	Brass Inlet	\$56.55	20
21290CC	N	Plated Steel	3/8" FNPT	1/4" FNPT	Blue Housing	\$53.25	20
21290C-CR	N	Plated Steel	3/8" FNPT	1/4" FNPT	Ceramic Ball	\$57.15	20
21295C	Y	Plated Steel	3/8" FNPT	1/4" FNPT		\$50.55	20
21295C-001	Y	Plated Steel			Viton O-Rings	\$59.75	20
21295CB	Y	Plated Steel	3/8" FNPT	1/4" FNPT		\$56.55	20
21295CC	Y	Plated Steel	3/8" FNPT	1/4" FNPT	Blue Housing	\$53.25	20
21295CX	Y	Plated Steel	3/8" FNPT	1/4" FNPT	XL Weep	\$50.55	20
21490	N	Brass	3/8" FNPT	1/4" FNPT	Heavy Duty Housing	\$52.50	20
21495	Y	Brass	3/8" FNPT	1/4" FNPT	Heavy Duty Housing	\$52.50	20
21495CB	Y	Brass	3/8" FNPT	1/4" FNPT	Heavy Duty Housing	\$58.50	20



21380



21381



21382

## Linear Guns

Model	Flow	Pressure	Inlet Size	Discharge Size	Special Features	List Price
21380	10 GPM	4500 PSI	3/8" FNPT	1/4" FNPT		\$87.50
21380SS	10 GPM	4500 PSI	3/8" FNPT	1/4" FNPT	Stainless Steel Fittings	\$100.70
21380-08-08SS	10 GPM	4500 PSI	1/2" FNPT	1/2" FNPT	Stainless Steel Fittings	\$127.50
21380-12-12SS	10 GPM	4500 PSI	3/4" FNPT	3/4" FNPT	Stainless Steel Fittings	\$140.55
21382	27 GPM	2800 PSI	1/2" FNPT	1/2" FNPT		\$290.00
21381	32 GPM	4500 PSI	1/2" FNPT	1/2" FNPT		\$460.00



21650



21790



21795



21480



21650

## Heavy Duty Shut-Off Guns

Model	Flow	Pressure	Inlet Size	Discharge Size	Special Features	List Price
21475	7.4 GPM	7250 PSI	3/8" FNPT	1/4" FNPT		\$399.00
21460	10.5 GPM	15,000 PSI	3/8" FNPT	3/8" FNPT		\$939.75
21480	15.8 GPM	8700 PSI	3/8" FBSP	1/4" FBSP		\$719.25
21480-E	15.9 GPM	8700 PSI	3/8" FBSP	1/4" FBSP	w/microswitch	\$719.25
21650	21 GPM	7250 PSI	1/2" FNPT	1/2" FNPT		\$497.30
21650-16	21 GPM	7250 PSI	1/2" FNPT	1/2" FNPT	w/16" lance and grip	\$695.00
21650-32	21 GPM	7250 PSI	1/2" FNPT	1/2" FNPT	w/32" lance and grip	\$782.25
21650-50	21 GPM	7250 PSI	1/2" FNPT	1/2" FNPT	w/50" lance and grip	\$1,010.00
21390-4000	10 GPM	5200 PSI	3/8" FNPT	1/2" FNPT		\$414.75
21790	31.7 GPM	1740 PSI	1/2" FBSP	1/2" FBSP		\$241.50
21790-16	31.7 GPM	1740 PSI	1/2" FBSP	1/2" FBSP	w/16" lance and grip	\$325.50
21790-32	31.7 GPM	1740 PSI	1/2" FBSP	1/2" FBSP	w/32" lance and grip	\$346.50
21795	52.8 GPM	2900 PSI	3/4" FBSP	1/2" FBSP		\$462.00



## Long Range w/lance and nozzle

Model	Flow	Pressure	Inlet Size	List Price
21915A-XX	10 GPM	3650 PSI	3/8" BSP	\$330.75
21910-XX	21 GPM	1850 PSI	1/2" BSP	\$535.50
21920-XX	32 GPM	1740 PSI	1/2" BSP	\$545.00



## Gun Assemblies

Model	Flow	Pressure	Inlet Size	List Price
21460-06G-04-25	10.5 GPM	15,000 PSI	1/4" FNPT	\$2,035.00

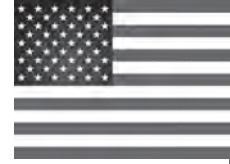


## Dump Guns

Model	Flow	Pressure	Inlet Size	List Price
27510	15 GPM	15,000 PSI	1/2" MNPT	\$3,307.50
21470	10 GPM	40,000 PSI	9/16" HP	\$2,416.14



## Straight, Stainless Steel Lances



Model Number	Size Inches	Pressure PSI (bar)	Thread Size Inches (MNPT)	Weight lbs.	List Price U.S \$	Order Quantity
21732	6	7250 (500)	1/4"	0.20	\$4.90	10
21732-08	6	7250 (500)	1/2"	0.4	\$8.80	10
21784	8	7250 (500)	1/4"	0.26	\$6.25	10
21733	12	7250 (500)	1/4"	0.41	\$9.40	10
21730-08	12	7250 (500)	1/2"	0.8	\$17.60	10
21734	15.5	7250 (500)	1/4"	0.53	\$12.15	10
21734-08	15.5	7250 (500)	1/2"	1.0	\$8.80	10
21782	17	7250 (500)	1/4"	0.55	\$13.35	10
21783	19	7250 (500)	1/4"	0.65	\$14.85	10
21735	24	7250 (500)	1/4"	0.82	\$12.60	10
21735-08	24	7250 (500)	1/2"	1.6	\$37.05	10
21736	36	7250 (500)	1/4"	1.23	\$17.25	10
21736-06	36	7250 (500)	3/8"	1.70	\$48.50	10
21736-08	36	7250 (500)	1/2"	2.4	\$22.70	10
21737	48	7250 (500)	1/4"	1.64	\$21.95	10
21737-06	48	7250 (500)	3/8"	2.27	\$64.70	10
21737-08	48	7250 (500)	1/2"	3.2	\$60.15	10
21738	60	7250 (500)	1/4"	2.05	\$26.60	10
21738-06	60	7250 (500)	3/8"	2.84	\$78.70	10
21738-08	60	7250 (500)	1/2"	4.0	\$87.95	10
21739	72	7250 (500)	1/4"	2.46	\$31.30	10
21739-06	72	7250 (500)	3/8"	3.41	\$92.75	10
21739-08	72	7250 (500)	1/2"	4.8	\$74.10	10
21741	84	7250 (500)	1/4"	2.87	\$65.80	10
21741-08	84	7250 (500)	1/2"	5.6	\$123.10	10
21754	96	7250 (500)	1/4"	3.28	\$75.20	10
21781	120	7250 (500)	1/4"	4.10	\$94.00	10
21781-08	120	7250 (500)	1/2"	10.5	\$175.90	10
<hr/>						
21719-06-15K	60"	15,000 (1000)	3/8"	12	\$1,144.75	

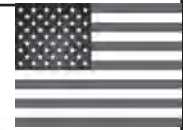
All Giant Single Tube Lances can be cut to custom lengths. Please contact Giant Industries for custom pricing.

## Straight, Stainless Steel with 12" Adj. Handle



Model Number	Size Inches	Pressure PSI (bar)	Thread Size Inches (MNPT)	Weight lbs.	List Price U.S \$
21742	15.5"	7250 (500)	1/4"	0.83	\$15.33
21743	24"	7250 (500)	1/4"	1.12	\$20.05
21744	36"	7250 (500)	1/4"	1.53	\$35.65
21745	48"	7250 (500)	1/4"	1.94	\$29.40
21746	60"	7250 (500)	1/4"	2.35	\$34.05
21747	72"	7250 (500)	1/4"	2.76	\$38.75
21749	84"	7250 (500)	3/8"	3.17	\$43.40
21759	96"	7250 (500)	1/4"	4.08	\$95.10
21759-2G (2 grips)	96"	7250 (500)	3/8"	4.11	\$103.25

## Lance Grips



Model	Size	Weight (lbs)	List Price	Order Quantity
21701A	12"	0.3	\$8.15	5
21704 side grip	1/4"	0.45	\$36.95	5
21705 side grip	1/2"	0.4	\$28.40	5



21704



21701A

## Bent, Single Tube Lance, 30°



Model	Size	Weight (lbs)	List Price
21762A	35.5"	1.25	\$44.95

## Bent, Double Tube Lance, 30°



Model	Size	Weight (lbs)	Notes	List Price
21780A	35.3"	2.8	Brass Seat	\$94.90
21780-S	35.3"	2.8	Stainless Steel Seat	\$104.40

# 0° Rotating Nozzles



## Standard Rotating Nozzles

### 27530 Series

List Price \$85.05\*

	<b>U.S.</b>	<b>(Metric)</b>
Maximum Pressure.....	3000 PSI	(200 bar)
Maximum Flow .....	3.9 GPM	(33 LPM)
Max Temperature.....	195 °F	(95 °C)
Bearing .....		Plastic
Nozzle.....		Ceramic
Nozzle Sizes.....		025-045
Spray Angle .....		20°
Inlet.....		1/4" BSP
Weight .....	0.4 lbs.	(0.20 kg)
Kit Series .....		09790-XX

XX = nozzle/kit size (2.0, 3.0, 3.5, 4.0, 4.5)  
\*Sold in lots of 100 pieces or more



27530

### 23800 Series

List Price \$94.50

### 23800C Series (with cover)

List Price \$98.70

	<b>U.S.</b>	<b>(Metric)</b>
Maximum Pressure.....	3700 PSI	(255 bar)
Maximum Flow .....	8.7 GPM	(33 LPM)
Max Temperature.....	195 °F	(95 °C)
Bearing .....		Ceramic
Nozzle.....		Ceramic
Nozzle Sizes.....		020-090
Spray Angle .....		20°
Inlet.....		1/4" BSP
Weight .....	0.7 lbs.	(318 g)
Kit Series .....		09511-XX

XX = nozzle/kit size (2.0, 2.5, 3.0, 3.5, 4.0, 4.5, 5.5, 6.0, 6.5, 7.0, 7.5, 8.0, 9.0, 10.0, 12.0)



23800

### 23810 Series

List Price \$75.60\*

### 23810C Series (with cover)

List Price \$80.85\*

	<b>U.S.</b>	<b>(Metric)</b>
Maximum Pressure.....	3700 PSI	(255 bar)
Maximum Flow .....	11 GPM	(42 LPM)
Max Temperature.....	195 °F	(90 °C)
Bearing .....		Ceramic
Nozzle.....		Ceramic
Nozzle Sizes.....		020-200
Spray Angle .....		20°
Inlet.....		1/4" BSP
Weight .....	0.7 lbs.	(318 g)
Kit Series .....		09730-XX

XX = nozzle/kit size (3.0 and 6.0)  
\*Sold in lots of 50 pieces or more \*Contact Giant for color options



23810

### 22040B Series

List Price \$107.10

### 22040B-XX-QDP Assemblies

List Price \$130.20

	<b>U.S.</b>	<b>(Metric)</b>
Maximum Pressure.....	3700 PSI	(255 bar)
Maximum Flow .....	12 GPM	(45 LPM)
Max Temperature.....	195 °F	(95 °C)
Bearing .....		Ceramic
Nozzle.....		Ceramic
Nozzle Sizes.....		020-200
Spray Angle .....		20°
Inlet.....		1/4" BSP
Weight .....	0.7 lbs.	(0.32 kg)
Kit Series .....		09440A-XX

XX = nozzle/kit size (2.0, 2.5, 3.0, 3.5, 4.0, 4.5, 5.0, 5.5, 6.0, 6.5, 7.0, 8.0, 9.0, 10.0, 11.0, 12.0, 15.0, 18.0, 20.0)



22040B

# 0° Rotating Nozzles



## Standard Rotating Nozzles

### 24036 Series

List Price \$189.00

	U.S.	(Metric)
Maximum Pressure.....	3200 PSI	(220 bar)
Maximum Flow .....	6.1 GPM	(25 LPM)
Max Temperature.....	212 °F	(100 °C)
Bearing .....		Ceramic
Nozzle.....		Ceramic
Nozzle Sizes.....		020-055
Spray Angle .....		30°
Inlet.....		1/4" BSP
Weight .....	1.1 lbs.	(0.49 kg)
Kit: (see below).....		09795-XX

\*XX = nozzle/kit size (2.0, 3.0, 3.5, 4.0, 4.5, 5.0, 5.5, 6.0, 6.5, 7.0, 7.5)



24036

### 22800 Series

List Price \$288.75

	U.S.	(Metric)
Maximum Pressure.....	3700 PSI	(255 bar)
Maximum Flow .....	5.3 GPM	(20 LPM)
Max Temp .....	195 °F	(90 °C)
Bearing .....		Ceramic
Nozzle.....		Ceramic
Nozzle Sizes.....		020-055
Spray Angle .....		40°
Inlet.....		1/4" BSP
Kit Series .....		09800-XX

\*XX = nozzle/kit size (2.0, 2.5, 3.0, 3.5, 4.0, 4.5, 5.5, 6.0, 6.5, 7.0, 7.5)



22800

### 23900 Series

List Price \$138.60

	U.S.	(Metric)
Maximum Pressure.....	4500 PSI	(310 bar)
Maximum Flow .....	6.3 GPM	(24 LPM)
Max Temperature.....	195 °F	(90 °C)
Bearing .....		Ceramic
Nozzle.....		Ceramic
Nozzle Sizes.....		020-100
Spray Angle .....		20°
Inlet.....		1/4" BSP
Weight .....	1.0 lbs.	(450 g)
Kit Series .....		09615-XXX*

XXX = nozzle/kit size (3.0, 3.5, 4.0, 4.5, 5.0, 5.5, 6.0, 6.5, 7.0, 10.0)



23900

### 22060A Series

List Price \$166.95 (Sizes 2.0-12.0)

\$204.75 (Sizes 15,18,20)

### 22060A-XX-08 Series

List Price \$211.05

### 22060A-XX-F-QDP Assemblies

List Price \$221.55

### 22060A-XX-F-QDP (15, 18, 20)

List Price \$248.85

	U.S.	(Metric)
Maximum Pressure.....	6000 PSI	(400 bar)
Maximum Flow .....	18.7 GPM	(83 LPM)
Max Temperature.....	195 °F	(90 °C)
Bearing .....		Ceramic
Nozzle.....		Ceramic
Nozzle Sizes.....		020-200
Spray Angle .....		20°
Inlet (22060A).....		1/4" BSP
Weight .....	1.3 lbs.	(590 g)
Kit (see below).....		09240A-XX*

\*XX = nozzle/kit size (2.0, 2.5, 3.0, 3.5, 4.0, 4.5, 5.0, 5.5, 6.0, 6.5, 7.0, 7.5, 8.0, 9.0, 10.0, 11.0, 12.0, 15.0, 18.0, 20.0)



22060A



22060A-XX-F-QDP



## Standard Rotating Nozzles

### 22400 Series

List Price \$1,129.80

	<b>U.S.</b>	<b>(Metric)</b>
Maximum Pressure.....	7250 PSI	(500 bar)
Maximum Flow .....	16.2 GPM	(61 LPM)
Max Temp .....	195 °F	(90 °C)
Bearing .....		Hard Metal
Nozzle.....		Hard Metal
Nozzle Sizes.....		020-120
Spray Angle .....		20°
Inlet.....		1/4" BSP
Weight .....	2.0 lbs.	(950 g)
Kit (see below).....		09485-XX

XX = nozzle size (2.0, 2.5, 3.0, 3.5, 4.0, 4.5, 5.0, 5.5, 6.0, 6.5, 7.0, 7.5, 8.0, 9.0, 10.0, 11.0, 12.0)



22400

### 23750 Series

List Price \$2,432.85 (sizes 2.0 and 3.5)

List Price \$2,595.60 (sizes 3.0 and 4.0-7.0)

	<b>U.S.</b>	<b>(Metric)</b>
Maximum Pressure.....	10,150 PSI	(700 bar)
Maximum Flow .....	16.2 GPM	(61 LPM)
Max Temperature.....	195 °F	(90 °C)
Bearing .....		Hard Metal
Nozzle.....		Hard Metal
Nozzle Sizes.....		020-120
Spray Angle .....		20°
Inlet.....		1/4" BSP
Weight .....	2.0 lbs.	(950 g)
Kit (see below).....		09555-XXX

\*XX = nozzle size (2.0, 2.5, 3.0, 3.5, 4.0, 4.5, 5.0, 5.5, 6.0, 6.5, 7.0)



23750

### 23850 Series

List Price \$4,009.95 (sizes 2.0-2.5)

List Price \$3,936.45 (size 5.5)

List Price \$4,055.10 (sizes 3.0-6.5 except 5.5)

List Price \$4,402.65 (sizes 1.5, 1.8 and 7.0-12.0)

	<b>U.S.</b>	<b>(Metric)</b>
Maximum Pressure.....	15,000 PSI	(1000bar)
Maximum Flow .....	22.8 GPM	(86 LPM)
Max Temperature.....	195 °F	(90 °C)
Bearing .....		Hard Metal
Nozzle.....		Hard Metal
Nozzle Sizes.....		020-120
Spray Angle .....		20°
Inlet.....		1/4" BSP
Weight .....	3.75 lbs.	(1.70 kg)
Kit: (see below).....		09545-XXX

\*XXX = nozzle/kit size (1.5, 1.8, 2.0, 2.5, 3.0, 3.5, 4.0, 4.5, 5.0, 5.5, 6.0, 6.5, 7.0, 7.5, 8.0, 9.0, 10.0, 11.0, 12.0)



23850



# 0° Rotating Nozzles



## Oscillating Nozzles

### 22000 Series

List Price \$169.05

	U.S.	(Metric)
Maximum Pressure.....	3700 PSI	(255 bar)
Maximum Flow .....	5.3 GPM	(20 LPM)
Max Temperature.....	195 °F	(95 °C)
Bearing .....		Ceramic
Nozzle.....		Ceramic
Nozzle Sizes.....		020-055
Spray Angle .....		30°
Inlet.....		1/4" BSP
Kit Series .....		.09805-XX

XX = nozzle/kit size (2.0, 2.5, 3.0, 3.5, 4.0, 4.5, 5.0, 5.5)



### 22700 Series

List Price \$145.95

	U.S.	(Metric)
Maximum Pressure.....	3700 PSI	(255 bar)
Maximum Flow .....	5.3 GPM	(20 LPM)
Max Temperature.....	195 °F	(95 °C)
Bearing .....		Ceramic
Nozzle.....		Ceramic
Nozzle Sizes.....		020-055
Spray Angle .....		25°
Inlet.....		1/4" BSP
Weight .....	1.4 lbs.	(0.64 kg)
Kit .....		.09470-XX

XX = nozzle/kit size (2.0, 3.0, 3.5, 4.0, 4.5, 5.0, 5.5, 6.0, 7.0)



## Hydroexcavating Nozzles

### 23000 Series Slow Rotating

List Price \$169.05+  
\$202.65\*\* \$248.85\*\*\*

	U.S.	(Metric)
Maximum Pressure.....	3600 PSI	(248 bar)
Maximum Flow .....	22 GPM	(83 LPM)
Max Temperature.....	195 °F	(90 °C)
Bearing .....		Ceramic
Nozzle.....		Ceramic
Nozzle Sizes.....		020-060
Spray Angle .....		20°
Inlet.....		1/4" BSP
Weight .....	1.4 lbs.	(0.64 g)
Kit Series .....		.09620-XX

XX = nozzle/kit size (2.0, 2.5, 3.0, 3.5, 4.0, 4.5, 5.0, 5.5, 6.0)

XX = nozzle/kit size (2.0, 2.5, 3.0, 3.5, 4.0, 4.5, 5.0, 5.5, 6.0)

\*Sizes 2.0-6.0

\*\*Size 10.0

\*\*\*Size 30.0



# Sewer Cleaning Nozzles



23820-02-25 (-40 or -60)	List Price \$329.70
23820-02-30 (-40 or -60)	List Price \$346.50
23820-02-35 (-40 or -60)	List Price \$362.25

	U.S.	(Metric)
Maximum Pressure.....	2175 PSI	(150 bar)
Maximum Flow (-40).....	2.9 GPM	(11.0 LPM)
Maximum Flow (-60).....	4.3 GPM	(16.4 LPM)
Max Temperature.....	104 °F	(40 °C)
Bearing .....	Ceramic	
Nozzle.....	Ceramic	
Spray Angle (Forward).....	20°	
Spray Angle (Backward).....	20°	
Inlet.....	1/8" FBSP	

XX = nozzle/kit size (2.5, 3.0, 3.5, 3.8, 4.0, 6.9, 5.5, 9.5)



23820-08 Series	List Price \$659.40
23820-16 Series	List Price \$811.65

	U.S.	(Metric)
Maximum Pressure.....	4350 PSI	(300 bar)
Maximum Flow (23820-08-69).....	18.2 GPM	(69 LPM)
Maximum Flow (23820-08-95).....	25.1 GPM	(95 LPM)
Maximum Flow (23820-08-69).....	18.2 GPM	(69 LPM)
Max Temperature.....	195 °F	(90 °C)
Bearing .....	Ceramic	
Nozzle.....	Ceramic	
Spray Angle (Forward).....	24°	
Spray Angle (Backward).....	40°	
Inlet (-08) .....	1/2" BSP	
Inlet (-16) .....	1" BSP	
Weight (-08).....	0.7 lbs.	(300 g)
Weight (-16).....	1.8 lbs.	(800 g)
Kit Series (-08).....	09780-XX	
Kit Series (-16).....	09827-XX	

XX = nozzle/kit size (2.5, 3.0, 3.5, 3.8, 4.0, 6.9, 5.5, 9.5)



## Turbo Nozzle Filters

Model Number	Description	Weight lbs. (kg)	List Price U. S. (\$)	Order Quantity
22175	1/4" NPT x 1/4" FNPT (50 mesh)	0.16 (0.07)	\$20.30	10
22175-BSP	1/4" NPT x 1/4" FBSP (50 mesh)	0.16 (0.07)	\$20.30	10
22175-08	1/4" NPT x 1/2" FNPT (50 mesh)	0.29 (0.13)	\$35.30	10
22175-4000	1/4" NPT x 1/4" FNPT (50 mesh, SS)	0.40 (0.18)	\$27.55	10

Rated up to 5000 PSI



## Turbo Nozzle Holders

Model Number	Description	Weight lbs. (kg)	List Price U. S. (\$)	Order Quantity
05875	1/4" MNPT	0.35 (0.16)	\$23.50	10
05875-04	2X1/4" MNPT	0.35 (0.16)	\$23.50	10
05875-04-4000	2x1/4" MNPT, Stainless Steel	0.34 (0.15)	\$39.95	10

Rated up to 5000 PSI / up to 30° angle



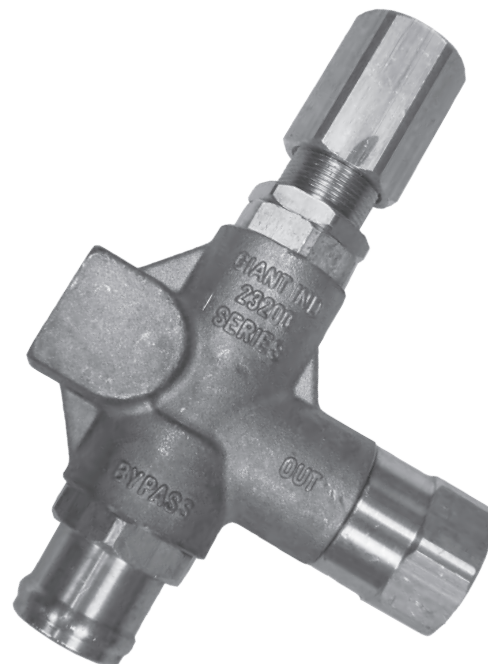
# Pressure Actuated Unloaders



Model Number	Flow GPM (LPM)	Pressure PSI (bar)	Temp °F (°C)	Discharge FNPT in.	Inlet FNPT in.	Bypass in.	Weight lbs.	List Price U.S \$	Order Qty
23275	6.6 (24)	2000 (140)	194 (90)	3/8	1/2	Internal	2.0	\$126.00	2
23285	6.6 (24)	2000 (140)	194 (90)	3/8	1/2	Internal	2.0	\$126.00	2
23295	6.6 (24)	2000 (140)	194 (90)	3/8	3/8	3/8 FNPT	1.8	\$126.00	10
23270	6.6 (24)	4000 (276)	194 (90)	3/8	1/2	Internal	2.0	\$126.00	2
23270-01	6.6 (24)	4000 (276)	194 (90)	3/8	1/2	Internal	2.0	\$131.95	2
23280	6.6 (24)	4000 (276)	194 (90)	3/8	1/2	Internal	2.0	\$126.00	2
23280-01	6.6 (24)	4000 (276)	194 (90)	3/8	1/2	Internal	2.0	\$131.95	2
23290	6.6 (24)	4000 (276)	194 (90)	3/8	3/8	3/8 FNPT	1.8	\$126.00	10
23290-01	6.6 (24)	4000 (276)	194 (90)	3/8	3/8	3/8 FNPT	1.8	\$131.95	10
23270/23280 with fixed injector								\$130.60	2
23270/23280 with adjustable injector								\$132.70	2



23270/23280  
23275/23285  
(Banjo Mount)



23290/23295

# Pressure Actuated Unloaders



Model Number	Flow GPM (LPM)	Pressure PSI (bar)	Temp °F (°C)	Discharge FNPT in.	Inlet FNPT in.	Bypass in.	Weight lbs.	List Price U.S \$
22765A	5 (19)	4000 (276)	160 (70)	3/8	3/8	1/4 BSP	2.1	\$188.80
22765APM	5 (19)	4000 (276)	160 (70)	3/8	3/8	1/4 BSP	2.1	\$304.50
22765A-SS	5 (19)	4000 (276)	160 (70)	3/8	3/8	1/4 BSP	2.1	\$231.55
22760A	8 (30)	145-3050 (10-210)	160 (70)	3/8	3/8	1/4 BSP	2.1	\$135.05
22760L	8 (30)	600 (40)	160 (70)	3/8	3/8	1/4 BSP	2.1	\$135.05
22760APM	8 (30)	3000 (207)	160 (70)	3/8	3/8	1/4 BSP	2.1	\$157.10
22760A-SS	8 (30)	3000 (207)	160 (70)	3/8	3/8	1/4 BSP	2.1	\$150.50
22760-01	8 (30)	145-3050 (10-210)	195 (91)	3/8	3/8	1/4 BSP	2.1	\$191.10
22760-03	8 (30)	600 (40)	160 (70)	3/8	3/8	1/4 BSP	2.1	\$191.10
22240	10 (40)	150-2000 (10-140)	160 (70)	3/8	1/2 FNPT	Internal	1.4	\$112.14
25151	10.5 (40)	1800 (124)	195 (90)	3/8*	3/8*	3/8	1.5	\$96.95
25150	10.5 (40)	4100 (283)	195 (90)	3/8*	3/8*	3/8	1.5	\$96.95
22085	10.5 (40)	5100/5655 (350/390)	140 (60)	3/8	3/8 MNPT	1/2 BSP	10.8	\$274.15
22910A <sup>+</sup>	13 (49)	800 (55)	160 (70)	1/2	1/2	1/2	2.8	\$223.25
22911A <sup>+</sup>	13 (49)	1400 (100)	160 (70)	1/2	1/2	1/2	2.8	\$223.25
22912A <sup>+</sup>	13 (49)	2400 (165)	160 (70)	1/2	1/2	1/2	2.8	\$223.25
22913A <sup>+</sup>	13 (49)	3000 (207)	160 (70)	1/2	1/2	1/2	2.8	\$223.25
22230	15.9 (60)	11600 (800)	195 (90)	1/2	1/2	1/2	5.5	\$1,415.00
22950(H)	16 (61)	5800 (400)	160 (71)	1 FNPT	1 FNPT	1	17.5	\$2,305.00
22083**	21 (80)	2200 (152)	195 (90)	1/2	1/2	1/2	6.7	\$231.00
22082**	21 (80)	4100 (283)	195 (90)	1/2	1/2	1/2	6.7	\$231.00
22082-SS**	21 (80)	4100 (283)	195 (90)	1/2	1/2	1/2	6.7 (3.0)	\$242.30
22083-SS**	21 (80)	2200 (152)	195 (90)	1/2	1/2	1/2	6.7 (3.0)	\$242.29
22210	21.1 (80)	5800 (400)	158 (70)	1/2	1/2	1/2	2.2	\$825.00
22215	21.1 (80)	7250 (500)	158 (70)	1/2	1/2	1/2	2.2	\$940.00
22980	26 (98)	8700 (500)	160 (71)	1/2	3/4	1/2	15.4	\$1,870.00
22973C	26.4 (100)	4060 (280)	160 (71)	3/4	3/4	3/4 BSP	6.7	\$630.00
22949(H)	32 (121)	3200 (221)	160 (71)	1 FNPT	1 FNPT	1	17.5	\$2,305.00
22974C	35.7 (135)	580 (40)	160 (71)	3/4	3/4	3/4 BSP	6.7	\$630.00
22971C	35.7 (135)	1740 (120)	160 (71)	3/4	3/4	3/4 BSP	6.7	\$630.00
22971CH	35.7 (135)	1740 (120)	160 (71)	3/4	3/4	3/4 BSP	6.7	\$725.00
22985	52.8 (200)	3000 (200)	160 (71)	1	1	3/4	15.4	\$1,870.00
22982	52.8 (200)	3000 (200)	190 (88)	1	1	3/4	15.4	\$1,870.00
22091	53 (200)	1015 (70)	195 (90)	1	1	1	4.4	\$609.00
22090	53 (200)	2200 (152)	195 (90)	1	1	1	4.4	\$666.80
22947(H)	60 (227)	1160 (80)	160 (71)	1 FNPT	1 FNPT	1	17.5	\$2,305.00
22948(H)	60 (227)	1600 (110)	160 (71)	1 FNPT	1 FNPT	1	17.5	\$2,305.00
22983	66 (250)	800 (55)	190 (88)	1	1	3/4	15.4	\$1,870.00
22981	66 (250)	2200 (152)	190 (88)	1	1	3/4	15.4	\$1,870.00
22984	79.3 (300)	3000 (200)	160 (71)	1	1	3/4	15.4	\$1,869.00
22109	120 (450)	4350 (300)	140 (60)	1-1/4 FNPT	1-1/4 FNPT	1-1/2 FNPT	13.3	\$2,375.00

-(H) with handwheel \$241.45

\*(-01) with Viton seals \$248.05

\*\*22083/22082 can be purchased with a Handwheel - Add an H to the part number and \$26.25 to the list price.

# Pressure Actuated Unloaders



22760 (APM)  
22765 (APM)



25150/25151



22085



22910A = Silver Springs  
22911A = Yellow Springs  
22912A = Red Springs  
22913A = Orange Springs



22230



22082/22083



22210



22971C  
22973C  
22974C



22985



22090/22091



22947 = Silver Springs  
22948 = Yellow Springs  
22949 = Red Springs  
22950 = Orange Springs



22981/22980



22109



# Pressure Actuated Unloaders

## Stainless Steel Versions

Model Number	Flow GPM (LPM)	Pressure PSI (bar) Rated/Permissible	Temp °F (°C)	Discharge FNPT in.	Inlet FNPT in.	Bypass in.	Weight lbs.	List Price U.S \$
22097-4000 <sup>A</sup>	21 (80)	2175/2465(150/170)	195 (90)	1/2	1/2	1/2	2.9 (1.3)	\$909.75
22097-5000 <sup>B</sup>	21 (80)	2200/2450(150/170)	195 (90)	1/2	1/2	1/2	2.6 (1.2)	\$1,725.00
22095-4000 <sup>A</sup>	21 (80)	5800/6500(400/450)	195 (90)	1/2	1/2	1/2	2.9 (1.3)	\$909.75
22095-5000 <sup>B</sup>	21 (80)	4050/4520(283/310)	195 (90)	1/2 BSP	1/2 BSP	1/2 BSP	2.6 (1.2)	\$1,725.00
22106-51	21 (80)	4060/4500(280/310)	195 (90)	1/2 BSP	1/2 BSP	1/2 BSP	6.7 (3.0)	\$1,395.00
22980-30*	26 (98)	7200 (496)	190 (88)	1/2 NPT	3/4 NPT	1/2 NPT	15.4 (7.0)	\$6,230.00
22973C-40*	26.4 (100)	4060 (280)	160 (71)	3/4 BSP	3/4 BSP	3/4 BSP	6.7 (3.0)	\$2,770.00
22973C-50*	26.4 (100)	4060 (280)	160 (71)	3/4 BSP	3/4 BSP	3/4 BSP	6.7 (3.0)	\$6,320.00
22971C-40*	35.7 (135)	1740 (120)	160 (71)	3/4 BSP	3/4 BSP	3/4 BSP	6.7 (3.0)	\$2,770.00
22971C-50*	35.7 (135)	1740 (120)	160 (71)	3/4 BSP	3/4 BSP	3/4 BSP	6.7 (3.0)	\$6,320.00
22981-40*	66 (250)	2200 (152)	190 (88)	1	1	3/4	15.4 (7.0)	\$6,090.00

A = 303 Stainless Steel    B = 316 Stainless Steel

- \* -SS = Stainless Steel
- 01 = Unloader with Viton Seals
- 40 = Unloader with 303 S.S.
- 50 = Unloader with 316 S.S.



22106-51



22971C-40  
22971C-50  
22973C-40  
22973C-50



22095-4000  
22095-5000  
22097-4000  
22097-5000



22981-40

## Pneumatic Versions

Model Number	Flow GPM (LPM)	Pressure PSI (bar)	Temp °F (°C)	Discharge FNPT in.	Inlet FNPT in.	Bypass in.	Weight lbs.	List Price U.S \$
<i>22980P</i>	26.4 (100)	7250 (500)	158 (70)	1/2	3/4	1/2	22.0 (10)	\$3,615.00
<i>22973CP</i>	35.7 (135)	4060 (280)	160 (71)	3/4	3/4	3/4 BSP	8.0 (3.6)	\$2,615.00
<i>22971CP</i>	35.7 (135)	1740 (120)	160 (71)	3/4	3/4	3/4 BSP	8.0 (3.6)	\$2,614.50
22090P	53 (200)	2200 (152)	195 (90)	1	1	1	8.8 (4.0)	\$1,417.50
<i>22981P</i>	66 (250)	2175 (150)	158 (70)	1	1	3/4	22.0 (10)	\$3,615.00
<i>22982P</i>	66 (250)	2610 (180)	158 (70)	1	1	3/4	15.4 (7.0)	\$3,615.00
<i>22984P</i>	79.3 (300)	3000 (200)	160 (71)	1	1	3/4	15.4 (7.0)	\$3,615.25
<i>22860P</i>	106 (400)	2320 (160)	104 (40)	1-1/4	1-1/4	1-1/4	17.6 (8)	\$3,517.50



22980P/22861P



22973CP



22090P



22860P

# Pressure Actuated Regulators



Model Number	Flow GPM (LPM)	Pressure PSI (bar)	Temp °F (°C)	Inlet FNPT in.	Bypass in.	Weight lbs.	List Price U.S \$
22760AR	8 (30)	3045 (210)	160 (71)	3/8	1/4	2.1 (1.0)	\$135.00
22760LR	8 (30)	580 (40)	160 (71)	3/8	1/4	2.1 (1.0)	\$135.00
21906	10 (40)	150 (10)	160 (71)	3/8	3/8 FNPT	0.8 (0.4)	\$57.75
21906F	10 (40)	150 (10)	160 (71)	3/8	3/8 FNPT	0.8 (0.4)	\$60.40
21908	10 (40)	150 (10)	160 (71)	3/8	3/8 FNPT	0.8 (0.4)	\$57.75
21905	10 (40)	2000 (140)	160 (71)	3/8	3/8 FNPT	0.8 (0.4)	\$57.75
21905F	10 (40)	2000 (140)	160 (71)	3/8	3/8 FNPT	0.8 (0.4)	\$60.40
25165	10.5 (40)	1500 (100)	194 (90)	3/8**	1/4**	1.3 (0.6)	\$96.60
25160	10.5 (40)	4100 (283)	194 (90)	3/8**	1/4**	1.3 (0.6)	\$96.95
22235	10.6 (40)	4500 (310)	195 (90)	3/8	3/8	0.8 (0.4)	\$97.90
22910AR	13 (49)	800 (55)	160 (71)	1/2	1/2	2.8 (1.3)	\$223.25
22911AR	13 (49)	1400 (97)	160 (71)	1/2	1/2	2.8 (1.3)	\$223.25
22912AR	13 (49)	2400 (165)	160 (71)	1/2	1/2	2.8 (1.3)	\$223.25
22913AR	13 (49)	3000 (207)	160 (71)	1/2	1/2	2.8 (1.3)	\$223.25
22950R	16.0 (61)	5800 (400)	160 (71)	1	1/2 FNPT	17.5 (8.0)	\$2,305.00
22980R	26 (98)	8700 (600)	160 (71)	3/4+	1/2	15.4 (7.0)	\$1,870.00
22980R-30	26 (98)	10,000 (690)	190 (88)	3/4+	1/2	15.4 (7.0)	\$6,230.00
22973CR	26.4 (100)	4060 (280)	160 (71)	3/4	3/4	6.7 (3.0)	\$630.00
22973CR-40	26.4 (100)	4060 (280)	160 (71)	3/4+	3/4	6.7 (3.0)	\$2,770.00
22973CRH	26.4 (100)	4060 (280)	160 (71)	3/4	3/4	4.6 (2.1)	\$725.00
22949R	32 (120)	3200 (220)	160 (71)	1	1	17.5 (8.0)	\$2,305.00
22974R	35.7 (135)	580 (40)	160 (71)	3/4	3/4	6.7 (3.0)	\$630.00
22971CR	35.7 (135)	1740 (120)	160 (71)	3/4	3/4	6.7 (3.0)	\$628.15
22971CR-40	35.7 (135)	1740 (120)	160 (71)	3/4+	3/4	6.7 (3.0)	\$2,770.00
22982R	52.8 (200)	3000 (200)	190 (88)	1+	3/4	15.4 (7.0)	\$1,870.00
22090R	53 (200)	2200 (152)	195 (90)	1	1 FNPT	4.6 (2.1)	\$666.80
22105	53 (200)	2600 (180)	194 (90)	3/4	1/2 FNPT	1.8 (0.8)	\$299.50
22948R	60 (227)	1600 (110)	160 (71)	1	1	17.5 (8.0)	\$2,305.00
22191-D	66 (250)	4060 (280)	140 (60)	1**	1 MBSP	4.1 (1.9)	\$1,770.00
22981R	66 (250)	2200 (152)	190 (88)	1+	3/4	15.4 (7.0)	\$1,870.00
22981R-30	66 (250)	2200 (152)	190 (88)	1	3/4	15.4 (7.0)	\$6,230.00
22109R	120 (450)	4800 (330)	194 (90)	1-1/4**	1-1/2	13.3 (6.0)	\$2,375.00

\*\*FBSP (not FNPT) \*BSPP (not FNPT)



22760AR/  
22760LR



Lot  
Size  
10

21905/  
21906/  
21908



Lot  
Size  
10

21905F/  
21908F



25165



22235



22910AR = Silver Springs  
22911AR = Yellow Springs  
22912AR = Red Springs  
22913AR = Orange Springs



22950R



22980R-30



22973CR



22105



22191

# Pressure Actuated Regulators



## Stainless Steel Versions

Model Number	Flow GPM (LPM)	Pressure PSI (bar)	Temp °F (°C)	Inlet FNPT in.	Bypass in.	Weight lbs.	List Price U.S \$
22107-51	5.3 (20)	1813 (125)	194 (90)	1/4 <sup>+</sup>	1/4	7.6 (3.4)	\$273.00
22098-4000	21 (79)	2200 (152)	194 (90)	1/2	1/2 FNPT	2.8 (1.3)	\$909.75
22096-4000	21 (79)	5800 (400)	194 (90)	1/2	1/2 FNPT	2.8 (1.3)	\$909.75
22098-5000	21 (79)	2200 (152)	194 (90)	1/2	1/2 FNPT	2.8 (1.3)	\$1,725.00
22096-5000	21 (79)	4000 (275)	194 (90)	1/2	1/2 FNPT	2.8 (1.3)	\$1,725.00
22973CR-40	26.4 (100)	4060 (280)	160 (70)	3/4 <sup>+</sup>	3/4" BSP	11.0 (5.0)	\$2,770.00
22973CR-50	26.4 (100)	4060 (280)	160 (70)	3/4 <sup>+</sup>	3/4" BSP	11.0 (5.0)	\$6,320.00
22971CR-40	35.7 (135)	1740 (120)	160 (70)	3/4 <sup>+</sup>	3/4" BSP	11.0 (5.0)	\$2,770.00
22971CR-50	35.7 (135)	1740 (120)	160 (70)	3/4 <sup>+</sup>	3/4" BSP	11.0 (5.0)	\$6,320.00

\*BSPP (not FNPT)



22107-51



22098-4000/  
22096-4000/  
22098-5000/  
22096-5000



22971CR-40  
22971CR-50  
22973CR-40  
22973CR-50



Model Number	Flow GPM (LPM)	Pressure PSI (bar)	Temp °F (°C)	Inlet Fitting	Discharge Fitting	Weight lbs (kg)	List Price U.S \$
22648	1.5-4.0 (5.7-15)	0-3000 (0-207)	160 (70)	3/4" FNPT	3/4" FNPT	2 (0.9)	\$186.90
22648A	1.5-4.0 (5.7-15)	0-3000 (0-207)	160 (70)	3/4" FNPT	3/4" FNPT	2 (0.9)	\$220.50
22650	3.0-4.5 (12-17)	0-3000 (0-207)	160 (70)	3/4" FNPT	3/4" FNPT	2 (0.9)	\$186.90
22650A	3.0-4.5 (12-17)	0-3000 (0-207)	160 (70)	3/4" FNPT	3/4" FNPT	2 (0.9)	\$220.50
22655	3.0-5.5 (12-21)	0-3000 (0-207)	160 (70)	3/4" FNPT	3/4" FNPT	2 (0.9)	\$186.90
22654A	3.5-4.8 (13-18)	3000-4000 (207-276)	160 (70)	3/4" FNPT	3/4" FNPT	2 (0.9)	\$220.50
22656	4.5-6.5 (17-25)	0-3000 (0-207)	160 (70)	3/4" FNPT	3/4" FNPT	2 (0.9)	\$186.90
22647	5.5-6.5 (21-25)	0-3000 (0-207)	160 (70)	3/4" FNPT	3/4" FNPT	2 (0.9)	\$186.90



22600 Series



## Industrial Flow Actuated Unloaders

Model Number	Flow GPM (LPM)	Pressure PSI (bar)	Temp °F (°C)	Inlet Fitting	Discharge Fitting	Bypass Fitting	Weight lbs.	List Price U.S \$
22665	13 (49)	7250 (500)	140 (60)	1/2 FNPT	1/2 FNPT	1/2 FNPT	9 (4.1)	\$2,760.00
<i>22675-M24</i>	13 (49)	15,000 (1034)	140 (60)	M24 x 1.5	M24 x 1.5	1/2 MNPT	9.7 (4.4)	\$4,130.00
<i>22675-F26</i>	13 (49)	15,000 (1034)	140 (60)	F26 x 1.5	F26 x 1.5	1/2 MNPT	9.7 (4.4)	\$4,130.00
<i>22675-08-08</i>	13 (49)	15,000 (1034)	140 (60)	1/2 MNPT	1/2 MNPT	1/2 MNPT	9.7 (4.4)	\$4,130.00

22665



22675 Series



# Accumulators



Model Number	Body/Bladder Construction	Pressure (PSI)	Gas Volume	Inlet Fitting (MNPT)	Weight lbs.	List Price U.S \$	Lot Size
22050	303 S.S./Buna-N	3000	5.6 in <sup>3</sup>	3/8" FNPT	3.6 (1.4)	\$193.10	1
22050-5100	316 S.S./Buna-N	3000	5.6 in <sup>3</sup>	3/8" FNPT	3.6 (1.4)	\$310.55	1
22050A	316 S.S./Buna-N	2700	6.75 in <sup>3</sup>	1/2"	5.2 (2.4)	\$208.01	1
22050A-0033	316 S.S./Buna-N	2700	6.75 in <sup>3</sup>	1/2"	5.2 (2.4)	\$209.10	1
22050A-5100	316 S.S./Buna-N	2700	6.75 in <sup>3</sup>	1/2"	5.2 (2.4)	\$236.25	1
22155A	316 S.S./Buna-N	2700	9.1 in <sup>3</sup>	3/4"	4.6 (2.1)	\$283.50	1
22155A-5100	316 S.S./Buna-N	2700	9.1 in <sup>3</sup>	3/4"	4.6 (2.1)	\$311.75	1
22155	303 S.S./Buna-N	2700	9.1 in <sup>3</sup>	3/4" FNPT	4.6 (2.1)	\$287.70	1
22155-5100	303 S.S./Buna-N	2700	9.1 in <sup>3</sup>	3/8" FNPT	4.6 (2.1)	\$437.75	1
22188	Chrome-Moly Steel/Buna-N	5000	1 qt	3/4" FNPT	9.5 (4.3)	\$1,606.50	1
22189	Chrome-Moly Steel/Buna-N	3000	1 qt	3/4" FNPT	9.5 (4.3)	\$1,480.50	1
22156	Chrome-Moly Steel/Buna-N	3000	214 in <sup>3</sup>	1-1/4" FNPT	32 (14.5)	\$2,913.75	1
22156-0100	Marine Epoxy/SS/Buna-N	3000	214 in <sup>3</sup>	1-1/4" FNPT	32 (14.5)	\$2,913.75	1
22156-7000	Nickel-Plated/SS/Buna-N	3000	214 in <sup>3</sup>	1-1/4" FNPT	32 (14.5)	\$2,913.75	1
22156-0103	Marine Epoxy/SS/EPR	3000	214 in <sup>3</sup>	1"	32 (14.5)	\$2,913.75	1
22152-0100	Marine Epoxy/SS/Nitrile	3000	1106 in <sup>3</sup>	2" FNPT	76 (34.5)	\$4,924.50	1
22149	Forged Steel/Nitrile	3000	32.8 in <sup>3</sup>	3/4" FNPT	33 (15.0)	\$3,249.75	1
22149-0100	Marine Epoxy/SS/Buna-N	3000	32.8 in <sup>3</sup>	3/4" FNPT	33 (15.0)	\$5,292.00	1
09842 - Accumulator Charging Kit, Complete						\$634.20	
09843 - Accumulator Charging Kit, without Hose assembly						\$268.49	



22050

22155



22050A



22188/  
22189

## Pop-Off Valves/Relief Valves



Model Number	Description	Pressure (PSI)	List Price U.S \$	Lot Size
22530A	3/8", Silver Spring	1200 (83)	\$15.25	10
22530A-5100	3/8", Yellow Spring, 316 S.S.	1200 (83)	\$55.20	10
22550A	1/4", Silver Spring	1200 (83)	\$15.25	10
22531A	3/8", Red Spring	2400 (165)	\$15.25	10
22531A-5100	3/8", Purple Spring, 316 S.S.	2400 (165)	\$55.20	10
22560A	1/4", Red Spring	2400 (165)	\$15.25	10
22532A	3/8", Orange Spring	3600 (248)	\$15.25	10
22532A-5100	3/8", Black Spring, 316 S.S.	3600 (248)	\$55.20	10
22565A	1/4", Orange Spring	3600 (248)	\$15.25	10
22533A	3/8", Blue Spring	5000 (345)	\$15.25	10
22533A-5100	3/8", Green Spring, 316 S.S.	5000 (345)	\$55.20	10
22568	1/4", Blue Spring	5000 (345)	\$15.25	10
22533B	1/4" MNPT, Blue Spring	6000 (414)	\$15.25	10



22530  
SERIES

Flow: 10 GPM (40 LPM), Temp: 195 °F (90 °C), Weight: 0.3 lbs. (0.14 kg)

## Industrial Pressure Relief Valves

Model Number	Description	Flow GPM (LPM)	Pressure PSI (bar)	Temp. °F (°C)	List Price U.S \$
23140	Heavy Duty Valve	13 (49)	15,000 (1034)	104 (40)	\$1,590.75



23140

## Filter/Strainer

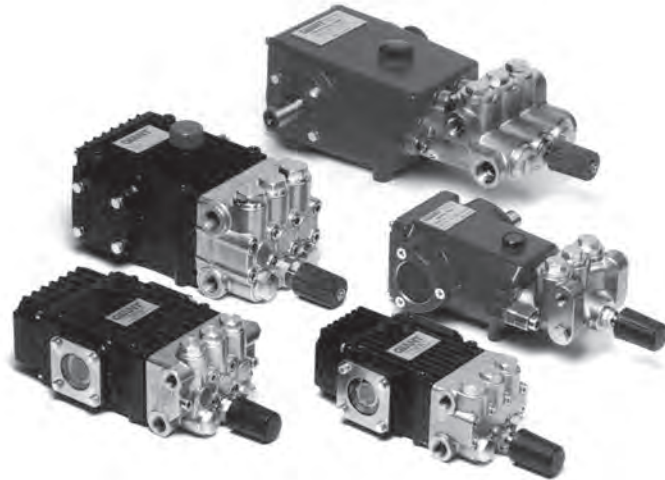
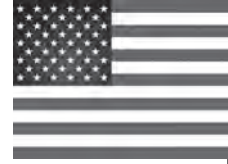
Model Number	Description	List Price U.S \$
22145C	Inlet Filter, 1/2" FBSP, 300 micron	\$27.51
04755	Y-Strainer, 3/4", Bronze	\$105.00
03313	Y-Strainer, 1-1/4", 60 mesh	\$375.15



22145C



03313/  
04755



Model Number	Pulsator Valve For:	List Price U.S \$
08199	P200	\$57.75
22733	MP4130	\$157.50
<i>22734</i>	MP4120/MP4124	\$157.50
<i>22734SB</i>	MP4120/MP4124 w/solenoid	\$420.00
<i>22734SB-DC</i>	MP4120/MP4124 w/solenoid & deutsch connector	\$420.00
22735	P420/P422	\$157.50
<i>22735SB</i>	P420/P422/P423/P425	\$378.00
22736	P316/P317/P319	\$57.75
<i>22737</i>	LP301A/LP600	\$157.50
<i>22737S</i>	LP301A w/solenoid	\$420.00
<i>22737SB</i>	LP301A w/solenoid valve and cover	\$420.00
<i>22737SB-DC</i>	LP301A w/solenoid & deutsch connector	\$440.20
22738	P54/P58/P59	\$64.95
22739	P321/P314	\$57.75
22740	LP350/LP400/LP450	\$157.50
<i>22741</i>	LP123	\$157.50
<i>22741SB</i>	LP123 w/solenoid	\$378.00
<i>22742</i>	GP5128/GP5132/GP5142/GP5145	\$259.90
<i>22742SB</i>	GP5128/GP5132/GP5142/GP5145 w/solenoid & cover	\$378.00
22743	P435B/P455B	\$118.15
22744	P420/P422/P423-HP	\$157.50
<i>22745</i>	LP305	\$157.50
<i>22746</i>	GP7100/GP7600 High Flow	\$259.90
<i>22746SB</i>	GP7100/GP7600 High Flow	\$378.00
<i>22747</i>	SP100W	\$157.50

## Electric Clutch

Model Number	Electric Clutch For:	List Price U.S \$
23910	P200 & P300	\$720.00
23920	P54, P55, P56, P58, P59 Pumps	\$719.60
23930	P46 Pumps	\$719.60
23940	P400 Series Pumps	\$990.60
23960	MP Series Pumps	\$945.00
23970	P57 Pump	\$719.55



## Pump Oil

Model Number	Description	List Price U.S \$
01153	Giant Oil, 20W-50 (1 Quart)	\$21.00
01154	Industrial Gear Oil, 80W-90 (1 Gallon)	\$70.40
01157	Food Grade for CO2 (1 Quart)	\$92.95
01157-2.5	Food Grade for CO2 (2.5 Gallon)	\$671.55
01158	Gear Guard 220 (1 Gallon)	\$61.15
01159	Gear Guard 220 (2.5 Gallon)	\$65.65



## Foot Valve

Item	Flow GPM (LPM)	Pressure PSI (bar)	Temp F (C)	Weight lbs. (kg)	List Price U.S \$
21515	10 (38)	5000 (345)	300 (149)	10.3 (4.7)	\$341.25





## Thermal Relief Valves

**Flow: 8 GPM (30 LPM), Pressure: 90 PSI (6.2 bar),  
Temp: 140 °F (60 °C), Weight: 0.3 lbs. (0.14 kg)**



Model Number	Description	List Price U.S \$
23422B	1/2" NPT Thermal Relief Valve	\$9.60
23421B	3/8" NPT Thermal Relief Valve	\$10.00
23420B	1/4" NPT Thermal Relief Valve	\$10.00



## Drain Valves

Model Number	Description	List Price U.S \$
22320	GP8000 Valve Lifters	\$641.15
22321	GP7000 Valve Lifters	\$641.15



## Pressure Switches



**195 °F, IP55, 3 Wire**

Model Number	Inlet Size	Material	Actuation Pressure	Pressure PSI (bar)	Weight lbs. (kg)	List Price U.S \$
25166	1/8" MBSP	Brass	210 PSI	4100 (283)	0.3 (0.14)	\$29.75
25167	1/8" MBSP	Brass	360 PSI	4100 (283)	0.3 (0.14)	\$29.75
25168	1/8" MBSP	Brass	580 PSI	4100 (283)	0.3 (0.14)	\$29.75
25169	1/4" MBSP	Brass	210 PSI	4100 (283)	0.3 (0.14)	\$29.75
25153	1/4" MBSP	Brass	580 PSI	4100 (283)	0.3 (0.14)	\$29.75
25171	3/8" MBSP	Brass	210 PSI	4100 (283)	0.3 (0.14)	\$29.75
25172	3/8" MBSP	Brass	360 PSI	4100 (283)	0.3 (0.14)	\$29.75
25173	3/8" MBSP	Brass	580 PSI	4100 (283)	0.3 (0.14)	\$29.75
23174	1/4" MNPT	S.S.	25 PSI	3650 (248)	0.3 (0.14)	\$68.25
23175A-4000	1/4" MNPT	S.S.	580 PSI	3650 (248)	0.6 (0.27)	\$50.10
23176A-4000	3/8" BSP	S.S.	360 PSI	3650 (248)	0.6 (0.27)	\$50.10
23177-4000	3/8" MBSP	S.S.	580 PSI	8700 (600)	0.6 (0.27)	\$131.25
23178-4000	3/8" MNPT	S.S.	360 PSI	5000 (345)	0.45 (0.2)	\$41.85

## Injectors

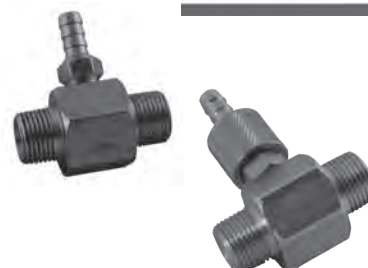
Model Number	Description	Nozzle Size*	Orifice (mm)	List Price U.S \$	Lot Size
25170-1.8	Fixed Injector	9	1.8	\$22.05	10
25170-1.8A	Adjustable Injector	9	1.8	\$30.45	10
25170-2.1	Fixed Injector	12	2.1	\$22.05	10
25170-2.1A	Adjustable Injector	12	2.1	\$30.45	10
25170-2.3	Fixed Injector	15	2.3	\$22.05	10
25170-2.3A	Adjustable Injector	15	2.3	\$30.45	10

Pressure: 4000 PSI (275 bar), Temperature 194 °F (90 °C)

Inlet/outlet: 3/8" MNPT, Weight: 0.3 lbs. (0.14 kg)

\*Minimum nozzle size required for operation

Fixed



Adjustable



## Pressure Gauges

These are Giant Industries' most common sizes of pressure gauges. Additional sizes are available. Contact Giant Industries for more information.

Part Number	Range - PSI (bar)	List Price U.S \$
<b>Brass, 1/4" Lower</b>		
25000-04-100	0-100 (0-7)	\$116.80
25000-04-1000	0-1000 (0-70)	\$116.80
25000-04-2000	0-2000 (0-138)	\$116.80
25000-04-3000	0-3000 (0-206)	\$116.80
25000-04-4000	0-4000 (0-275)	\$116.80
25000-04-5000	0-5000 (0-345)	\$116.80
25000-04-6000	0-6000 (0-415)	\$116.80
<i>25000-04-15000</i>	<i>0-15000 (0-1034)</i>	<i>\$1,328.25</i>
<b>Brass, 1/4" Back</b>		
25000-04B-1000	0-1000 (0-70)	\$123.95
25000-04B-2000	0-2000 (0-138)	\$123.95
25000-04B-3000	0-3000 (0-206)	\$123.95
25000-04B-4000	0-4000 (0-275)	\$123.95
25000-04B-6000	0-6000 (0-415)	\$123.95
<b>Brass, 1/2" Lower</b>		
<i>25000-08-10000</i>	<i>0-10000 (0-690)</i>	<i>\$525.00</i>
<i>25000-08-15000</i>	<i>0-15000 (0-1034)</i>	<i>\$672.00</i>
<i>25000-08-20000</i>	<i>0-20000 (0-1379)</i>	<i>\$761.25</i>
<b>Stainless Steel, 1/4" Lower</b>		
25000-04-1000SS	0-1000 (0-70)	\$218.50
25000-04-3000SS	0-3000 (0-206)	\$218.50
25000-04-5000SS	0-5000 (0-345)	\$218.50



25000-04 Series



25000-04B Series

Other sizes available. Contact Giant Industries for other options.

## L-Jaw Coupler Sets

### For P400 Pumps (28mm Shaft)

Part Number	Size	Bore Diameters	Weight lbs. (kg)	List Price U.S \$
03400-L110-28-1.38	L110	28mm x 1-3/8"	5.95 (2.7)	\$708.75
03400-L110-28-1.58	L110	28mm x 1-5/8"	5.95 (2.7)	\$698.25
03400-L150-28-1.78	L150	28mm x 1-7/8"	7.9 (3.6)	\$876.75
03400-L099-28-1.18	L099	28mm x 1-1/8"	2.25 (1.0)	\$441.00
03400-L110-28-1.18	L110	28mm x 1-1/8"	2.5 (1.1)	\$735.00
03400-L150-28-0.58	L150	28mm x 5/8"	2.8 (1.3)	\$252.11
03400-L110-28-0.58	L110	28mm x 5/8"	2.8 (1.3)	\$360.35



### For P200/P300/P54-P59 Pumps

Part Number	Size	Bore Diameters	Weight lbs. (kg)	List Price U.S \$
03400-L099-24-1	L099	24mm x 1"	2.25 (1.0)	\$435.75
03400-L099-24-1.18	L099	24mm x 1-1/8"	2.25 (1.0)	\$435.75
03400-L100-24-1	L100	24mm x 1"	2.8 (1.3)	\$519.75
03400-L100-24-1.18	L100	24mm x 1-1/8"	2.8 (1.3)	\$519.75
03400-L100-24-1.38	L100	24mm x 1-3/8"	2.8 (1.3)	\$514.50
03400-L099-24-0.58	L099	24mm x 5/8"	2.8 (1.3)	\$435.75
03400-L099-24-0.75	L099	24mm x 3/4"	2.8 (1.3)	\$435.75
03400-L099-24-0.78	L099	24mm x 7/8"	2.8 (1.3)	\$435.75
03400-L099-24-24	L099	24mm x 24mm	2.8 (1.3)	\$435.75

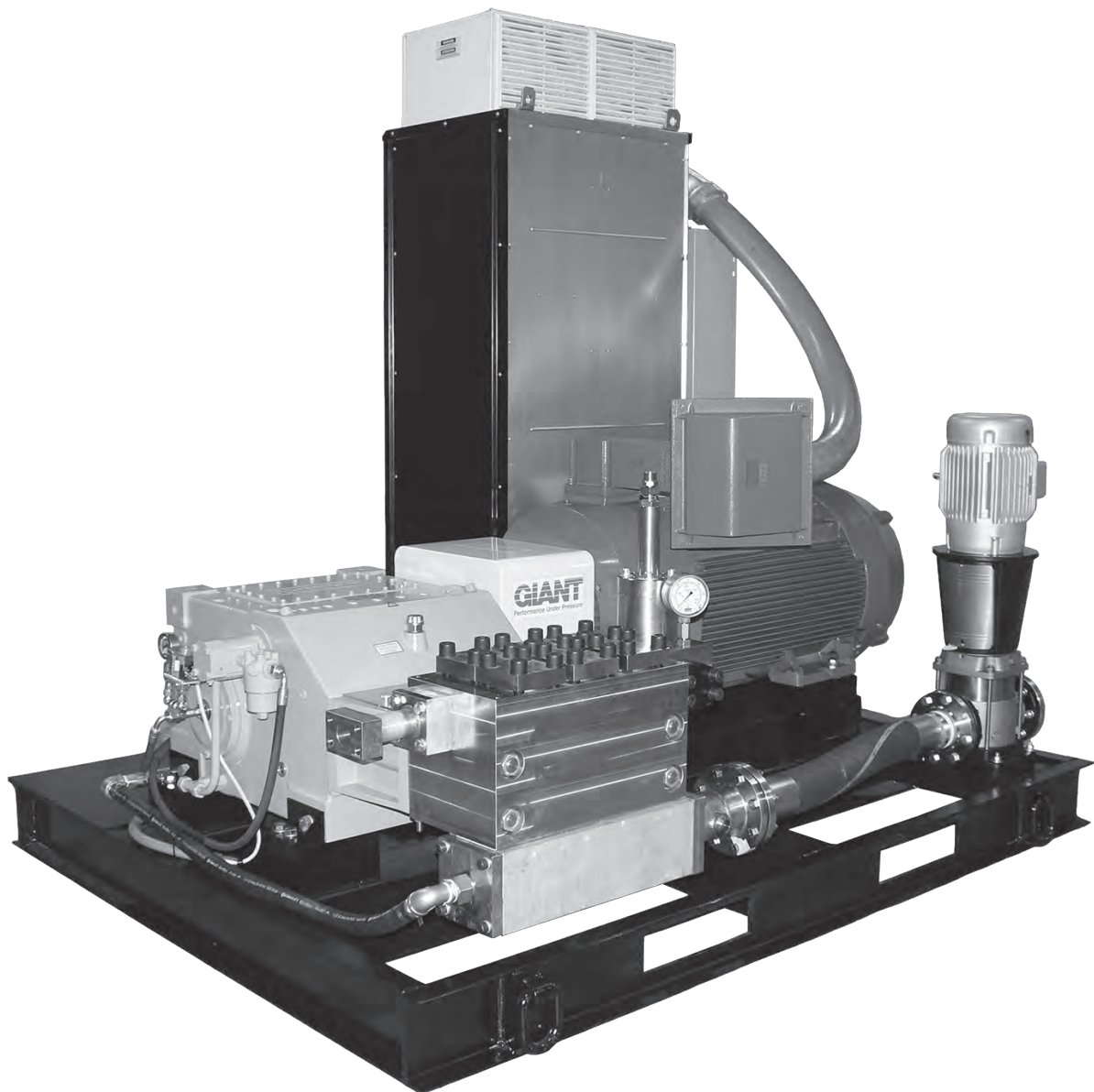


## One-Piece Couplings

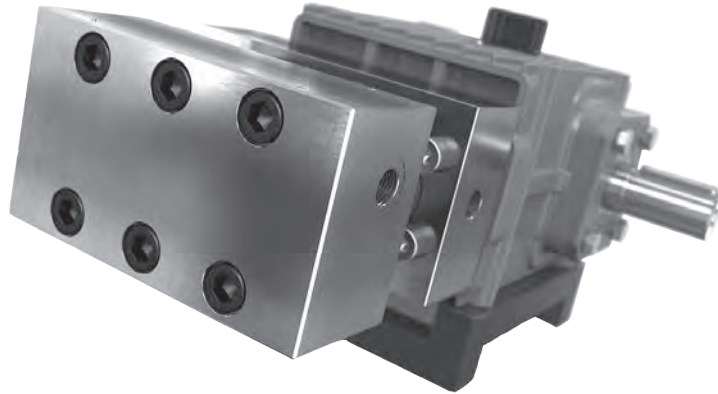
Item	Description	List Price U.S \$
08485P	Delrin Coupling, 1" x 1/4" keyway x 24mm (includes short shaft kit)	\$57.85
08487P	Delrin Coupling, 1-1/8" x 1/4" keyway x 24mm (includes short shaft kit)	\$57.85
08489P	Delrin Coupling, 1-3/8" x 1/4" keyway x 24mm (includes short shaft kit)	\$57.85
08494P	Delrin Coupling, 5/8" x 3/16" keyway x 24mm	\$57.85
08496P	Delrin Coupling, 3/4" x 3/16" keyway x 24mm	\$57.85
06505-XX	Aluminum Couplers 24mm x 5/8" to 1-3/8"	\$25.40
04765-1.3	Aluminum Coupler, 18mm x 1-3/8"	\$60.38
04393-XX	Aluminum Coupler, 24mm x 1-1/8" to 1-5/8"	\$60.40
04555-XX	Aluminum Coupler, 28mm x 1-1/8" to 1-5/8"	\$60.40

## Kamat Units

Giant's rugged Industrial Power Packs have been designed to provide you with the durability you require. Your return on investment comes with each use. Built to your specifications the Industrial Power Pack provides liquid power for every application. Gasoline, diesel, natural gas and hydraulic drives are available. With a flow range of 1.8 to 1000 GPM and up to 50,000 PSI there are a variety of options available to you.



Kamat Pumps



- ◆ Flow rate based on 100% volumetric efficiency and 68 °F (20 °C) ambient temperature
- ◆ Gear end with splash Lubrication
- ◆ Load-cycle-free pump head in stainless steel
- ◆ Tungsten carbide plungers
- ◆ Parts in contact with fluid stainless steel
- ◆ Horizontal installation
- ◆ Weight: 55 lbs. (25 kg)

**K 100 A Performance Data**

Type	Plunger Diameter	Pump Speed	Flow		Power Required at		Power Required at		Power Required at	
					14,500 PSI	1000 bar	21,750 PSI	1500 bar	29,000 PSI	2000 bar
	mm	RPM	GPM	l/min	hp	kW	hp	kW	hp	kW
108	8.5 mm	min. 500	0.53	2	5.16	3.85	7.74	5.77	10.31	7.69
		600	0.63	2.4	6.20	4.62	9.28	6.92	12.38	9.23
		700	0.74	2.8	7.22	5.38	10.84	8.08	14.44	10.77
		800	0.85	3.2	8.25	6.15	12.38	9.23	16.51	12.31
		900	0.95	3.6	9.28	6.92	13.92	10.38	18.57	13.85
		max. 1000	1.06	4	10.31	7.69	15.48	11.54	20.12	15.00

Type	Plunger Diameter	Pump Speed	Flow		Power Required at		Power Required at		
					14,500 PSI	1000 bar	17,400 PSI	1200 bar	
	mm	RPM	GPM	l/min	hp	kW	hp	kW	
111	11 mm	min. 500	0.9	3.4	8.77	6.54	10.53	7.85	X
		600	1.08	4.1	10.57	7.88	12.69	9.46	
		700	1.24	4.7	12.12	9.04	14.55	10.85	
		800	1.43	5.4	13.92	10.38	16.71	12.46	
		900	1.61	6.1	15.73	11.73	18.88	14.08	
		max. 1000	1.8	6.8	17.54	13.08	20.12	15.00	



## Kamat Pumps



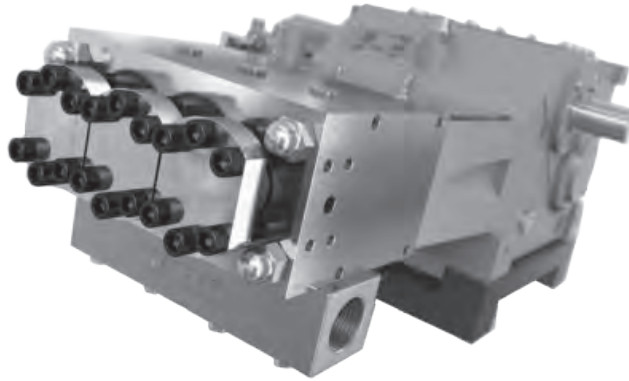
- ◆ Flow rate is based on 100% volumetric efficiency and 68° F (20° C) ambient temperature.
- ◆ Depending on fluid medium, a minimum inlet pressure is required.
- ◆ Speed range: 10-100% (depending on rod force)
- ◆ Gear with splash lubrication.
- ◆ Weight: 430 lbs (195 kg)
- ◆ API 674 specifications available upon request (maximum of 450 RPM).
- ◆ Contact your local distributor or Giant Industries for use with special mediums. i.e. seawater, glycol, methanol, oil, etc.

## K4500-3 Performance Data

Rated Speed 650 RPM			Pressure at specific power inputs								Pump Head Style		
Type	FLOW		30 Hp	22 kW	40 Hp	30 kW	50 Hp	37 kW	60 Hp	45 kW	A	M	M2
	GPM	L/min	PSI	Bar	PSI	Bar	PSI	Bar	PSI	Bar			
4510	2.1	8	22119	1525	30095	2075	37130	2560	43511	3000	1		
4512	2.9	11	15374	1060	20958	1445	25817	1780	30820	2125	1		
4514	4.0	15	11240	775	15374	1060	18928	1305	22625	1560	1		
4516	5.3	20	8630	595	11748	810	14500	1000	17332	1195	1		
4518	6.6	25	6817	470	9283	640	11458	790	13706	945	2	1	
4520	8.2	31	5512	380	7542	520	9282	640	11095	765	2	1	
4522	9.8	37	4569	315	6237	430	7687	530	9138	630	2	1	
4524	11.6	44	3844	265	5221	360	6454	445	7687	530	2	1	
4526	13.7	52	3263	225	4424	305	5511	380	6527	450	2	1	
4528	15.9	60	2828	195	3844	265	4714	325	5657	390	2	1	
4530	18.2	69	2466	170	3335	230	4133	285	4930	340	2		1
4532	20.6	78	2175	150	2973	205	3625	250	4351	300	2		1
4536	26.2	99	1740	120	2320	160	2900	200	3408	235			1
4540	32.2	122	1378	95	1885	130	2320	160	2755	190			1
4545	41.0	155	1088	75	1523	105	1813	125	2175	150			1
4550	50.5	191	870	60	1233	85	1450	100	1740	120			1
4555	61.3	232	725	50	1015	70	1233	85	1450	100			1

■ = Ultra High Pressure

# Kamat Pumps



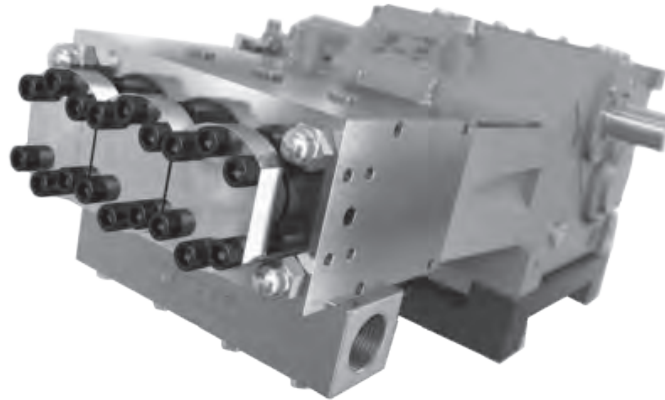
- ◆ Flow rate is based on 100% volumetric efficiency and 68° F (20° C) ambient temperature.
- ◆ Depending on fluid medium, a ,minimum inlet pressure is required.
- ◆ Depending on rod loading, speed range = 10-100%.
- ◆ Gear with splash lubrication.
- ◆ Standard Gear Ratios:  $i = 2.75, 3.22$  and  $3.68$
- ◆ Weight: 551 lbs (250 kg)
- ◆ API 674 specifications available upon request.
- ◆ Contact your local distributor or Giant Industries for use with special mediums. i.e. seawater, glycol, methanol, oil, etc.

## K8000-3G Performance Data

Rated Speed 530 RPM			Pressure at specific power inputs								Pump Head Style		
Type	FLOW		60 Hp	45 kW	74 Hp	55 kW	80 Hp	60 kW	100 Hp	75 kW	A	M	M2
	GPM	L/min	PSI	Bar	PSI	Bar	PSI	Bar	PSI	Bar			
8010	2.4	9	36985	2550	45180	3115	49241	3395	50764	3500	1		
8012	3.4	13	25672	1770	31329	2160	34229	2360	42787	2950	1		
8014	4.8	18	18855	1300	23061	1590	25164	1735	31404	2165	1		
8016	6.3	24	14431	995	17622	1215	19218	1325	24077	1660	1		
8018	7.9	30	11386	785	13924	960	15229	1050	19000	1310	2		
8020	9.8	37	9210	635	11313	780	12328	850	15374	1060	2		
8022	11.9	45	7615	525	9355	645	10153	700	12691	875	2	1	
8024	14.3	54	6382	440	7832	540	8557	590	10660	735	2	1	
8026	16.6	63	5439	375	6672	460	7325	505	9138	630	2	1	
8028	19.3	73	4714	325	5729	395	6309	435	7832	540	2	1	
8030	22.2	84	4134	285	5004	345	5439	375	6817	470	2		1
8032	25.4	96	3626	250	4424	305	4786	330	6019	415	2		1
8036	32.0	121	2828	195	3481	240	3771	260	4786	330			1
8040	39.6	150	2321	160	2828	195	3046	210	3844	265			1
8045	50.2	190	1813	125	2248	155	2466	170	3046	210			1
8050	61.8	234	1450	100	1813	125	1958	135	2466	170			1
8055	74.8	283	1233	85	1523	105	1595	110	2031	140			1

■ = Ultra High Pressure

## Kamat Pumps



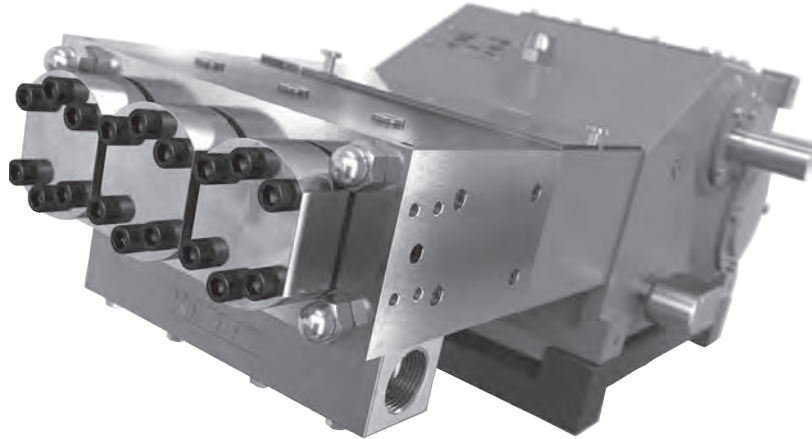
- ◆ Flow rate is based on 100% volumetric efficiency and 68° F (20° C) ambient temperature.
- ◆ Depending on fluid medium, a minimum inlet pressure is required.
- ◆ Depending on rod loading, speed range = 10-100%.
- ◆ Gear with splash lubrication.
- ◆ Standard Gear Ratios:  $i = 2.75, 3.22$  and  $3.68$
- ◆ Weight: 562 lbs (255 kg)
- ◆ API 674 specifications available upon request.
- ◆ Contact your local distributor or Giant Industries for use with special mediums. i.e. seawater, glycol, methanol, oil, etc.
- ◆ Vertical Operation is possible

## K9000-3G Performance Data

Rated Speed 530 RPM			Pressure at specific power inputs								Pump Head Style		
Type	FLOW		61 HP	45 kW	74 Hp	55 kW	100 Hp	75 kW	121 Hp	90 kW	A	M	M2
	GPM	L/min	PSI	Bar	PSI	Bar	PSI	Bar	PSI	Bar			
9012	3.4	13	25672	1770	31329	2160	42787	2950	45543	3140	1		
9014	4.8	18	18855	1300	23061	1590	31401	2165	33432	2305	1		
9016	6.3	24	14431	995	17622	1215	24077	1660	25600	1765	1		
9018	7.9	30	11386	785	13924	960	19000	1310	20233	1395	2		
9020	9.8	37	9210	635	11313	780	15734	1060	16390	1130	2		
9022	11.9	45	7615	525	9355	645	12691	875	13561	935	2	1	
9024	14.3	54	6382	440	7832	540	10660	735	11386	785	2	1	
9026	16.6	63	5439	375	6672	460	9138	630	9718	670	2	1	
9028	19.3	73	4714	325	5729	395	7832	540	8340	575	2	1	
9030	22.2	84	4134	285	5004	345	6817	470	7252	500	2		1
9032	25.4	96	3626	250	4424	305	6019	415	6382	440	2		1
9036	32.0	121	2828	195	3481	240	4786	330	5076	350			1
9040	39.6	150	2321	160	2828	195	3844	265	4134	285			1
9045	50.2	190	1813	125	2248	155	3046	210	3263	225			1
9050	61.8	234	1450	100	1813	125	2466	170	2611	180			1
9055	74.8	283	1233	85	1523	105	2031	140	2176	150			1

■ = Ultra High Pressure

Kamat Pumps



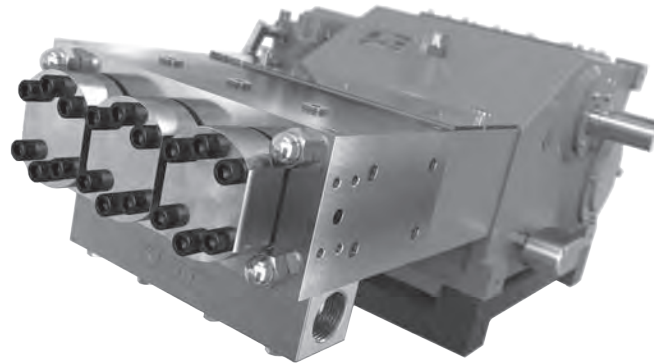
- ◆ Flow rate is based on 100% volumetric efficiency and 68° F (20° C) ambient temperature.
- ◆ Depending on fluid medium, a minimum inlet pressure is required.
- ◆ Depending on rod loading, speed range = 10-100%.
- ◆ Gear dynamically balanced
- ◆ Gear with splash lubrication.
- ◆ Standard Gear Ratios:  $i = 3.00, 3.14, 3.39, 3.76, 4.13, 4.50$  and  $4.93$
- ◆ Weight: 937 lbs. (425 kg)
- ◆ API 674 specifications available upon request.
- ◆ Contact your local distributor or Giant Industries for use with special mediums. i.e. seawater, glycol, methanol, oil, etc.

**K11000-3G Performance Data**

Rated Speed 435 RPM			Pressure at specific power inputs								Pump Head Style		
Type	FLOW		80 Hp	60 kW	101 Hp	75 kW	121 Hp	90 kW	147 Hp	110 kW	A	M	M2
	GPM	L/min	PSI	Bar	PSI	Bar	PSI	Bar	PSI	Bar			
11014	5.6	21	21901	1510	27340	1885	32852	2265	38653	2665	1		
11016	7.4	28	16752	1155	20958	1445	25092	1730	29588	2040	1		
11018	9.3	35	13199	910	16535	1140	19870	1370	23351	1610	1		
11020	11.4	43	10733	740	13416	925	16099	1110	18928	1305	2		
11022	13.7	52	8847	610	11096	765	13271	915	15664	1080	2		
11024	16.4	62	7470	515	9283	640	11168	770	13126	905	2	1	
11026	19.3	73	6309	435	7905	545	9500	655	11241	775	2	1	
11028	22.2	84	5439	375	6817	470	8195	565	9645	665	2	1	
11030	25.6	97	4786	330	5947	410	7179	495	8412	580	2	1	
11032	29.1	110	4206	290	5221	360	6309	435	7397	510	2	1	
11036	36.7	139	3336	230	4134	285	4931	340	5874	405	2		1
11040	45.4	172	2683	185	3336	230	3989	275	4714	325			1
11045	57.6	218	2103	145	2611	180	3191	220	3771	260			1
11050	71.1	269	1740	120	2176	150	2538	175	3046	210			1
11055	85.9	325	1450	100	1740	120	2103	145	2538	175			1
11060	102.2	387	1160	80	1523	105	1813	125	2103	145			1
11065	119.9	454	1015	70	1233	85	1523	105	1813	125			1

■ = Ultra High Pressure

Kamat Pumps



- ◆ Flow rate is based on 100% volumetric efficiency and 68° F (20° C) ambient temperature.
- ◆ Depending on fluid medium, a minimum inlet pressure is required.
- ◆ Depending on rod loading, speed range = 10-100%.
- ◆ Gear dynamically balanced
- ◆ Gear with force-fed lubrication (> 174 HP [130 kW] with oil cooler).
- ◆ Standard Gear Ratios:  $i = 3.00, 3.14, 3.39, 3.76, 4.13, 4.50$  and  $4.93$
- ◆ Weight: 970 lbs. (440 kg)
- ◆ API 674 specifications available upon request.
- ◆ Contact your local distributor or Giant Industries for use with special mediums. i.e. seawater, glycol, methanol, oil, etc.

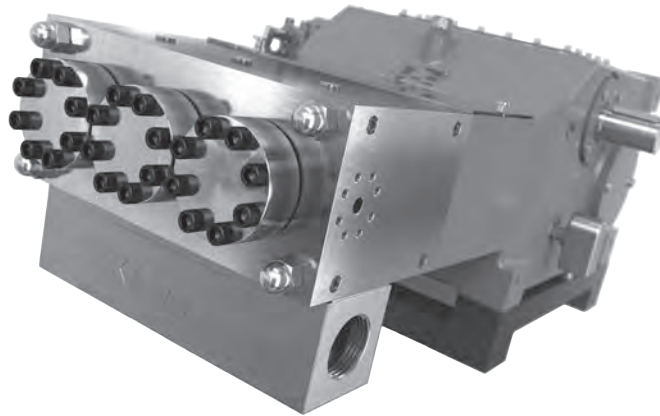
**K18000-3G Performance Data**

Rated Speed 500 RPM			Pressure at specific power inputs								Pump Head Style		
Type	FLOW		147 Hp	110 kW	177 Hp	132 kW	215 Hp	160 kW	241 Hp	180 kW	A	M	M2
	GPM	L/min	PSI	Bar	PSI	Bar	PSI	Bar	PSI	Bar			
18014	6.3	24	34882	2405	41844	2885	50764	3500	--	--	1		
18016	8.5	32	26687	1840	32054	2210	38871	2680	43294	2985	1		
18018	10.6	40	21103	1455	25309	1745	30676	2115	34229	2360	1		
18020	12.9	49	17115	1180	20523	1415	24874	1715	27703	1910	1		
18022	15.9	60	14141	975	16970	1170	20523	1415	22916	1580	2		
18024	18.8	71	11893	820	14214	980	17260	1190	19218	1325	2		
18026	22.2	84	10153	700	12111	835	14722	1015	16390	1130	2		
18028	25.6	97	8702	600	10443	720	12691	875	14141	975	2	1	
18030	29.3	111	7615	525	9138	630	11023	760	12328	850	2	1	
18032	33.6	127	6672	460	8050	555	9718	670	10805	745	2	1	
18036	42.3	160	5294	365	6309	435	7687	530	8557	590	2		1
18040	52.3	198	4279	295	5149	355	6237	430	6962	480			1
18045	66.1	250	3408	235	4061	280	4931	340	5439	375			1
18050	81.6	309	2756	190	3263	225	3989	275	4424	305			1
18055	98.8	374	2248	155	2683	185	3263	225	3699	255			1
18060	117.6	445	1886	130	2248	155	2756	190	3046	210			1
18065	137.9	522	1595	110	1958	135	2321	160	2611	180			1

■ = Ultra High Pressure



Kamat Pumps



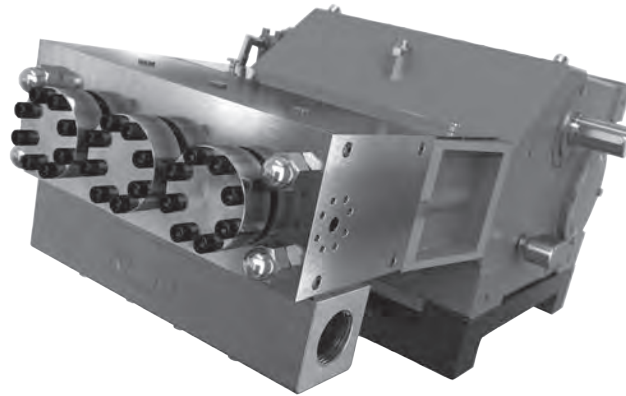
- ◆ Flow rate is based on 100% volumetric efficiency and 68° F (20° C) ambient temperature.
- ◆ Depending on fluid medium, a minimum inlet pressure is required.
- ◆ Depending on rod loading, speed range = 10-100%.
- ◆ Gear dynamically balanced
- ◆ Gear with force-fed lubrication (> 214 HP [160 kW] with oil cooler).
- ◆ Standard Gear Ratios:  $i = 3.33, 3.50, 4.04, 4.62$  and  $5.44$
- ◆ Weight: 2127 lbs (965 kg)
- ◆ API 674 specifications and vertical operation available upon request.
- ◆ Contact your local distributor or Giant Industries for use with special mediums. i.e. seawater, glycol, methanol, oil, etc.

**K25000-3G Performance Data**

Rated Speed 450 RPM			Pressure at specific power inputs								Pump Head Style		
Type	FLOW		177 Hp	132 kW	215 Hp	160 kW	268 Hp	200 kW	335 Hp	250 kW	A	M	M2
	GPM	L/min	PSI	Bar	PSI	Bar	PSI	Bar	PSI	Bar			
25018	10.8	41	24657	1700	29878	2060	37348	2575	46195	3185	1		
25020	13.5	51	19943	1375	24149	1665	30241	2085	37420	2580	1		
25022	16.4	62	16462	1135	20016	1380	24947	1720	30894	2130	1		
25024	19.3	73	13851	955	16825	1160	20958	1445	25962	1790	1		
25026	22.7	86	11821	815	14286	985	17912	1235	22119	1525	2		
25028	26.4	100	10153	700	12328	850	15447	1065	19073	1315	2		
25030	30.1	114	8847	610	10733	740	13416	925	16607	1145	2		
25032	34.3	130	7760	535	9428	650	11821	815	14649	1010	2	1	
25036	43.6	165	6164	425	7470	515	9355	645	11531	795	2	1	
25040	53.6	203	5004	345	6019	415	7542	520	9355	645	2	1	
25045	68.2	258	3916	270	4786	330	5947	410	7397	510	2	1	
25050	84.0	318	3191	220	3844	265	4859	335	6019	415	2	1	
25055	101.7	385	2611	180	3191	220	3989	275	4931	340		1	
25060	121.0	458	2248	155	2683	185	3336	230	4134	285		1	
25065	141.9	537	1886	130	2321	160	2828	195	3553	245		1	1
25070	164.6	623	1595	110	1958	135	2466	170	3046	210			1
25075	188.9	715	1450	100	1740	120	2176	150	2683	185			1
25085	242.8	919	1088	75	1305	90	1668	115	2103	145			1
25095	303.3	1148	870	60	1088	75	1305	90	1668	115			1

■ = Ultra High Pressure

Kamat Pumps



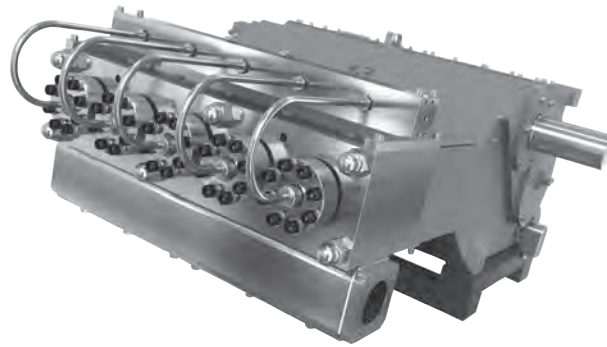
- ◆ Flow rate is based on 100% volumetric efficiency and 68° F (20° C) ambient temperature.
- ◆ Depending on fluid medium, a minimum inlet pressure is required.
- ◆ Depending on rod loading, speed range = 10-100%.
- ◆ Gear dynamically balanced
- ◆ Gear with force-fed lubrication with oil cooler.
- ◆ Standard Gear Ratios:  $i = 3.39, 4.05, 4.76$  and  $5.25$
- ◆ Weight: 2998 lbs (1360 kg)
- ◆ API 674 specifications and vertical operation available upon request.
- ◆ Contact your local distributor or Giant Industries for use with special mediums. i.e. seawater, glycol, methanol, oil, etc.

**K45000-3G Performance Data**

Rated Speed 440 RPM			Pressure at specific power inputs								Pump Head Style		
Type	FLOW		422 Hp	315 kW	469 Hp	350 kW	536 Hp	400 kW	604 Hp	450 kW	A	M	M2
	GPM	L/min	PSI	Bar	PSI	Bar	PSI	Bar	PSI	Bar			
45020	15.3	58	41699	2875	46340	3195	50764	3500	-----	-----	1		
45022	18.5	70	34520	2380	38291	2640	43802	3020	49241	3395	1		
45024	22.2	84	29008	2000	32199	2220	36768	2535	41409	2855	1		
45026	25.9	98	24657	1700	27413	1890	31329	2160	35245	2430	1		
45028	30.1	114	21321	1470	23642	1630	27050	1865	30386	2095	1		
45030	34.6	131	18565	1280	20596	1420	23569	1625	26470	1825	1		
45032	39.4	149	16317	1125	18130	1250	20668	1425	23279	1605	1		
45036	49.7	188	12909	890	14286	985	16390	1130	18420	1270	2		
45040	61.3	232	10443	720	11603	800	13271	915	14939	1030	2	1	
45045	77.7	294	8267	570	9138	630	10443	720	11748	810	2	1	
45050	95.9	363	6672	460	7397	510	8485	585	9573	660		1	
45055	116.0	439	5512	380	6164	425	7034	485	7905	545		1	
45060	137.9	522	4641	320	5149	355	5874	405	6599	455		1	
45065	162.0	613	3916	270	4424	305	5004	345	5657	390		1	
45070	187.8	711	3408	235	3771	260	4351	300	4859	335			1
45075	215.6	816	2973	205	3263	225	3771	260	4206	290			1
45085	276.9	1048	2321	160	2538	175	2901	200	3336	230			1
45095	345.8	1309	1886	130	2031	140	2321	160	2611	180			1

■ = Ultra High Pressure

Kamat Pumps



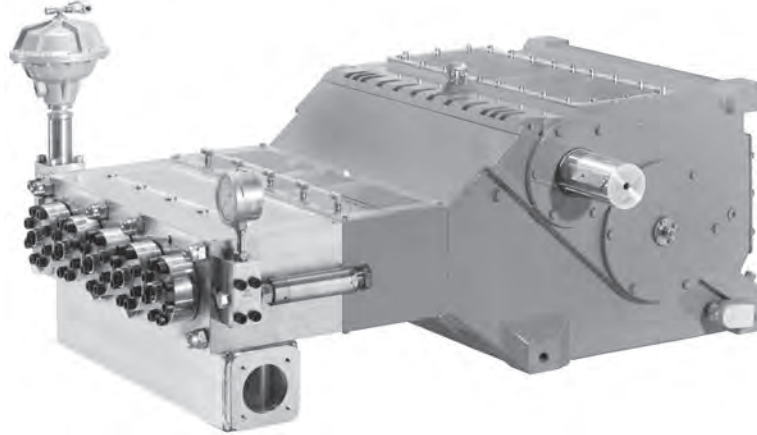
- ◆ Flow rate is based on 100% volumetric efficiency and 68° F (20° C) ambient temperature.
- ◆ Depending on fluid medium, a minimum inlet pressure is required.
- ◆ Depending on rod loading, speed range = 10-100%.
- ◆ Gear dynamically balanced
- ◆ Gear with force-fed lubrication with oil cooler.
- ◆ Standard Gear Ratios:  $i = 3.30, 3.95, 4.66$  and  $5.63$
- ◆ Weight: 4850 lbs (2200 kg)
- ◆ API 674 specifications and vertical operation available upon request.
- ◆ Contact your local distributor or Giant Industries for use with special mediums. i.e. seawater, glycol, methanol, oil, etc.

**K55000-5G Performance Data**

Rated Speed 450 RPM			Pressure at specific power inputs								Pump Head Style		
Type	FLOW		536 Hp	400 kW	604 Hp	450 kW	671 Hp	500 kW	738 Hp	550 kW	A	M	M2
	GPM	L/min	PSI	Bar	Hp	kW	Hp	kW	Hp	kW			
55018	18.2	69	44745	3085	50401	3475	50764	3500	-----	-----	1		
55020	22.5	85	36260	2500	40829	2815	45325	3125	49894	3440	1		
55022	27.2	103	29951	2065	33722	2325	37493	2585	41191	2840	1		
55024	32.2	122	25164	1735	28355	1955	31474	2170	34665	2390	1		
55026	37.8	143	21466	1480	24149	1665	26832	1850	29516	2035	1		
55028	43.9	166	18493	1275	20813	1435	23134	1595	25455	1755	1		
55030	50.5	191	16099	1110	18130	1250	20161	1390	22191	1530	2		
55032	57.3	217	14141	975	15954	1100	17695	1220	19508	1345	2		
55036	72.7	275	11168	770	12618	870	13996	965	15374	1060	2		
55040	89.6	339	9065	625	10225	705	11313	780	12473	860	2	1	
55045	113.3	429	7179	495	8050	555	8920	615	9863	680	2	1	
55050	140.0	530	5802	400	6527	450	7252	500	7977	550	2	1	
55055	169.3	641	4786	330	5366	370	6019	415	6599	455		1	
55060	201.6	763	4061	280	4569	315	5004	345	5512	380		1	
55065	236.4	895	3408	235	3844	265	4279	295	4714	325		1	
55070	274.5	1039	2973	205	3336	230	3699	255	4061	280			1
55075	314.9	1192	2611	180	2901	200	3191	220	3553	245			1
55085	404.5	1531	2031	140	2248	155	2538	175	2756	190			1
55090	453.6	1717	1813	125	2031	140	2248	155	2466	170			1
55095	505.4	1913	1595	110	1813	125	2031	140	2176	150			1

■ = Ultra High Pressure

Kamat Pumps



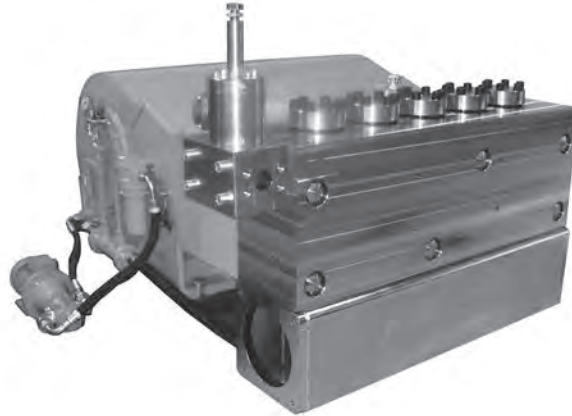
- ◆ Flow rate is based on 100% volumetric efficiency and 68° F (20° C) ambient temperature.
- ◆ Depending on fluid medium, a minimum inlet pressure is required.
- ◆ Depending on rod loading, speed range = 10-100%.
- ◆ Gear dynamically balanced
- ◆ Gear with force-fed lubrication with oil cooler.
- ◆ Standard Gear Ratios:  $i = 3.30, 3.95, 4.66$  and  $5.63$
- ◆ Weight: 8047 lbs (3650 kg)
- ◆ API 674 specifications and vertical operation available upon request.
- ◆ Contact your local distributor or Giant Industries for use with special mediums. i.e. seawater, glycol, methanol, oil, etc.

**K100000-5G Performance Data**

Rated Speed 440 RPM			Pressure at specific power inputs								Pump Head Style		
Type	FLOW		845 Hp	630 kW	952 Hp	710 kW	1073 Hp	800 kW	1341 Hp	1000 kW	A	M	M2
	GPM	L/min	PSI	Bar	PSI	Bar	PSI	Bar	PSI	Bar			
100022	30.9	117	41409	2855	46630	3215	50764	3500	-----	-----	1		
100024	36.7	139	34810	2400	39161	2700	44165	3045	50764	3500	1		
100026	43.1	163	29661	2045	33359	2300	37638	2595	47065	3245	1		
100028	50.2	190	25527	1760	28790	1985	32416	2235	40539	2795	1		
100032	65.5	248	19580	1350	22046	1520	24874	1715	31039	2140	1		
100036	82.7	313	15447	1065	17405	1200	19653	1355	24512	1690	1		
100040	102.2	387	12546	865	14141	975	15882	1095	19870	1370	2		
100045	129.5	490	9863	680	11168	770	12546	865	15737	1085	2		
100050	159.6	604	7977	550	9065	625	10153	700	12691	875	2		
100055	193.1	731	6599	455	7470	515	8412	580	10515	725		1	
100060	229.8	870	5584	385	6237	430	7034	485	8847	610		1	
100065	270.0	1022	4714	325	5366	370	6019	415	7542	520		1	
100070	313.1	1185	4061	280	4641	320	5221	360	6454	445		1	
100075	359.3	1360	3553	245	3989	275	4496	310	5657	390		1	
100080	408.7	1547	3118	215	3553	245	3989	275	5004	345			1
100085	461.5	1747	2756	190	3118	215	3553	245	4424	305			1
100090	517.3	1958	2466	170	2756	190	3118	215	3916	270			1
100095	576.4	2182	2248	155	2466	170	2828	195	3553	245			1
100100	638.8	2418	2031	140	2248	155	2538	175	3191	220			2
100110	773.0	2926	1668	115	1886	130	2103	145	2611	180			2
100120	919.9	3482	1378	95	1595	110	1740	120	2176	150			2

■ = Ultra High Pressure

Kamat Pumps



- ◆ Flow rate is based on 100% volumetric efficiency and 68° F (20° C) ambient temperature.
- ◆ Depending on fluid medium, a minimum inlet pressure is required.
- ◆ Depending on rod loading, speed range = 10-100%.
- ◆ Crankshaft dynamically balanced
- ◆ Gear with external force-fed lubrication with oil cooling.
- ◆ Standard Gear Ratios:  $i = 4.76, 5.72$  and  $6.35$
- ◆ Weight: 16,535 lbs (7500 kg)
- ◆ API 674 specifications and vertical operation available upon request.
- ◆ Contact your local distributor or Giant Industries for use with special mediums. i.e. seawater, glycol, methanol, oil, etc.

**K150000-5G Performance Data**

Rated Speed 320 RPM			Pressure at specific power inputs								Pump Head Style		
Type	FLOW		1006 Hp	750 kW	1341 Hp	1000 kW	1676 Hp	1250 kW	2012 Hp	1500 kW	A	M	M2
	GPM	L/min	PSI	Bar	PSI	Bar	PSI	Bar	PSI	Bar			
150028	49.4	187	30821	2125	41119	2835	50764	3500	-----	-----	1		
150030	56.8	215	26832	1850	35825	2470	44745	3085	50764	3500	1		
150032	64.5	244	23569	1625	31474	2170	39306	2710	46340	3195	1		
150036	81.6	309	18638	1285	24874	1715	31039	2140	36623	2525	1		
150040	100.9	382	15084	1040	20161	1390	25164	1735	29661	2045	1		
150045	127.6	483	11966	825	15882	1095	19870	1370	23424	1615	1		
150050	157.7	597	9645	665	12909	890	16099	1110	19000	1310	2		
150055	190.7	722	7977	550	10660	735	13344	920	15664	1080	2		
150060	226.9	859	6744	465	8920	615	11168	770	13199	910	2	1	
150065	266.3	1008	5729	395	7615	525	9500	655	11241	775	2	1	
150070	308.8	1169	4931	340	6599	455	8195	565	9718	670	2	1	
150075	354.5	1342	4279	295	5729	395	7179	495	8412	580	2	1	
150080	403.4	1527	3771	260	5004	345	6309	435	7397	510			1
150085	455.4	1724	3336	230	4424	305	5584	385	6599	455			1
150090	510.7	1933	2973	205	3989	275	5004	345	5874	405			1
150095	569.0	2154	2683	185	3553	245	4496	310	5294	365			1
150100	630.3	2386	2393	165	3191	220	4061	280	4714	325			2
150110	762.9	2888	2031	140	2683	185	3336	230	3916	270			2
150120	833.7	3156	1813	125	2466	170	3046	210	3626	250			2
150130	907.7	3436	1668	115	2248	155	2828	195	3263	225			2
150140	1235.5	4677	1233	85	1668	115	2031	140	2393	165			2

■ = Ultra High Pressure



# **Kamat Accessories:**

**-Spray Guns**

**-Unloader Valves**

**-Pressure Regulators**

**-Control Valves**

**-Rotating Nozzles**

**-Safety Valves**

**-Surface Cleaners**

## Kamat Accessories

### KSP500

- KSP 500 with 500 mm spray tube Part no. 7002580
- KSP 500 with 1000 mm spray tube Part no. 7002581

#### Technical Data

	U.S.	Metric
Max. Working Pressure	8700 PSI	600 bar
Maximum Capacity	21.1 GPM	80 L/min
Connection		1/2" FBSP
Nozzle Connection		1/4" MBSP
Total Length	25.6" or 45.3"	650 mm or 1150 mm*
Weight	6.6-8.8 lbs.	3-4 kg*
Temperature	maximum 302 °F	maximum 150 °C

\*depending on actual model



### KSP1500

HP - Gun complete with spray tube 29.5 in. (750 mm) handle and nozzle holder for insert nozzles (without hose connector and nozzle)

Part no. 7009209

#### Technical Data

	U.S.	Metric
Max. Working Pressure	17,400 PSI	1200 bar
Maximum Capacity	10.6 GPM	40 L/min
Connection	M 26x1.5 (with pressure screw M 26x1.5 and pressure ring M 14x1.5 LH)	
Total Length	39.4"	1000 mm
Weight	7.5 lbs.	3.4 kg
Temperature	maximum 122 °F	maximum 50 °C



### KSP3000

HP - Gun complete with spray tube - 29.5 in. (750 mm), hose connector M 14x1.5 LH, initiator with 79" (2m) cable (for remote control) and nozzle holder for insert nozzles. (Supplied without nozzles)

#### Technical Data

	U.S.	Metric
Max. Working Pressure	43,500 PSI	3000 baar
Maximum Capacity	10.6 GPM	40 L/min
Total Length	39.4"	1000 mm
Weight	6.6 lbs.	3.0 kg
Temperature	maximum 122 °F	maximum 50 °C
Connection	M 26x1.5 female (with pressure screw M 26x1.5 and pressure ring M 14x1.5 LH)	

Part No. 7018125



# Spray Dump Guns

## Kamat Accessories

### K1500 Spray Dump Gun



Part no. 7010442

High Pressure Gun complete with spray tube 29.5 in. (750 mm), handle, hose connector M 24x1.5 DKO, bypass tube 15.7 in. (400 mm) and nozzle holder for insert nozzles

#### Technical Data

	U.S.	Metric
Max. Working Pressure	21,750 PSI	1500 bar
Maximum Capacity	10.6 GPM	40 L/min
Connection		M 24x1.5 DKO
Total Length	39.4"	1000 mm
Weight (complete)	7.5 lbs.	3.4 kg
Weight (without spray tube and bypass tube)	6.8 lbs.	3.1 kg
Temperature	maximum 122 °F	maximum 50 °C

### K3000 Spray Dump Gun



Part no. 7016690

HP - Gun complete with spray tube 29.5 in. (750 mm), handle, hose connector M 14x1.5 LH, bypass tube 15.7 in. (400 mm) and nozzle holder for insert nozzles

#### Technical Data

	U.S.	Metric
Max. Working Pressure	36,250 PSI	2500 bar
Maximum Capacity	7.9 GPM	30 L/min
Connection	M 26x1.5 female (with pressure ring M 14x1.5 LH and pressure screw M26x1.5)	
Total Length	39.4"	1000 mm
Weight (complete)	7.5 lbs.	3.4 kg
Weight (without spray tube and bypass tube)	6.8 lbs.	3.1 kg
Temperature	maximum 122 °F	maximum 50 °C

## Kamat Accessories

Symbol						
ID	<b>DN 16</b>	<b>DN 32</b>	<b>DN 50</b>	<b>DN 80</b>	<b>DN 17</b>	<b>DN 25</b>
Function	Electric				Spring Loaded	
Maximum Pressure PSI (bar)	7250 (500)				10,150 (700)	
Flow GPM (L/min)	0 - 53 (0 -200)	53 - 159 (200 - 600)	159 - 370 (600 - 1400)	370 - 687 (1400 - 3600)	0 - 53 (0 -200)	0 - 92.5 (0 - 350)
Inlet Connection	30x65 mm ø 15 mm	70x70 mm ø 17 mm	80x90 mm ø 17 mm	100x200 mm ø 25 mm	30x65 mm ø 15 mm	30x65 mm ø 15 mm
Discharge Connection	SAE 3/4" 6000 PSI	SAE 1-1/2" 6000 PSI	SAE 2" 6000 PSI	SAE 2-1/2" 6000 PSI	M 22x1.5 IG - female	M 38x1.5 IG - female
Bypass	SAE 1-1/2" 3000 PSI	SAE 2" or 3" 3000 PSI	SAE 2-1/2" or 4" 3000 PSI	SAE 3" or 5" 3000 PSI	1" BSP IG - female	1" BSP IG - female
Standard Industry	7024463	7015910	7023051	7026472	7005662	7024034
Stainless Steel Industry	7028548	7020784	7028550	7028552	xxx	xxx
CE Ex-ATEX	7028547	7028549	7028551	xxx	xxx	
Special Note	<b>Spacer comple for all pilot valves (industry) required For pilot valves (mining) no spacer required</b>				<b>only mechanical</b>	
<b>Spacer for assembly of the unloader with the pilot valve</b>						
Standard	7016993					
Stainless Steel	7020810					
<b>3/2 way pilot valve</b>						
Industry Standard	24 V DC		7016250			
	230 V AC		7017455			
Industry Ex-ATEX	24 V DC		7026131			
	230 V DC		xxx			
Mining Ex-ATEX	12 V		7019030			

# Pressure Regulators



## Kamat Accessories



Symbol	Maximum Pressure PSI (bar)	Max. Flow GPM (L/min)	Inlet Connection	Measuring Connection	Bypass	Function	Part No. with ceramic seat and cone	
							Standard	Duplex
	21,750 (1500)	105 (400)	80x50 mm	M26x1.5	ø 28	Spring loaded	7025701	7026716
	8700 (600)						7026224	7026715
	21,750 (1500)	105 (400)	80x50 mm	M26x1.5	ø 28	pneumatic	7025300	7026719
	11,600 (800)						7026223	7026718
	4350 (300)						7026235	7026717
Symbol	Max. Pressure PSI (bar)	Max. Flow GPM (L/min)	Inlet Connection	Measuring Connection	Bypass	Function	Part No. with steel seat and cone	
							Standard	Duplex
	7250 (500)	634 (2400)	200x100 mm	M26x1.5	ø 125	pneumatic	7026259	7026720
	3625 (260)						7025783	7026721
Plug complete for closing the measuring connection (always required)							7026708	
Symbol	Maximum Pressure PSI (bar)	Max. Flow GPM (L/min)	Inlet Connection	Measuring Connection	Bypass IG Female	Function	Part No. with ceramic seat and cone	
							Standard	Duplex
	58,015 (4000)	15.8 (60)	M 26x1.5 IG-female	----	M 36x2	pneumatic	7029380	xxx
	Double nipple pressure inlet M 26x1.5 <b>Note: no pressure outlet</b>						7017844	



## Kamat Accessories



Symbol	Maximum Pressure PSI (bar)	Max. Flow GPM (L/min)	Inlet Connection	Discharge Connection	Bypass	Function	Part No. with steel seat and cone	
							Standard	Duplex
	8700 (600)	317 (1200)	80x90 mm	2" BSP	1-1/2" BSP	Spring loaded	7003776	7003804
	3190 (220)	317 (1200)	80x90 mm	2" BSP	1-1/2" BSP	pneumatic	7026200	7028077
	8700 (600)	317 (1200)	80x90 mm	2" BSP	1-1/2" BSP	pneumatic	7003808	7003809



Symbol	Maximum Pressure PSI (bar)	Max. Flow GPM (L/min)	Inlet Connection	Measuring Connection	Bypass IG Female	Function	Part No. with ceramic seat and cone	
							Standard	Duplex
	15,950 (1100)	66.1 (250)	30x65 mm	M30x1.5	1-1/2" BSP	pneumatic	7006873	xxx
							with adapter 10° for assembly left	
							7019333	xxx
							with adapter 10° for assembly right	
							7006872	xxx
with adapter 10° for assembly straight down								

## Kamat Accessories



Symbol	Max. PSI (bar)	Max. GPM (L/min)	Inlet Connection	Discharge Side Outlet	Bypass	Function	Part no.
	50763 (3500)	13.5 (51)	30 x 65 mm	M26 x 1.5	M22 x 1.5	pneumatic	7017294
	31,908 (2200)	34.3 (130)					7010022
	50763 (3500)	44.9 (170)					7024010
	21,750 (1500)	10.6 (40)	M26 x 1.5 M26 x 1.5	M26 x 1.5	-----	pneumatic	7010792
	36,250 (2500)	7.9 (30)	M26 x 1.5	M26 x 1.5	-----	pneumatic	7012458
	21,750 (1500)	10.6 (40)	M26 x 1.5	M26 x 1.5	-----	electric	7011424
	36,250 (2500)	7.9 (30)	M26 x 1.5	M26 x 1.5	-----	electric	7011436
	50763 (3500)	13.2 (50)	M26 x 1.5	M26 x 1.5	-----	pneumatic	7026520
	21,750 (1500)	52.8 (200)	M22 x 1.5	M22 x 1.5	-----	pneumatic	7004292
	14,500 (1000)	63.4 (240)	M30 x 1.5	M30 x 1.5	-----	pneumatic	7003250

# Rotating Nozzles

## Kamat Accessories



Part Number	Flow GPM (L/min)	Pressure PSI (bar)	Length inches (mm)	Connection	Weight Complete lbs (kg)
PRD4000	7.9 (30)	58,000 (4000)	6.9 (175)	M26 x 1.5	3.5 (1.6)
PRD2000	10.6 (40)	29,000 (2000)	6.9 (175)	M26 x 1.5	3.5 (1.6)



### Nozzle Heads for Rotating Tools

Type	Dimensions - in (mm)	Nozzle Configuration	Application	Part No.
RLH 1		max. 6 x Type 0987 Standard configuration: 6 x 0.35 mm	Cleaning and removal in areas of difficult access	7006182 without nozzle inserts
RLH 2		max. 4 x Type 0965 Standard configuration: 4 x 0.4 mm	Surface treatment Concrete removal Roughening of concrete surfaces Removal of paint and coatings	7006381 without nozzle inserts
RLH 3		max. 4 x Type 0987 Standard configuration: 4 x 0.4 mm	Removal of difficult coatings Cleaning in areas where access is limited	7006184 without nozzle inserts
RLH 4		max. 6 x Type 0965 Standard configuration: 6 x 0.35 mm	Surface treatment Concrete removal Roughening of concrete surfaces Removal of paint and coatings	7006428 without nozzle inserts
RLH 5		max. 2 x Type 0987 Standard configuration: 2 x 0.6 mm	Removal of difficult coatings Cleaning in areas where access is limited	7006183 without nozzle inserts
RLH 6		max. 8 x Type 0965 Standard configuration: 8 x 0.3 mm	Surface treatment Concrete removal Roughening of concrete surfaces Removal of paint and coatings	7006943 without nozzle inserts
Steel protection cover for nozzle head type RLH 2				7007949
Steel protection cover for nozzle head type RLH 4				7008082

# Multi-Operation 2/2 Way Control Valve



## Kamat Accessories

**Application:** These valves are used as control valves for multi-gun operations as well as for hydroforming, testing applications, etc.  
Only use with KSP 1500 or KSP 3000 electric or Dump Gun 1500 or 3000 electric

**Model:** Pilot controlled ball-seat valve

**Function:** When all valves are closed, the pressure regulating valve (master valve) directs water to bypass at near zero pressure.

**Material:** All parts coming in contact with fluid medium are stainless steel. Also available in seawater-resistant materials on request.

**Control:** Pneumatic or electric.

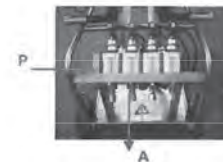
**Master Control Valve (7029380):** Required for operation (sold separately)



Design Example (left): Portable pneumatic control unit for up to four (4) operators. With four (4) valves, control box, cable reel and pneumatic hose reel.

### Technical Data

	U.S.	Metric
Flow	10.6 GPM max.	40 L/min max.
Working Pressure	21,750 PSI max.	1500 bar max.
Flow Direction	"P" to "A" (See Diagram)	
<b>Operation</b>		
Electrical	24 VDC (Standard)	
Pneumatic	(Other Voltages - 220VAC, 12 VDC, explosion proof or ATEX)	
Connections	1x Inlet M 26 x 1.5 female with Discharge M 26 x 1.5 female - One per operator	



#### **Electric Version 24 VDC**

	<b>Part No.</b>
1x Operator Control	7011424
2x Operator Control	7011425
3x Operator Control	7011426
4x Operator Control	7011427



#### **Pneumatic Version**

1x Operator Control	7010792
2x Operator Control	7011111
3x Operator Control	7011110
4x Operator Control	7011099



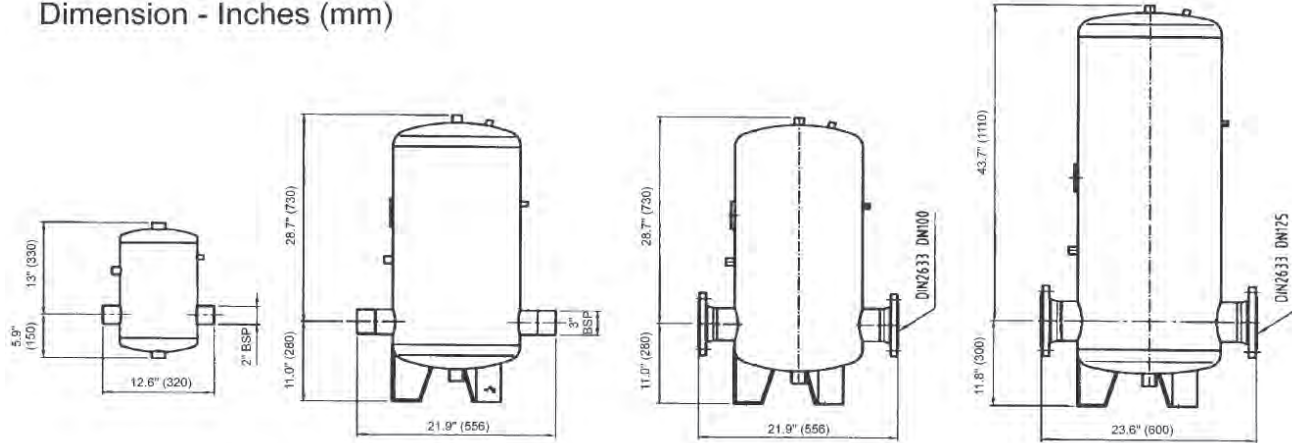
Cartridge Repair Kit for each valve	7012459
-------------------------------------	---------

## Kamat Accessories

### Inlet Suction Stabilizers

Type	Flow-GPM (L/min)	Diameter	Pressure - PSI (Bar)	Temp. - F (C)	Weight - Lbs. (Kg)	Material	Suction Stabilizer Part Number	Complete Part Number
I	31.7 (120)	2"	116 (8)	176 (80)	33 (15)	Steel, zinc plated	7006487	7006620
						Stainless Steel	7009412	7009415
II	79.3 (300)	3"	116 (8)	176 (80)	179 (81)	Steel, zinc plated	1030493	1010849
						Stainless Steel	7009413	7009416
	124 (470)	DN 100				Steel, zinc plated	7010059	7010063
						Stainless Steel	7010061	7010065
III	198 (750)	DN 125	116 (8)	176 (80)	339 (154)	Steel, zinc plated	7010060	7010064
						Stainless Steel	7010062	7010066

Dimension - Inches (mm)



### Safety Valves

Max. PSI (bar)	Inlet Port	Bypass Port	Function	Part Number
725 (50)	M 22 x 1.5	M 22 x 1.5	Spring Loaded	7015412
725 (50)	M 30 x 1.5	M 22 x 1.5	Spring Loaded	7019631
2900 (200)	M 30 x 1.5	M 22 x 1.5	Spring Loaded	7016461
7250 (500)	M 30 x 1.5	M 22 x 1.5	Spring Loaded	7004607
7250 (500)	M 22 x 1.5	M 22 x 1.5	Spring Loaded	7004608
14,500 (1000)	M 22 x 1.5	M 22 x 1.5	Spring Loaded	7004609
14,500 (1000)	M 30 x 1.5	M 22 x 1.5	Spring Loaded	7011430
21,750 (1500)	M 22 x 1.5	M 22 x 1.5	Spring Loaded	7004610
21,750 (1500)	M 30 x 1.5	M 22 x 1.5	Spring Loaded	7011431
58,000 (4000)	M 26 x 1.5	M 22 x 1.5	Spring Loaded	7006378





## Kamat Accessories

### Application

The tank cleaning nozzles are ideally suited for a wide range of applications in the chemical, petrochemical, paper and plastics industries.

Applicable as a tool for cleaning tanks, reactors, vessels, as well as pipes of various types.

### Description

- Rotor arm positioned three dimensionally
- During the operation the speed and the direction of rotation can be adjusted from the outside
- During the operation the speed and direction of rotation for each axis can be controlled individually from the outside
- Straight lance pipes as nozzle arms
- Simple and easy nozzle arm extension possible



### Technical Data

	U.S.	Metric
<b>Model - TWK 200-1500</b>		
Maximum Pressure	21,750 PSI	1500 bar
Maximum Flow Rate	52.8 GPM	200 L/min
<b>Model - TWK 340-700</b>		
Maximum Pressure	10,150 PSI	700 bar
Maximum Flow Rate	90 GPM	340 L/min
<b>Common Specifications</b>		
Minimum Man-Hole	7.9 inches	200 mm
Minimum Tube	8.7 inches	220 mm
Max. Air Consumption (prefer oiled and filtered)	33.2 ft <sup>3</sup> /min	0.94 m <sup>3</sup> /min
Maximum Air Pressure	87 PSI	6 bar
Water Connection*	M 24x1.5 DKOS male	
Air Connection*	4x 1/4" FBSP	
Number of Nozzles	2+2	
Nozzle Type	Straight Jet Insert nozzle, M10	
Weight	50.1 lbs	23 kg
Maximum Arm Length	5 ft	1.5 meters
*Upon request, other connection types are available		



## High Pressure Filter

### Kamat Accessories

#### Design

- Stainless steel housing without filter insert
- Reworkable, metal-to-metal sealing system
- Transparent spray protection
- FDA/GMP suitability

#### Fluids

- Water, saline and demineralized
- Non-aggressive chemical fluids
- Biotechnological suspensions
- Solutions (e.g. acetone)
- Viscosity up to 2000 mPas



German Patent 10224634 granted and Foreign Patents applied for

Max. working pressure      1500 bar      Part No. 7010825  
 Max. working pressure      2500 bar      Part No. 7011380

#### Technical Data

	U.S.	Metric
Maximum Flow (water)	13.2 GPM	50 L/min
Maximum Temperature	300 °F	150 °C
Maximum differential pressure	2175 PSI	150 bar
Total Length	8.1"	205 mm
Outer Diameter	5.9"	150 mm
Weight	32.2 lbs.	14.6 kg
Connection		M 26 x 1.5
(autoclave hp-fitting with pressure ring M 14 x 1.5 LH and pressure screw M 26 x 1.5)		

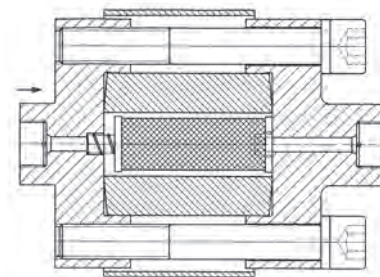
#### Applications

- High pressure filtration, nozzle and valve protection in process plants and on high pressure jetting installations

#### Filter inserts

Available, reusable, washable filter inserts in stainless steel

- 10 µm      Part No. 7011321
- 25 µm      Part No. 7011322
- 50 µm      Part No. 7009953
- 100 µm      Part No. 7009954
- 200 µm      Part No. 7010298



# Surface Cleaners

## Kamat Accessories

### Surface Cleaner 3000 Air

Mobile Surface Cleaner - Pneumatically Driven

#### Applications

- Cleaning of steel surfaces
- Cleaning of floors and concrete surfaces
- Removal of paints and coatings



#### Technical Data

	U.S.	Metric
Max. Working Pressure	43,500 PSI	3000 bar
Max. Capacity	10.6 GPM	40 L/min
Connection	M 14 x 1.5 LH left female	
Working Width	9.8"	250 mm
Weight	121.2 lbs.	55 kg
Vacuum Fitting		1-1/2" BSP
Max. Nozzle Quantity		12
<b>Pneumatic Drive</b>		
Speed		0 - 1000 RPM
Air Connection	Quick coupling for air hose ID 6	
Air Requirement	1.2 CFM	5.3 l/s
Air Working Pressure	91 PSI	6.3 bar

### Wall Cleaner 3000 Air

Pneumatically Driven, Hand-Held Surface Cleaner

#### Applications

- Cleaning of steel surfaces (e.g. ship hulls and superstructures)
- Cleaning of concrete surfaces
- Removal of paints, graffiti and coatings



#### Technical Data

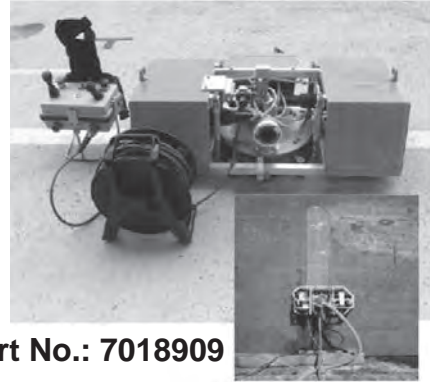
	U.S.	Metric
Max. Working Pressure	43,500 PSI	3000 bar
Max. Capacity	7.9 GPM	30 L/min
Connection	M 14 x 1.5 LH female	
Working Width	7.9"	200 mm
Weight	24.3 lbs.	11 kg
Vacuum Fitting		1-1/2" BSP
Max. Nozzle Quantity		12
<b>Pneumatic Drive</b>		
Speed		0 - 3000 RPM
Air Connection	Quick coupling for air hose ID 6	
Air Requirement	10.6 CFM	5.0 l/s
Air Working Pressure	91 PSI	6.3 bar

## Kamat Accessories

### Automatic Surface Cleaner, Pneumatically Driven

Rugged Construction - High Capacity  
 Compact - Ease of Maintenance  
 Larger Cleaning Area - Powerful Drive Unit

Developed for a wide range of steel cleaning applications. It has proven to be an excellent choice for cleaning the surfaces of a variety of steel structures such as tanks, vessels and ship's hulls.



Part No.: 7018909

### Technical Data

	U.S.	Metric
Max. Working Pressure	43,500 PSI	3000 bar
Max. Capacity	10.6 GPM	40 L/min
Cleaning Width (dia)	11.8" to 13.8"	300-350 mm
Swivel Unit Diameter	18.1"	460 mm
Length of Unit	37"	640 mm
Medium Used		water
Maximum Temperature	122 °F	50 °C
High Pressure Fitting		M 14 x 1.5 LH
Weight	143 lbs.	65 kg
Min Air Pressure Req.	87 PSI	6 bar
Cleaning Speed	14.8 ft/min	4.5 m/min
Air Flow Required (Filtered & Oiled)		25 L/s
Filtration		5 microns
Number of Nozzles		Max. 12
Type of Nozzle Inserts		Form 0695
Control Voltage (Std.)		24 VDC

### Construction

Surrounded by a sturdy aluminum frame, the SHC 3000 cleans successfully in both the horizontal and vertical positions. Built-in magnets ensure that the SHC 3000 keeps a firm grip on the steel surface being cleaned. To allow for cleaning in tight spaces, the swivel unit can be easily separated from the aluminum frame.

The core of the system is a pneumatically-driven swivel joint which activates the nozzle arms in the housing and sets them in rotation. The speed of the built-in air motor is steplessly adjustable to achieve optimum cleaning efficiency.

Welded seams and uneven surfaces on the object to be cleaned do not pose any problem for the SHC 3000. An additional feature is the ability to fit a vacuum device to the unit which allows for the removal of debris by suction. (Reference Kamvac #7014096).

The SHC can be operated via a remote control console. Pressure can be switched on and off and the speed and direction of the unit can also be regulated.

As an additional safeguard, to prevent the machine from slipping off the surface, there is an attachment on the frame for connecting steel cables.

# Vacuum Unit

## Kamat Accessories

Compact, mobile vacuum device with filter separator and dirty-water return pump in a weather-proof, rugged design and height-adjustable frame.

### FOR SUCTION OF FLUIDS AND SOLIDS

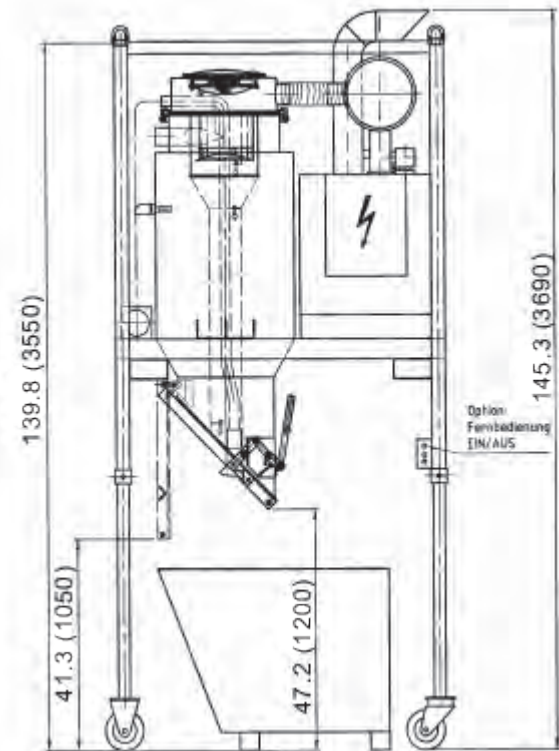
Ideally suited for use with the **XPSHC 2500 & 3000** Surface Cleaners, using hoses up to a maximum distance of 164 ft. (50 m).

### Information

- Height-Adjustable supports with fixed and steering rollers, with space below for a 265 gallon (1,000 L) collection container.
- Draining via shuttle valve.
- 100 mm screen filtration for separation of fluids and solids.
- Level indicator for fluids and solids.
- Float valve for return pump - on/off
- 11 kW suction unit with side-channel vacuum pump, vacuum limiter and safety valve.
- Dirty water return pump - approx. 528 gallon/hour (2,000 L/hour) with Stortz D-coupling in outlet, non-return valve and ball valve.
- Suction fitting DN 100 MV / 60K
- Electric controls with outlet - 230V / 50 Hz / 16A
- Supply voltage 400V / 50 Hz (440V / 60 Hz Available)
- Control voltage 24V / 50Hz
- Auxillary contacts for on/off switching via remote control
- Cable reel with 164 ft. (50 m) cable and plug

### Optional Equipment

Part No.	Description
7014097	Suction hose DN60 x 32ft. (9.75 m) with connector
7014098	Coupling piece DN60 for hose connection
7014099	Suction hose DN50 x 32ft. (9.75 m)



Part No.: 7014096



## Kamat Accessories

### Mechanical and Electrical



#### Technical Data - Foot Valve 1500

Part Number	7032719
Maximum Working Pressure	21,755 PSI (1500 bar)
Nominal diameter	DN 8
Pressure connection	M 26 x 1.5 IG
Design	mechanical

#### Additional equipment

Hose connection adaptor M 22 x 1.5:	7009212
Hose connection adaptor M 24 x 1.5:	7009213
Initiator for remote control:	7017928

#### Technical Data - Dump Foot Valve 1500

Part Number	7032733
Maximum Working Pressure	43,500 PSI (3000 bar)
Nominal diameter	DN 6
Pressure connection	M 24 x 1.5 DKO
Design	mechanical

#### Additional equipment

Initiator for remote control:	7017928
-------------------------------	---------

#### Technical Data - Dump Foot Valve 3000

Part Number	7032732
Maximum Working Pressure	43,500 PSI (3000 bar)
Nominal diameter	DN 6
Pressure connection	autoclave HP-Fitting Pressure ring M 14 x 1.5 LH Pressure screw M 26 x 1.5
Design	mechanical

#### Additional equipment

Initiator for remote control:	7017928
-------------------------------	---------

#### Technical Data - Foot Switch

Part Number:	7017920
Design:	electrical complete with 2 m cable and plug 6-pole



# GIANT INDUSTRIES LIMITED WARRANTY

Giant Industries, Inc. pumps and accessories are warranted by the manufacturer to be free from defects in workmanship and material as follows:

1. For portable pressure washers and car wash applications, the discharge manifolds will never fail, period. If they ever fail, we will replace them free of charge. Our other pump parts, used in portable pressure washers and in car wash applications, are warranted for five years from the date of shipment for all pumps used in NON-SALINE, clean water applications.
2. One (1) year from the date of shipment for all other Giant industrial and consumer pumps.
3. Six (6) months from the date of shipment for all rebuilt pumps.
4. Ninety (90) days from the date of shipment for all Giant accessories.

This warranty is limited to repair or replacement of pumps and accessories of which the manufacturer's evaluation shows were defective at the time of shipment by the manufacturer. The following items are NOT covered or will void the warranty:

1. Defects caused by negligence or fault of the buyer or third party.
2. Normal wear and tear to standard wear parts.
3. Use of repair parts other than those manufactured or authorized by Giant.
4. Improper use of the product as a component part.
5. Changes or modifications made by the customer or third party.
6. The operation of pumps and or accessories exceeding the specifications set forth in the Operations Manuals provided by Giant Industries, Inc.

Liability under this warranty is on all non-wear parts and limited to the replacement or repair of those products returned freight prepaid to Giant Industries which are deemed to be defective due to workmanship or failure of material. A Returned Goods Authorization (R.G.A.) number and completed warranty evaluation form is required prior to the return to Giant Industries of all products under warranty consideration. Call **419.531.4600** or fax **419.531.6836** to obtain an R.G.A.number.

Repair or replacement of defective products as provided is the sole and exclusive remedy provided hereunder and the manufacturer shall not be liable for further loss, damages, or expenses, including incidental and consequential damages directly or indirectly arising from the sale or use of this product. The limited warranty set forth herein is in lieu of all other warranties or representation, express or implied, including without limitation any warranties or merchantability or fitness for a particular purpose and all such warranties are hereby disclaimed and excluded by the manufacturer.

## RETURNED GOODS POLICY

Credit for any merchandise to be returned is subject to approval from Giant Industries. Credit will be issued to the original purchaser only and will be applied directly to your account. Under no circumstances will credits be given on a cash basis. Credit will be based upon the price of the merchandise, less the given discount at the time of purchase.

## TERMS:

1. Any pump, part or accessory may be returned up to 45 days from the date of shipment with no restocking charge, providing the product is in good condition and has not been used or damaged.
2. Merchandise returned between 45 days and one year, providing the total is below \$2500, will be subject to a 25% restocking charge. For larger dollar amounts, a negotiable restocking charge may be assessed.
3. We regret the fact that elastomers and obsolete parts will not be accepted for credit beyond the 45 day period (as stated in item #1).
4. Giant Industries reserves the right to amend or cancel any or all portions of this policy at any time.

## TERMS AND CONDITIONS

- All prices subject to change without notice. – Minimum invoice: \$25. – Payment Terms: 2% 10 Net 30 with prior credit approval.
- **Late Penalty Charge** – 1-1/2% monthly interest penalty will be assessed on all past due accounts. – **Method of Shipment** – All orders will be shipped F.O.B. Toledo, Ohio. Orders without specific shipping instructions will be shipped by the most efficient method possible.
- **Drop Shipments** – Giant Industries, Inc. will not drop-ship orders as a normal course of business. Orders requiring emergency rush shipment will be drop-shipped under the following conditions:
  1. No C.O.D. shipment
  2. \$25 Net Minimum Invoice
  3. Only Accounts with established credit will be considered for emergency
  4. A \$10 invoice up charge will be assessed for drop shipments.



Giant Industries, Inc.  
900 N. Westwood Ave  
Toledo, Ohio 43607  
**419.531.4600**  
**419.531.6836 (fax)**  
giantpumps.com