

K1500/K3000 Spray Dump Guns, mechanical valve

- High pressure gun complete with spray tube 29.5 in. (750 mm), handle, bypass tube 15.7 in. (400 mm) and nozzle holder for insert nozzles (without hose connection adapter and nozzle)

-21,750 PSI (1500 bar) Part no. 7032747
-43,500 PSI (3000 bar) Part no. 7032535



Optional Equipment:

-without spray tube and nozzle holder

-21,750 PSI (1500 bar) Part no. 7032720
-43,500 PSI (3000 bar) Part no. 7032414



Additional Equipment:

-Shoulder support
-Initiator for remote control

Part no. 7009215
Part no. 7017928



Technical Data

	U.S.	Metric
Maximum Working Pressure (K1500):	21,750 PSI	1500 bar
Maximum Working Pressure (K3000):	43,500 PSI	3000 bar
Maximum Flow:	7.9 GPM	30 L/min
Connection:		M 26x1.5 female
Total Length:	39.4"	1000 mm
Weight (complete):	7.5 lbs.	3.4 kg
Weight (without spray tube and bypass tube):	6.8 lbs.	3.1 kg
Maximum Temperature:	122 °F	50 °C
Usable Nozzle Inserts:	-Insert nozzles Form A+B and C -Threaded nozzle inserts type 0952 (up to 43,500 PSI/3000 bar) -Rotating nozzle PRD 3500 -Nozzle heads DK1 - DK4 for PRD 3500 -Orbital nozzle KOD 1500 -Orbital nozzle KOD 2500	

Applications

For manual surface cleaning of all types of forms and materials with nozzle.



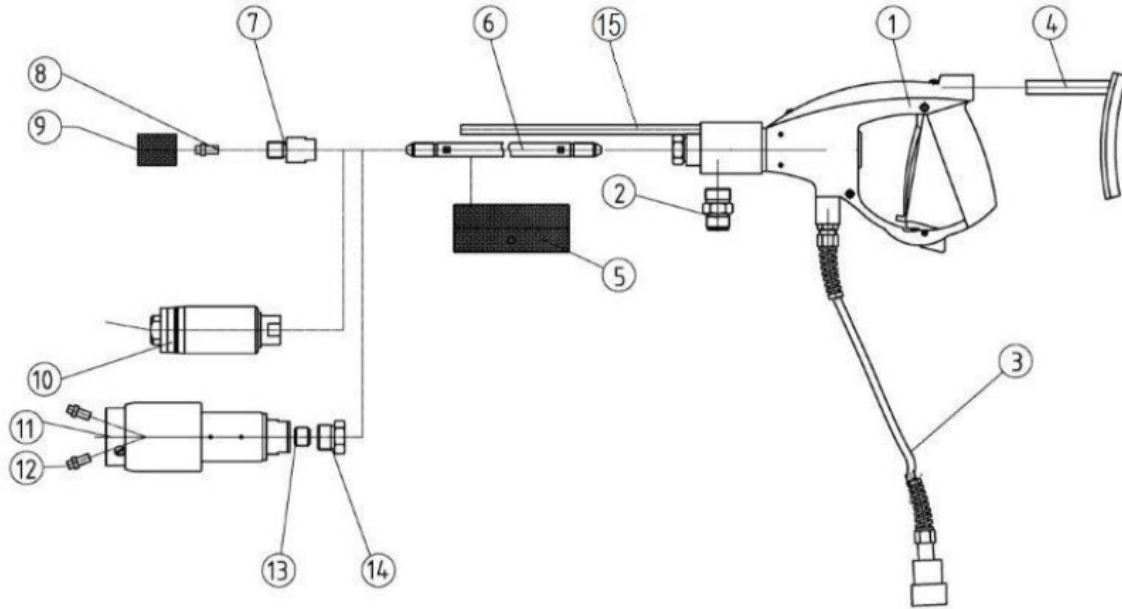
For hand-help operation of a spray gun the nozzle diameter must be selected to ensure that the reaction force in the longitudinal axis when used at the maximum operating pressure does not exceed 56.2 lbs.-force (250 N). If the reaction force is in excess of 33.7 lbs.-force (150 N) the gun must be equipped with a support.

Giant Industries, Inc.
900 N. Westwood Ave.
Toledo, OH 43607
(419) 531-4600
(419) 531-6836
www.giantpumps.com



WARNING: This product might contain a chemical known to the State of California to cause cancer, and birth defects or other reproductive harm. For more information go to www.P65Warnings.ca.gov

K1500/K3000 Accessories and Spare Parts



Item	Description	Part No.
1	Gun handle (K1500) - 21,750 PSI (1500 bar) Gun handle (K3000) - 43,500 PSI (3000 bar)	7032720 7032414
2	a. Hose connection adapter M 22x1.5 DKO b. Hose connection adapter M 24x1.5 DKO c. Pressure ring M 14x1.5 :H + Pressure screw M 26x1.5	7013332 7009213 7006365 + 7006364
3	Initiator with 6.7 ft (2 m) cable for remote control	7017928
4	Shoulder support	7009215
5	Handle	7011949
6	Gun tube (29.5") 750 mm (19.7") 500 mm (39.4") 1000 mm	7006963 7006964 7006382
7	Adapter for nozzle insert	7009549
8	Insert nozzle	see Straight Jet Insert nozzles - Form A & B
9	Cap nut for insert nozzle	1051600
10	Orbital nozzle KOD 1500 Orbital nozzle KOD 2500	see KOD Literature
11	Rotating nozzle PRD 3500 Nozzle heads DK1 - DK4 for PRD 3500 Nozzle ø selection table for DK1 - DK4	see PRD 3500 Literature
12	Straight jet threaded nozzle	see Straight Jet Threaded Nozzle Literature
13	Pressure ring M 14x1.5 LH	7006365
14	Pressure screw M 26x1.5	7006364
15	Bypass Pipe	7011945