



## Technical Bulletin 2010-02

---

**DATE:** *May 12, 2010*

**TO:** *Giant Industries Staff and Customers*

**FROM:** *Daniel Losek*

**RE:** *LP Series Pump Improvement*

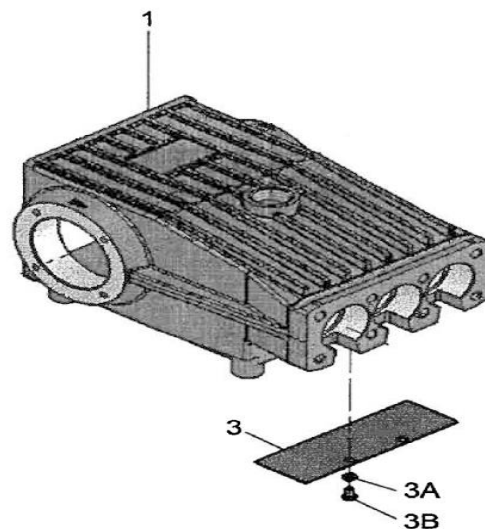
---

All pumps of the above mentioned series will be equipped with a bottom cover plate (pos. 3) with immediate effect. Its purpose is to prevent someone accidentally placing their hand in the open space under the pump between the seal sleeves and gear/plunger oil seals during pump operation, as the moving ceramic plungers could injure a person's hand.

Should you have any other questions regarding these changes please feel free to contact your Giant sales representative at 800-633-4565.

Kind Regards,

Daniel Losek  
Engineering



Performance Under Pressure