

K 80000 - 5G Quintuplex Plunger Pump



Rated Speed 440 RPM			Pressure at specific power inputs								Pump Head Style		
Type	FLOW		536 Hp	400 kW	670 Hp	500 kW	845 Hp	630 kW	1072 Hp	800 kW	A1	M	MC1
	GPM	L/min	PSI	Bar	PSI	Bar	PSI	Bar	PSI	Bar			
K 80022 - 5G	30.9	117	25738	1775	32190	2220	40600	2800	50750	3500	1		
K 80024 - 5G	36.7	139	21605	1490	27043	1865	34075	2350	43210	2980	1		
K 80026 - 5G	43.1	163	18415	1270	23055	1590	29000	2000	36903	2545	1		
K 80028 - 5G	50.2	190	15878	1095	19865	1370	25013	1725	31755	2190	1		
K 80032 - 5G	65.5	248	12180	840	15225	1050	19140	1320	24288	1675	1		
K 80036 - 5G	82.7	313	9570	660	12035	830	15153	1045	19213	1325	2		
K 80040 - 5G	102.2	387	7758	535	9715	670	12253	845	15588	1075	2		H
K 80045 - 5G	129.5	490	6163	425	7685	530	9643	665	12253	845	2		H
K 80050 - 5G	159.6	604	4930	340	6235	430	7830	540	9933	685	2		H
K 80055 -5G	193.1	731	4060	280	5148	355	6453	445	8193	565		1	H
K 80060 -5G	229.9	870	3408	235	4278	295	5438	375	6888	475		1	H
K 80065 -5G	270.0	1022	2973	205	3698	255	4640	320	5873	405		1	1
K 80070 -5G	313.1	1185	2538	175	3118	215	3988	275	5075	350		1	1
K 80075 -5G	359.3	1360	2175	150	2755	190	3480	240	4423	305			1
K 80080 -5G	408.7	1547	1886	130	2393	165	3046	210	3844	265			1
K 80085 -5G	461.6	1747	1668	115	2103	145	2683	185	3408	235			1
K 80090 -5G	517.3	1958	1450	100	1886	130	2393	165	3046	210			1
K 80095 -5G	576.5	2182	1378	95	1668	115	2175	150	2755	190			1
K 80100 -5G	638.5	2417	1305	90	1595	110	1958	135	2538	175			2
K 80110 -5G	772.7	2925	1015	70	1305	90	1595	110	2103	145			2
K 80120 -5G	919.9	3482	870	60	1088	75	1233	85	1813	125			2

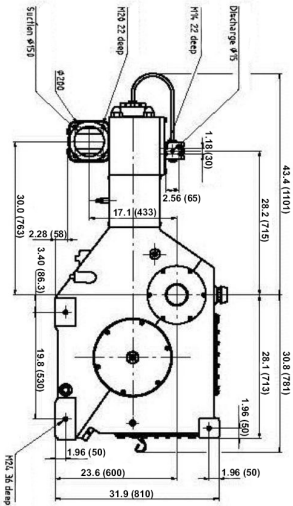
■ = Ultra High Pressure

Subject to change without notice

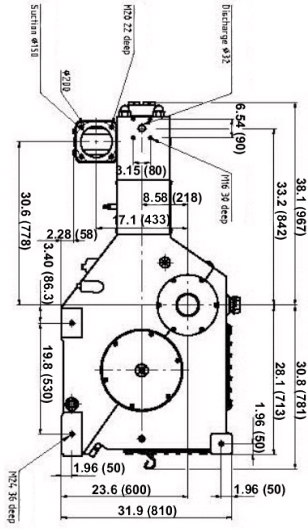
- ◆ Flow rate is based on 100% volumetric efficiency and 68° F (20° C) ambient temperature.
- ◆ Depending on fluid medium, a minimum inlet pressure is required.
- ◆ Depending on rod loading, crankshaft RPM is 10-100%.
- ◆ Gearend - dynamically balanced
- ◆ Gear with force-fed lubrication and oil cooling
- ◆ Standard Gear Ratios: i = 3.40, 4.09, 4.69, 5.19, and 6.03
- ◆ Weight: 8047 lbs (3650 kg)
- ◆ API 674 specifications available upon request. Maximum speed for API674 = 350 RPM
- ◆ Contact your local distributor or Giant Industries for use with special mediums i.e. seawater, glycol, methanol, oils, etc.

Pump Dimensions mm(in)

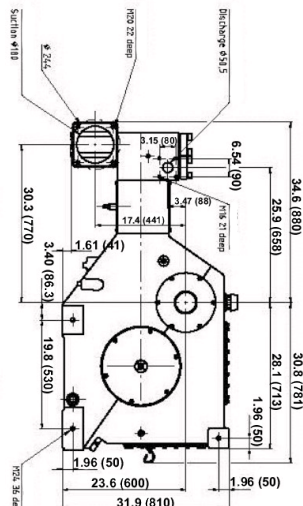
Type A1



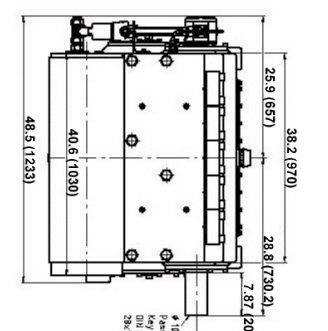
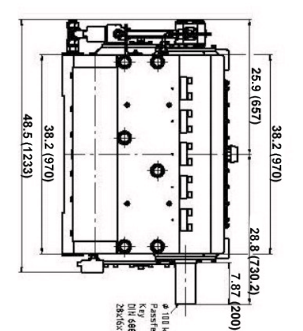
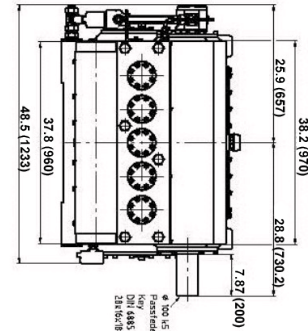
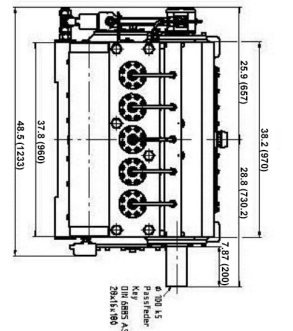
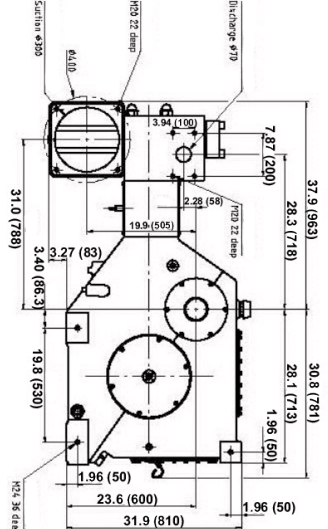
Type A2



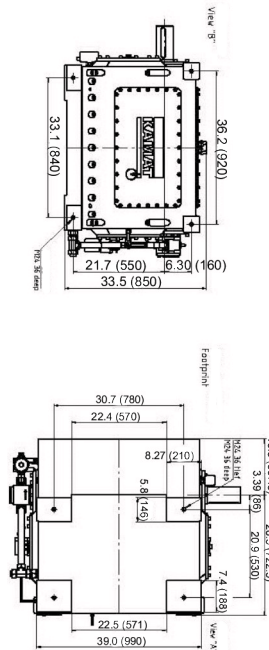
Type M



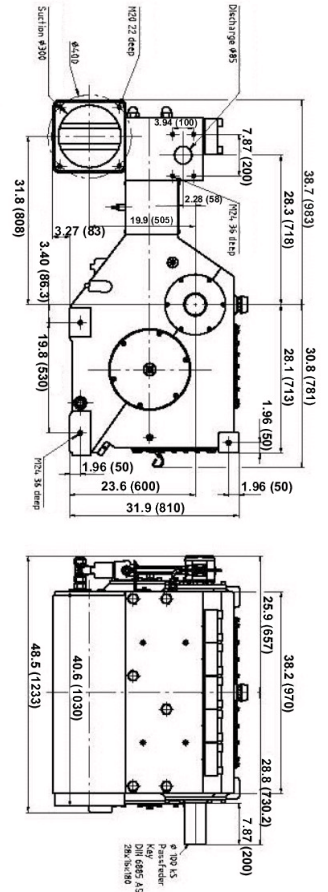
Type MC1



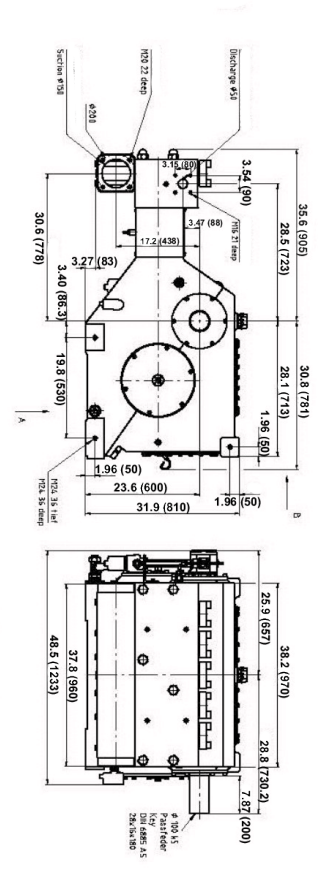
Footprint



Type MC2



Type MCH



Performance Under Pressure
GIANT INDUSTRIES, INC.

900 N. Westwood Ave.
Toledo, Ohio 43607
Phone: (419) 531-4600
Fax: (419) 531-6836
www.giantpumps.com

© Copyright 2019 Giant Industries, Inc.