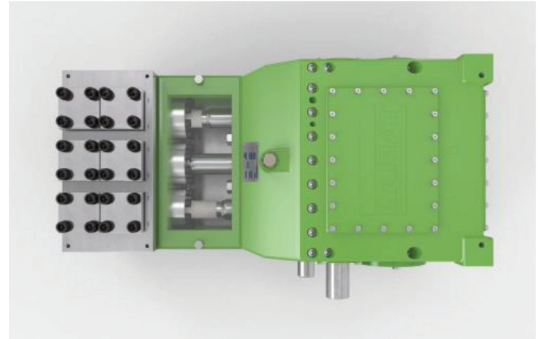
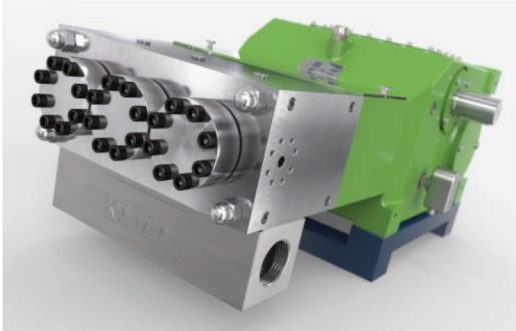


K 20000-3G Triplex Plunger Pump



Rated Speed 375 RPM			Pressure at specific power inputs								Pump Head Style		
Type	FLOW		147 Hp	110 kW	177 Hp	132 kW	214 Hp	160 kW	268 Hp	200 kW	A	M	MC
	GPM	L/min	PSI	Bar	PSI	Bar	PSI	Bar	PSI	Bar			
K 20018-3G	9.0	34	24650	1700	29580	2040	35815	2470	40600	2800	1		
K 20020-3G	11.1	42	19938	1375	23925	1650	29000	2000	36250	2500	1		
K 20022-3G	13.5	51	16240	1120	19575	1350	23635	1630	29000	2000	1		
K 20024-3G	16.1	61	13630	940	16313	1125	19720	1360	24650	1700	1		
K 20026-3G	19.0	72	11890	820	13993	965	16820	1160	20445	1410	1		
K 20028-3G	21.9	83	10440	720	12398	855	14718	1015	17618	1215	1		
K 20030-3G	25.1	95	9135	630	10948	755	13050	900	15370	1060	1		H
K 20032-3G	28.8	109	8048	555	9570	660	11600	800	13485	930	1		H
K 20036-3G	36.2	137	6308	435	7613	525	9208	635	10658	735	1		H
K 20040-3G	44.9	170	5148	355	6090	420	7395	510	8628	595	1		H
K 20045-3G	56.8	215	3915	270	4713	325	5655	390	6815	470	1	1	H
K 20050-3G	70.0	265	3045	210	3698	255	4495	310	5510	380	1	1	H
K 20055-3G	84.8	321	2538	175	3045	210	3698	255	4568	315		1	1
K 20060-3G	101	382	2175	150	2610	180	3118	215	3843	265		1	1
K 20065-3G	118	448	1813	125	2175	150	2683	185	3263	225		1	1
K 20070-3G	137	519	1595	110	1885	130	2320	160	2828	195			1
K 20075-3G	158	596	1378	95	1668	115	2030	140	2465	170			1
K 20085-3G	202	766	1088	75	1305	90	1523	105	1885	130			1
K 20095-3G	253	957	870	60	1088	75	1305	90	1523	105			1

■ = Ultra High Pressure UHP

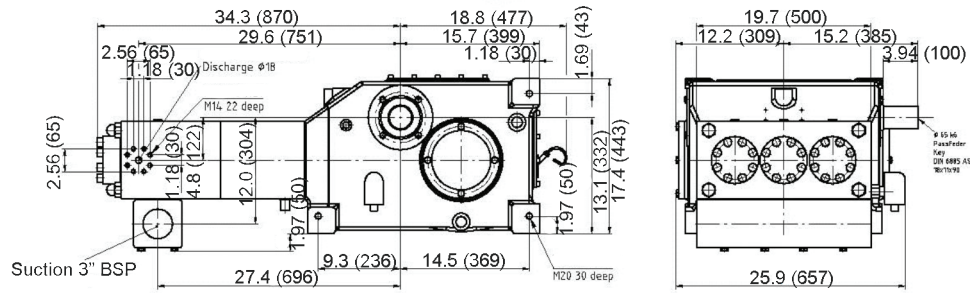
Subject to change without notice

- ◆ Flow rate is based on 100% volumetric efficiency and 68° F (20° C) ambient temperature.
- ◆ Depending on fluid medium, a minimum inlet pressure is required.
- ◆ Speed Range: 10-100% (depending on rod force)
- ◆ Gear with splash lubrication.
- ◆ Standard Gear Ratios: i = 3.33, 3.50, 4.04, 4.62 and 5.44
- ◆ Weight: 2072 lbs (940 kg)
- ◆ API 674 specifications available upon request.
- ◆ Contact your local distributor or Giant Industries for use with special mediums. i.e. seawater, glycol, methanol, oil, etc.

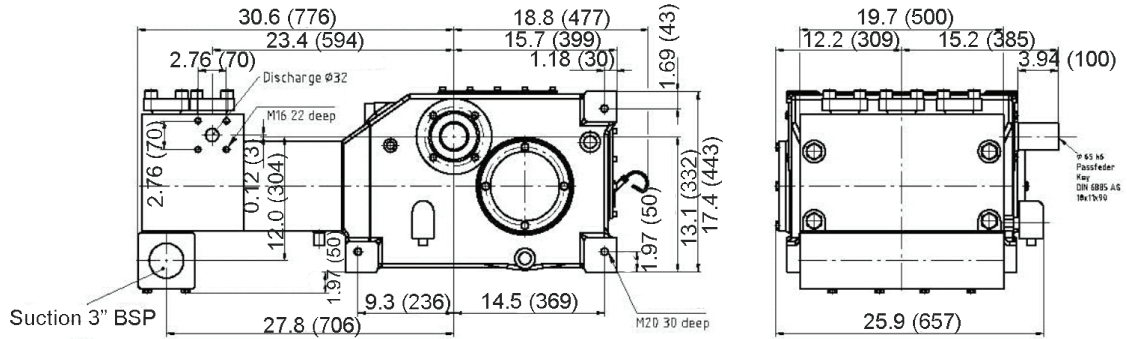
Pump Dimensions mm(in)

High Pressure Head A

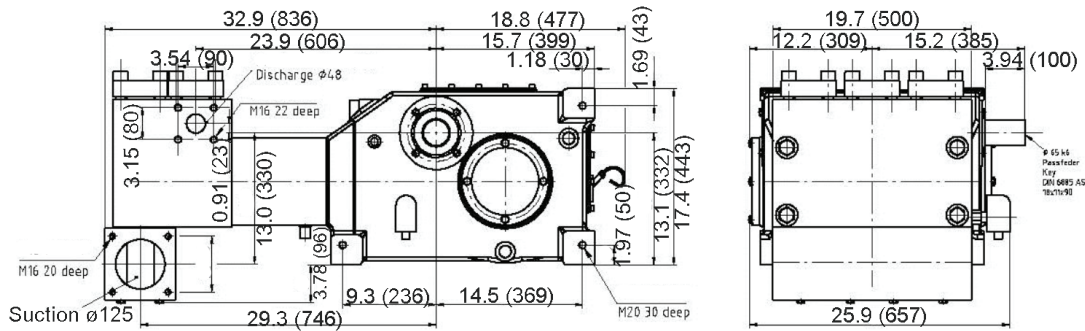
Typ A
Type A



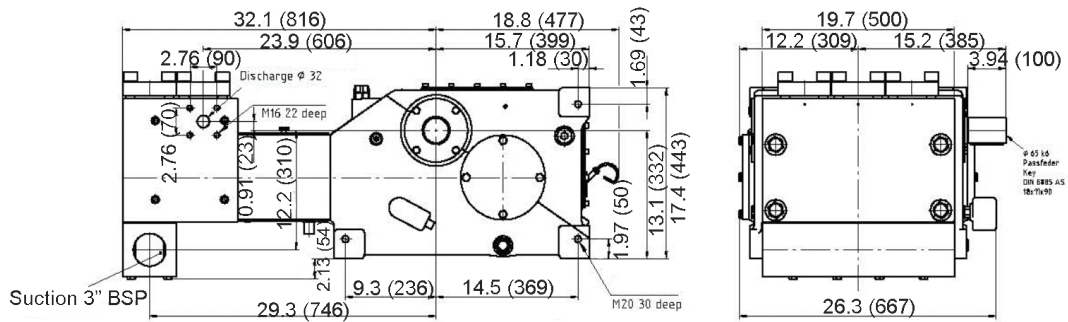
Compact Head M



Compact Head MC



Compact Head MCH



GIANT

Performance Under Pressure
GIANT INDUSTRIES, INC.

900 N. Westwood Ave.

Toledo, Ohio 43607

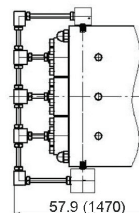
Phone: (419) 531-4600

Fax: (419) 531-6836

www.giantpumps.com

© Copyright 2019 Giant Industries, Inc.

High Pressure Head



High Pressure Head a 1500 bar

Footprint

