

K 120000 - 5G Quintuplex Plunger Pump



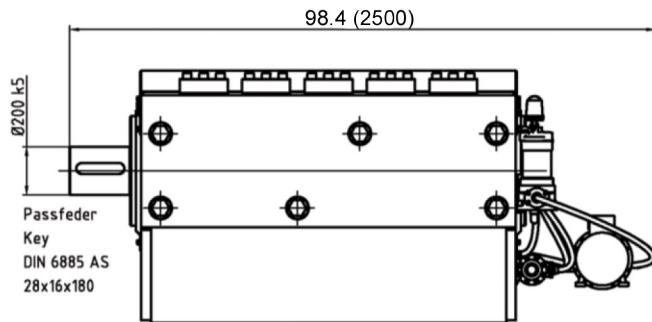
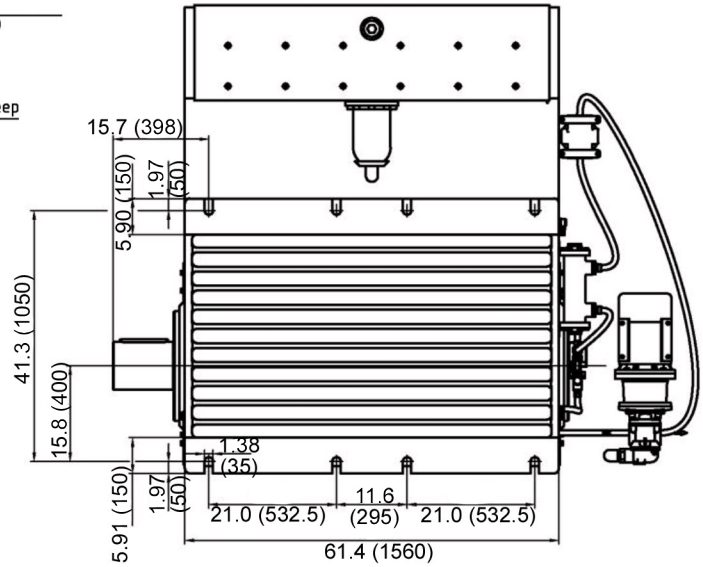
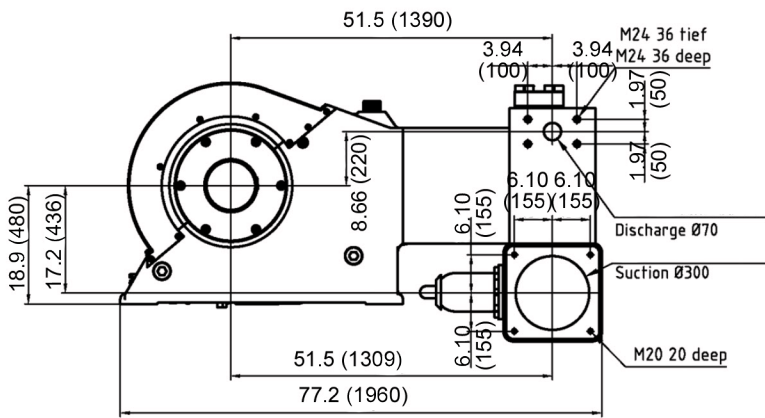
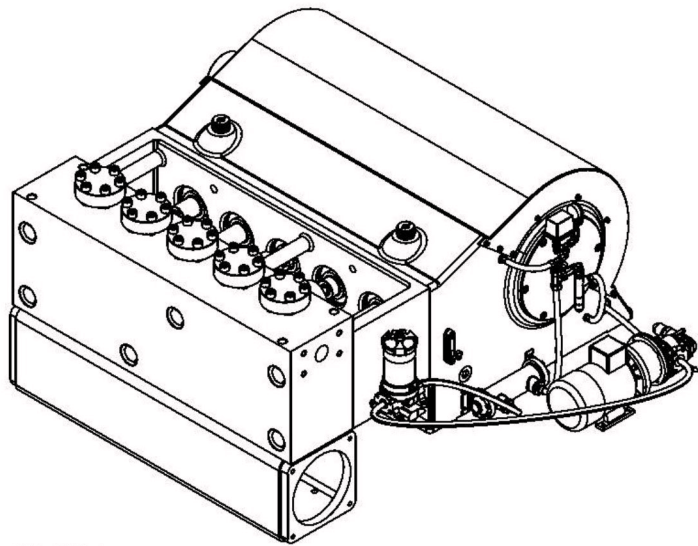
- ◆ Flow rate is based on 100% volumetric efficiency and 68° F (20° C) ambient temperature.
- ◆ Depending on fluid medium, a minimum inlet pressure is required.
- ◆ Depending on rod loading, speed range is 10-100%.
- ◆ Dynamically balanced crankshaft
- ◆ Gear with external force-fed lubrication and oil cooling
- ◆ Standard Gear Ratios: $i = 4.76, 5.72$ and 6.35
- ◆ Weight: 16,535 lbs (7500 kg)
- ◆ API 674 specifications available upon request.
Maximum Speed=260 RPM
- ◆ Contact your local distributor or Giant Industries for use with special mediums. i.e. seawater, glycol, methanol, oils, etc.

Type	Rated Speed 320 RPM		Pressure at specific power inputs								Pump Head Style	
	FLOW		536 Hp	900 kW	670 Hp	1000 kW	845 Hp	1100 kW	1609 Hp	1200 kW	A	MC(H)
	GPM	L/min	PSI	Bar	PSI	Bar	PSI	Bar	PSI	Bar		
K 120028 - 5G	41.7	158	43076	2970	47863	3300	50763	3500	-	-	X	
K 120030 - 5G	47.8	181	37492	2585	41698	2875	45832	3160	50038	3450	X	
K 120032 - 5G	54.4	206	32996	2275	36622	2525	40321	2780	43946	3030	X	
K 120036 - 5G	68.7	260	26107	1800	29008	2000	31908	2200	34809	2400	X	
K 120040 - 5G	85.1	322	21103	1455	24004	1655	25817	1780	28137	1940	X	
K 120045 - 5G	107.5	407	16679	1150	18565	1280	20378	1405	22191	1530	X	
K 120050 - 5G	132.6	502	13489	930	15011	1035	16534	1140	17985	1240	X	
K 120055 - 5G	160.6	608	11168	770	12401	855	13634	940	14866	1025	X	X
K 120060 - 5G	171.0	723	9355	645	10443	720	11458	790	12473	860	X	X
K 120065 - 5G	224.3	849	7977	550	8847	610	9790	675	10660	735	X	X
K 120070 - 5G	260.2	985	6889	475	7687	530	7687	580	9210	635	X	X
K 120075 - 5G	298.5	1130	6019	415	6672	460	7324	505	7977	550	X	X
K 120080 - 5G	339.7	1286	5294	365	5874	405	6454	445	7034	485		X
K 120085 - 5G	383.6	1452	4641	320	5221	360	5729	395	6237	430		X
K 120090 - 5G	430.1	1628	4206	290	4641	320	5076	350	5584	385		X
K 120095 - 5G	478.9	1813	3771	260	4134	285	4569	315	5004	345		X
K 120100 - 5G	531.0	2010	3408	235	3771	260	4134	285	4496	310		X
K 120110 - 5G	642.5	2432	2756	190	3118	215	3408	235	3699	255		X
K 120120 - 5G	764.5	2894	2321	160	2611	180	2901	200	3118	215		X
K 120130 - 5G	896.9	3395	1958	135	2248	155	2466	170	2683	185		X
K 120140 - 5G	1040.6	3939	1668	115	1886	130	2103	145	2248	155		X

■ =Ultra High Pressure

Subject to change without notice

Pump Dimensions mm(in)



GIANT

Performance Under Pressure
GIANT INDUSTRIES, INC.

900 N. Westwood Ave.
Toledo, Ohio 43607

Phone: (419) 531-4600

Fax: (419) 531-6836

www.giantpumps.com

© Copyright 2019 Giant Industries, Inc.