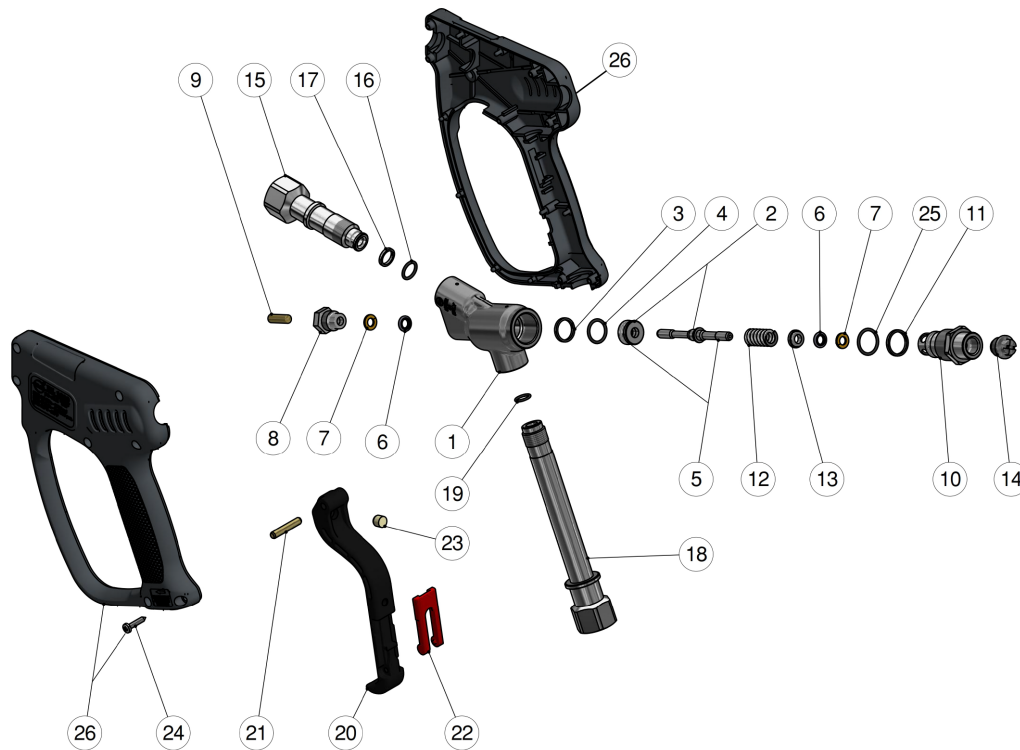


Model 21460

Shut-Off Gun



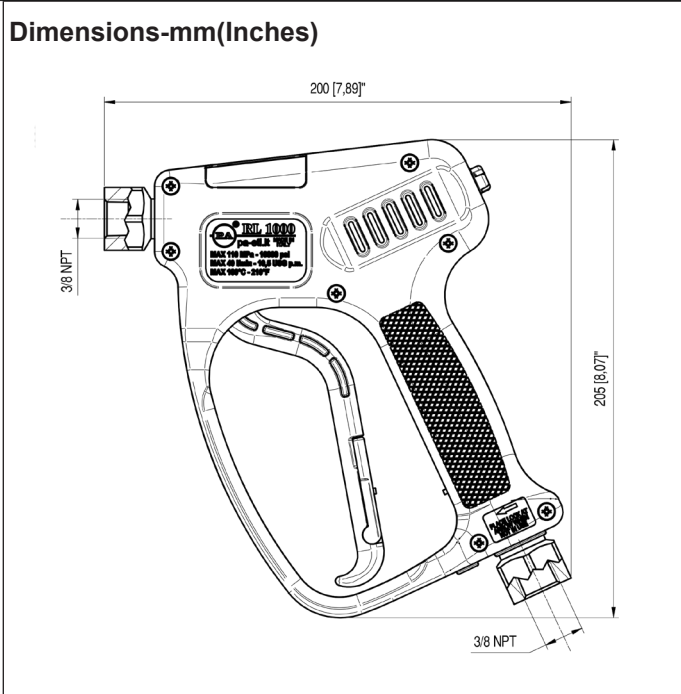
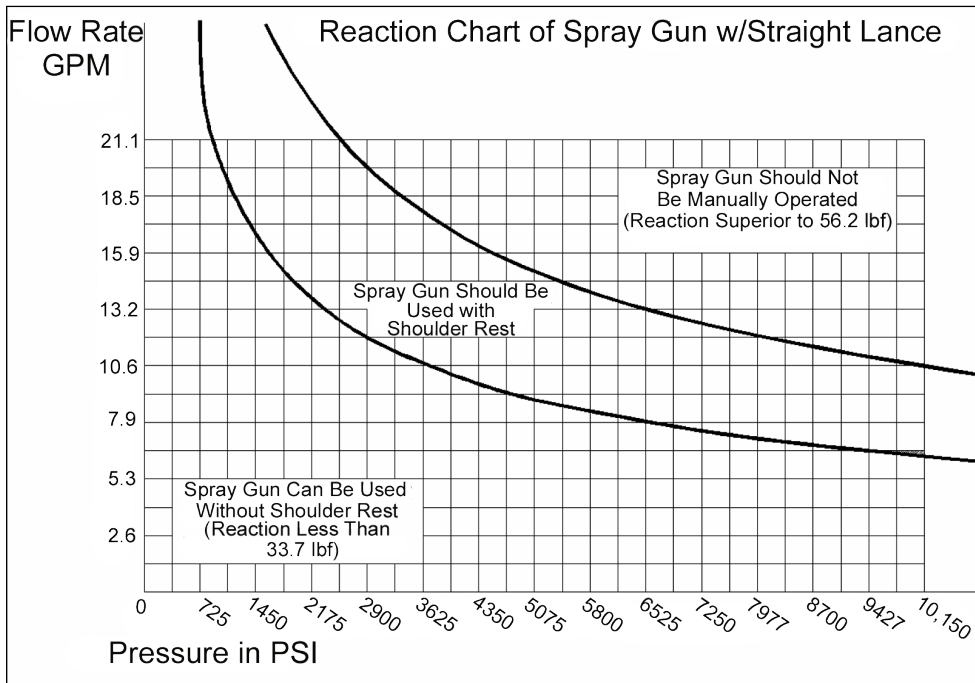
<u>ITEM</u>	<u>PART</u>	<u>DESCRIPTION</u>	<u>QTY.</u>
1	03232	Housing	1
2/5*	03226	Piston/Seat Assembly	1
3*	03229	Back-Up Ring	1
4*	03228	O-Ring	1
6*	03123	Stem Seal	2
7*	03233	Back-Up Ring	2
8	03133	Guide Sleeve	1
9	03134	Control Bolt	1
10	03222	Plug	1
11*	03223	Back-Up Ring	1
12*	03125	Spring	1
13*	03124	Spacer Ring	1
14	04038	Plug	1
15	03236-NPT	Discharge Fitting, 3/8" NPT	1
16*	03234	O-Ring	1
17*	03235	Back-Up Ring	1
18	03230-NPT	Inlet Fitting, 3/8" NPT	1
19*	03231	O-Ring	1
20	03136	Trigger	1
21	05990	Parallel Pin	1
22	04048	Safety Latch	1
23	03227	Cam	1
24	04052	Self-Tapping Screw	7
25*	03224	O-Ring	1
26/27	03237	Housing, Left & Right	1

Operating Specifications:

	<u>U.S.</u>	<u>Metric</u>
Maximum Flow:	10.5 GPM.....	(40 l/min)
Rated Pressure:	15,000 PSI	(1000 Bar)
Permissible Pressure:	16,000 PSI	(1100 Bar)
Maximum Temperature:	212 °F.....	(100 °C)
Inlet:	3/8" FNPT	
Discharge:	3/8" FNPT	

* 09833 Repair Kit

Attention! In order to prevent any risk of **INSTABILITY** of the gun due to pressure spikes, **CHECK** the enclosed **CHART** (below). the use of safety devices (**Shoulder Rest**) in function of the pressure/flow Rate parameters.



GIANT

Performance Under Pressure

Giant Industries, Inc.

900 N. Westwood Ave.

Toledo, Ohio 43607

419-531-4600

FAX 419-531-6836

www.giantpumps.com

© Copyright 2020 Giant Industries, Inc.