

# GIANT

## 2020 Catalog



**PUMPS ■ ACCESSORIES ■ CUSTOM UNITS ■ TOWELS**

**Performance Under Pressure**

## Our Vision, Mission & Core Values

We would like to share our vision, mission and core values with you.

### Our Vision

Giant Industries develops professionals to their full potential by working as a team and partnering with our customers and suppliers to provide superior solutions.

### Our Mission

Giant will create mutually beneficial partnerships with employees, customers and suppliers. In addition, we will supply high pressure pumps, accessories, towels as well as customized solutions. Finally, Giant will positively contribute to our community and the environment.

### Our Core Values

**Ethical** – Doing the right thing

**Trustworthy** – Honest and Reliable

**Accountable** – Responsible for our actions (corporately and individually)

**Respectful** – Courteous interaction with others

**Teamwork** – Working together towards a common cause

**Communication** – Exchange of pertinent information

**Perseverance** – Determination to achieve our Mission

**Motivated** – Driven to accomplish our goals

**Loyalty** – Value our relationships with employees, customers and suppliers

**Quality of Life** – Enjoy our time

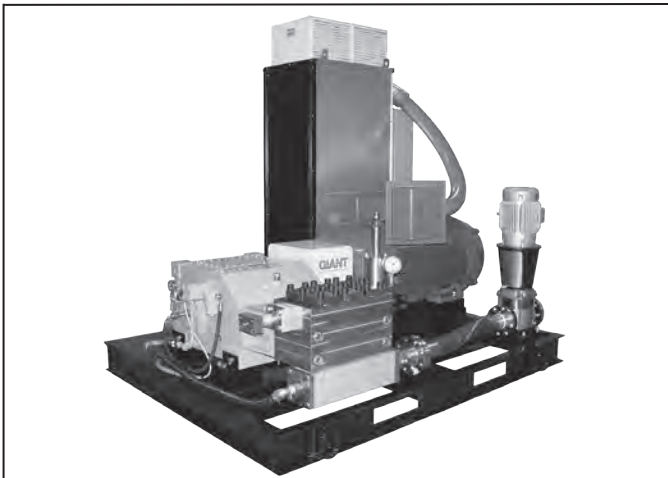
# Giant Offices & Manufacturing Facilities

**S e r v i n g   I n d u s t r y   s i n c e   1 9 7 7**

At Giant Industries we are pursuing the limits of our imagination to bring you tomorrow's technology today -- and we are doing it right here in the United States of America.

From our 90,000 square foot manufacturing and distribution center in Toledo, Ohio, we manufacture and distribute high quality products to serve the needs of industry. Our products can be found in North and South America, Asia, Europe and many other countries throughout the world.

Giant, with our creative partners in Germany, manufactures an exciting line of high pressure, high temperature and high flow pumps operating at less than 1 horsepower to more than 1500 hp.



**Custom Unit (Power Pack) Area**



**New Machine Shop Machines**

Our quality construction and versatility are known throughout the world. We are in every major pump application where extreme operating conditions are required -- including pressure washing, car washing, reverse osmosis, oil field operations, paper mill cleaning and cutting operations, boiler feed, hydrostatic testing, descaling, dust suppression, agriculture, vaporizing, high pressure injection and many others.

# GIANT

Performance Under Pressure

**Giant Industries, Inc.**  
900 N. Westwood Ave.  
Toledo, OH 43607  
(419) 531-4600 - Phone  
(419) 531-6836 - Fax  
[www.giantpumps.com](http://www.giantpumps.com)

Our intense research and development efforts and our competent staff will ensure the performance, support and satisfaction that you deserve for years to come. Our commitment is to bring to you, our customer, the highest quality and most reliable products possible, at the best price.

# TABLE OF CONTENTS

Giant Pumps	Page
Pump Quick Reference Chart.....	4-5
Towels.....	6
Consumer Pumps (GXR, GX2525) .....	8-9
P200 Series .....	10-13
P300 Series .....	14-17
P400 Series .....	19-24
P46, P47, P49 .....	25
P57 .....	26
P54, P58, P59 .....	27
P55, P56.....	28
SP100W, SP200W, SP351W .....	29
MP Series .....	31
P500 Series .....	32-33
LP Series .....	34-43
GP Series .....	44-63
Corrosion Resistant Pumps.....	64-72
High Temperature Pumps.....	74-77
CO <sub>2</sub> Pumps .....	78-80
Machine Tool Pumps .....	81
Bentonite Pumps .....	82
Deionized Water Pumps.....	83
Pentane Pumps.....	84
<b>Accessories</b>	
Shut-Off Guns, Gun Assemblies.....	85-87
Lances, Handles.....	88-89
Rotating Nozzles .....	90-94
Standard Rotating Nozzles	
Oscillating Nozzles	
Hydroexcavating Nozzle	
Sewer Cleaning Nozzles	
Area Cleaner	
Turbo Nozzle Accessories	
Unloaders .....	95-98
Flow Actuated Unloaders.....	99
Regulators .....	100-101
Pump Savers & Safety Devices.....	102-107
Accumulators	
Thermal Relief Valves	
Pop-Off Valves/Safety Valves	
Filter	
Pulsator Valves	
Electric Clutch	
Oil	
Injectors	
Sand Blasting System	
Pressure Switches	
Couplings	
Pressure Gauges	
Foot Valve	
Direct Drive Pump Selection Guide.....	108
Pump Mounting Accessories .....	108-109
Pulley Drive Pumps Mounting Guide.....	110
Giant Power Packs .....	111
Kamat Pumps.....	112-122
Kamat Accessories.....	124-151

# 2020 Giant Pump Quick Reference Chart

Base Pumps Only - For Specialty Applications Refer to Table of Contents  
(Arranged by Flow - Gallons per Minute)

Pump Model	Flow (GPM)	Pressure (PSI)	Speed (RPM)	Page	Pump Model	Flow (GPM)	Pressure (PSI)	Speed (RPM)	Page
P205	0.5	2500	1750	12	P324	4.8	2200	1450	16
P206	0.8	2500	1750	12	P319	4.8	2750	3450	16
P208	1.0	2500	1750	12	P332	4.8	3000	1450	16
P230	1.1	2500	1750	12	P325	4.8	3045	3450	16
P47	1.2	3000	1420	25	GP5114	4.8	17,400	1000	44
P57	1.3	5000	1420	26	P55W	4.9	2320	1420	28
P209	1.5	2500	1750	12	P58	5.0	3500	1450	27
P227	2.1	2500	1750	12	P485	5.3	7250	1450	20
P221	2.3	2500	1750	12	P455B	5.5	4350	1450	21
GXR Series	2.4	2400	3450	8	P450	5.5	5000	1450	21
GX Series	2.5	2500	3450	9	GP5116	5.5	14,500	850	44
P49	2.7	2200	1420	25	P456B	5.8	5100	1725	21
P327	2.9	3500	3450	16	P451	5.8	5100	1725	21
P223	3.0	3000	3450	12	LP900	6.0	8700	1000	34
P414	3.1	10,150	1450	19	P56	6.1	1900	1420	28
P480	3.2	7250	1450	19	P465	6.3	5800	1450	20
P217	3.3	2500	3450	12	P330	6.5	1000	3450	16
LP1000	3.4	15,000	1000	34	P435	6.6	3625	1450	21
P218	3.4	2500	1750	12	SP351W	6.7	3200	1420	29
P317	3.5	3350	1750	16	P59	7.5	1900	1450	27
P323	3.5	3685	1750	16	LP700	7.9	7250	1000	35
P340	3.7	4000	1750	16	LP750	7.9	7250	1000	35
P321	3.8	3500	3450	16	P423	8.2	2900	1450	22
P314	3.8	4000	3450	16	MP4120	8.9	3625	1450	31
P460	3.8	7250	1450	19	SP200	9.6	2175	1420	29
P46W	3.9	2200	1420	25	LP460	9.8	5800	1000	37
P461	3.9	7250	1750	19	LP600	9.8	5800	1000	36
P54W	4.0	4060	1450	27	P422	9.9	3000	1450	22
P328	4.1	3500	3450	16	GP7122	9.9	10,150	750	50
P329	4.1	4000	3450	16	LP605	10.6	6090	1100	38
P219	4.2	2500	1750	12	GP5120	10.6	8700	1000	45
P462	4.6	7250	1750	19	P425	10.7	2465	1450	22
LP800	4.6	11,600	1000	34	SP100W	11.2	2000	1420	29
P220	4.7	2500	1750	12	GP5122	11.9	7250	930	45
P316	4.7	2750	1750	16	LP470	12.2	4640	1000	37
P322	4.7	3000	1750	16	GP7124A-4000	12.7	7250	750	50
P318	4.8	2000	1450	16	P420A	12.8	2175	1450	22

# 2020 Giant Pump Quick Reference Chart

Base Pumps Only - For Specialty Applications Refer to Table of Contents  
(Arranged by Flow - Gallons per Minute)

Pump Model	Flow (GPM)	Pressure (PSI)	Speed (RPM)	Page	Pump Model	Flow (GPM)	Pressure (PSI)	Speed (RPM)	Page
MP4124	12.8	3000	1450	31	GP5142	40.4	1885	800	46
GP6124	12.8	6090	800	48	GP5145	43.5	1450	750	46
GP5124	13.2	5800	850	45	GP6145	46.5	1740	800	49
MP4135	13.5	1885	1100	31	GP7145	47.5	3000	750	54
LP301A	14.2	4000	1000	39	GP8045/8145	48.8	4350	580	60/62
LP400	15.1	3600	1000	40	GP7150	54.4	1900	750	52
MP4130	15.4	2000	1100	31	GP7645	55.5	3000	800	56
P490	15.7	2030	1450	24	GP8048/8148	56.8	3770	580	60/62
LP305	15.9	4060	1100	40	GP7155	65.8	1500	700	52
MP4126	17.9	1600	1100	31	GP7255A	65.8	1500	750	55
GP7128	17.9	5800	750	51	GP7650	69.7	2540	800	56
GP6128	18.0	4350	800	48	GP8055/8155	75.2	2900	580	60/62
P470	18.4	2030	1450	24	GP7655	84.5	2000	800	56
LP200	19.0	2900	1000	41	GP8060/8160	90.0	2465	580	60/62
LP450	19.7	2600	1000	40	GP8065/8165	105.6	2030	580	60/62
GP5128	20.6	4060	1000	46	GP8176	132.0	1500	520	62
LP350	22.6	2300	1000	40					
P533	22.7	2175	1450	32					
GP7132	23.4	4350	750	51	<b>KAMAT PUMPS</b>				
GP6132	23.5	3045	800	49	K100A	1.8*	29,000*	1000	112
P532	24.4	2175	1450	32	K4500	61.3*	30,450*	650	112
LP255	26.0	2175	1000	42	K8000	74.8*	42,775*	530	113
LP250	26.0	2200	1000	41	K9000	74.8*	44,950*	530	113
P536	26.4	1740	1450	32	K10000-3G	118.6*	50,750*	475	114
GP5132	27.7	2900	1000	46	K11000-3G	119.9*	40,020*	435	114
GP7136	28.3	3625	750	51	K13000-3G	131.0*	43,500*	475	115
GP8035/8135	29.0	7250	580	59	K18000-3G	137.9*	50,750*	500	115
LP121A	32.5	1740	1000	41	K20000-3G	252.8*	40,600*	375	116
GP5136	33.8	2320	910	46	K25000-3G	303.3*	46,400*	450	117
LP122A	35.4	1300	800	42	K35000-3G	346.1*	45,675*	440	118
LP123	35.4	1300	800	42	K40000-3G	346.1*	50,750*	440	119
P540	35.4	1450	1450	33	K50000-5G	505.4*	50,750*	450	120
P541	35.4	1450	1450	33	K80000-5G	919.9*	50,750*	440	121
GP6140	36.7	2175	800	49	K120000-5G	1040.6*	50,763	320	122
GP8040/8140	38.0	5510	580	59					
GP7142	38.4	2610	700	52					

\*Maximum flow and pressure given. **Given flows and pressures can not be combined.** Please refer to product page for possible flow and pressure combinations.

## GIANT TOWELS

### Aqua Towel

Strong enough to hold up to heavy wiping.  
Long lasting, highly absorbent, lint free.

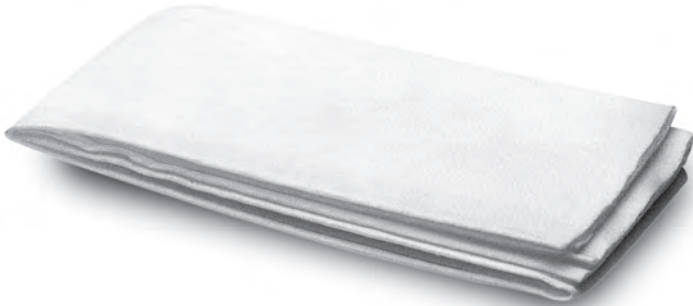
Packed 180 per case  
Shipping weight, 10.11lbs.

**Product #T50BB** (18" x 27")

**Product #T25BB** (18" x 17.5")  
(Wrapped Towel/Lemon Scented)  
Packed 360 per case!



### Super Towel



Luxurious thickness,  
full-bodied towel.

The Giant of all towels.

Packed 180 per case  
Shipping weight, 12lbs.

**Product #T2000S** (19" x 28")

### Moistwipe

One step pre-moistened cloth  
like towel, dries without streaking,  
**NEW!** lemon fresh scent. Will not freeze!

Packed 180 per case  
Shipping weight, 11lbs.

**Product #T-3000** (12" x 12")



Contact your local Giant  
distributor for current pricing.

# **COMMERCIAL**

# **PUMPS**

**(pages 8-17)**





## GXR2224

List Price \$295.00

## GXR2424

List Price \$295.00

**GXR Vertical or Horizontal Pump with Regulator Includes Siphon Injector, Thermal Relief Valve & Engine Mounting Accessories**



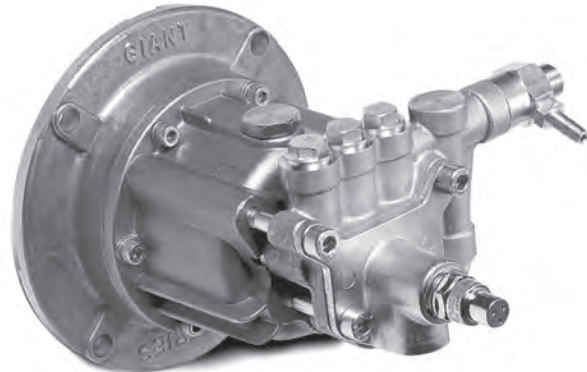
### U.S. (Metric)

#### GXR2224

Flow..... 2.2 GPM.....(8.3 LPM)  
 Pressure.....2400 PSI.....(165 Bar)  
 Speed.....3450 RPM

#### GXR2424

Flow..... 2.4 GPM.....(9.0 LPM)  
 Pressure.....2400 PSI.....(165 Bar)  
 Speed.....3450 RPM



### Common Specifications & Materials

	U.S.	(Metric)
Max Inlet Temp .....	80 °F	(27 °C)
Weight .....	9 lbs.	(4.1 kg)
Inlet Port .....	1/2" NPT	
Discharge Port.....	3/8" NPT	

#### Materials Used

Manifold ..... Brass  
 Plunger ..... Stainless Steel  
 Valves ..... Polyamide  
 Seals..... Nitrile with fabric reinforcing  
 Gear End ..... Aluminum

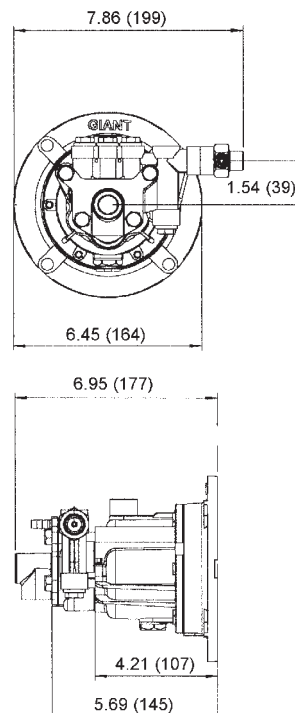
### Repair Kits

Kit	Part Number	List Price
Plunger Packing Kit	09465	\$30.46
Valve Kit	09466	\$11.95
Oil Seal Kit	09468	\$7.85
Regulator Repair Kit	09534	\$10.34

### Mounting Accessories

	Part Number	List Price
Gas Engine (3.62" Bolt Circle)	09103	\$13.97
Electric Motor - (5/8" w/NEMA 56C Face)	09134	\$51.02

### GXR DIMENSIONS - INCHES (mm)



## GX2525

List Price \$320.00

## GX2525A\*

List Price \$365.00

### GX Vertical or Horizontal Pump with Unloader Includes Siphon Injector, Thermal Relief Valve & Engine Mounting Accessories



\* Pump with 7/8" steel shaft - retrofit pump for Ex-cell XR Series pressure washers

	U.S.	(Metric)
--	------	----------

#### GX2525/ GX2525A\*

Flow .....	2.5 GPM.....	(9.5 LPM)
Pressure .....	2500 PSI.....	(172 Bar)
Speed .....	3450 RPM	
Horsepower: .....	4.3 BHP.....	(3.2 kW)



#### Common Specifications & Materials

	U.S.	(Metric)
Max Inlet Temp .....	80 °F .....	(27 °C)
Weight .....	9 lbs. ....	(4.1 kg)
Inlet Port .....	1/2" NPT	
Discharge Port.....	3/8" NPT	

#### Materials Used

Manifold .....	Brass
Plunger .....	Stainless Steel
Valves .....	Polyamide
Seals.....	Nitrile with fabric reinforcing
Gear End .....	Aluminum

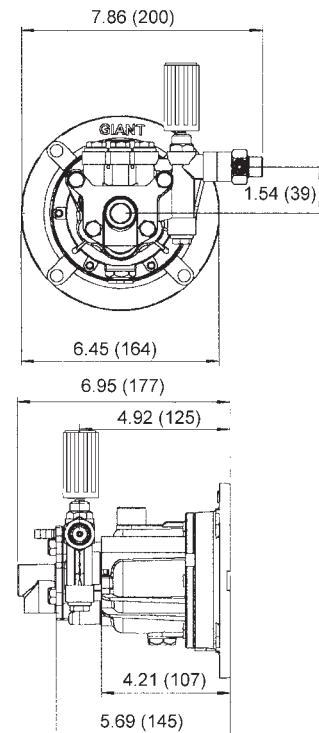
#### Repair Kits

Kit	Part Number	List Price
Plunger Packing Kit	09465	\$30.46
Valve Kit	09466	\$11.95
Oil Seal Kit	09468	\$7.85
Unloader Repair Kit	09467	\$10.89

#### Mounting Accessories

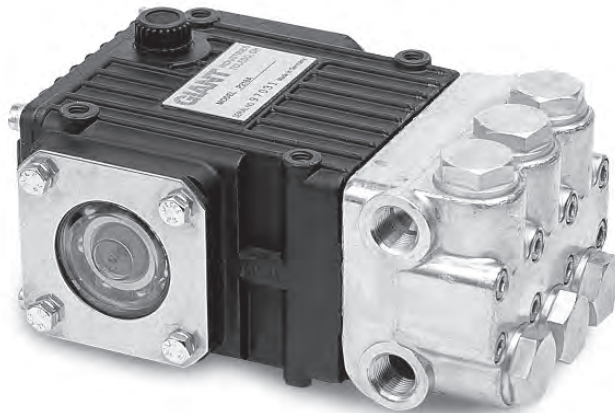
	Part Number	List Price
Gas Engine (3.62" Bolt Circle)	09103	\$13.97
Gas Engine (GX2525A* 3.62" Bolt Circle)	09605	\$19.70
Electric Motor Kit - (5/8" w/ NEMA 56C Face)	09134	\$51.02

#### GX DIMENSIONS - INCHES (mm)



## P200 Series

### Belt Drive



#### Common Specifications & Materials

	U.S.	(Metric)
Max Inlet Temp .....	160 °F	(70 °C)
Weight .....	11.7 lbs.	(5.3 kg)
Inlet Port .....	(2) 1/2" BSP	
Discharge Port.....	(2) 3/8" BSP	

#### Materials Used

Manifold .....	Special Brass
Plunger .....	Solid ceramic oxide
Valves .....	High Grade Stainless Steel
Seals.....	Nitrile with fabric reinforcing
Gear End .....	Aluminum

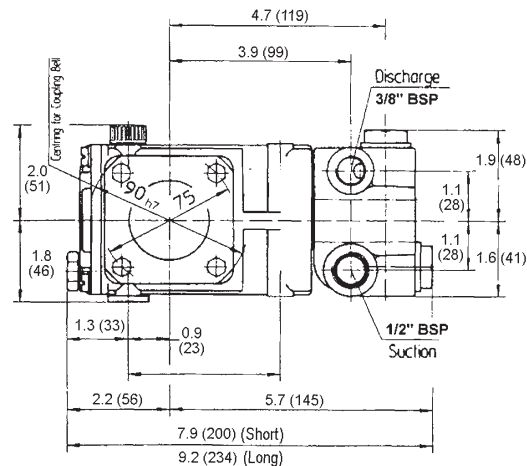
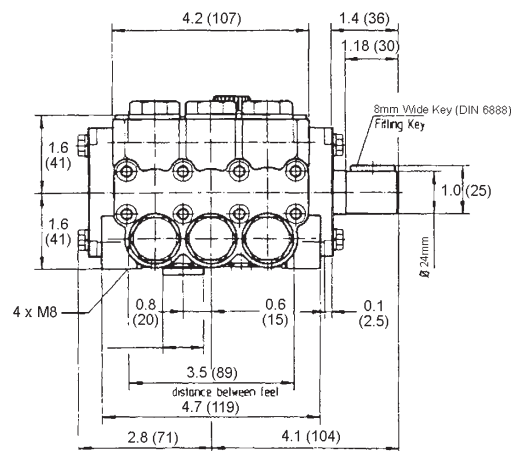
#### P200 Series Repair Kits

Kit	Part Number	List Price
Plunger Packing Kit (12mm)	09152	\$97.81
Plunger Packing Kit (16mm)	09525	\$63.28
Plunger Packing Kit (18mm)	09164	\$94.50
Valve Kit	09116	\$89.43
Oil Seal Kit	09144	\$7.60

#### Belt Drive Mounting Accessories

Bushings	Part Number	List Price
24mm Tapered H Bushing	01074	\$26.50
<b>Plated Steel Channel Rails</b> (L=5.75"xW=1.00"xH=2.50")	01161	\$45.85

#### P200 DIMENSIONS - INCHES (mm)



## P200 Series



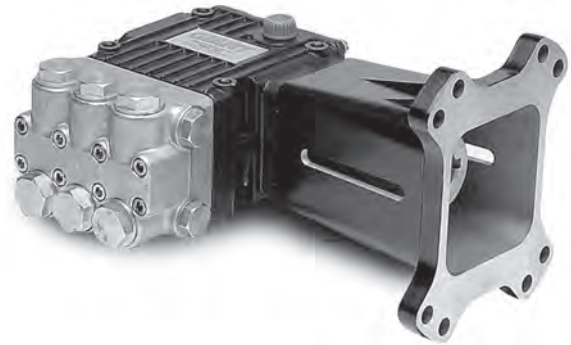
### Electric Drive

(Adapts pump directly to NEMA 56C or NEMA 182TC, 184TC, 213TC & 215TC electric motors)



### Gas Drive

(Adapts pump directly to gasoline engines with either small engines (3.5 - 6.5 HP) with a 3.62" bolt circle or larger engines (8 - 16 HP) with a 6 1/2" bolt circle)



#### Electric Drive Mounting Accessories

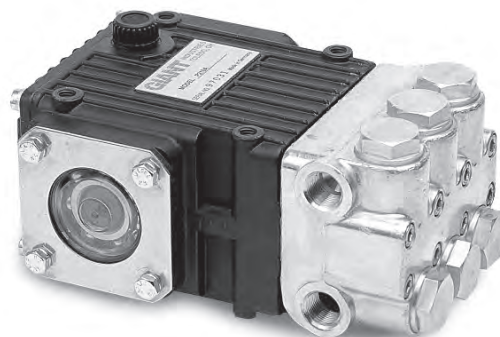
	Part Number	List Price
<b>Electric Bell Flanges</b>		
Fits pump to 56C electric motors	01155	\$28.40
Fits pump to IEC B5 Motor	01130	\$100.00
Fits pump to 182TC, 184TC, 213TC, 215TC electric motors	06495	\$55.80
<b>Hydraulic Kit</b>		
Adapts pump to Hydraulic Motor	HK-P2/300	\$160.00
<b>Couplers</b>		
Aluminum Couplers 24mm x 5/8"	06505-0.6	\$24.20
Aluminum Couplers 24mm x 7/8"	06505-0.8	\$24.20
Aluminum Couplers 24mm x 1-1/8"	06505-1.1	\$24.20
Aluminum Couplers 24mm x 1-3/8"	04393-1.3	\$57.50

#### Gas Drive Mounting Accessories

	Part Number	List Price
<b>Gear Boxes</b>		
Gearbox, 2 3/4" x 1" fits 5" bolt circle, 6.5" bolt circle	08499A	\$473.35
<b>Gas Bell Housings</b>		
Adapts pump to most Honda and Briggs & Stratton 3.5, 4.0, 5.5, 6.5 HP gas engines with a 3.62" bolt circle	01155 + 09103	\$28.40 + \$13.97
Fits gas engines with 6 1/2" bolt circle (fits most Honda and Briggs & Stratton 9 HP engines or higher 30° on top and 45° on bottom)	06478	\$85.00
<b>Couplers</b>		
Aluminum Couplers 24mm x 3/4"	06505-0.7	\$24.20
Aluminum Couplers 24mm x 7/8"	06505-0.8	\$24.20
Aluminum Couplers 24mm x 1"	06505-1.0	\$24.20

## P200 Series

Model	Flow	Pressure Continuous/ Intermittent	Speed	Power Required	Plunger Diameter	Stroke	Price
	GPM (LPM)	PSI (Bar)	RPM	HP (kW)	in (mm)	in (mm)	
P205	0.5 (1.9)	2000 (140) / 2500 (170)	1750	0.86 (0.64)	0.47 (12)	0.13 (3.4)	\$790.00
P206	0.8 (3.0)	2000 (140) / 2500 (170)	1750	1.38 (1.03)	0.47 (12)	0.22 (5.5)	\$790.00
P207	0.9 (3.4)	2000 (140) / 2500 (170)	1750	1.55 (1.16)	0.47 (12)	0.25 (6.3)	\$790.00
P205	0.9 (3.4)	2000 (140)	3450	1.2 (0.9)	0.47 (12)	0.13 (3.4)	\$790.00
P208	1.0 (3.8)	2000 (140) / 2500 (170)	1750	1.72 (1.28)	0.47 (12)	0.28 (7.0)	\$790.00
P230	1.1 (4.2)	2000 (140) / 2500 (170)	1750	1.90 (1.42)	0.71 (18)	0.13 (3.4)	\$790.00
P206	1.5 (5.7)	2000 (140)	3450	2.1 (1.5)	0.47 (12)	0.22 (5.5)	\$790.00
P209	1.5 (5.7)	2000 (140) / 2500 (170)	1750	2.59 (1.93)	0.47 (12)	0.39 (10)	\$790.00
P226	1.5 (5.7)	2000 (140) / 3000 (200)	1750	6.2 (4.6)	0.63 (16)	0.64 (6.3)	\$790.00
P207	1.7 (6.4)	2000 (140)	3450	3.7 (2.8)	0.47 (12)	0.25 (6.3)	\$790.00
P223	1.7 (6.4)	2000 (140) / 3000 (200)	1750	3.5 (2.6)	0.63 (16)	0.64 (6.3)	\$790.00
P217	1.8 (6.8)	2000 (140) / 2500 (170)	1750	3.1 (2.3)	0.71 (18)	0.22 (5.5)	\$790.00
P210	1.8 (6.8)	2000 (140) / 2500 (170)	1750	3.1 (2.3)	0.71 (18)	0.28 (7.0)	\$790.00
P208	1.9 (7.2)	2000 (140) / 2500 (170)	3450	3.7 (2.8)	0.47 (12)	0.28 (7.0)	\$790.00
P230	2.0 (7.6)	2000 (140) / 2500 (170)	3450	3.5 (2.6)	0.71 (18)	0.13 (3.4)	\$790.00
P227	2.1 (8.0)	2000 (140) / 2500 (170)	1750	3.6 (2.7)	0.71 (18)	0.25 (6.3)	\$790.00
P211	2.1 (8.0)	2000 (140) / 2500 (170)	1750	3.6 (2.7)	0.71 (18)	0.28 (7.0)	\$790.00
P221	2.3 (8.9)	2000 (140) / 2500 (170)	1750	4.0 (2.9)	0.71 (18)	0.28 (7.0)	\$790.00
P209	2.7 (10.2)	2000 (140)	3450	6.2 (4.6)	0.63 (16)	0.64 (6.3)	\$790.00
P224	2.8 (10.6)	3000 (200)	3450	5.9 (4.4)	0.71 (18)	0.39 (10)	\$790.00
P223	3.0 (11.4)	2000 (140) / 3000 (200)	3450	6.2 (4.6)	0.63 (16)	0.64 (6.3)	\$790.00
P217	3.3 (12.5)	2000 (140) / 2500 (170)	3450	5.7 (4.3)	0.71 (18)	0.22 (5.5)	\$790.00
P210	3.3 (12.5)	2000 (140)	3450	4.6 (3.4)	0.71 (18)	0.28 (7.0)	\$790.00
P218	3.4 (12.9)	2000 (140) / 2500 (170)	1750	5.9 (4.4)	0.71 (18)	0.39 (10)	\$790.00
P211	3.8 (14.4)	2000 (140)	3450	7.2 (5.4)	0.71 (18)	0.28 (7.0)	\$790.00
P227	3.8 (14.4)	2000 (140) / 2500 (170)	3450	6.6 (4.9)	0.71 (18)	0.25 (6.3)	\$790.00
P219	4.2 (15.9)	2000 (140) / 2500 (170)	1750	7.2 (5.4)	0.71 (18)	0.49 (12.4)	\$790.00
P221	4.2 (15.9)	2000 (140) / 2500 (170)	3450	7.2 (5.4)	0.71 (18)	0.28 (7.0)	\$790.00
P220	4.7 (17.8)	2000 (140) / 2500 (170)	1750	8.1 (6.0)	0.71 (18)	0.56 (14.1)	\$790.00



# P200 Series Numbering Chart

	Pump	LH/RH	DRIVE	SHAFT	BACKEND	UNLOADER	INJECTOR SIZE	THERMAL	OIL
<b>Pump Model</b>	<b>P205</b>	0.5 GPM @ 2000 PSI @ 1750 RPM and 0.9 GPM @ 2500 PSI @ 3450 RPM							
	<b>P206</b>	0.8 GPM @ 2000 PSI @ 1750 RPM and 1.5 GPM @ 2500 PSI @ 3450 RPM							
	<b>P207</b>	0.9 GPM @ 2000 PSI @ 1750 RPM and 1.7 GPM @ 2000 PSI @ 3450 RPM							
	<b>P208</b>	1.0 GPM @ 2000 PSI @ 1750 RPM and 1.9 GPM @ 2500 PSI @ 3450 RPM							
	<b>P230</b>	1.1 GPM @ 2500 PSI @ 1750 RPM and 2.0 GPM @ 2500 PSI @ 3450 RPM							
	<b>P209</b>	1.5 GPM @ 2000 PSI @ 1750 RPM and 2.7 GPM @ 2500 PSI @ 3450 RPM							
	<b>P226</b>	1.5 GPM @ 2000 PSI @ 1750 RPM							
	<b>P223</b>	1.7 GPM @ 2000 PSI @ 1750 RPM and 3.0 GPM @ 3000 PSI @ 3450 RPM							
	<b>P210</b>	1.8 GPM @ 2000 PSI @ 1750 RPM and 3.3 GPM @ 2000 PSI @ 3450 RPM							
	<b>P217</b>	1.8 GPM @ 2000 PSI @ 1750 RPM and 3.3 GPM @ 2500 PSI @ 3450 RPM							
	<b>P228</b>	1.8 GPM @ 3000 PSI @ 1750 RPM							
	<b>P211</b>	2.1 GPM @ 2000 PSI @ 1750 RPM and 3.8 GPM @ 2000 PSI @ 3450 RPM							
	<b>P227</b>	2.1 GPM @ 2500 PSI @ 1750 RPM							
	<b>P221</b>	2.3 GPM @ 2000 PSI @ 1750 RPM and 4.2 GPM @ 2500 PSI @ 3450 RPM							
	<b>P224</b>	2.8 GPM @ 3000 PSI @ 3450 RPM							
<b>P218</b>	3.4 GPM @ 2500 PSI @ 1750 RPM								
<b>P219</b>	4.2 GPM @ 2500 PSI @ 1750 RPM								
<b>P220</b>	4.7 GPM @ 2500 PSI @ 1450 RPM								
<b>Shaft Side</b>	LH Shaft	<b>L</b>							
	RH Shaft	<b>R</b>							
<b>Electric Motor</b>	(56C) 5 7/8" or 5.11" dia.	<b>E1</b>		(1) 01155 / (4) 01176A-1 / (4) 01176-2 (Ass. Parts 06773, (4) 07435)					
	(TC Face) 7 1/4" dia. Bolts	<b>E2</b>		(1) 06495 / (4) 01176A-1 / (4) 01176-2 (Ass. Parts 06773, (4) 07803)					
<b>Gas Motor</b>	(Under 9HP) 3-5/8" dia. Bolts	<b>G1</b>		(1) 01155 / (4) 01176A-1 / (4) 01176-2 (Ass. Parts 06773, (4) 07435 & (1) 09103)					
	(9HP & More) 6.5" dia. Bolts	<b>G2</b>		(1) 06478 / (4) 01176A-1 / (4) 01176-2 (Ass. Parts 06773, (4) 07804 & (4) 13129)					
	(9HP & More) 6.5" dia. Bolts	<b>B1</b>		(1) 08499A				& (4) 13445 if needed	
	(16HP & More) 6.5" dia. Bolts	<b>B2</b>		(1) 08980 or (1) 08981					
<b>Coupler Size</b>	5/8" Aluminum = 06505-0.6	<b>B</b>		(1) 06299 AND (1) 06332 with Each Aluminum Coupler ***** (1) 06332 with each plastic coupler					
	5/8" Delrin = 08494P	<b>I</b>							
	3/4" Aluminum = 06505-0.7	<b>C</b>							
	3/4" Delrin = 08496P	<b>J</b>							
	7/8" Aluminum = 06505-0.8	<b>D</b>							
	24mm Aluminum = 06505-24	<b>M</b>							
	1" Aluminum = 06505-1.0	<b>E</b>							
	1" Delrin = 08485P	<b>K</b>							
	1 1/8" Aluminum = 06505-1.1	<b>F</b>							
	1 1/8" Delrin = 08487P	<b>L</b>							
	1 3/8" Aluminum = 04393-1.3	<b>H</b>							
1 3/8" Delrin = 08489P	<b>N</b>								
<b>Backend</b>	Extended	08302-L(P200)				(4) 01196 / (4) 01176-2			
	Short Backend	08302(P200)		<b>X</b>		(4) 07188 / (4) 01176-2			
<b>Unloader/Regulator</b>	No Unloader/Regulator								
	Unloader/Regulator	23270 (P200)				<b>U or R</b>		For Regulators, add "R"	
	Unloader (Side of Shaft)	23270 (P200)				<b>US or RS</b>		For Regulators, add "R"	
<b>Siphon Injector</b>	1.8mm (Fixed)					23750-1.8		<b>2</b>	
	2.1mm (Fixed)					23750-2.1		<b>3</b>	
	2.3mm (Fixed)					23750-2.3		<b>4</b>	
	1.8mm (Adjustable)					23750-1.8A		<b>6</b>	
	2.1mm (Adjustable)					23750-2.1A		<b>7</b>	
	2.3mm (Adjustable)					23750-2.3A		<b>8</b>	
<b>Thermal</b>	Thermal (Blank if No Thermal Relief Valve)						23422B (1/2")		<b>T</b>
<b>Oil</b>	7.5 ounces for short gear ends / 9.0 ounces for long gear ends								<b>O</b>
<b>NOTE: Pumps without Bell Housing to include (1) 01067 Associated parts</b>									
Method: Follow "shaded" boxes to follow the part number. Corresponding items included, next to the box.									

## P300 Series

### Belt Drive



#### Common Specifications & Materials

	U.S.	(Metric)
Max Inlet Temp .....	160 °F	(71 °C)
Weight .....	16 lbs.	(7.3 kg)
Inlet Port .....	(2) 1/2" BSP	
Discharge Port.....	(2) 3/8" BSP	

#### Materials Used

Manifold.....	Brass
Plunger .....	Solid ceramic oxide
Valves.....	Stainless Steel
Seals.....	Nitrile with fabric reinforcing
Gear End.....	Aluminum

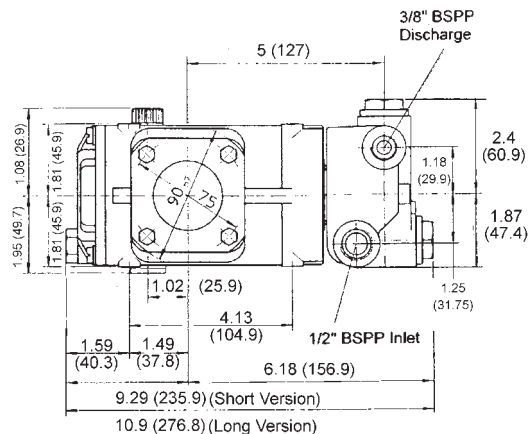
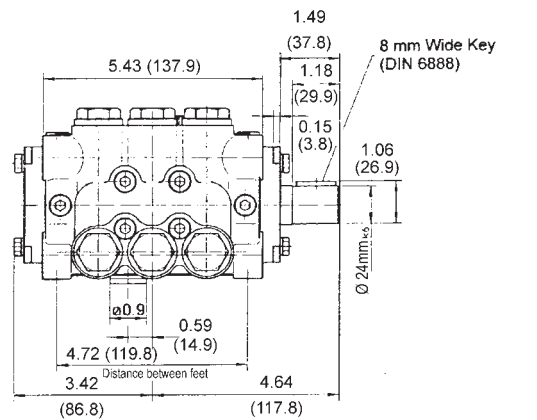
#### P300 Series Repair Kits

Kit	Part Number	List Price
Plunger Packing Kit (12mm) (P314/P321)	09152	\$97.81
Plunger Packing Kit (18mm) (P316/P317/P319/P322/P323/P325)	09119	\$95.98
Plunger Packing Kit (20mm) (P318/P324)	09145	\$80.34
Plunger Packing Kit (16mm) (P340)	09507	\$207.82
Valve Kit	09116	\$89.43
Oil Seal Kit	09144	\$7.60

#### Belt Drive Mounting Accessories

Bushings	Part Number	List Price
24mm Tapered H Bushing	01074	\$26.50
Pulleys		
7.75" Cast Iron 1 gr. - AB	01061	\$121.35
7.75" Cast Iron 2 gr. -AB	01062	\$252.35
Plated Steel Channel Rails		
(L=5.75"xW=1.00"xH=2.50")	01161	\$45.85

#### P300 DIMENSIONS - INCHES (mm)



## P300 Series



### Electric Drive

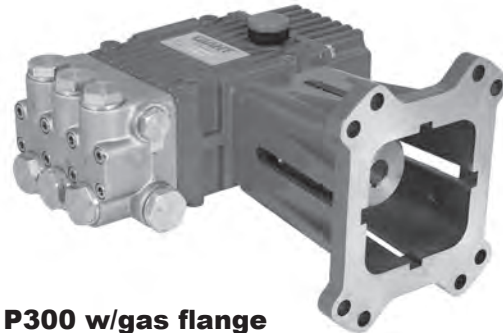
(Adapts pump directly to NEMA 56C or NEMA 182TC, 184TC, 213TC & 215TC electric motors)



**P300 w/electric flange**

### Gas Drive

(Adapts pump directly to gasoline engines with either small engines (3.5 - 6.5 HP) 3.62" with a bolt circle or larger engines (8 - 16 HP) with a 6-1/2" bolt circle)



**P300 w/gas flange**

#### Electric Drive Mounting Accessories

	Part Number	List Price
<b>Electric Bell Flanges</b>		
Fits pump to 56C electric motors	01155	\$28.40
Fits pump to IEC B5 Motor	01130	\$100.00
Fits pump to 182TC, 184TC, 213TC, 215TC electric motors	06495	\$55.80
<b>Hydraulic Kit</b>		
Adapts pump to Hydraulic Motor	HK-P2/300	\$160.00
<b>Couplers</b>		
Aluminum Couplers 24mm x 5/8"	06505-0.6	\$24.20
Aluminum Couplers 24mm x 7/8"	06505-0.8	\$24.20
Aluminum Couplers 24mm x 1-1/8"	06505-1.1	\$24.20
Aluminum Couplers 24mm x 1-3/8"	04393-1.3*	\$57.50
*For applications greater than 5 HP		

#### Gas Drive Mounting Accessories

	Part Number	List Price
<b>Gear Boxes</b>		
Gearbox, 2-3/4" x 1" fits 5" bolt circle, 6.5" bolt circle	08499A	\$473.35
<b>Gas Bell Housings</b>		
Adapts pump to most Honda and Briggs & Stratton 3.5, 4.0, 5.5, 6.5 HP gas engines with a 3.62" bolt circle	01155 +	\$28.40
	09103	\$13.97
Fits gas engines with 6 1/2" bolt circle (fits most Honda and Briggs & Stratton 9 HP engines or higher 30° on top and 45° on bottom)	06478	\$85.00
<b>Couplers</b>		
Aluminum Couplers 24mm x 3/4"	06505-0.7	\$24.20
Aluminum Couplers 24mm x 7/8"	06505-0.8	\$24.20
Aluminum Couplers 24mm x 1"	06505-1.0	\$24.20

*High Temperature Buna-N, Viton and Teflon seals along with Viton, EPDM and Kalrez o-Rings are available for many pump models. Please consult with the factory for any special application requirements.*



## P300 Series

Model	Flow	Pressure Continuous/ Intermittent	Speed	Power Required	Plunger Diameter	Stroke	Price
	GPM (LPM)	PSI (Bar)	RPM	HP (kW)	in (mm)	in (mm)	
P327	2.9 (11.0)	3500 (240) / 4000 (275)	3450	8.0 (6.0)	0.47 (12)	0.42 (10.6)	\$850.00
P317	3.5 (13.3)	3045 (210) / 3350 (230)	1750	8.1 (6.0)	0.71 (18)	0.42 (10.6)	\$830.00
P323	3.5 (13.3)	3685 (255)	1750	9.7 (7.3)	0.71 (18)	0.42 (10.6)	\$850.00
P340	3.7 (14.0)	3500 (240) / 4000 (275)	1750	10.2 (7.6)	0.63 (16)	0.63 (14.1)	\$850.00
P321	3.8 (14.4)	3200 (220) / 3500 (240)	3450	9.2 (6.9)	0.47 (12)	0.56 (14.1)	\$830.00
P314	3.8 (14.4)	3500 (240) / 4000 (275)	3450	9.2 (6.9)	0.47 (12)	0.56 (14.1)	\$850.00
P316	4.0 (15.1)	3045 (210) / 3350 (230)	1450	9.2 (6.9)	0.71 (18)	0.56 (14.1)	\$830.00
P322	4.0 (15.1)	3500 (240)	1450	9.7 (7.2)	0.71 (18)	0.56 (14.1)	\$850.00
P328	4.1 (15.5)	3200 (220) / 3500 (240)	3450	9.9 (7.4)	0.63 (16)	0.31 (8.0)	\$830.00
P329	4.1 (15.5)	3500 (240) / 4000 (275)	3450	11.3 (8.4)	0.63 (16)	0.31 (8.0)	\$850.00
P316	4.7 (17.8)	2500 (170) / 2750 (190)	1750	9.2 (6.9)	0.71 (18)	0.56 (14.1)	\$830.00
P322	4.7 (17.8)	3000 (200)	1750	9.7 (7.2)	0.71 (18)	0.56 (14.1)	\$850.00
P318	4.8 (18.3)	2000 (140)	1450	6.6 (4.9)	0.79 (20)	0.56 (14.1)	\$915.00
P324	4.8 (18.2)	2200 (150)	1450	7.3 (5.4)	0.79 (20)	0.56 (14.1)	\$935.00
P319	4.8 (18.2)	2500 (170) / 2750 (190)	3450	9.1 (7.0)	0.71 (18)	0.31 (8.0)	\$830.00
P332	4.8 (18.2)	3000 (200)	1450	9.9 (7.4)	0.71 (18)	0.63 (16)	\$945.00
P325	4.8 (18.2)	3045 (210)	3450	10.1 (7.5)	0.71 (18)	0.31 (8.0)	\$850.00
P318	5.8 (22.0)	1000 (70)	1750	6.7 (5.0)	0.79 (20)	0.56 (14.1)	\$915.00
P324	5.8 (22.0)	1100 (75)	1450	7.3 (5.5)	0.79 (20)	0.56 (14.1)	\$935.00
P330	6.5 (24.7)	1000 (70)	3450	4.5 (3.3)	0.79 (20)	0.31 (8.0)	\$830.00



# P300 Series Numbering Chart

	Pump	LH/RH	DRIVE	SHAFT	BACKEND	UNLOADER	INJECTOR SIZE	THERMAL	OIL
<b>Pump Model</b>	<b>P327</b>	2.9 GPM @ 3500 PSI (4000 PSI*) @ 3450 RPM							
	<b>P317</b>	3.5 GPM @ 3045 PSI (3350 PSI*) @ 1750 RPM							
	<b>P323</b>	3.5 GPM @ 3685 PSI @ 1750 RPM							
	<b>P340</b>	3.7 GPM @ 3500 PSI (4000 PSI*) @ 1750 RPM							
	<b>P321</b>	3.8 GPM @ 3200 PSI (3500 PSI*) @ 3450 RPM							
	<b>P314</b>	3.8 GPM @ 3500 PSI (4000 PSI*) @ 3450 RPM							
	<b>P316</b>	4.0 GPM @ 3045 PSI (3350 PSI*) @ 1450 RPM and 4.7 GPM @ 2500 PSI (2750 PSI*) @ 1750 RPM							
	<b>P322</b>	4.0 GPM @ 3500 PSI @ 1450 RPM and 4.7 GPM @ 3000 PSI @ 1750 RPM							
	<b>P328</b>	4.1 GPM @ 3200 PSI (3500 PSI*) @ 3450 RPM							
	<b>P329</b>	4.1 GPM @ 3500 PSI (4000 PSI*) @ 3450 RPM							
	<b>P318</b>	4.8 GPM @ 2000 PSI @ 1450 RPM and 5.8 GPM @ 1000 PSI @ 1750 RPM							
	<b>P324</b>	4.8 GPM @ 2200 PSI @ 1450 RPM and 5.8 GPM @ 1100 PSI @ 1750 RPM							
	<b>P319</b>	4.8 GPM @ 2500 PSI (2750 PSI*) @ 3450 RPM							
	<b>P332</b>	4.8 GPM @ 3000 PSI @ 1450 RPM							
	<b>P325</b>	4.8 GPM @ 3045 PSI @ 3450 RPM							
<b>P330</b>	6.5 GPM @ 1000 PSI @ 3450 RPM								
<b>Shaft Side</b>	LH Shaft	<b>L</b>							
	RH Shaft	<b>R</b>							
<i>*Intermittent duty</i>									
<b>Electric Motor</b>	(56C) 5 7/8" or 5.11" dia.		<b>E1</b>	(1) 01155 / (4) 01176A-1 / (4) 01176-2 (Ass. Parts 06773, (4) 07435)					
	(TC Face) 7 1/4" dia. Bolts		<b>E2</b>	(1) 06495 / (4) 01176A-1 / (4) 01176-2 (Ass. Parts 06773, (4) 07803)					
<b>Gas Motor</b>	(Under 9HP) 3-5/8" dia. Bolts		<b>G1</b>	(1) 01155 / (4) 01176A-1 / (4) 01176-2 (Ass. Parts 06773, (4) 07435 & (1) 09103)					
	(9HP & More) 6.5" dia. Bolts		<b>G2</b>	(1) 06478 / (4) 01176A-1 / (4) 01176-2 (Ass. Parts 06773, (4) 07804 & (4) 13129)					
	(9HP & More) 6.5" dia. Bolts		<b>B1</b>	(1) 08499A			& (4) 13445 if needed		
	(16HP & More) 6.5" dia. Bolts		<b>B2</b>	(1) 08980 or (1) 08981					
<b>Coupler Size</b>	5/8" Aluminum = 06505-0.6		<b>B</b>	(1) 06299 AND (1) 06332 with Each Aluminum Coupler ***** (1) 06332 with each plastic coupler					
	5/8" Delrin = 08494P		<b>I</b>						
	3/4" Aluminum = 06505-0.7		<b>C</b>						
	3/4" Delrin = 08496P		<b>J</b>						
	7/8" Aluminum = 06505-0.8		<b>D</b>						
	24mm Aluminum = 06505-24		<b>M</b>						
	1" Aluminum = 06505-1.0		<b>E</b>						
	1" Delrin = 08485P		<b>K</b>						
	1 1/8" Aluminum = 06505-1.1		<b>F</b>						
	1 1/8" Delrin = 08487P		<b>L</b>						
1 3/8" Aluminum = 04393-1.3		<b>H</b>							
1 3/8" Delrin = 08489P		<b>N</b>							
<b>Backend</b>	Extended 08410-LG (P300)					(4) 01196 / (4) 01176-2			
	Short Backend 08410B (P300)			<b>X</b>		(4) 07188 / (4) 01176-2			
<b>Unloader/Regulator</b>	No Unloader/Regulator								
	Unloader/Regulator			23280 (P300)		<b>U or R</b>		For Regulators, add "R"	
	Unloader (Side of Shaft)			23280 (P300)		<b>US or RS</b>		For Regulators, add "R"	
<b>Siphon Injector</b>	1.8mm (Fixed)					23750-1.8	<b>2</b>		
	2.1mm (Fixed)					23750-2.1	<b>3</b>		
	2.3mm (Fixed)					23750-2.3	<b>4</b>		
	1.8mm (Adjustable)					23750-1.8A	<b>6</b>		
	2.1mm (Adjustable)					23750-2.1A	<b>7</b>		
2.3mm (Adjustable)					23750-2.3A	<b>8</b>			
<b>Thermal</b>	Thermal (Blank if No Thermal and Pulsator Valve)					23422B (1/2")		<b>T</b>	
<b>Pulsator</b>	Pulsator (Blank if No Pulsator Valve)							<b>P</b>	
<b>NOTE: Pumps without Bell Housing to include (1) 01067 Associated parts</b>									
Method: Follow "shaded" boxes to follow the part number. Corresponding items included, next to the box.									

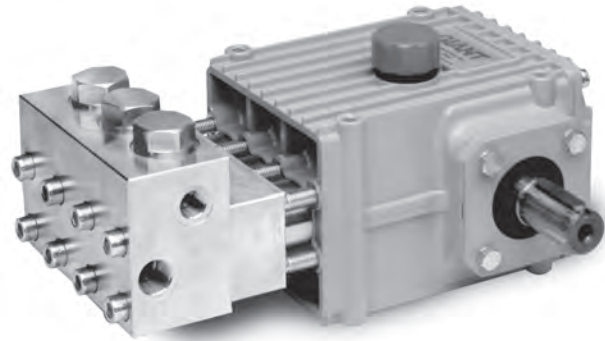
**COMMERCIAL  
DIRECT DRIVE/  
PULLEY  
PUMPS  
(pages 19-29)**

## P414, P480, P460, P461 & P462

Model	Flow	Pressure	Speed	Power Required	Plunger Diameter	Stroke	Price
	GPM (LPM)	PSI (Bar)	RPM	HP (kW)	in (mm)	in (mm)	
P414	3.1 (11.8)	10,150 (700)	1450	21.7 (16.2)	0.55 (14)	0.94 (24)	\$7,365.00
P480	3.2 (12.3)	7250 (500)	1450	16.0 (11.9)	0.55 (14)	0.79 (20)	\$5,220.00
P460	3.8 (14.5)	7250 (500)	1450	19.0 (14.2)	0.55 (14)	0.94 (24)	\$5,220.00
P461	3.9 (14.6)	7250 (500)	1750	19.5 (14.5)	0.55 (14)	0.79 (20)	\$4,240.00
P462	4.6 (17.5)	7250 (500)	1750	23.0 (17.2)	0.55 (14)	0.94 (24)	\$4,240.00

### Common Specifications & Materials

	U.S.	(Metric)
Max Inlet Temp .....	104 °F	(40 °C)
Weight .....	46 lbs.	(21 kg)
Inlet Port .....	(2) 1/2" BSP	
Discharge Port.....	(2) 3/8" BSP	
<b>Materials Used</b>		
Manifold (P414/P460/P480) .....	Stainless Steel	
Manifold (P461/P462).....	Brass	
Plunger .....	Solid ceramic oxide	
Valves .....	High Grade Stainless Steel	
Seals.....	Nitrile with fabric reinforcing	
Gear End .....	Aluminum	



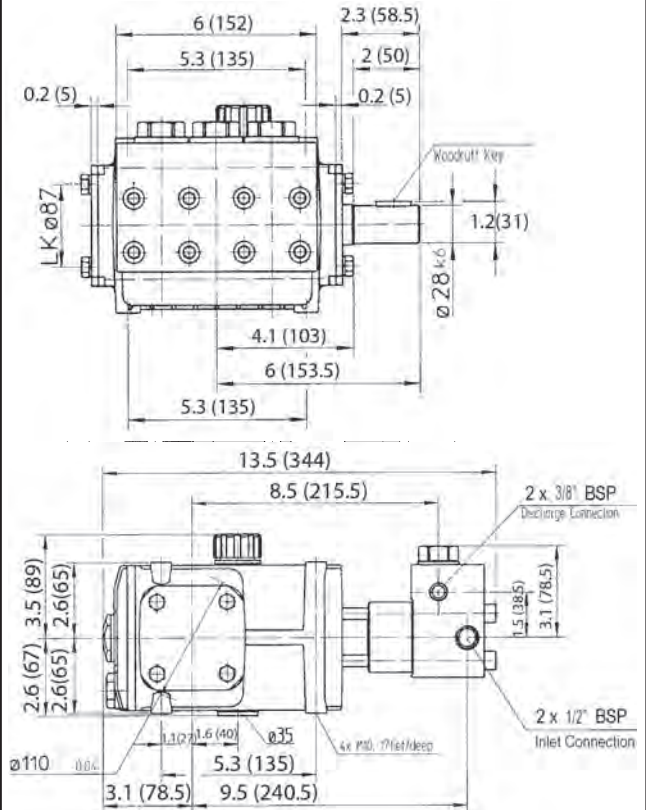
### Repair Kits

Kit	Part Number	List Price
Plunger Packing Kit (P460/P480/P414)	09499	\$411.42
Plunger Packing Kit (P461/P462)	09799	\$352.29
Valve Kit(P460/P480/P414)	09498	\$325.86
Valve Kit(P461/P462)	09781	\$332.37
Oil Seal Kit (P460/P461/P414)	09306	\$32.99
Oil Seal Kit (P461/P462)	09641	\$22.52

### Mounting Accessories

	Part Number	List Price
<b>Bushings</b>		
28mm Tapered H Bushing	07175	\$22.30
<b>Pulleys</b>		
9.75" Cast Iron 2 gr. -AB	01055	\$298.70
7.75" Cast Iron 2 gr. -AB	01062	\$252.35
<b>Plated Steel Channel Rails</b> (L=9.18"xW=1.88"xH=3.00")	07358	\$70.50

### P414/P460/P461/P462/P480 DIMENSIONS - INCHES (mm)

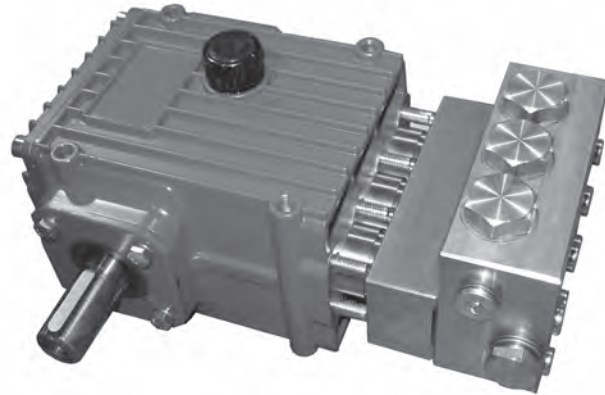


## P465, P465-4000, P485 & P485-4000

Model	Flow	Pressure	Speed	Power Required	Plunger Diameter	Stroke	Price
	GPM (LPM)	PSI (Bar)	RPM	HP (kW)	in (mm)	in (mm)	
P485	5.3 (19.9)	7250 (500)	1450	26.3 (19.6)	0.71 (18)	0.79 (20)	\$4,240.00
P485-4000	5.3 (19.9)	7250 (500)	1450	26.3 (19.6)	0.71 (18)	0.79 (20)	\$6,220.00
P465	6.3 (23.9)	5800 (400)	1450	25.2 (18.8)	0.71 (18)	0.94 (24)	\$4,240.00
P465-4000	6.3 (23.9)	5800 (400)	1450	25.2 (18.8)	0.71 (18)	0.94 (24)	\$6,220.00

### Common Specifications & Materials

	U.S.	(Metric)
Max Inlet Temp .....	104 °F	(40 °C)
Weight .....	37.5 lbs.	(17 kg)
Inlet Port .....	(2) 1/2" BSP	
Discharge Port.....	(2) 3/8" BSP	
<b>Materials Used</b>		
Manifold (P465/P485).....	Extruded Brass	
Manifold (P465-0400/P485-0400).....	Stainless Steel	
Plunger .....	Solid ceramic oxide	
Valves .....	High Grade Stainless Steel	
Seals.....	Nitrile with fabric reinforcing	
Gear End .....	Aluminum	



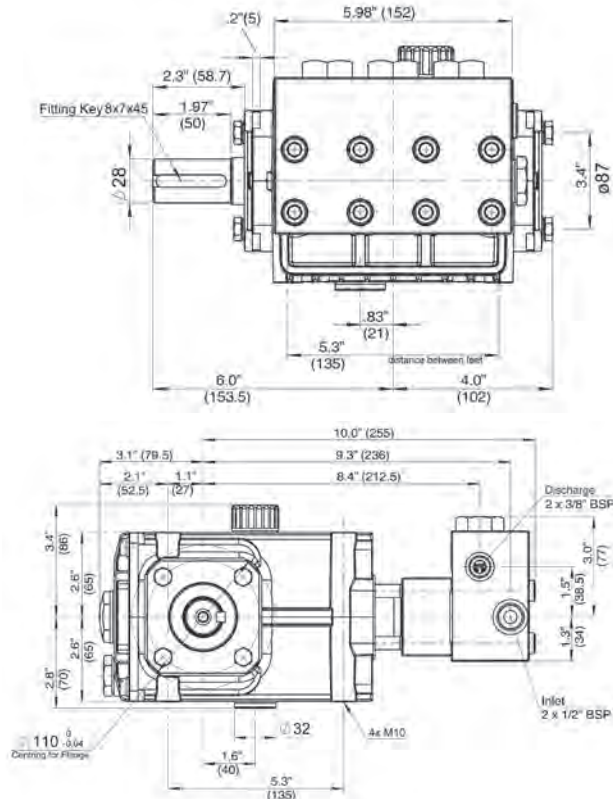
### Repair Kits

Kit	Part Number	List Price
Plunger Packing Kit	09640	\$311.94
Valve Kit	09647	\$366.49
Oil Seal Kit	09641	\$22.52

### Mounting Accessories

	Part Number	List Price
<b>Bushings</b>		
28mm Tapered H Bushing	07175	\$22.30
<b>Pulleys</b>		
9.75" Cast Iron 2 gr. -AB	01055	\$298.70
7.75" Cast Iron 2 gr. -AB	01062	\$252.35
<b>Plated Steel Channel Rails</b> (L=9.18"xW=1.88"xH=3.00")		
	07358	\$70.50

### P465/P485 DIMENSIONS - INCHES (mm)

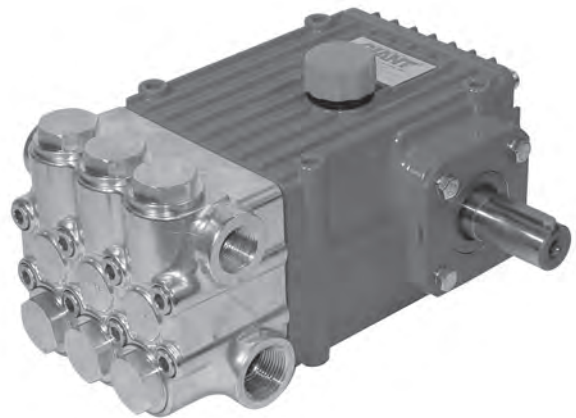


## P450, P451, P455B & P456B

Model	Flow	Pressure Continuous/ Intermittent	Speed	Power Required	Plunger Diameter	Stroke	Price
	GPM (LPM)	PSI (Bar)	RPM	HP (kW)	in (mm)	in (mm)	
P455B	5.5 (20.8)	4350 (300) / 5100 (350)	1450	19.3 (14.4)	0.71 (18)	0.79 (20)	\$2,610.00
P450	5.5 (20.8)	5000 (345)	1450	18.9 (14.1)	0.71 (18)	0.79 (20)	\$4,140.00
P456B	5.8 (22.0)	4350 (300) / 5100 (350)	1725	20.1 (15.0)	0.71 (18)	0.71 (18.2)	\$4,140.00
P451	5.8 (22.0)	5100 (352)	1725	20.4 (15.2)	0.71 (18)	0.71 (18.2)	\$4,355.00
P435	6.6 (25.0)	3625 (250)	1450	16.5 (12.3)	0.71 (18)	0.94 (24)	\$2,760.00

### Common Specifications & Materials

	U.S.	(Metric)
Max Inlet Temp .....	160 °F	(70 °C)
Weight .....	38.3 lbs.	(17.4 kg)
<b>Materials Used</b>		
Manifold (P450/P451).....	Bronze	
Manifold (P455B/P456B/P435).....	Forged Brass	
Plunger .....	Solid ceramic oxide	
Valves .....	High Grade Stainless Steel	
Seals.....	Nitrile with fabric reinforcing	
Gear End .....	Aluminum	



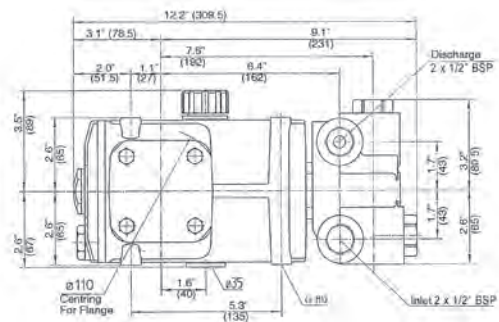
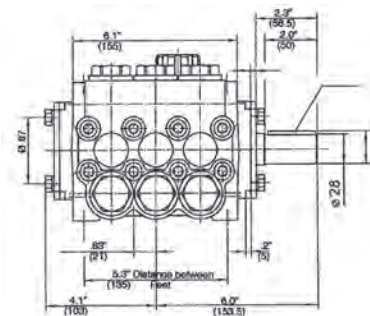
### Repair Kits

Kit	Part Number	List Price
Plunger Packing Kit	09141	\$115.83
Valve Kit (P435, P455B, P456B)	09644	\$453.05
Valve Kit (P450, P451)	09770	\$328.81
Oil Seal Kit	09641	\$22.52

### Mounting Accessories

	Part Number	List Price
<b>Bushings</b>		
28mm Tapered H Bushing	07175	\$22.30
<b>Pulleys</b>		
9.75" Cast Iron 2 gr. -AB	01055	\$298.70
7.75" Cast Iron 2 gr. -AB	01062	\$252.35
<b>Plated Steel Channel Rails</b> (L=9.18"xW=1.88"xH=3.00")		
	07358	\$70.50

### P435, P450, P451, P455, P456 INCHES (mm)

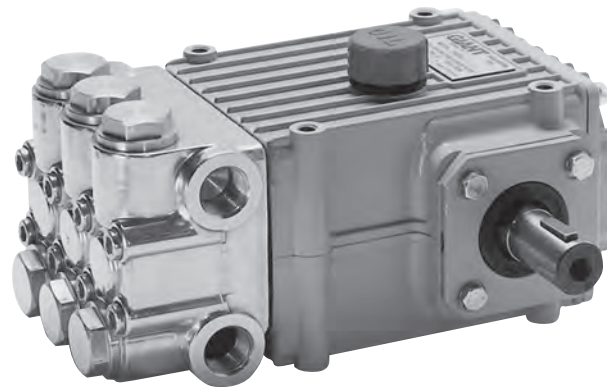


## P420, P422, P423 & P425

Model	Flow	Pressure Continuous/ Intermittent	Speed	Power Required	Plunger Diameter	Stroke	Price
	GPM (LPM)	PSI (Bar)	RPM	HP (kW)	in (mm)	in (mm)	
P423	8.2 (31.1)	2900 (200)	1450	16.4 (12.2)	0.87 (22)	0.79 (20)	\$2,610.00
P422	9.9 (37.3)	2600 (180) / 3000 (200)	1450	20.5 (15.3)	0.87 (22)	0.94 (24)	\$2,610.00
P425	10.7 (40.4)	2465 (170)	1450	18.2 (13.6)	0.98 (25)	0.79 (20)	\$2,610.00
P420A	12.8 (48.4)	2175 (150)	1450	19.2 (14.3)	0.98 (25)	0.94 (24)	\$2,610.00

### Common Specifications & Materials

	U.S.	(Metric)
Max Inlet Temp .....	160 °F	(70 °C)
Weight .....	38.3 lbs.	(17.4 kg)
Inlet Port .....	(2) 1" NPT	
Discharge Port.....	(2) 3/4" NPT	
<b>Materials Used</b>		
Manifold Material .....	Forged Brass	
Plunger .....	Solid ceramic oxide	
Valves .....	High Grade Stainless Steel	
Seals.....	Nitrile with fabric reinforcing	
Gear End .....	Aluminum	



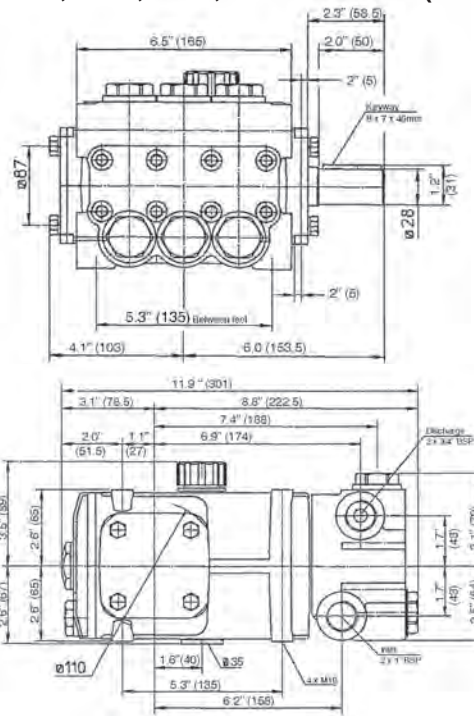
### Repair Kits

Kit	Part Number	List Price
Plunger Packing Kit (P420, P425)	09140	\$194.20
Plunger Packing Kit (P422, P423)	09295	\$269.30
Valve Kits	09143	\$433.72
Oil Seal Kit	09641	\$22.52

### Mounting Accessories

	Part Number	List Price
<b>Bushings</b>		
28mm Tapered H Bushing	07175	\$22.30
<b>Pulleys</b>		
9.75" Cast Iron 2 gr. -AB	01055	\$298.70
7.75" Cast Iron 2 gr. -AB	01062	\$252.35
<b>Plated Steel Channel Rails</b> (L=9.18"xW=1.88"xH=3.00")		
	07358	\$70.50

### P420, P422, P423, P425 - INCHES (mm)

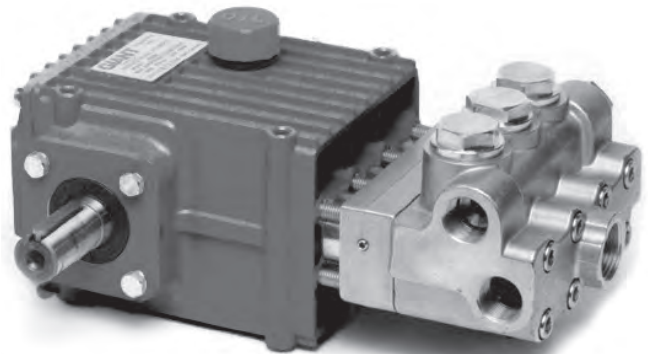


## P400HP Series

Model	Flow	Pressure	Speed	Power Required	Plunger Diameter	Stroke	Price
	GPM (LPM)	PSI (Bar)	RPM	HP (kW)	in (mm)	in (mm)	
P423HP	8.2 (31.0)	4060 (280)	1450	23.0 (17.2)	0.87 (22)	0.79 (20)	\$3,300.00
P422HP	10.0 (38.0)	4060 (280)	1450	28.0 (20.9)	0.87 (22)	0.94 (24)	\$3,300.00
P425HP	10.7 (40.5)	3045 (210)	1450	22.5 (16.8)	0.98 (25)	0.79 (20)	\$3,300.00
P420HP	13.0 (49.2)	3045 (210)	1450	27.3 (20.4)	0.98 (25)	0.94 (24)	\$3,300.00
P426HP	14.3 (54.0)	2900 (200)	1450	28.6 (21.3)	1.02 (26)	0.97 (24.6)	\$3,900.00

### Common Specifications & Materials

	U.S.	(Metric)
Max Inlet Temp .....	160 °F	(70 °C)
Weight .....	42 lbs.	(19 kg)
Inlet Port .....	(1) 1" BSP, (2) 3/4" BSP	
Discharge Port.....	(2) 3/4" BSP	
<b>Materials Used</b>		
Manifold.....	Forged Brass	
Plunger .....	Solid ceramic oxide	
Valves.....	High Grade Stainless Steel	
Seals.....	Nitrile with fabric reinforcing	
Gear End .....	Aluminum	



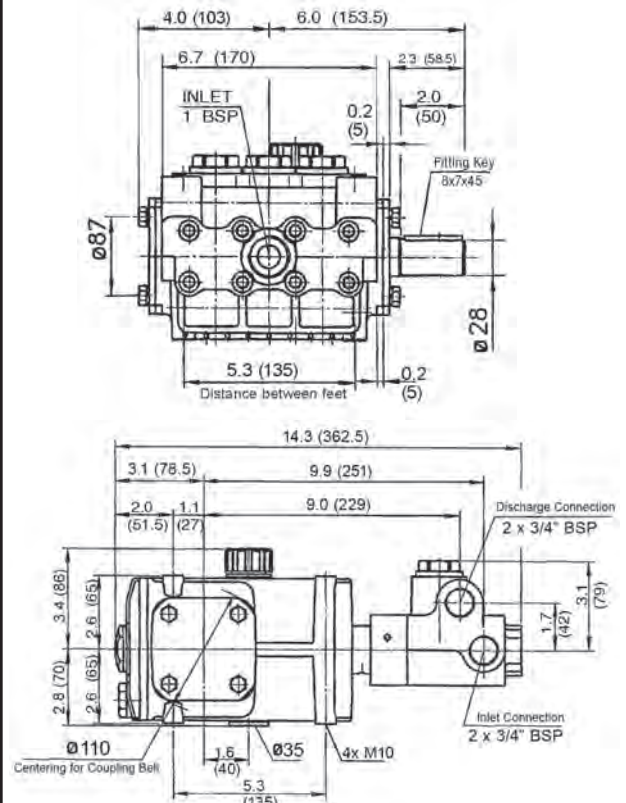
### Repair Kits

Kit	Part Number	List Price
Plunger Packing Kit (P422HP, P423HP)	09722	\$291.74
Plunger Packing Kit (P420HP, P425HP)	09723	\$201.89
Valve Kits	09724	\$583.51
Oil Seal Kit	09641	\$22.52

### Mounting Accessories

	Part Number	List Price
<b>Bushings</b>		
28mm Tapered H Bushing	07175	\$22.30
<b>Pulleys</b>		
9.75" Cast Iron 2 gr. -AB	01055	\$298.70
7.75" Cast Iron 2 gr. -AB	01062	\$252.35
<b>Plated Steel Channel Rails</b> (L=9.18"xW=1.88"xH=3.00")		
	07358	\$70.50

### P400HP Series - INCHES (mm)



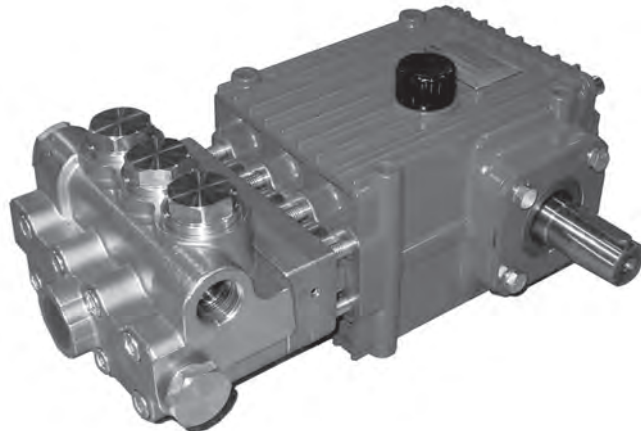


## P490, P490-7000, P470 & P470-7000

Model	Flow	Pressure	Speed	Power Required	Plunger Diameter	Stroke	Price
	GPM (LPM)	PSI (Bar)	RPM	HP (kW)	in (mm)	in (mm)	
P490	15.7 (59.4)	2030 (140)	1450	22.0 (16.4)	1.18 (30)	0.79 (20)	\$3,300.00
P490-7000	15.7 (59.4)	2030 (140)	1450	22.0 (16.4)	1.18 (30)	0.79 (20)	\$3,780.00
P470	18.4 (69.7)	2030 (140)	1450	25.8 (19.2)	1.18 (30)	0.94 (24)	\$3,300.00
P470-7000	18.4 (69.7)	2030 (140)	1450	25.8 (19.2)	1.18 (30)	0.94 (24)	\$3,780.00

### Common Specifications & Materials

	U.S.	(Metric)
Max Inlet Temp .....	160 °F.....	(70 °C)
Weight .....	39.7 lbs. ....	(18 kg)
Inlet Port .....	(2) 3/4" & 1" BSP	
Discharge Port.....	(2) 3/4" BSP	
Manifold (P470/P490).....	Brass	
Manifold (P470-7000/P490-7000) .....	Nickel-Plated Brass	
Plunger .....	Solid ceramic oxide	
Valves .....	Stainless Steel	
Seals.....	Nitrile with fabric reinforcing	
Gear End .....	Aluminum	



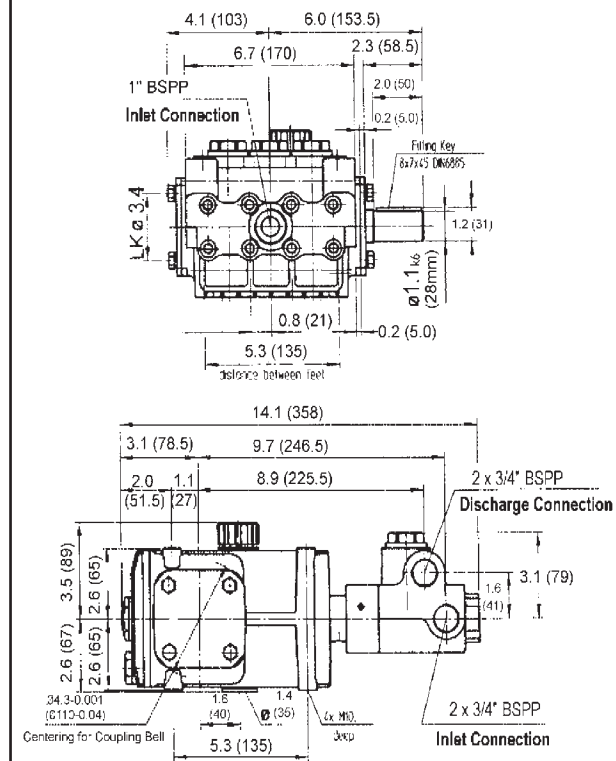
### Repair Kits

Kit	Part Number	List Price
Plunger Packing Kit	09565	\$348.49
Valve Kit	09566	\$741.59
Oil Seal Kit	09306	\$32.99

### Mounting Accessories

	Part Number	List Price
<b>Bushings</b>		
28mm Tapered H Bushing	07175	\$22.30
<b>Plated Steel Channel Rails</b>		
(L=9.18"xW=1.88"xH=3.00" 07358	07358	\$70.50

### P470 / P490 - INCHES (mm)



## P47, P46 & P46W

Model	Flow	Pressure	Speed	Power Required	Plunger Diameter	Stroke	Price
	GPM (LPM)	PSI (Bar)	RPM	HP (kW)	in (mm)	in (mm)	
P47	1.2 (4.7)	3000 (200)	1420	2.5 (1.9)	0.47 (12)	0.49 (12.4)	\$1,795.00
P49	2.7 (10.2)	2200 (150)	1420	4.1 (3.1)	0.71 (18)	0.41 (10.0)	\$1,340.00
P46W	3.9 (14.7)	2200 (150)	1420	5.9 (4.4)	0.71 (18)	0.56 (14.1)	\$1,525.00

### Common Specifications & Materials

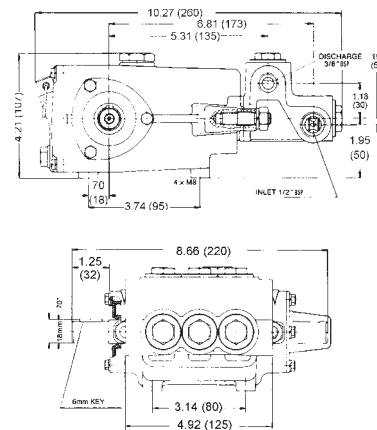
	U.S.	(Metric)
Max Inlet Temp .....	160 °F	(70 °C)
Weight .....	13.9 lbs.	(6.3 kg)
Inlet Port .....	(2) 1/2" BSP	
Outlet Port .....	(2) 3/8" BSP	
<b>Materials Used</b>		
Plunger .....	Solid ceramic oxide	
Valves .....	High Grade Stainless Steel	
Seals .....	Nitrile with fabric reinforcing	
Gear End .....	Aluminum	



### Mounting Accessories

	Part Number	List Price
<b>Bushings</b>		
18mm Tapered H Bushing	01065	\$26.05
<b>Pulley &amp; Sheaves</b>		
7.75" Cast Iron 1 gr.-AB Section	01061	\$121.35
18mm - 8" Steel Pulley 1 gr.	01066	\$80.20
<b>Steel Box Rails</b> (L=9.25"xW=1.18"xH=1.62")		
	01034	\$160.00
<b>Plated Steel Channel Rails</b> (L=9.00"xW=2.12"xH=2.50")		
	01075	\$79.75

### P46/P47/P49 - INCHES (mm)



### Repair Kits

Kit	Part Number	List Price	Kit	Part Number	List Price
Plunger Packing Kit (P46W/P49)	09038	\$81.31	Plunger Packing Kit (P47)	09758	\$158.19
Weep Return Kit (P46W/P49)	09081	\$181.47	Valve Kit (P47)	09759	\$185.88
Valve Kit (P46W/P49)	09039	\$187.46	Oil Seal Kit (P47)	09314	\$82.72

## P57

List Price \$5,335.00

## P57-0011 (Viton Seals)

List Price \$5,610.00

	U.S.	(Metric)
Flow .....	1.3 GPM .....	(5.1 LPM)
Pressure(continuous) ....	5000 PSI .....	(350 bar)
Pressure(intermittent) ....	6525 PSI .....	(450 bar)
Speed .....	1420 RPM	
Horsepower .....	5.9 BHP .....	(4.4 kW)
Plunger Diameter.....	0.47" .....	(12 mm)
Stroke .....	0.56" .....	(14.1 mm)
Max Inlet Temp .....	160° F .....	(71° C)
Weight .....	17.2 lbs. ....	(7.8 kg)
Inlet Port .....	(2) 1/2" BSP	
Discharge Port.....	(2) 3/8" BSP	

### Materials Used

Manifold..... AISI 316 S.S.  
 Plunger..... Solid ceramic oxide  
 Valves..... High Grade Stainless Steel  
 Seals..... Nitrile with fabric reinforcing  
 Gear End..... Aluminum



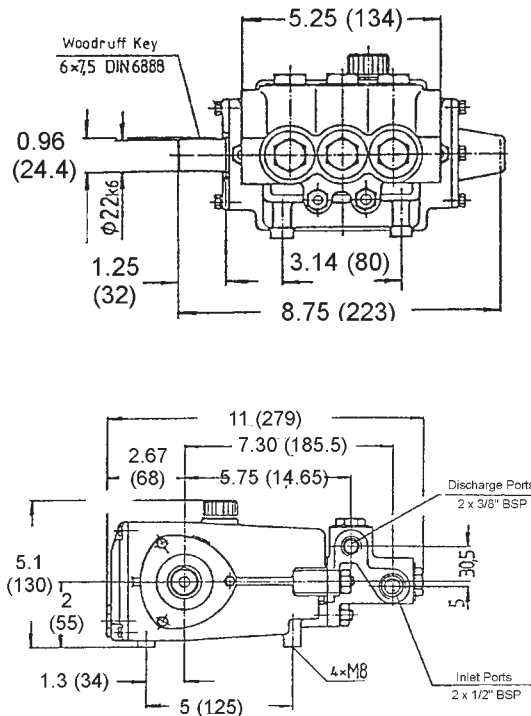
### Repair Kits

Kit	Part Number	List Price
Plunger Packing Kit	09313	\$146.57
Valve Kit	09315	\$153.57
Oil Seal Kit	09314	\$82.72

### Mounting Accessories

	Part Number	List Price
<b>Bushings</b>		
22mm Tapered H Bushing	01056	\$26.05
7.75" Cast Iron 1 gr.-AB Section	01061	\$121.35
7.75" Cast Iron 2gr.-AB Section	01062	\$252.35
<b>Steel Box Rails</b> (L=9.25"xW=1.18"xH=1.62")		
	01034	\$160.00
<b>Plated Steel Channel Rails</b> (L=9.00"xW=2.12"xH=2.50")		
	01075	\$79.75

### P57 DIMENSIONS - INCHES (mm)



# P54, P58 & P59

Model	Flow Continuous/ Intermittent	Pressure Continuous/ Intermittent	Speed Continuous/ Intermittent	Power Required	Plunger Diameter	Price
	GPM (LPM)	PSI (Bar)	RPM	HP (kW)	in (mm)	
P54	4.0 (15.1) / 4.8 (18.2)	4060 (280) / 3300 (230)	1450 / 1750	11.0 (8.2)	0.63 (16)	\$1,700.00
P54GB*	4.0 (15.1) / 4.8 (18.2)	4060 (280) / 3300 (230)	1450 / 1750	11.0 (8.2)	0.63 (16)	\$2,285.00
P58	5.0 (18.9) / 6.0 (22.7)	3500 (240) / 3000 (200)	1450 / 1750	12.1 (9.0)	0.71 (18)	\$1,700.00
P58GB*	5.0 (18.9) / 6.0 (22.7)	3500 (240) / 3000 (200)	1450 / 1750	12.1 (9.0)	0.71 (18)	\$2,285.00
P58W-0011	5.0 (18.9) / 6.0 (22.7)	3500 (240) / 3000 (200)	1450 / 1750	12.1 (9.0)	0.71 (18)	\$2,365.00
P59	7.5 (28.3) / 9.0 (32.8)	1900 (130) / 1000 (70)	1450 / 1750	9.8 (7.3)	0.87 (22)	\$1,700.00
P59GB*	7.5 (28.3) / 9.0 (32.8)	1900 (130) / 1000 (70)	1450 / 1750	9.8 (7.3)	0.87 (22)	\$2,285.00

## Common Specifications & Materials

	U.S.	(Metric)
Stroke .....	0.71"	18.1 mm
Max Inlet Temp .....	140 °F	(60 °C)
Weight (Pump only) .....	19.4 lbs	(8.8 kg)
Weight (Pump w/gearbox) .....	26 lbs	(12 kg)
Inlet Port (P54 & P58) .....	(1) 1/2"	(2) 3/8" BSP
Inlet Port (P59) .....	(1) 3/4"	(2) 1/2" BSP
Discharge Port (P54 & P58) .....	(2) 3/8"	BSP
Discharge Port (P59) .....	(2) 1/2"	BSP

### Materials Used

Manifold .....	Special Brass
Plunger .....	Solid ceramic oxide
Valves .....	High Grade Stainless Steel
Seals .....	Nitrile with fabric reinforcing
Gear End .....	Aluminum

## Repair Kits

Kit	Part Number	List Price
Plunger Packing Kit (P54W)	09167	\$198.46
Plunger Packing Kit (P58W)	09238	\$94.07
Plunger Packing Kit (P59W)	09317	\$245.34
Valve Kit (P54W & P58W)	09168	\$217.82
Valve Kit (P59)	09318	\$139.50
Oil Seal Kit	09202	\$80.69

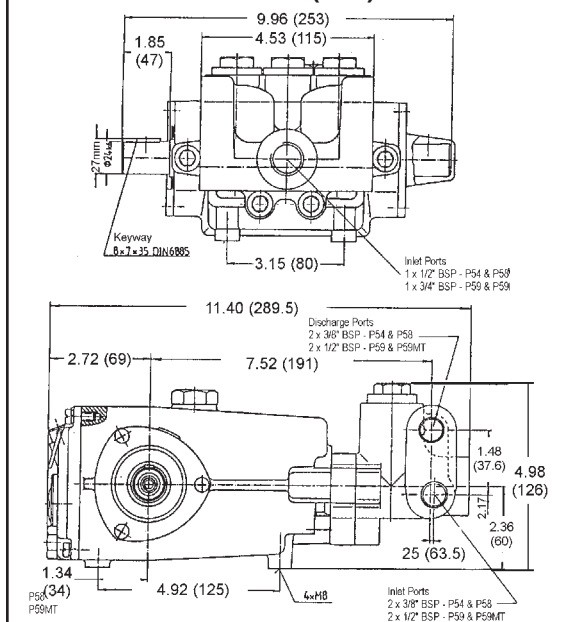
## Mounting Accessories

	Part Number	List Price
<b>Bushings</b>		
24mm Tapered H Bushing	01074	\$26.50
7.75" Cast Iron 1 gr.-AB Section	01061	\$121.35
7.75" Cast Iron 2gr.-AB Section	01062	\$252.35
<b>Steel Box Rails</b> (L=9.25"xW=1.18"xH=1.62")	01034	\$160.00
<b>Plated Steel Channel Rails</b> (L=9.00"xW=2.12"xH=2.50")	01075	\$79.75



\*Pump w/gearbox designed for 2:176 reduction from engine speed of 3500 RPM

### P54/P58/P59 - INCHES (mm)



## P55/P56

Model	Flow Continuous/ Intermittent	Pressure Continuous/ Intermittent	Speed Continuous/ Intermittent	Power Re- quired	Plunger Diameter	Price
	GPM (LPM)	PSI (Bar)	RPM	HP (kW)	in (mm)	
P55	4.9 (18.5) / 6.0 (22.7)	2320 (160) / 1000 (70)	1420 / 1750	7.8 (5.8)	0.71 (18)	\$1,645.00
P55W-0011	4.9 (18.5) / 6.0 (22.7)	2320 (160) / 1000 (70)	1420 / 1750	7.8 (5.8)	0.71 (18)	\$2,310.00
P56	6.1 (23.0) / 7.5 (28.4)	1900 (131) / 1000 (70)	1420 / 1750	8.0 (6.0)	0.79 (20)	\$1,645.00
P56W-0011	6.1 (23.0) / 7.5 (28.4)	1900 (131) / 1000 (70)	1420 / 1750	8.0 (6.0)	0.79 (20)	\$2,310.00
P56W-0021	6.1 (23.0) / 7.5 (28.4)	1900 (131) / 1000 (70)	1420 / 1750	8.0 (6.0)	0.79 (20)	\$2,310.00

### Common Specifications & Materials

	U.S.	(Metric)
Stroke .....	0.71"	18.1 mm
Max Inlet Temp .....	160 °F	(70 °C)
Max Inlet Temp .....	190 °F	(88 °C)
Weight .....	18 lbs.	(8 kg)
Inlet Port .....	(2) 1/2" NPT	
Discharge Port.....	(2) 3/8" NPT	

#### Materials Used

Manifold.....	Special Brass
Plunger .....	Solid ceramic oxide
Valves.....	High Grade Stainless Steel
Seals(P55/P56).....	Nitrile with fabric reinforcing
Seals (P55W-011/P56W-011).....	Viton Seals
Seals (P56W-0021) .....	Viton/Teflon
Gear End .....	Aluminum



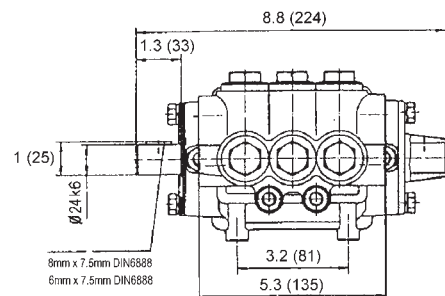
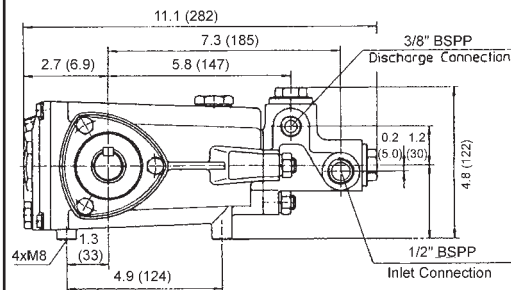
### Repair Kits

Kit	Part Number	List Price
Plunger Packing Kit (P55W)	09089	\$180.46
Plunger Packing Kit (P56W)	09061	\$190.37
Valve Kit	09041	\$189.03
Oil Seal Kit	09202	\$80.69

### Mounting Accessories

	Part Number	List Price
Bushings		
24mm Tapered H Bushing	01074	\$26.50
<b>Pulley &amp; sheaves</b>		
9.75" Cast Iron		
2 gr.-AB Section	01055	\$298.70
7.75" Cast Iron		
1 gr.-AB Section	01061	\$121.35
7.75" Cast Iron		
2 gr. - AB Section	01062	\$252.35
<b>Steel Box Rails</b>		
(L=9.25"xW=1.18"xH=1.62")	01034	\$160.00
<b>Plated Steel Channel Rails</b>		
(L=9.00"xW=2.12"xH=2.50")	01075	\$79.75

### P55/P56 - INCHES (mm)



## SP Series

Model	Flow	Pressure	Speed	Power Required	Plunger Diameter	Price
	GPM (LPM)	PSI (Bar)	RPM	HP (kW)	in (mm)	
SP351W	6.7 (25.4)	3200 (220)	1420	14.8 (11.0)	0.79 (20)	\$3,075.00
SP200	9.6 (36.2)	2175 (150)	1420	14.4 (10.7)	0.94 (24)	\$3,445.00
SP100W	11.2 (42.5)	2000 (140)	1420	14.5 (10.8)	1.02 (26)	\$3,075.00
SP100W-0011	11.2 (42.5)	2000 (140)	1420	14.5 (10.8)	1.02 (26)	\$3,900.00

### Common Specification and Materials

	U.S.	(Metric)
Stroke .....	0.79"	(20 mm)
Max Inlet Temp .....	160 °F	(70 °C)
Weight .....	41.9 lbs	(19 kg)
Inlet Port .....	(2) 3/4" NPT	
Discharge Port .....	(2) 3/8" NPT	

### Materials Used

Manifold .....	Brass
Plunger .....	Solid ceramic oxide
Valves .....	High Grade Stainless Steel
Seals .....	Nitrile with fabric reinforcing
Gear End .....	Aluminum



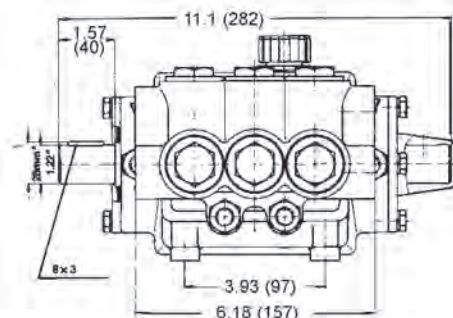
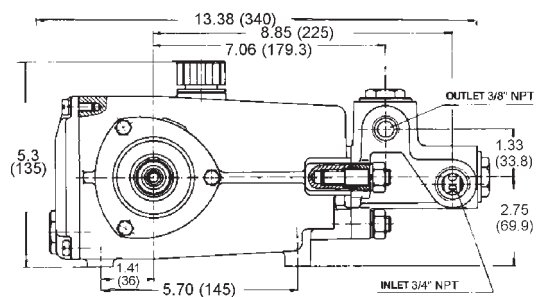
### Repair Kits

Kit	Part Number	List Price
Plunger Packing Kit (SP100)	09077	\$188.60
Plunger Packing Kit (SP200)	09798	\$220.02
Plunger Packing Kit (SP351)	09076	\$168.63
Valve Kit	09069	\$280.79

### Mounting Accessories

	Part Number	List Price
<b>Bushings</b>		
28mm Tapered H Bushing	07175	\$22.30
<b>Pulley &amp; sheaves</b>		
9.75" Cast Iron 2 gr.-AB Section	01055	\$298.70
7.75" Cast Iron 2gr.-AB Section	01062	\$252.35
<b>Plated Steel Channel Rails</b> (L=9.18"xW=1.88"xH=3.00")	07358	\$70.50

### SP100W/SP200/SP351W - INCHES (mm)



# **INDUSTRIAL PUMPS**

**(pages 31-63)**

# **CORROSION RESISTANT PUMPS**

**(pages 64-72)**

**The following pumps and kits have industrial  
discounts unless otherwise noted**

## MP Series

Model	Flow	Pressure Continuous/ Intermittent	Speed	Power Required	Plunger Diameter	Stroke	Price
	GPM (LPM)	PSI (Bar)	RPM	HP (kW)	in (mm)	in (mm)	
MP4120	8.9 (33.8)	3625 (250)	1450	23.1 (17.2)	0.79 (20)	1.02 (26)	\$5,770.00
MP4124	12.8 (48.6)	2610 (180) / 3000 (205)	1450	24.0 (17.9)	0.95 (24)	1.02 (26)	\$5,770.00
MP4135	13.5 (51.2)	1885 (130)	1100	17.6 (13.1)	1.10 (28)	1.02 (26)	\$5,585.00
MP4130	15.4 (58.2)	1600 (110) / 2000 (140)	1100	17.6 (13.1)	1.18 (30)	1.02 (26)	\$5,585.00
MP4126	17.9 (67.7)	1600 (110)	1100	20.4 (15.2)	1.18 (30)	1.18 (30)	\$5,770.00

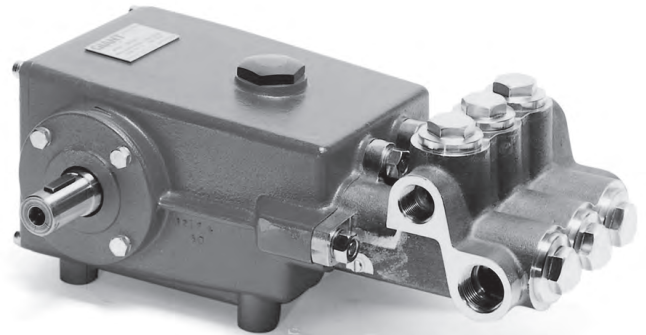
### Common Specification and Materials

#### U.S. (Metric)

Max Inlet Temp ..... 160 °F ..... (70 °C)  
 Weight ..... 66 lbs ..... (30 kg)  
 Inlet Port ..... (2) 1" NPT  
 Discharge Port..... (2) 3/4" NPT

#### Materials Used

Manifold ..... Aluminum Bronze  
 Plunger ..... Solid ceramic oxide  
 Valves ..... High Grade Stainless Steel  
 Seals..... Nitrile with fabric reinforcing  
 Gear End ..... Spheroidal Cast Iron



### Repair Kits

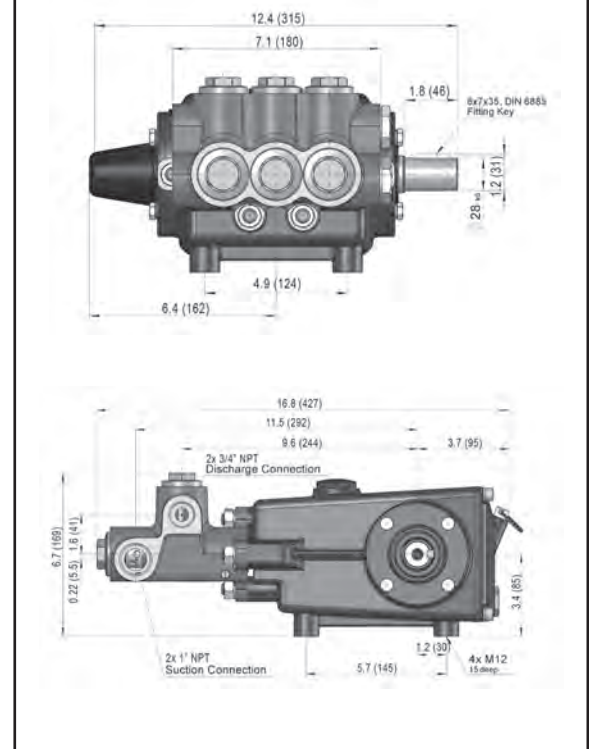
Kit	Part Number	List Price
Plunger Packing Kit (MP4120)	09044	\$196.35
Plunger Packing Kit (MP4124)	09300	\$247.20
Plunger Packing Kit (MP4126/MP4130)	09042	\$199.62
Plunger Packing Kit (MP4135)	09665	\$220.72
Valve Repair Kit (MP4120)	09802	\$653.86
Valve Repair Kit (MP4124)	09803	\$622.10
Valve Repair Kit (MP4126/MP4135)	09809	\$622.90
Valve Repair Kit (MP4130)	09810	\$654.76

### Mounting Accessories

	Part Number	List Price
<b>Bushings</b>		
28mm Tapered H Bushing	07175	\$22.30
<b>Pulley &amp; sheaves</b>		
9.75" Cast Iron 2 gr.-AB Section	01055	\$298.70
7.75" Cast Iron 2gr.-AB Section	01062	\$252.35
<b>Plated Steel Channel Rails</b> (L=9.18"xW=1.88"xH=3.00")	07358*	\$70.50

\* Commercial Discount

### MP SERIES - INCHES (mm)





## P532, P533, P536

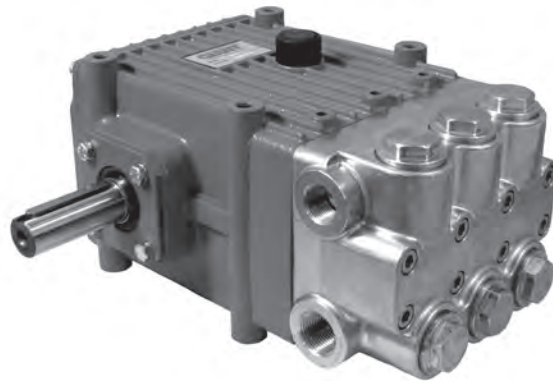
Model	Flow	Pressure	Speed	Power Required	Plunger Diameter	Stroke	Price
	<b>GPM (LPM)</b>	<b>PSI (Bar)</b>	<b>RPM</b>	<b>HP (kW)</b>	<b>in (mm)</b>	<b>in (mm)</b>	
P533	22.7 (86.0)	2175 (150)	1450	35.3 (26.3)	1.26 (32)	1.02 (26)	\$6,685.00
P532	24.4 (92.5)	2175 (150)	1450	36.6 (27.3)	1.26 (32)	1.10 (28)	\$6,685.00
P536	26.4 (100)	1740 (150)	1450	31.7 (23.6)	1.42 (36)	0.95 (24)	\$6,685.00

### Common Specifications & Materials

	U.S.	(Metric)
Max Inlet Temp.....	104 °F	(40 °C)
Weight.....	93 lbs	(42 kg)
Inlet Port.....	(2) 1" BSP	
Discharge Port.....	(2) 3/4" BSP	

#### Materials Used

Manifold.....	Brass
Plunger.....	Solid ceramic oxide
Valves.....	High Grade Stainless Steel
Seals.....	Nitrile with fabric reinforcing
Gear End.....	Aluminum



### Repair Kits

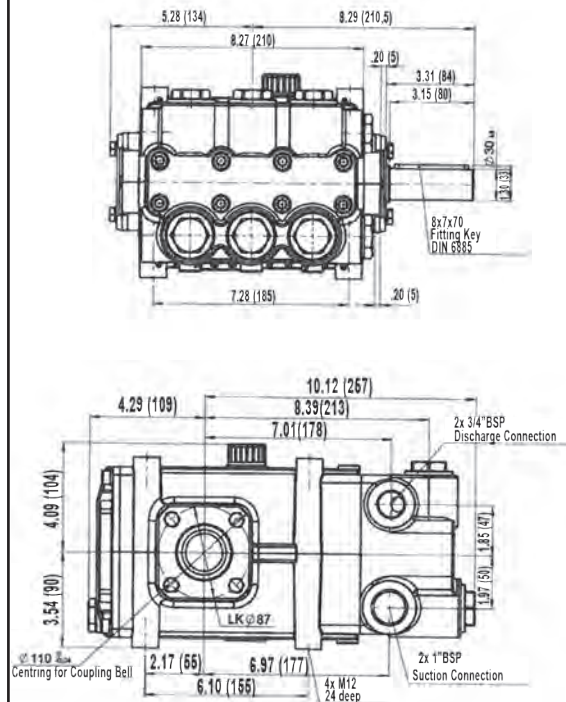
Kit	Part Number	List Price
<b>Plunger Packing Kit</b>		
(P532/P533)	09760	\$374.11
Plunger Packing Kit (P536)	09753	\$347.74
Valve Kit	09754	\$688.27
Oil Seal Kit	09755	\$117.12

### Mounting Accessories

	Part Number	List Price
<b>Plated Steel Channel Rails</b> (L=9.18"xW=1.88"xH=3.00")	07358*	\$70.50

\* Commercial Discount

### P532/P533/P536 DIMENSIONS INCHES (mm)



## P540

List Price \$7,450.00

## P541

List Price \$7,210.00

	U.S.	(Metric)
Flow .....	35.4 GPM .....	(134 LPM)
Pressure .....	1450 PSI .....	(100 bar)
Speed .....	1450 RPM .....	
Horsepower .....	35.3 BHP .....	(26.4 kW)

### Materials Used

Manifold:  
 (P540)..... Brass  
 (P541)..... Nickel-Plated Spheroidal Cast Iron  
 Plunger ..... Solid Ceramic Oxide  
 Valves..... High Grade Stainless Steel  
 Seals..... Nitrile with Fabric Reinforcing  
 Gear End ..... Aluminum

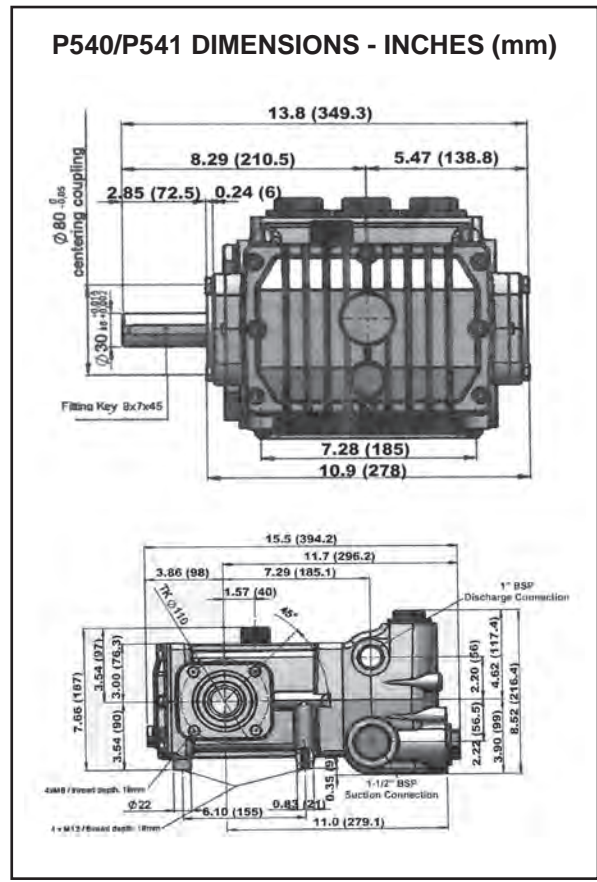


Common Specifications		
	U.S.	(Metric)
Plunger Diameter.....	1.57" .....	(40 mm)
Stroke .....	1.02" .....	(26 mm)
Max Inlet Temp .....	104 °F .....	(40 °C)
Weight (P540).....	91.5 lbs. ....	(41.5 kg)
Weight (P541).....	84.9 lbs. ....	(38.5 kg)
Inlet Port .....	(2) 1-1/2" BSP	
Discharge Port.....	(2) 1" BSP	

Repair Kits		
Kit	Part Number	List Price
Plunger Packing Kit	09776	\$359.45
Inlet Valve Kit	09777	\$411.32
Discharge Valve Kit	09778	\$437.18
Oil Seal Kit	09755	\$117.12

Mounting Accessories		
	Part Number	List Price
<b>Plated Steel Channel Rails</b> (L=9.18"xW=1.88"xH=3.00")	07358*	\$70.50

\* Commercial Discount

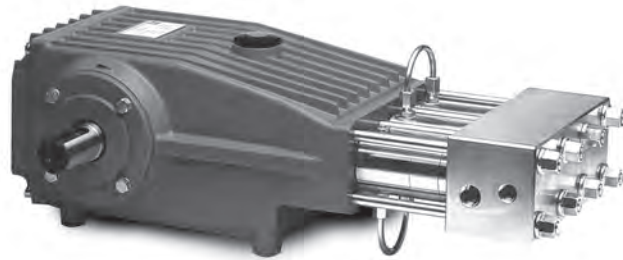


## LP800/LP900/LP1000

Model	Flow	Pressure	Speed	Power Required	Plunger Diameter	Stroke	Price
	<b>GPM (LPM)</b>	<b>PSI (Bar)</b>	<b>RPM</b>	<b>HP (kW)</b>	<b>in (mm)</b>	<b>in (mm)</b>	
LP1000	3.4 (12.8)	15,000 (1000)	1000	36.4 (27.2)	0.47 (12)	1.65 (42)	\$17,855.00
LP800	4.6 (17.4)	11,600 (800)	1000	38.1 (28.4)	0.55 (14)	1.65 (42)	\$17,885.00
LP900	6.0 (22.8)	8700 (600)	1000	37.3 (27.8)	0.63 (16)	1.65 (42)	\$17,885.00

### Common Specifications & Materials

Max Inlet Temp .....	<b>U.S.</b> 104 °F .....	<b>(Metric)</b> (40 °C)
Weight .....	115 lbs .....	(52 kg)
Inlet Port .....	(2) 1/2" BSP	
Discharge Port .....	(2) 3/8" BSP	
<b>Materials Used</b>		
Manifold .....	AISI 303 S.S.	
Plunger .....	Zirconia Ceramic Oxide	
Valves .....	Stainless Steel	
Seals .....	Aramid Packing	
Gear End .....	Spheroidal Cast Iron	



### Repair Kits

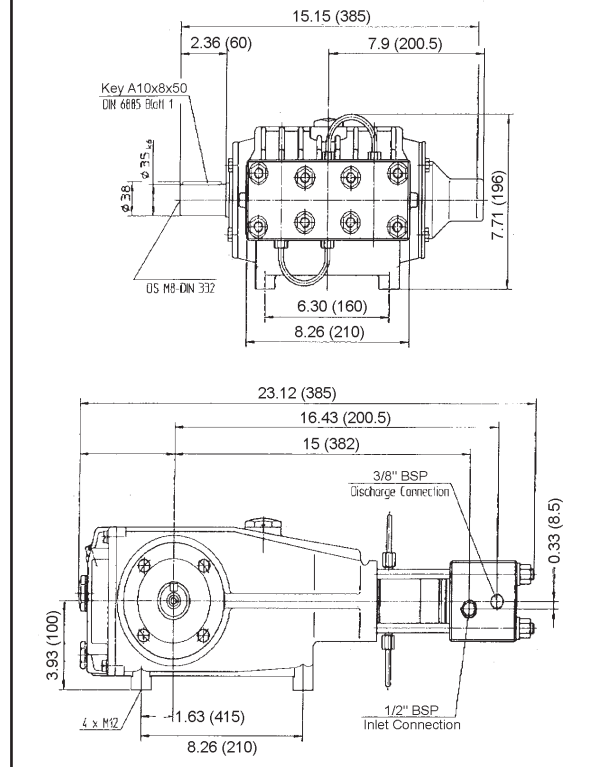
Kit	Part Number	List Price
Plunger Packing Kit (LP1000)	09517	\$659.20
Plunger Packing Kit (LP800)	09618	\$576.80
Plunger Packing Kit (LP900)	09729	\$515.00
Valve Kit	09518	\$2,885.52
Oil Seal Kit	09577	\$44.23

### Mounting Accessories

	Part Number	List Price
<b>Bushings</b>		
35mm H Bushing	06496*	\$128.75
<b>Pulley &amp; sheaves</b>		
12.75" Cast Iron 4gr. AB Section	07165*	\$175.10
<b>Plated Steel Channel Rails</b> (L=11.75"xW1.88"xH=3.00")		
	07357	\$139.80

\* Commercial Discount

### LP800/LP900/LP1000 - INCHES (mm)



## LP700

List Price \$14,300.00

## LP750

List Price \$12,260.00

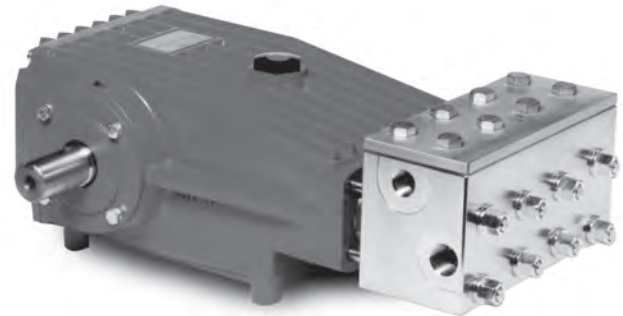
### U.S. (Metric)

#### LP700

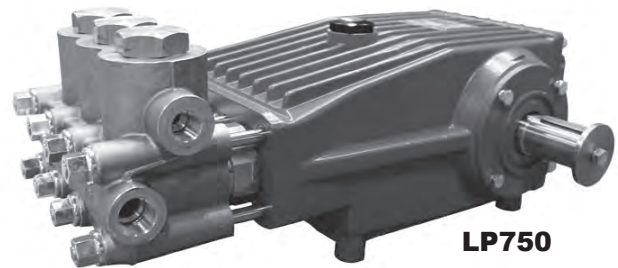
Flow .....7.9 GPM..... (30 LPM)  
 Pressure .....7250 PSI..... (500 bar)  
 Speed .....1000 RPM  
 Horsepower ..... 39.8 BHP..... (29.7 kW)

#### LP750

Flow .....7.9 GPM..... (30 LPM)  
 Pressure .....7250 PSI..... (500 bar)  
 Speed .....1000 RPM  
 Horsepower ..... 39.5 BHP..... (29.5 kW)



LP700



LP750

### Common Specifications & Materials

	U.S.	(Metric)
Plunger Diameter.....	0.71"	(18 mm)
Stroke .....	1.65"	(42 mm)
Max Inlet Temp .....	104 °F	(40 °C)
Weight .....	147 lbs	(66.5 kg)
Inlet Port.....	(2) 3/4" BSP	
Discharge Port.....	(2) 1/2" BSP	

#### Materials Used

Manifold (LP700) .....AISI 303 S.S.  
 Manifold (LP750) ..... Forged Brass  
 Plunger ... Stainless Steel/Hard Metal Coating  
 Valves .....Stainless Steel  
 Seals.....Nitrile with Fabric Reinforcing  
 Gear End .....Spheroidal Cast Iron

### Mounting Accessories

	Part Number	List Price
<b>Bushings</b>		
35mm H Bushing	06496*	\$128.75
<b>Pulley &amp; sheaves</b>		
12.75" Cast Iron		
4gr. AB Section	07165*	\$175.10
<b>Plated Steel Channel Rails</b> (L=11.75"xW1.88"xH=3.00")	07357	\$139.80

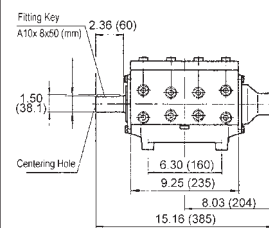
\* Commercial Discount

### Repair Kits

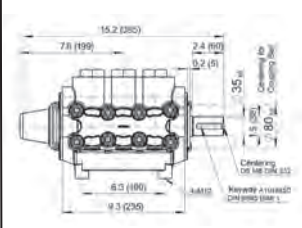
Kit	Part Number	List Price
<b>Plunger Packing Kits:</b>		
(LP700)	09736	\$917.89
(LP750)	09737	\$1,063.68
Valve Kit (LP700)	09491	\$2,287.17
Valve Kit (LP750)	09738	\$2,748.45
Oil Seal Kit	09577	\$44.23

### LP700/LP750 DIMENSIONS - INCHES (mm)

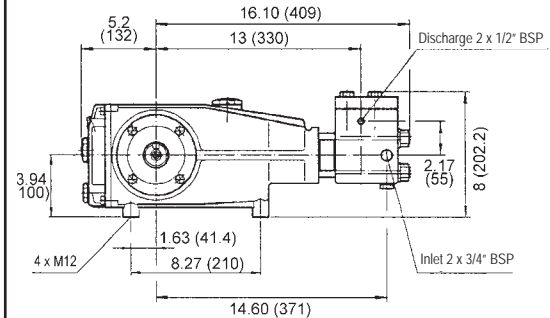
#### LP700



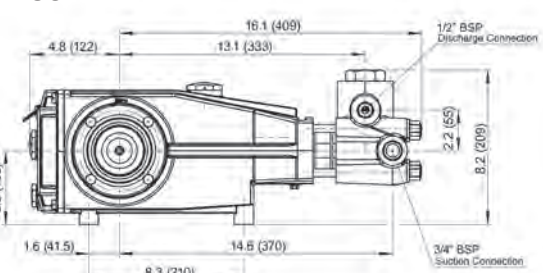
#### LP750



#### LP700



#### LP750



## LP600 & LP600-4000

Model	Flow	Pressure	Speed	Power Required	Plunger Diameter	Stroke	Price
	GPM (LPM)	PSI (Bar)	RPM	HP (kW)	in (mm)	in (mm)	
LP600	9.8 (37.0)	5800 (400)	1000	38.8 (29.0)	0.79 (20)	1.65 (42)	\$10,115.00
LP600-4000	9.8 (37.0)	5800 (400)	1000	38.8 (29.0)	0.79 (20)	1.65 (42)	\$12,795.00

### Common Specifications & Materials

	U.S.	(Metric)
Max Inlet Temp .....	140 °F	(60 °C)
Weight .....	119 lbs	(54 kg)
Inlet Port .....	(2) 1-1/4" BSP	
Discharge Port .....	(2) 1" BSP	

**Materials Used**

Manifold .....	AISI 303 S.S.
Plunger .....	Solid Ceramic Oxide
Valves .....	Duplex Steel
Seals .....	Nitrile with Fabric Reinforcing
Gear End .....	Spheroidal Cast Iron

\*LP600-4000 - All internal wet-end parts are at least 303 Stainless Steel.



### Repair Kits

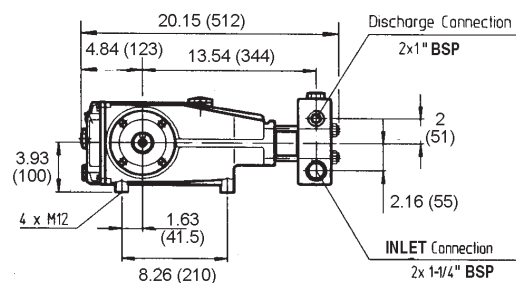
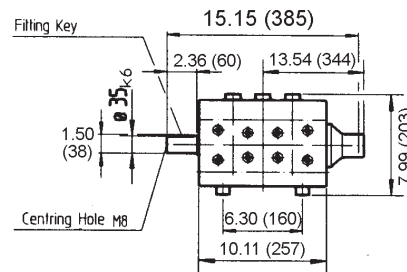
Kit	Part Number	List Price
Plunger Packing Kit (LP600)	09197	\$808.50
Plunger Packing Kit (LP600-4000)	09197-4000	\$862.80
Valve Kit (3)	09195	\$710.78
Oil Seal Kit	09577	\$44.23

### Mounting Accessories

	Part Number	List Price
<b>Bushings</b>		
35mm H Bushing	06496*	\$128.75
<b>Pulley &amp; sheaves</b>		
12.75" Cast Iron		
4gr. AB Section	07165*	\$175.10
<b>Plated Steel Channel Rails</b> (L=11.75"xW1.88"xH=3.00")	07357	\$139.80

\* Commercial Discount

### LP600 DIMENSIONS - INCHES (mm)



## LP460 & LP470

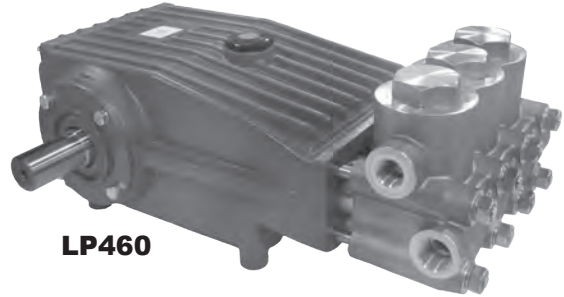
Model	Flow	Pressure	Speed	Power Required	Plunger Diameter	Stroke	Price
	<b>GPM (LPM)</b>	<b>PSI (Bar)</b>	<b>RPM</b>	<b>HP (kW)</b>	<b>in (mm)</b>	<b>in (mm)</b>	
LP460	9.8 (37.0)	5800 (400)	1000	39.2 (29.2)	0.79 (20)	1.65 (42)	\$7,860.00
LP470	12.2 (46.0)	4640 (320)	1000	39.0 (29.1)	0.87 (22)	1.65 (42)	\$9,580.00

### Common Specifications & Materials

	U.S.	(Metric)
Max Inlet Temp (LP460)....	104 °F	(40 °C)
Max Inlet Temp (LP470)....	140 °F	(60 °C)
Weight .....	119 lbs	(54 kg)
Inlet Port .....	(2) 1-1/4" BSP	
Discharge Port.....	(2) 1" BSP	

### Materials Used

Manifold (LP460).....	Special Brass
Manifold (LP470).....	Stainless Steel
Plunger .....	Solid Ceramic Oxide
Valves .....	Duplex Steel
Seals.....	Nitrile with Fabric Reinforcing
Gear End .....	Spheroidal Cast Iron



**LP460**



**LP470**

### Repair Kits

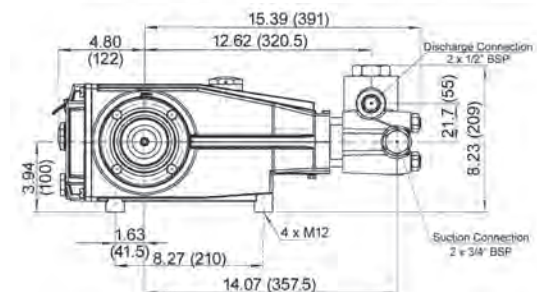
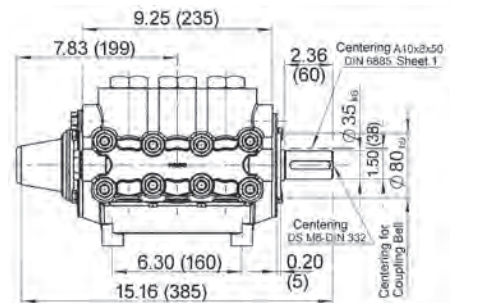
Kit	Part Number	List Price
Plunger Packing Kit (LP460)	09743	\$773.58
Plunger Packing Kit (LP470)	09741	\$80.56
Valve Kit (LP460)	09744	\$2,251.00
Valve Kit (LP470)	09742	\$2,437.55
Oil Seal Kit	09577	\$44.23

### Mounting Accessories

	Part Number	List Price
<b>Bushings</b>		
35mm H Bushing	06496*	\$128.75
<b>Pulley &amp; sheaves</b>		
12.75" Cast Iron		
4gr. AB Section	07165*	\$175.10
<b>Plated Steel Channel Rails</b>		
(L=11.75"xW1.88"xH=3.00")	07357	\$139.80

\* Commercial Discount

### LP460/LP470 DIMENSIONS - INCHES (mm)

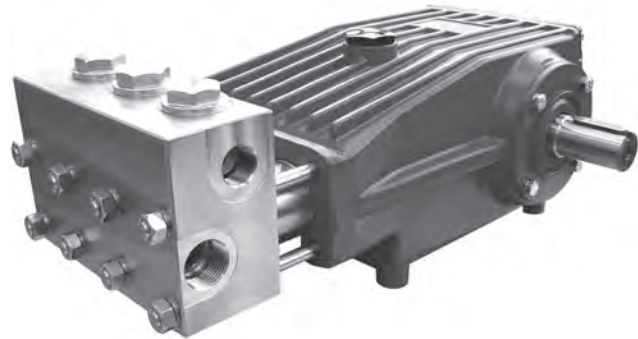


## LP305 & LP605

Model	Flow Continuous/ Intermittent	Pressure	Speed Continuous/ Intermittent	Power Required	Plunger Diameter	Stroke	Price
	GPM (LPM)	PSI (Bar)	RPM	HP (kW)	in (mm)	in (mm)	
LP605	10.6 (40.0)	6090 (420)	1100	44.5 (33.2)	0.79 (20)	1.65 (42)	\$8,665.00
LP305	15.9 (60.0) / 18.2 (69)	4060 (280)	1100 / 1245	51.0 (38.0)	0.95 (24)	1.65 (42)	\$8,665.00

### Common Specifications & Materials

	<b>U.S.</b>	<b>(Metric)</b>
Max Inlet Temp .....	140 °F	(60 °C)
Weight .....	125 lbs	(56.5 kg)
Inlet Port .....	(2) 1" NPT	
Discharge Port.....	(2) 3/4" NPT	
<b>Materials Used</b>		
Manifold .....	AISI 303 S.S.	
Plunger .....	Solid ceramic oxide	
Valves .....	High Grade Stainless Steel	
Seals.....	Nitrile with fabric reinforcing	
Gear End .....	Spheroidal Cast Iron	



### Repair Kits

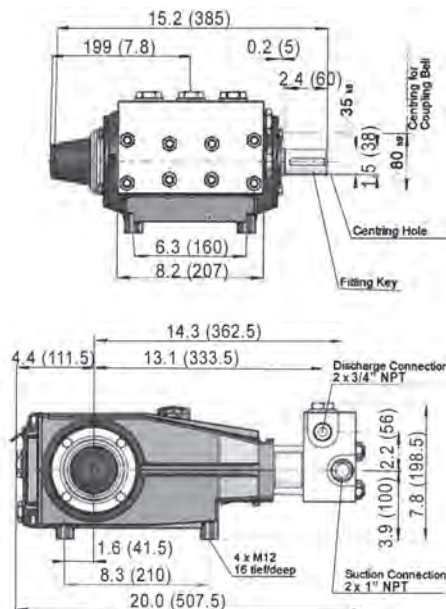
Kit	Part Number	List Price
Plunger Packing Kit (LP305)	09789	\$208.54
Plunger Packing Kit (LP605)	09791	\$599.81
Valve Kit	09792	\$769.98
Oil Seal Kit	09577	\$44.23

### Mounting Accessories

	Part Number	List Price
<b>Bushings</b>		
35mm H Bushing	06496*	\$128.75
<b>Pulley &amp; sheaves</b>		
12.75" Cast Iron 4gr. AB Section	07165*	\$175.10
<b>Plated Steel Channel Rails</b> (L=11.75"xW1.88"xH=3.00")		
	07357	\$139.80

\* Commercial Discount

LP605/LP305 DIMENSIONS - INCHES (mm)



## LP301A, LP301A-SSP & LP301A-4000

Model	Flow Continuous/ Intermittent	Pressure	Speed Continuous/ Intermittent	Power Required	Plunger Diameter	Stroke	Price
	GPM (LPM)	PSI (Bar)	RPM	HP (kW)	in (mm)	in (mm)	
LP301A	14.2 (53.6) 18.0 (68.1)	4000 (276)	1000 1270	39.2 (29.2) 49.7 (37.0)	0.94 (24)	1.65 (42)	\$9,110.00
LP301A-SSP	14.2 (53.6) 18.0 (68.1)	4000 (276)	1000 1270	39.2 (29.2) 49.7 (37.0)	0.94 (24)	1.65 (42)	\$9,610.00
LP301-4000*	14.2 (53.6) 18.0 (68.1)	4000 (276)	1000 1270	39.2 (29.2) 49.7 (37.0)	0.94 (24)	1.65 (42)	\$14,555.00

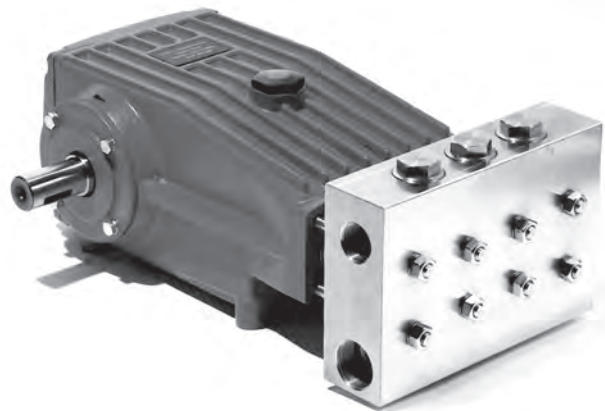
### Common Specifications & Materials

	U.S.	(Metric)
Max Inlet Temp .....	140 °F	(60 °C)
Weight .....	119 lbs	(54 kg)
Inlet Port .....	(2) 1-1/4" BSP	
Discharge Port.....	(2) 1" BSP	

#### Materials Used

Manifold .....	AISI 303 S.S.
Plunger (except-SSP).....	Solid ceramic oxide
Plunger (-SSP) .....	Stainless Steel
Valves .....	Duplex Steel
Seals.....	Nitrile with fabric reinforcing
Gear End .....	Spheroidal Cast Iron

**\*LP301-4000 - All internal wet-end parts are at least 303 Stainless Steel.**



### Repair Kits

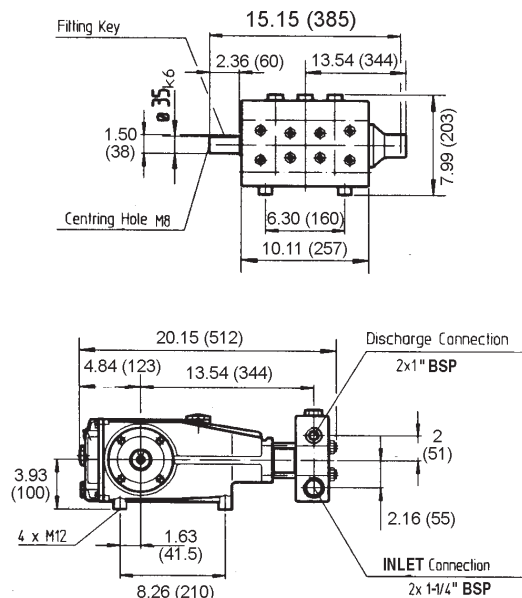
Kit	Part Number	List Price
Plunger Packing Kit (LP301A)	09459	\$449.81
Valve Kit (3)	09196	\$453.06
Plunger Packing Kit (LP301A-4000)	09459-4000	\$496.71
Oil Seal Kit	09577	\$44.23

### Mounting Accessories

	Part Number	List Price
<b>Bushings</b>		
35mm H Bushing	06496*	\$128.75
<b>Pulley &amp; sheaves</b>		
12.75" Cast Iron		
4gr. AB Section	07165*	\$175.10
<b>Plated Steel Channel Rails</b> (L=11.75"xW1.88"xH=3.00")	07357	\$139.80

\* Commercial Discount

### LP301 DIMENSIONS - INCHES (mm)





## LP350, LP400 & LP450

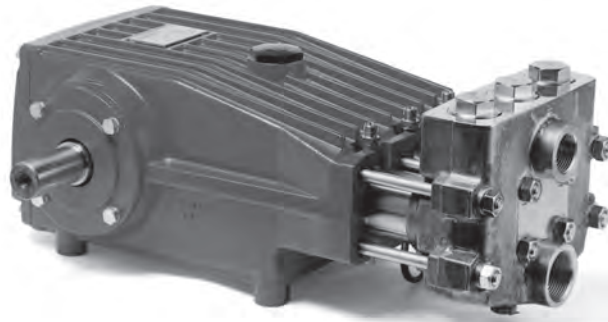
Model	Flow	Pressure	Speed	Power Required	Plunger Diameter	Stroke	Price
	GPM (LPM)	PSI (Bar)	RPM	HP (kW)	in (mm)	in (mm)	
LP400	15.1 (57.0)	3600 (250)	1000	37.5 (28.0)	0.94 (24)	1.65 (42)	\$7,755.00
LP450	19.7 (74.5)	2600 (180)	1000	35.3 (26.3)	1.10 (28)	1.65 (42)	\$7,755.00
LP350	22.6 (85.5)	2300 (160)	1000	36.2 (27.0)	1.18 (30)	1.65 (42)	\$7,755.00

### Common Specifications

	U.S.	(Metric)
Max Inlet Temp .....	140 °F	(60 °C)
Weight .....	110 lbs	(50 kg)
Inlet Port .....	(2) 1-1/4" BSP	
Discharge Port.....	(2) 1" BSP	

### Materials Used

Manifold.....	Aluminum Bronze
Plunger.....	Solid ceramic oxide
Valves.....	Duplex Steel
Seals.....	Nitrile with fabric reinforcing
Gear End.....	Spheroidal Cast Iron



### Repair Kits

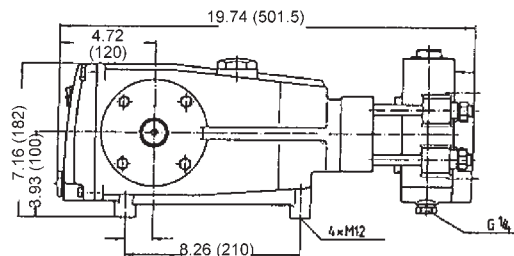
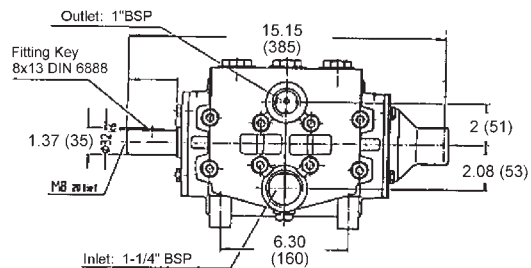
Kit	Part Number	List Price
Plunger Packing Kit (LP350)	09546	\$256.56
Plunger Packing Kit (LP400)	09548	\$238.37
Plunger Packing Kit (LP450)	09549	\$346.62
Valve Kit (3)	09196	\$453.06
Oil Seal Kit	09577	\$44.23

### Mounting Accessories

	Part Number	List Price
<b>Bushings</b>		
35mm H Bushing	06496*	\$128.75
<b>Pulley &amp; sheaves</b>		
12.75" Cast Iron		
4gr. AB Section	07165*	\$175.10
<b>Plated Steel Channel Rails</b>		
(L=11.75"xW1.88"xH=3.00")	07357	\$139.80

\* Commercial Discount

### LP350, LP400, LP450 - INCHES (mm)



## LP121A, LP200, LP200-SS & LP250

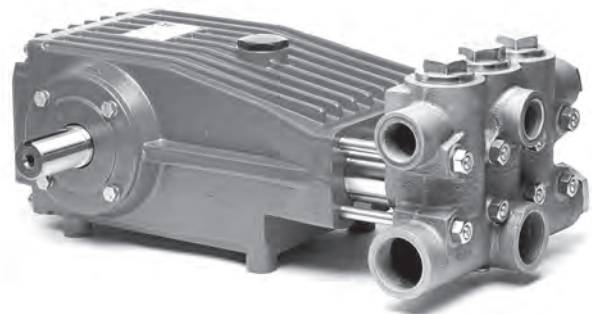
Model	Flow	Pressure	Speed	Power Required	Plunger Diameter	Stroke	Price
	<b>GPM (LPM)</b>	<b>PSI (Bar)</b>	<b>RPM</b>	<b>HP (kW)</b>	<b>in (mm)</b>	<b>in (mm)</b>	
LP200	19.0 (72.1)	2900 (200)	1000	38.3 (28.6)	1.10 (28)	1.65 (42)	\$9,010.00
LP200-SS	19.0 (72.1)	2900 (200)	1000	38.3 (28.6)	1.10 (28)	1.65 (42)	\$9,700.00
LP250	26.0 (98.3)	2200 (150)	1000	39.7 (29.6)	1.26 (32)	1.65 (42)	\$9,010.00
LP121A	32.5 (123.1)	1740 (120)	1000	39.3 (29.3)	1.42 (36)	1.65 (42)	\$9,010.00

### Common Specifications & Materials

	<b>U.S.</b>	<b>(Metric)</b>
Max Inlet Temp .....	140 °F	(60 °C)
Weight .....	119 lbs	(54 kg)
Inlet Port .....	(3) 1-1/2" BSP	
Discharge Port.....	(3) 1" BSP	

#### Materials Used

Manifold (except LP200-SS) .... Aluminum Bronze  
 Manifold (LP200-SS)..... Stainless Steel  
 Plunger ..... Solid ceramic oxide  
 Valves ..... Duplex Steel  
 Seals..... Nitrile with fabric reinforcing  
 Gear End ..... Spheroidal Cast Iron



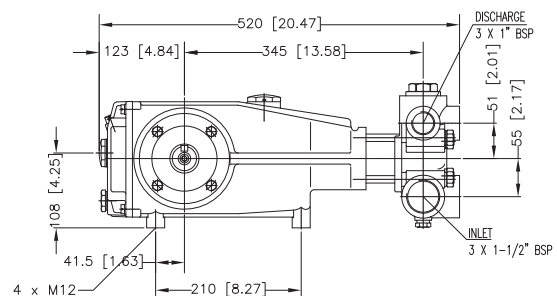
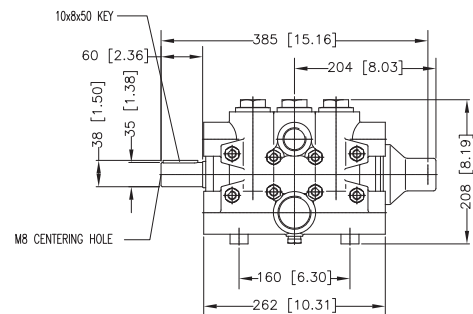
### Repair Kits

Kit	Part Number	List Price
Plunger Packing Kit (LP200)	09307	\$343.75
Plunger Packing Kit (LP250)	09308	\$543.78
Valve Kit (3)	09196	\$453.06
Oil Seal Kit	09577	\$44.23

### Mounting Accessories

	Part Number	List Price
<b>Bushings</b>		
35mm H Bushing	06496*	\$128.75
<b>Pulley &amp; sheaves</b>		
12.75" Cast Iron		
4gr. AB Section	07165*	\$175.10
<b>Plated Steel Channel Rails</b>		
(L=11.75"xW1.88"xH=3.00")	07357	\$139.80

### LP121A/LP200/LP250 DIMENSIONS- INCHES (mm)



## LP122A, LP122A-4000, LP123 & LP255

Model	Flow	Pressure	Speed	Power Required	Plunger Diameter	Stroke	Price
	<b>GPM (LPM)</b>	<b>PSI (Bar)</b>	<b>RPM</b>	<b>HP (kW)</b>	<b>in (mm)</b>	<b>in (mm)</b>	
LP255	26.0 (98.3)	2175 (150)	1000	39.4 (29.4)	1.26 (32)	1.65 (42)	\$8,050.00
LP122A	35.4 (134.1)	1300 (90)	800	33.1 (24.7)	1.65 (42)	1.65 (42)	\$8,430.00
LP123	35.4 (134.1)	1300 (90)	800	33.1 (24.7)	1.26 (32)	1.65 (42)	\$7,575.00
LP122A-4000	35.4 (134.1)	1300 (90)	800	33.1 (24.7)	1.65 (42)	1.65 (42)	\$10,000.00

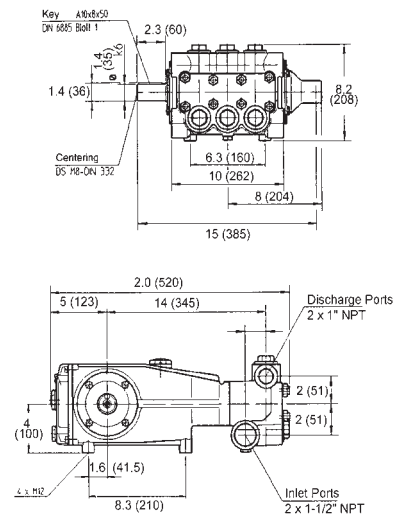
### Common Specifications & Materials

	<b>U.S.</b>	<b>(Metric)</b>
Stroke .....	1.65"	(42 mm)
Max Inlet Temp .....	140 °F	(60 °C)
Weight .....	126 lbs	(57 kg)
Inlet Port .....	(2) 1-1/2" NPT	
Discharge Port.....	(2) 1" NPT	

### Materials Used

Plunger .....	Solid ceramic oxide
Valves .....	Duplex Steel
Seals.....	Nitrile with fabric reinforcing
Gear End .....	Spheroidal Cast Iron

### LP122, LP123, LP255 DIMENSIONS - INCHES (mm)



### Repair Kits

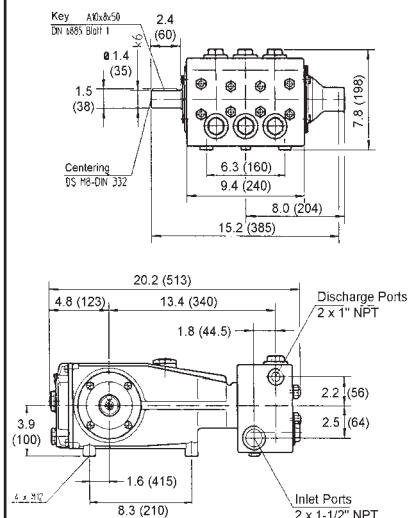
Kit	Part Number	List Price
Plunger Packing Kit (except LP255)	09477	\$434.42
Plunger Packing Kit (LP255 only)	09535	\$605.67
Valve Kit (3)	09136	\$512.38
Oil Seal Kit	09577	\$44.23

### Mounting Accessories

	Part Number	List Price
<b>Bushings</b>		
35mm H Bushing	06496*	\$128.75
<b>Pulley &amp; sheaves</b>		
12.75" Cast Iron		
4gr. AB Section	07165*	\$175.10
<b>Plated Steel Channel Rails</b>		
(L=11.75"xW1.88"xH=3.00")	07357	\$139.80

\* Commercial Discount

### LP122A-4000 DIMENSIONS - INCHES (mm)



## LP122A, LP122A-4000, LP123 & LP255



**LP122**



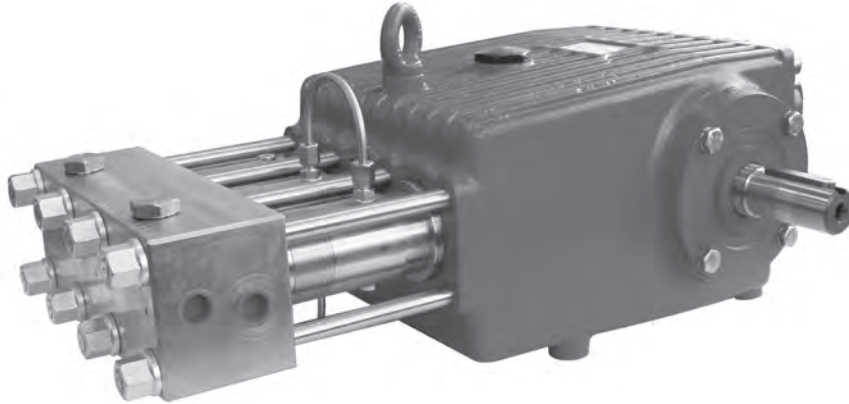
**LP123/LP255**



**LP122A-4000**

## GP5114 and GP5116

Model	Flow Continuous/ Intermittent	Pressure Continuous/ Intermittent	Speed	Power Required Continuous/ Intermittent	Plunger Diameter	Price
	GPM (LPM)	PSI (Bar)	RPM	HP (kW)	in (mm)	
GP5114	4.8 (18.0)	17,400 (1200)	1000	58.4 (43.6)	0.55 (14)	\$20,870.00
GP5116	5.5 (20.9) 7.0 (26.6)	14,500 (1000) 11,600 (800)	850 1050	55.8 (41.6) 56.0 (41.8)	0.63 (16)	\$20,870.00



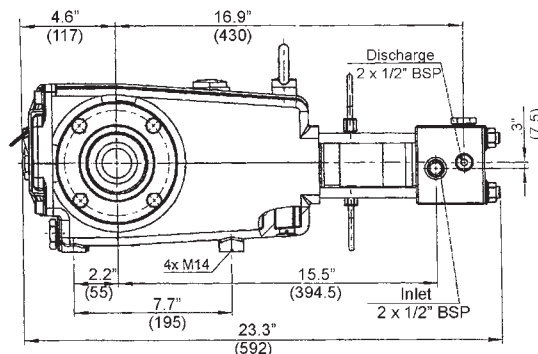
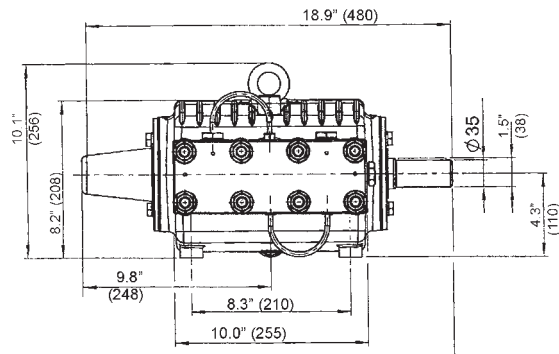
### Common Specifications

	U.S.	(Metric)
Stroke .....	1.81"	(46 mm)
Max Inlet Temp .....	104 °F	(40 °C)
Weight .....	182 lbs	(82.5 kg)
Inlet Port .....	(2) 1/2" BSP	
Discharge Port .....	(2) 1/2" BSP	

### Materials Used

Manifold .....	Stainless Steel
Plunger .....	Special Ceramic
Valves .....	Duplex Steel/Plastic Retainer
Seals .....	Aramid/Teflon Packing
Gear End .....	Spheroidal Cast Iron

### GP5114 and GP5116 DIMENSIONS - INCHES (mm)

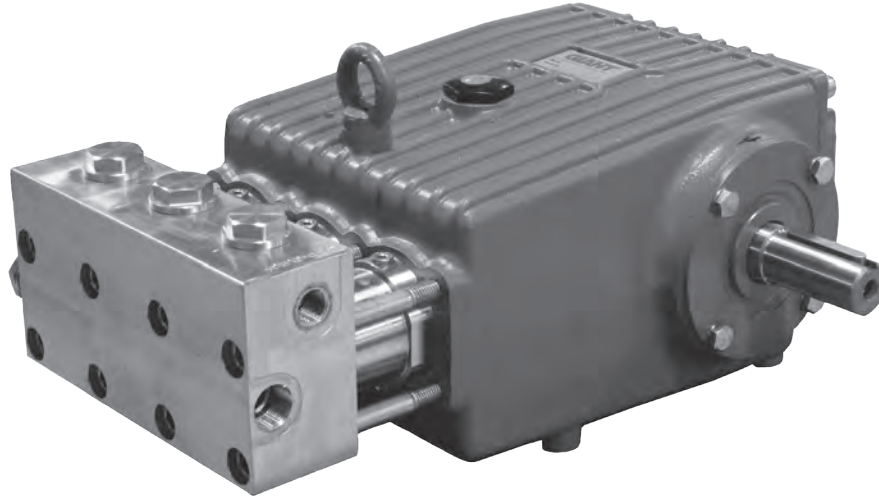


### Repair Kits

Kit	Part Number	List Price
Plunger Packing Kit (GP5116)	09746	\$636.33
Plunger Packing Kit (GP5114)	09807	\$482.29
Valve Kit	09518	\$2,885.52
Oil Seal Kit	09230	\$59.39

## GP5120, GP5122, GP5124

Model	Flow	Pressure	Speed	Power Required	Plunger Diameter	Price
	<b>GPM (LPM)</b>	<b>PSI (Bar)</b>	<b>RPM</b>	<b>HP (kW)</b>	<b>in (mm)</b>	
GP5120	10.6 (40.0)	8700 (600)	1000	63.3 (47.2)	0.79 (20)	\$13,740.00
GP5122	11.9 (45.0)	7250 (500)	930	59.0 (44.0)	0.87 (22)	\$13,740.00
GP5124	13.2 (50.0)	5800 (400)	850	52.8 (39.4)	0.94 (24)	\$13,740.00



### Common Specifications

	U.S.	(Metric)
Stroke .....	1.81"	(46 mm)
Max Inlet Temp .....	140 °F	(60 °C)
Weight .....	176 lbs.	(80 kg)
Inlet Port .....	(2) 3/4" BSP	
Discharge Port.....	(2) 1/2" BSP	

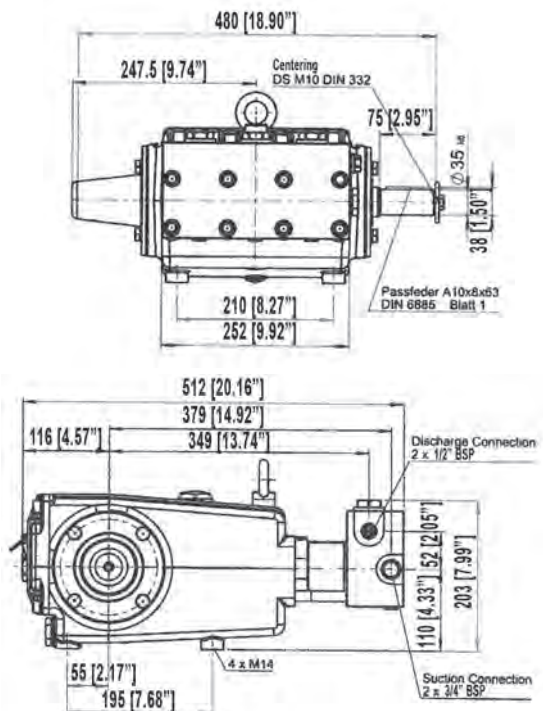
### Materials Used

Manifold.....	Stainless Steel
Plunger .....	Special Ceramic
Valves.....	High Grade Stainless Steel
Seals.....	Aramid/Teflon Packing
Gear End.....	Solid Spheroidal Cast Iron

### Repair Kits

Kit	Part Number	List Price
<b>Plunger Packing Kits:</b>		
(GP5120)	09784	\$845.02
(GP5122)	09785	\$589.42
(GP5124)	09786	\$382.63
Valve Kit	09787	\$732.64
Oil Seal Kit (GP5120)	09783	\$171.40
<b>Oil Seal Kit:</b>		
(GP5122/GP5124)	09230	\$59.39

### GP5120/GP5122/GP5124 DIMENSIONS - INCHES (mm)



## GP5128, GP5132, GP5132-SSP, GP5136, GP5142 & GP5145

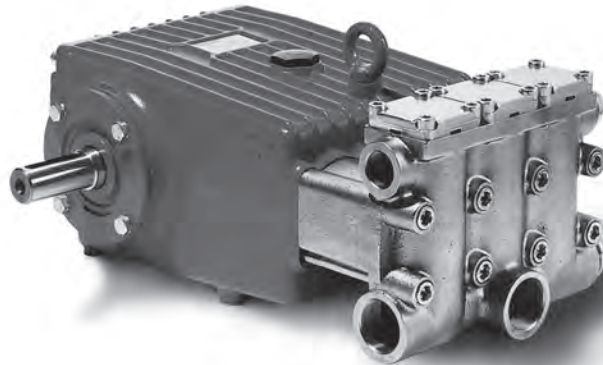
Model	Flow Continuous/ Intermittent	Pressure	Speed	Power Required	Plunger Diameter	Price
	<b>GPM (LPM)</b>	<b>PSI (Bar)</b>	<b>RPM</b>	<b>HP (kW)</b>	<b>in (mm)</b>	
GP5128	20.6 (78.0)	4060 (280)	1000	57.7 (43.0)	1.10 (28)	\$9,010.00
GP5132	27.7 (104.9) / 40.0 (151.0)	2900 (200)	1000	57.0 (42.8)	1.26 (32)	\$9,010.00
GP5132-SSP	27.7 (104.9) / 40.0 (151.0)	2900 (200)	1000	57.0 (42.8)	1.26 (32)	\$9,510.00
GP5136	33.8 (127.8)	2320 (160)	910	56.0 (41.8)	1.42 (36)	\$9,010.00
GP5142	40.4 (152.9)	1885 (130)	800	52.5 (39.2)	1.65 (42)	\$9,010.00
GP5145	43.5 (164.6)	1450 (100)	750	45.0 (33.6)	1.77 (45)	\$9,010.00

### Common Specifications

	U.S.	(Metric)
Stroke .....	1.81"	(46 mm)
Max Inlet Temp .....	140 °F	(60 °C)
Weight .....	179 lbs.	(81 kg)
Inlet Port .....	(3) 1-1/2" NPT	
Discharge Port .....	(2) 1" NPT	

### Materials Used

Manifold .....	Nickel-Plated Spheroidal Cast Iron
Plunger (except -SSP) .....	Solid ceramic oxide
Plunger (-SSP) .....	Stainless Steel
Valves .....	Stainless Steel
Seals .....	Nitrile with fabric reinforcing
Gear End .....	Spheroidal Cast Iron

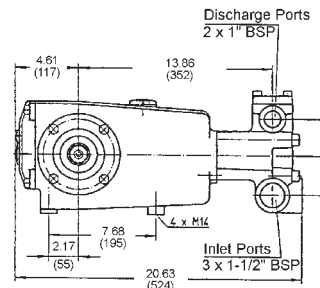
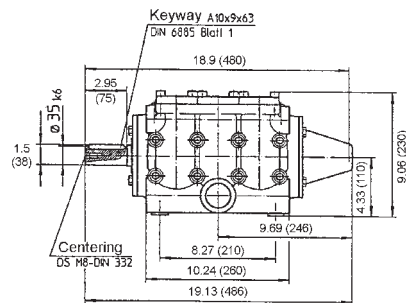


### Repair Kits

Kit	Part Number	List Price
Plunger Packing Kit (GP5128)	09761	\$396.52
Plunger Packing Kit (GP5132)	09290	\$323.76
Plunger Packing Kit (GP5136)	09229	\$273.86
Plunger Packing Kit (GP5142)	09767	\$302.13
Plunger Packing Kit (GP5145)	09228	\$532.20
Valve Assembly Kit (GP5128)	09762*	\$1,906.12
<b>Inlet Valve Kit</b>		
(except GP5128)	09231*	\$218.29
<b>Discharge Valve Kit</b>		
(except GP5128)	09232*	\$257.53
Oil Seal Kit	09230	\$59.39

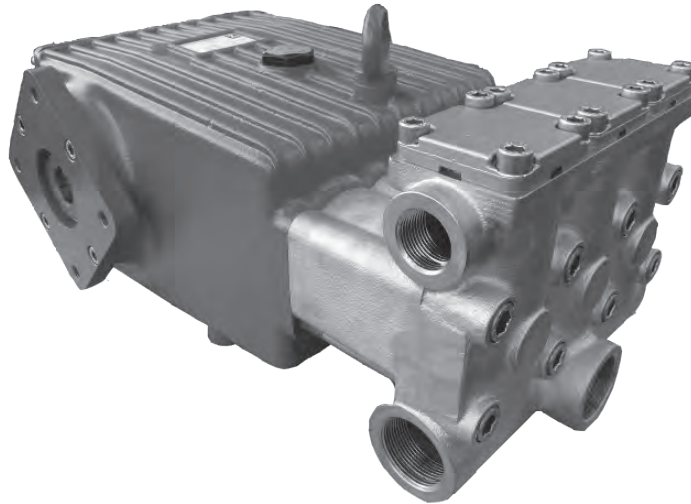
\*One (1) valve assembly/kit

### GP5128/GP5132/GP5136/GP5142/ GP5145 DIMENSIONS - INCHES (mm)



## GP5128-HS, GP5132-HS, GP5136-HS, GP5142-HS & GP5145-HS

Model	Flow Continuous/ Intermittent	Pressure	Speed	Power Required	Plunger Diameter	Price
	GPM (LPM)	PSI (Bar)	RPM	HP (kW)	in (mm)	
GP5128-HS	20.6 (78.0)	4060 (280)	1000	57.7 (43.0)	1.10 (28)	\$9,730.00
GP5132-HS	27.7 (104.9) / 40.0 (151.0)	2900 (200)	1000	57.0 (42.8)	1.26 (32)	\$9,730.00
GP5136-HS	33.8 (127.8)	2320 (160)	910	56.0 (41.8)	1.42 (36)	\$9,730.00
GP5142-HS	40.4 (152.9)	1885 (130)	800	52.5 (39.2)	1.65 (42)	\$9,730.00
GP5145-HS	43.5 (164.6)	1450 (100)	750	45.0 (33.6)	1.77 (45)	\$9,730.00



### Common Specifications

	U.S.	(Metric)
Stroke .....	1.81" .....	(46 mm)
Max Inlet Temp .....	140 °F .....	(60 °C)
Weight .....	179 lbs. ....	(81 kg)
Inlet Port .....	(3) 1-1/2" NPT	
Discharge Port .....	(2) 1" NPT	
Shaft .....	SAE-C flange, C32(Ø31, 75)	

### Materials Used

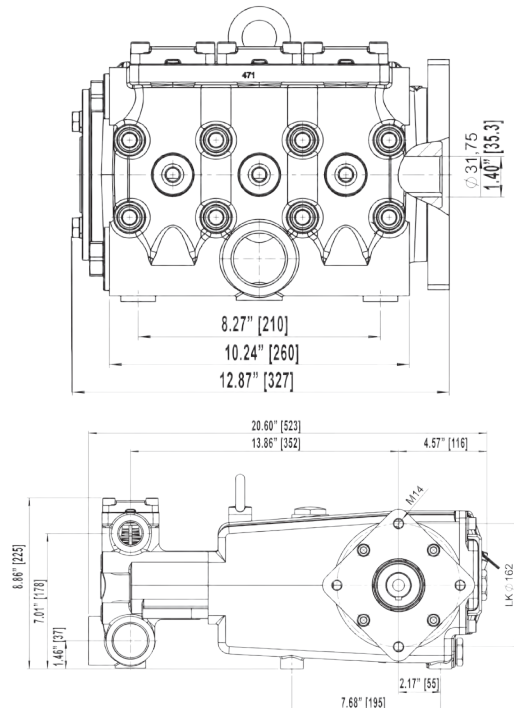
Manifold .....	Nickel-Plated Spheroidal Cast Iron
Plunger .....	Solid ceramic oxide
Valves .....	Duplex Steel/Plastic Retainer
Seals .....	Nitrile with fabric reinforcing
Gear End .....	Spheroidal Cast Iron

### Repair Kits

Kit	Part Number	List Price
Plunger Packing Kit (GP5132)	09290	\$323.76
Plunger Packing Kit (GP5136)	09229	\$273.86
Plunger Packing Kit (GP5145)	09228	\$532.20
Inlet Valve Kit	09231*	\$218.29
Discharge Valve Kit	09232*	\$257.53
Oil Seal Kit	09230	\$59.39

\*One (1) valve assembly/kit

### GP5132-HS/GP5136-HS/GP5145-HS DIMENSIONS - INCHES (mm)

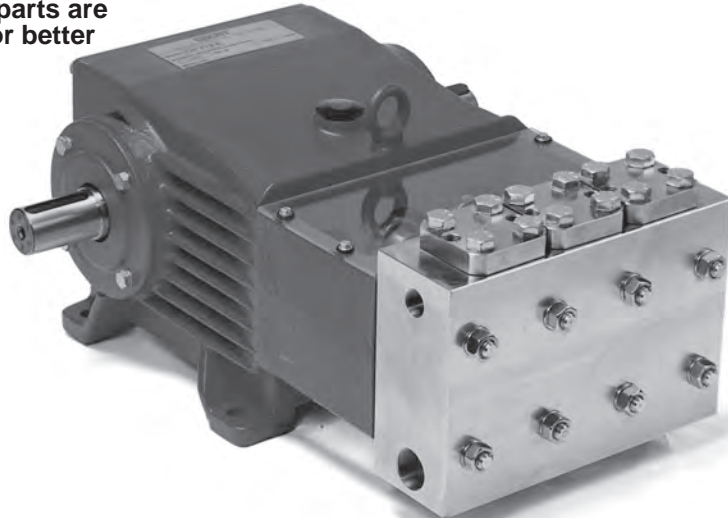




## GP6124, GP6128 & GP6128-4000

Model	Flow	Pressure	Speed	Power Required	Plunger Diameter	Stroke	Price
	<b>GPM (LPM)</b>	<b>PSI (Bar)</b>	<b>RPM</b>	<b>HP (kW)</b>	<b>in (mm)</b>	<b>in (mm)</b>	
GP6124	12.8 (48.5)	6090 (420)	800	53.7 (40.1)	0.94 (24)	1.89 (48)	\$21,975.00
GP6128	18.0 (68.1)	4350 (300)	800	54.0 (40.3)	1.10 (28)	1.89 (48)	\$17,000.00
GP6128-4000*	18.0 (68.1)	4350 (300)	800	54.0 (40.3)	1.10 (28)	1.89 (48)	\$21,795.00

\* All internal wet-end parts are 303 Stainless Steel or better



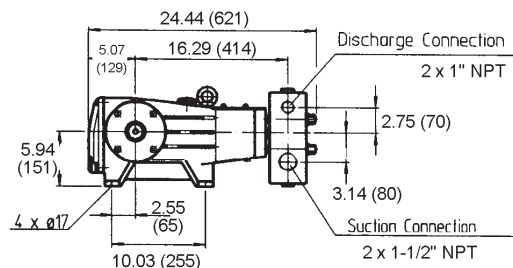
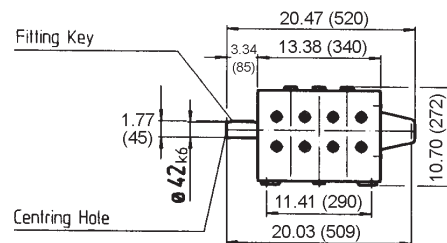
### Common Specifications & Materials

Max Inlet Temp ..... 140 °F ..... (60 °C)  
 Weight ..... 309 lbs ..... (140 kg)  
 Inlet Port ..... (2) 1-1/2" BSP  
 Discharge Port..... (2) 1" BSP

### Materials Used

Manifold ..... AISI 303 S.S.  
 Plunger (GP6124) ..... Hard metal coating  
 Plunger (GP6128) ..... Solid ceramic oxide  
 Valves ..... Duplex Steel  
 Seals (GP6124) ..... Aramid packing  
 Seals (GP6128) .. Nitrile with fabric reinforcing  
 Gear End ..... Spheroidal Cast Iron

### GP6124, GP6128, GP6124-4000 - INCHES (mm)



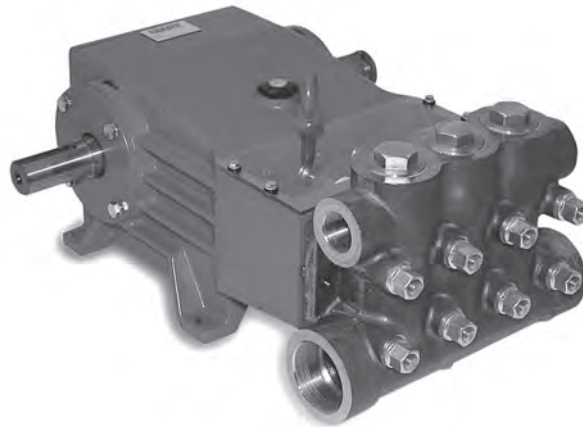
### Repair Kits

Kit	Part Number	List Price
Plunger Packing Kit (GP6124)	09311	\$935.61
Plunger Packing Kit (GP6128)	09302	\$403.66
Valve Kit (GP6124)	09312	\$1,930.87
Valve Kit (GP6128)	09303	\$2,210.08
Oil Seal Kit	09304	\$279.58

## GP6132, GP6132-4000\*, GP6140, GP6140-4000\* GP6145 & GP6145-4000\*

Model	Flow	Pressure	Speed	Power Required	Plunger Diameter	Stroke	Price
	GPM (LPM)	PSI (Bar)	RPM	HP (kW)	in (mm)	in (mm)	
GP6132	23.5 (88.9)	3045 (210)	800	49.0 (36.6)	1.26 (32)	1.89 (48)	\$18,985.00
GP6132-4000*	23.5 (88.9)	3045 (210)	800	49.0 (36.6)	1.26 (32)	1.89 (48)	\$21,175.00
GP6140	36.7 (139)	2175 (150)	800	55.0 (41.0)	1.57 (40)	1.89 (48)	\$18,985.00
GP6140-4000*	36.7 (139)	2175 (150)	800	55.0 (41.0)	1.57 (40)	1.89 (48)	\$21,175.00
GP6145	46.5 (175.9)	1740 (120)	800	55.8 (41.6)	1.77 (45)	1.89 (48)	\$18,985.00
GP6145-4000*	46.5 (175.9)	1740 (120)	800	55.8 (41.6)	1.77 (45)	1.89 (48)	\$21,175.00

\* All internal wet-end parts are 303 Stainless Steel or better



### Common Specifications & Materials

	U.S.	(Metric)
Stroke .....	1.89"	(48 mm)
Max Inlet Temp .....	140 °F	(60 °C)
Weight .....	309 lbs	(140 kg)
Inlet Port .....	(2) 2-1/2" BSP	
Discharge Port .....	(2) 1-1/4" BSP	

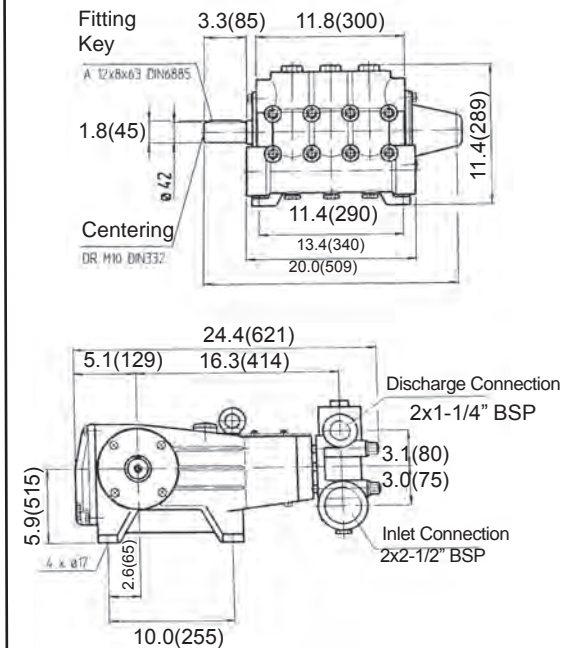
### Materials Used

Manifold .....	Bronze
Manifold (-4000 Series) .....	Stainless Steel
Plunger .....	Solid ceramic oxide
Valves .....	Duplex Steel
Valves (-4000 Series) .....	Stainless Steel
Seals .....	Nitrile with fabric reinforcing
Gear End .....	Spheroidal Cast Iron

### Repair Kits

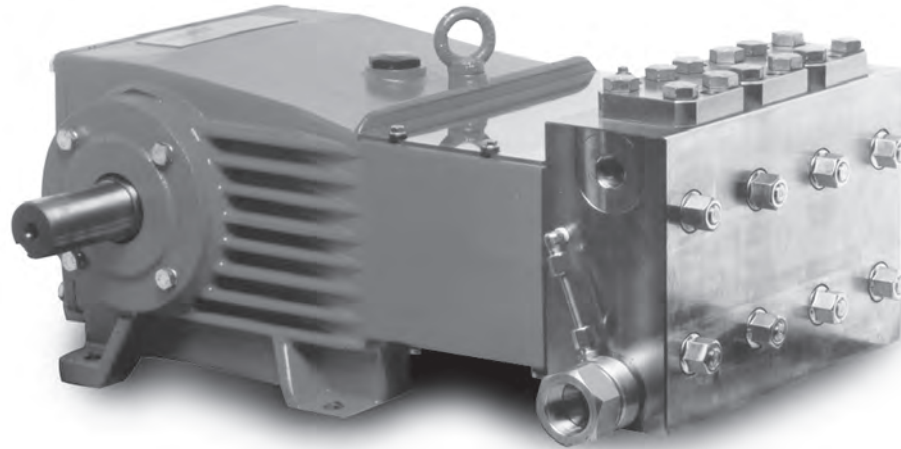
Kit	Part Number	List Price
Plunger Packing Kit (GP6132)	09319	\$790.94
Plunger Packing Kit (GP6140-4000)	09622	\$1,317.27
Plunger Packing Kit (GP6145-4000)	09623	\$939.26
Valve Kit (GP6132)	09320	\$2,796.86
Valve Kit (GP6140-4000, GP6145-4000)	09624	\$3,203.04
Oil Seal Kit (GP6132)	09304	\$279.58
Oil Seal Kit (GP6140/GP6145-4000)	09625	\$32.23

### GP6132, GP6140, GP6145 GP6132-4000, GP6140-4000, GP6145-4000 INCHES (mm)



## GP7122 & GP7124A-4000

Model	Flow	Pressure	Speed	Power Required	Plunger Diameter	Stroke	Price
	<b>GPM (LPM)</b>	<b>PSI (Bar)</b>	<b>RPM</b>	<b>HP (kW)</b>	<b>in (mm)</b>	<b>in (mm)</b>	
GP7122	9.9 (37.5)	10,150 (700)	750	69.3 (51.7)	0.87 (22)	2.0 (52)	\$30,735.00
GP7124A-4000	12.7 (48.0)	7250 (500)	750	63.5 (47.4)	0.94 (24)	2.0 (52)	\$30,735.00



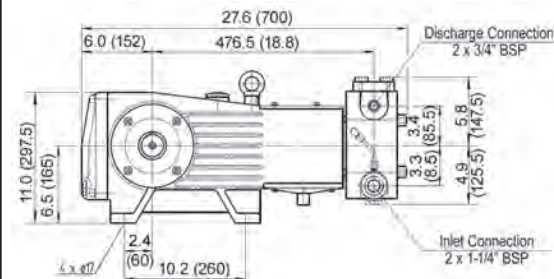
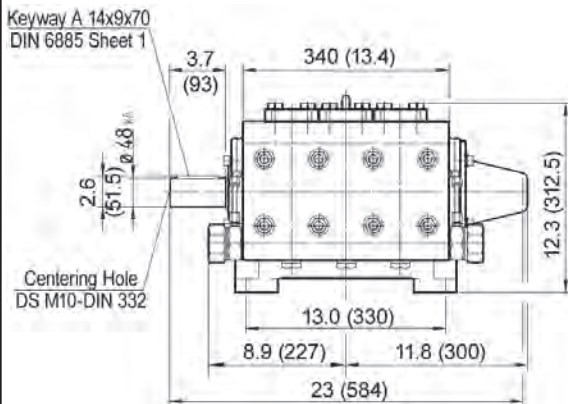
### Common Specifications & Materials

	U.S.	(Metric)
Max Inlet Temp .....	140 °F	(60 °C)
Weight .....	374 lbs	(170 kg)
Inlet Ports .....	(2) 1-1/4" BSP	
Discharge Ports .....	(2) 3/4" BSP	

#### Materials Used

Manifold (GP7122/GP7124).....	AISI 415 Stainless steel
Plunger (GP7122/GP7124/GP7128) .....	Hard metal coating
Valves (GP7124, GP7124A-4000 & GP7136).....	Stainless Steel
Seals (GP7122 & GP7124).....	Aramid
Gear End .....	Spheroidal cast iron

### GP7122 AND GP7124A-4000 DIMENSIONS - INCHES (mm)



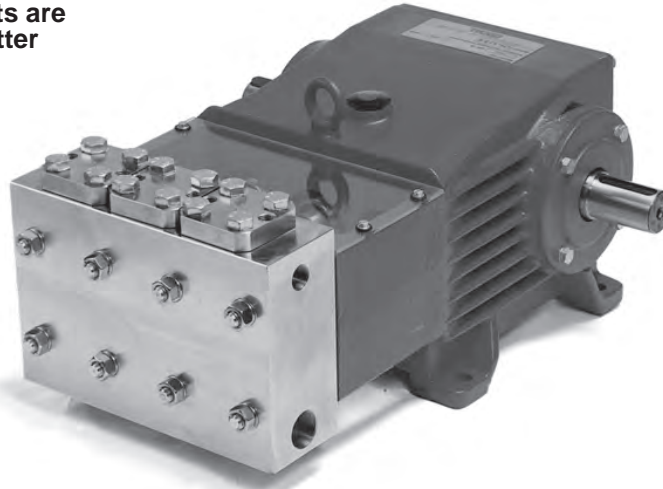
### Repair Kits

Kit	Part Number	List Price
Plunger Packing Kit (GP7122)	09701	\$1,747.61
Plunger Packing Kit (GP7124)	09224	\$2,107.35
Inlet Valve Kit (GP7122)	09702*	\$651.39
Inlet Valve Kit (GP7124)	09226*	\$564.78
Discharge Valve Kit (GP7122)	09703*	\$629.87
Discharge Valve Kit (GP7124)	09227*	\$438.37
Oil Seal Kit (All)	09221	\$147.81

## GP7128, GP7132, GP7136 & GP7136-4000

Model	Flow	Pressure	Speed	Power Required	Plunger Diameter	Stroke	Price
	<b>GPM (LPM)</b>	<b>PSI (Bar)</b>	<b>RPM</b>	<b>HP (kW)</b>	<b>in (mm)</b>	<b>in (mm)</b>	
GP7128	17.9 (67.7)	5800 (400)	750	71.6 (53.4)	1.10 (28)	2.0 (52)	\$33,400.00
GP7132	23.4 (88.5)	4350 (300)	750	70.2 (52.4)	1.30 (32)	2.0 (52)	\$29,610.00
GP7136	28.3 (107.3)	3625 (250)	750	71.2 (53.1)	1.42 (36)	2.0 (52)	\$30,735.00
GP7136-4000*	28.3 (107.3)	3625 (250)	750	71.2 (53.1)	1.42 (36)	2.0 (52)	\$33,500.00

\* All internal wet-end parts are 303 Stainless Steel or better



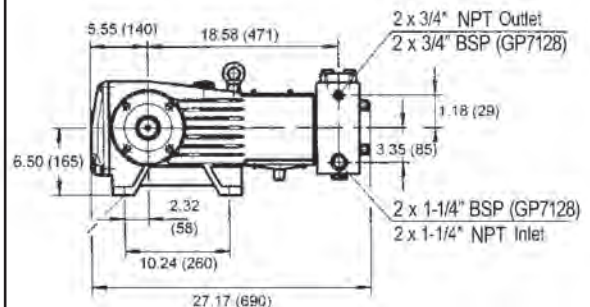
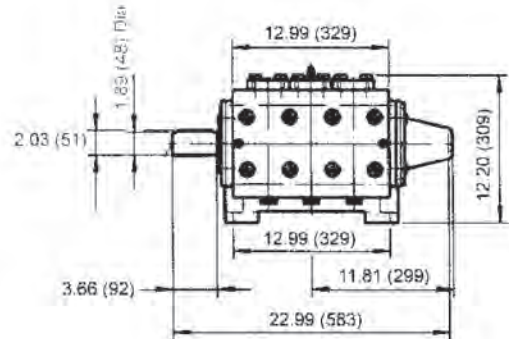
### Common Specifications & Materials

	U.S.	(Metric)
Max Inlet Temp .....	140 °F	(60 °C)
Weight .....	374 lbs	(170 kg)
Inlet Ports (except GP7128) .....	(2) 1-1/4" NPT	
Inlet Ports (GP7128) .....	(2) 1-1/4" BSP	
Discharge Ports (except GP7128) .....	(2) 3/4" NPT	
Discharge Ports (GP7128) .....	(2) 3/4" BSP	

### Materials Used

Manifold .....	AISI 303 Stainless steel
Plungers (GP7128) .....	Hard metal coating
Plungers (GP7132, GP7136) .....	Solid ceramic oxide
Valves (GP7128 & GP7136) .....	Duplex steel
Valves (GP7136) .....	Stainless Steel
Seals (GP7128, GP7132 & GP7136) .....	Nitrile w/fabric reinforcing
Gear End .....	Spheroidal cast iron

### GP7128, GP7132 AND GP7136 DIMENSIONS - INCHES (mm)



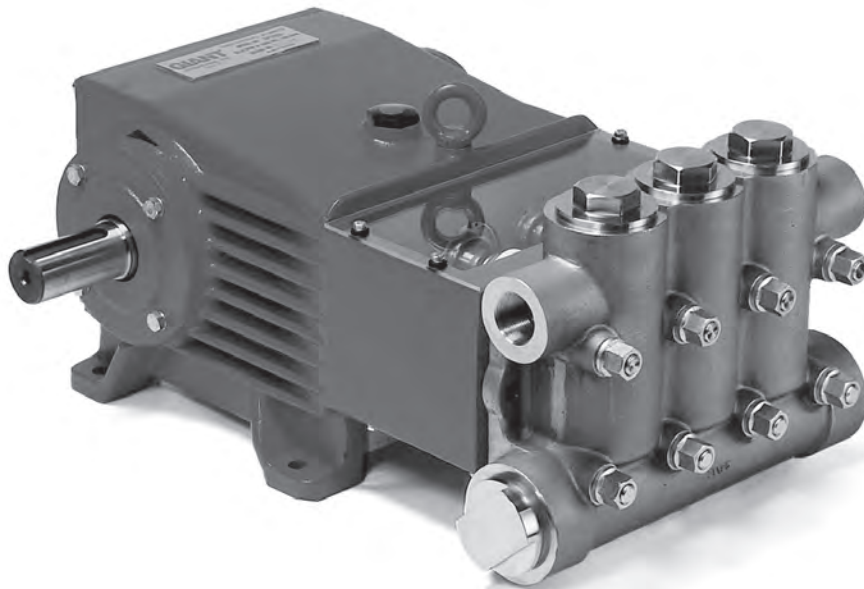
### Repair Kits

Kit	Part Number	List Price
Plunger Packing Kit (GP7128)	09464	\$1,342.74
Plunger Packing Kit (GP7132)	09519	\$700.74
Plunger Packing Kit (GP7136)	09544	\$821.32
Valve Kit	09520	\$1,969.57
Oil Seal Kit (All)	09221	\$147.81

\*One(1) valve assembly / kit

## GP7142, GP7150 & GP7155

Model	Flow	Pressure	Speed	Power Required	Plunger Diameter	Stroke	Price
	<b>GPM (LPM)</b>	<b>PSI (Bar)</b>	<b>RPM</b>	<b>HP (kW)</b>	<b>in (mm)</b>	<b>in (mm)</b>	
GP7142	38.4 (145.3)	2610 (180)	700	69.1 (51.5)	1.65 (42)	2.0 (52)	\$28,470.00
GP7150	54.4 (205.8)	1900 (131)	700	71.3 (53.2)	1.97 (50)	2.0 (52)	\$29,695.00
GP7155	65.8 (249.1)	1500 (100)	700	68.0 (50.7)	2.17 (55)	2.0 (52)	\$29,695.00



### Common Specifications & Materials

	U.S.	(Metric)
Max Inlet Temp .....	140 °F	(60 °C)
Weight .....	374 lbs	(170 kg)
Inlet Port .....	(2) 2-1/2" NPT	
Discharge Port.....	(2) 1-1/4" NPT	

### Materials Used

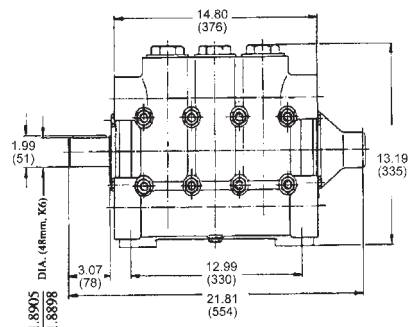
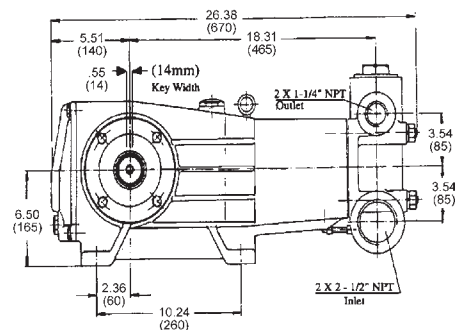
Manifold .....	Aluminum Bronze
Plungers .....	Ceramic
Valves .....	Duplex steel
Seals.....	Nitrile with fabric reinforcing
Gear End .....	Spheroidal cast iron

### Repair Kits

Kit	Part Number	List Price
Plunger Packing Kit (GP7142)	09766	\$287.38
Plunger Packing Kit (GP7150)	09526	\$621.14
Plunger Packing Kit (GP7155, GP7142)	09220	\$637.98
Valve Kit (GP7142)	09765	\$2,188.66
Valve Kit (GP7150/GP7155)	09614 <sup>+</sup>	\$467.67
Oil Seal Kit (All)	09221	\$147.81

<sup>+</sup>One(1) Valve assembly / kit

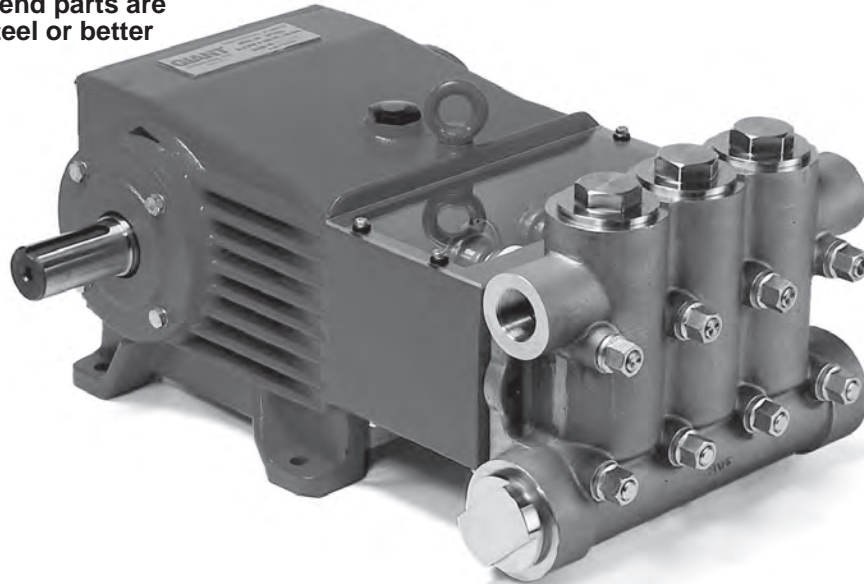
### GP7142, GP7150, GP7155 DIMENSIONS - INCHES (mm)



## GP7142-4000 GP7150-4000, GP7155-4000 & GP7170-4000

Model	Flow	Pressure	Speed	Power Required	Plunger Diameter	Stroke	Price
	<b>GPM (LPM)</b>	<b>PSI (Bar)</b>	<b>RPM</b>	<b>HP (kW)</b>	<b>in (mm)</b>	<b>in (mm)</b>	
GP7142-4000*	38.4 (145.3)	2610 (180)	700	69.1 (51.5)	1.65 (42)	2.0 (52)	\$33,500.00
GP7150-4000*	54.4 (205.8)	1900 (131)	700	71.3 (53.2)	1.97 (50)	2.0 (52)	\$33,500.00
GP7155-4000*	65.8 (249.1)	1500 (100)	700	68.0 (50.7)	2.17 (55)	2.0 (52)	\$33,500.00
GP7170-4000*	84.5 (320)	1450 (100)	700	87.4 (65.2)	2.48 (63)	2.0 (52)	\$69,020.00

\* All internal wet-end parts are 303 Stainless Steel or better



### Common Specifications & Materials

Stroke	U.S. 2.0"	(Metric) (52 mm)
Max Inlet Temp	140 °F	(60 °C)
Weight	374 lbs	(170 kg)
Inlet Port	(2) 2-1/2" NPT	
Discharge Port	(2) 1-1/4" NPT	

### Materials Used

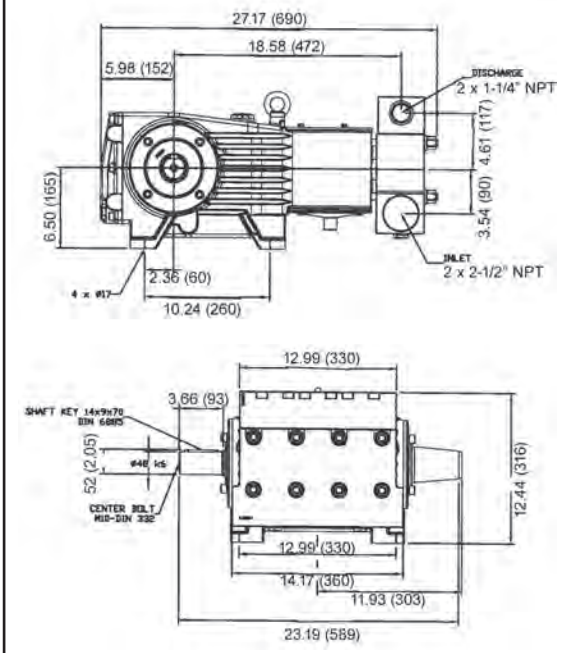
Plungers	Ceramic
Valves	Duplex steel
Seals	Nitrile with fabric reinforcing
Gear End	Spheroidal cast iron

### Repair Kits

Kit	Part Number	List Price
Plunger Packing Kit (GP7142)	09766	\$287.38
Plunger Packing Kit (GP7150)	09526	\$621.14
Plunger Packing Kit (GP7155, GP7142)	09220	\$637.98
Valve Kit (GP7142)	09765	\$2,188.66
Valve Kit (GP7150/GP7155)	09614 <sup>+</sup>	\$467.67
Oil Seal Kit (All)	09221	\$147.81

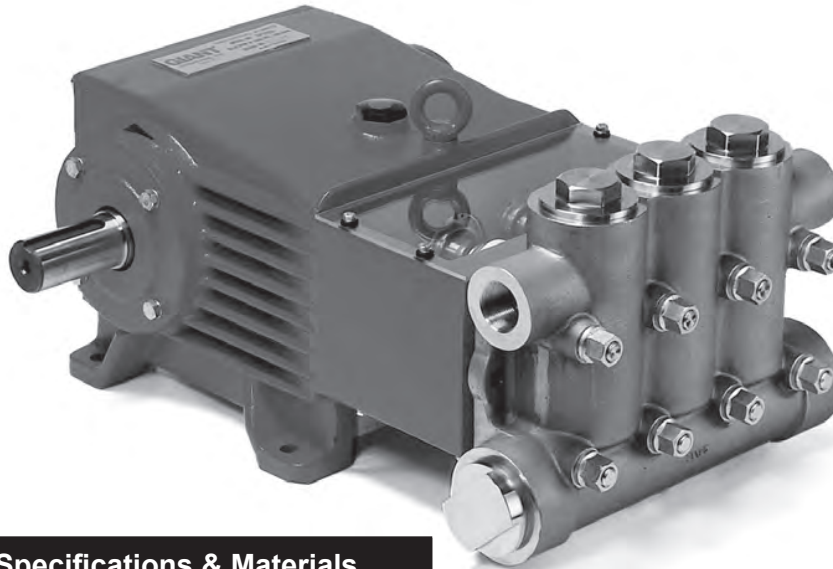
<sup>+</sup>One(1) Valve assembly / kit

### GP7142-4000, GP7150-4000, GP7155-4000, GP7170-4000 DIMENSIONS - INCHES (mm)



## GP7145

Model	Flow Continuous/ Intermittent	Pressure	Speed Continuous/ Intermittent	Power Required	Plunger Diameter	Price
	GPM (LPM)	PSI (Bar)	RPM	HP (kW)	in (mm)	
GP7145	47.5 (180) / 60.0 (227)	3000 (200)	750 / 947	95.0 (70.9)	1.77 (45)	\$19,170.00
GP7145-SSP	47.5 (180) / 60.0 (227)	3000 (200)	750 / 947	95.0 (70.9)	1.77 (45)	\$20,325.00
GP7145-SSV	47.5 (180) / 60.0 (227)	3000 (200)	750 / 947	95.0 (70.9)	1.77 (45)	\$20,420.00
GP7145-5000	47.5 (180)	3000 (200)	750	95.0 (70.9)	1.77 (45)	\$37,140.00



### Common Specifications & Materials

	U.S.	(Metric)
Stroke .....	2.0"	(52 mm)
Max Inlet Temp .....	140 °F	(60 °C)
Weight .....	374 lbs	(170 kg)
Inlet Port .....	(2) 2-1/2" NPT	
Discharge Port .....	(2) 1-1/4" NPT	

#### Materials Used

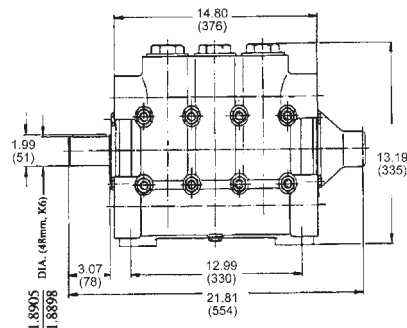
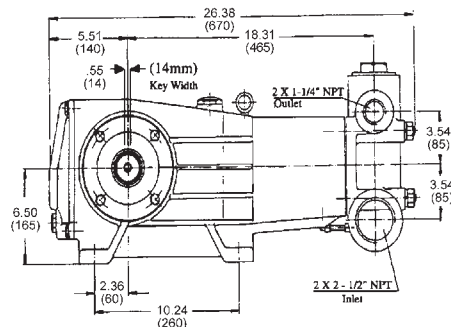
Plungers .....	Solid ceramic oxide
Plungers (-SSP versions) .....	Stainless Steel
Valves .....	Duplex steel
Valves (-SSV versions) .....	Stainless Steel
Seals .....	Nitrile with fabric reinforcing
Gear End .....	Spheroidal cast iron

### Repair Kits

Kit	Part Number	List Price
Plunger Packing Kit (GP7145)	09603	\$648.05
Plunger Packing Kit (GP7255)	09220	\$637.98
Inlet Valve Kit (GP7145/GP7255A)	09659 <sup>+</sup>	\$320.35
Discharge Valve Kit (GP7145/GP7255A)	09660 <sup>+</sup>	\$356.23
Oil Seal Kit (All)	09221	\$147.81

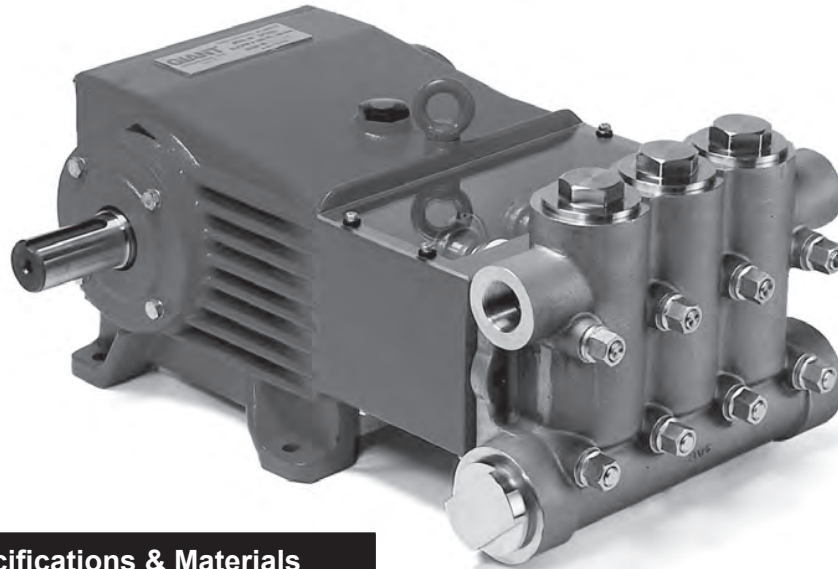
<sup>+</sup>One(1) Valve assembly / kit

### GP7145, GP7255 DIMENSIONS - INCHES (mm)



## GP7255

Model	Flow Continuous/ Intermittent	Pressure Continuous/ Intermittent	Speed Continuous/ Intermittent	Power Required	Price
	GPM (LPM)	PSI (Bar)	RPM	HP (kW)	
GP7255A	65.8 (250) / 80 (303)	1500 (100) / 2000 (140)	750 / 851	68.0 (50.7)	\$19,170.00
GP7255A-SSP	65.8 (250) / 80 (303)	1500 (100) / 2000 (140)	750 / 851	68.0 (50.7)	\$20,325.00
GP7255A-SSV	65.8 (250) / 80 (303)	1500 (100) / 2000 (140)	750 / 851	68.0 (50.7)	\$20,420.00
GP7255-5000	65.8 (250)	1500 (100)	750	68.0 (50.7)	\$33,500.00



### Common Specifications & Materials

	U.S.	(Metric)
Plunger .....	2.17"	(55 mm)
Stroke .....	2.0"	(52 mm)
Max Inlet Temp .....	140 °F	(60 °C)
Weight .....	374 lbs	(170 kg)
Inlet Port .....	(2) 2-1/2" NPT	
Discharge Port .....	(2) 1-1/4" NPT	

### Materials Used

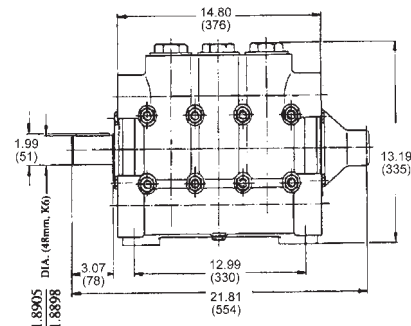
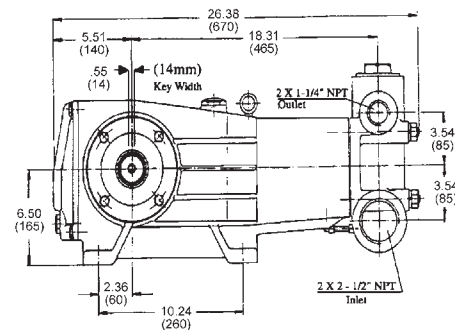
Plungers .....	Solid ceramic oxide
Plungers (-SSP versions) .....	Stainless Steel
Valves .....	Duplex steel
Valves (-SSV versions) .....	Stainless Steel
Seals .....	Nitrile with fabric reinforcing
Gear End .....	Spheroidal cast iron

### Repair Kits

Kit	Part Number	List Price
Plunger Packing Kit (GP7145)	09603	\$648.05
Plunger Packing Kit (GP7255)	09220	\$637.98
Inlet Valve Kit (GP7145/GP7255A)	09659 <sup>+</sup>	\$320.35
Discharge Valve Kit (GP7145/GP7255A)	09660 <sup>+</sup>	\$356.23
Oil Seal Kit (All)	09221	\$147.81

<sup>+</sup>One(1) Valve assembly / kit

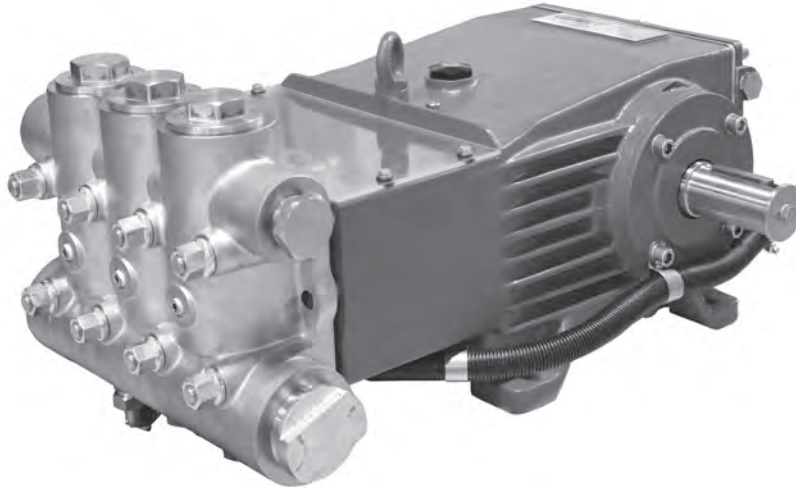
### GP7145, GP7255 DIMENSIONS - INCHES (mm)





## GP7645, GP7650 & GP7655

Model	Flow	Pressure	Speed	Power Required	Plunger Diameter	Price
	GPM (LPM)	PSI (Bar)	RPM	HP (kW)	in (mm)	
GP7645	55.5 (210)	3000 (200)	800	115 (85.8)	1.77 (45)	\$21,545.00
GP7650	69.7 (264)	2540 (175)	800	122 (91.0)	1.97 (50)	\$21,545.00
GP7655	84.5 (320)	2000 (140)	800	117 (87.3)	2.17 (55)	\$21,545.00



### Common Specifications & Materials

	U.S.	(Metric)
Stroke .....	2.28"	(58 mm)
Max. Inlet Temperature .....	86 °F	(30 °C)
Weight .....	408 lbs	(185 kg)
Crankcase Oil Capacity .....	1.6 Gal	(6.0 Liters)
Inlet Ports .....	(2) 2-1/2" NPT	
Outlet Ports .....	(2) 1-1/4" NPT	

#### Materials Used

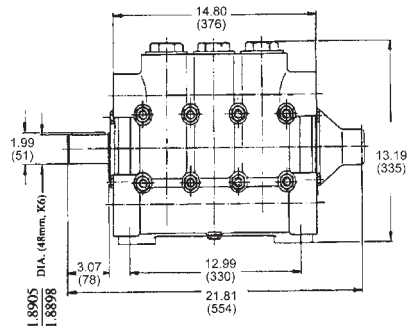
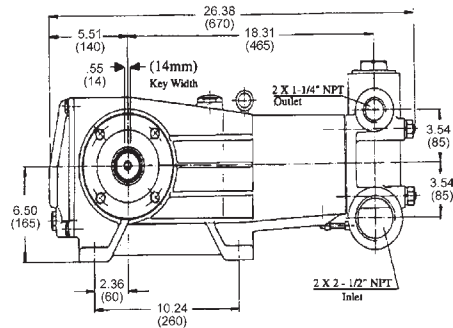
Plunger .....	Solid ceramic oxide
Valves .....	Stainless Steel
Seals .....	Nitrile with Fabric Reinforcing
Crankcase .....	Nickel Plated Spheroidal Cast Iron

### Repair Kits

Kit	Part Number	List Price
Plunger Packing Kit (GP7645):	09603	\$648.05
Plunger Packing Kit (GP7655):	09220	\$637.98
Inlet Valve Kit:	09659*	\$320.35
Discharge Valve Kit:	09660*	\$356.23
Oil Seal Kit:	09221	\$147.81

\* One Valve Assembly per kit

### GP7645/GP7650/GP7655 Dimensions



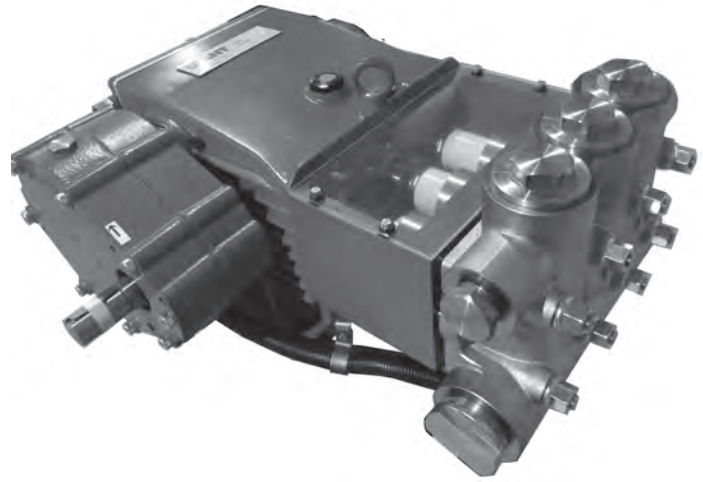
## GP7645GB, GP7650GB & GP7655GB

Model	Flow	Pressure	Speed	Power Required	Plunger Diameter	Price
	GPM (LPM)	PSI (Bar)	RPM	HP (kW)	in (mm)	
GP7636GB	36.4 (137.7)	3800 (262)	900	95.3 (71.0)	1.4 (36)	\$35,385.00
GP7645GB	55.5 (210)	3000 (200)	800	115 (85.8)	1.77 (45)	\$23,800.00
GP7650GB	69.7 (264)	2540 (175)	800	122 (91.0)	1.97 (50)	\$23,800.00
GP7655GB	84.5 (320)	2000 (140)	800	117 (87.3)	2.17 (55)	\$23,800.00

### Ratios Available:

Gearbox with Hollow Shaft Versions -  
1.9:1, 2.25:1, 2.44:1 and 2.73:1

Gear Ratio	Input Speed
1.9	1500
2.25	1800
2.44	1950
2.73	2200



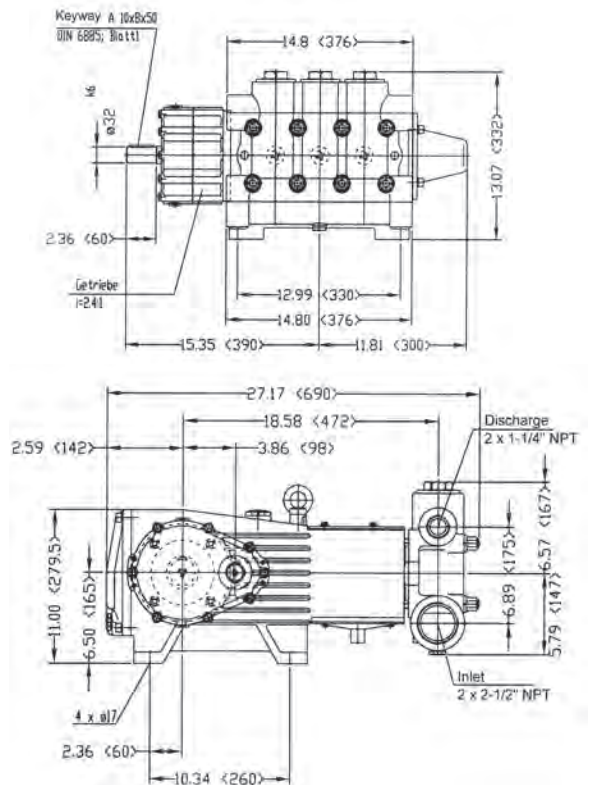
### Common Specifications & Materials

	U.S.	(Metric)
Stroke .....	2.28"	(58 mm)
Max. Inlet Temperature .....	86 °F	(30 °C)
Weight .....	469 lbs	(213 kg)
Crankcase Oil Capacity .....	2.1 Gal	(8 Liters)
Inlet Ports .....	(2) 2-1/4" NPT	
Outlet Ports .....	(2) 1-1/4" NPT	

#### Materials Used

Plunger .....	Solid ceramic oxide
Valves .....	Stainless Steel
Seals .....	Nitrile with Fabric Reinforcing
Crankcase .....	Nickel Plated Spheroidal Cast Iron

### Solid Pinion Shaft Drive with gearbox



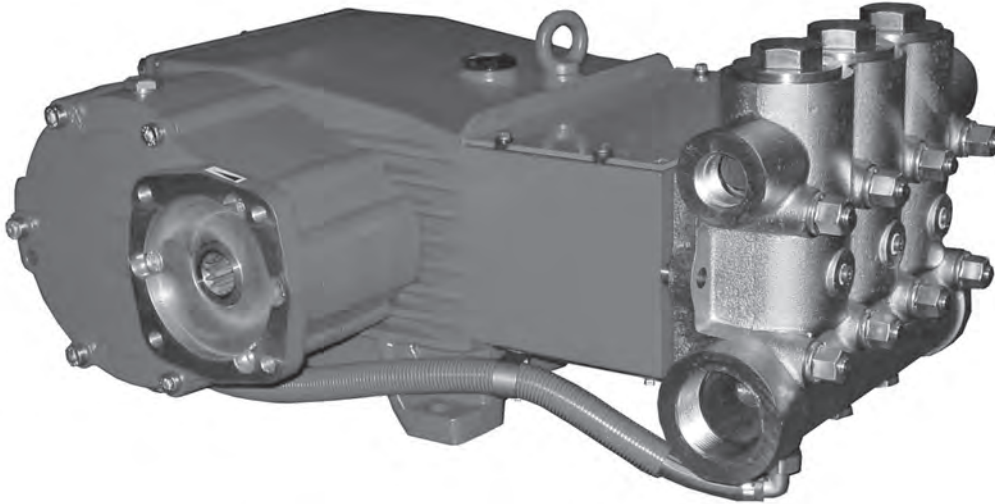
### Repair Kits

Kit	Part Number	List Price
Plunger Packing Kit (GP7645):	09603	\$648.05
Plunger Packing Kit (GP7655):	09220	\$637.98
Inlet Valve Kit:	09659*	\$320.35
Discharge Valve Kit:	09660*	\$356.23
Oil Seal Kit:	09221	\$147.81

\* One Valve Assembly per kit

# GP7645GBHS, GP7650GBHS & GP7655GBHS

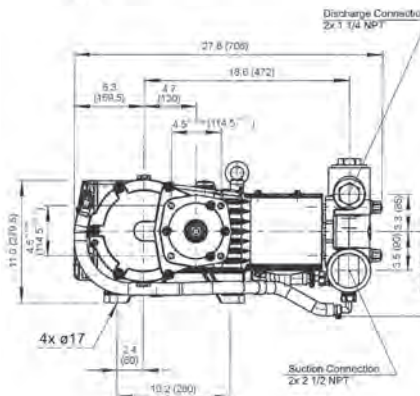
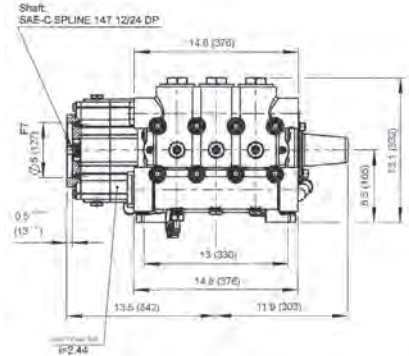
Model	Flow	Pressure	Speed	Power Required	Plunger Diameter	Price
	GPM (LPM)	PSI (Bar)	RPM	HP (kW)	in (mm)	
GP7645GBHS	55.5 (210)	3000 (200)	800	115 (85.8)	1.77 (45)	\$24,530.00
GP7650GBHS	69.7 (264)	2540 (175)	800	122 (91.0)	1.97 (50)	\$24,530.00
GP7655GBHS	84.5 (320)	2000 (140)	800	117 (87.3)	2.17 (55)	\$24,530.00



\*Gearbox available in the following orientation:  
0°, 90°, 180° and 270°

Gear Ratio	Input Speed
1.87	1500
2.25	1800
2.73	2200

Hydraulic Drive with gearbox



### Common Specifications & Materials

	U.S.	(Metric)
Stroke .....	2.28"	(58 mm)
Max. Inlet Temperature .....	86 °F	(30 °F)
Weight .....	476 lbs	(216 kg)
Crankcase Oil Capacity .....	2.1 Gal	(8 Liters)
Inlet Ports .....	(2) 2-1/4" NPT	
Outlet Ports .....	(2) 1-1/4" NPT	

#### Materials Used

Plunger .....	Solid ceramic oxide
Valves .....	Duplex Stainless Steel
Seals .....	Nitrile with Fabric Reinforcing
Crankcase .....	Nickel Plated Spheroidal Cast Iron

## GP8035, GP8135, GP8040 & GP8140

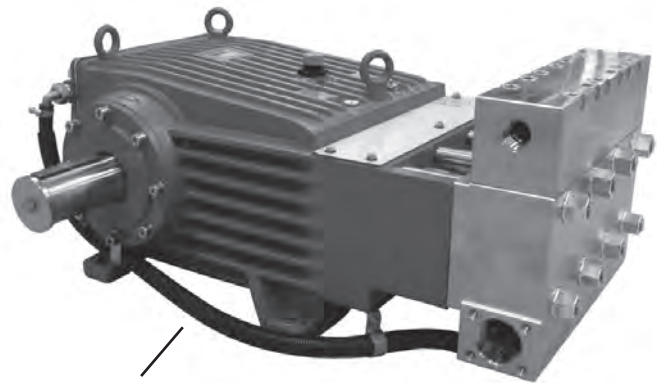
Model	Flow	Pressure	Speed	Power Required	Plunger Diameter	Price
	<b>GPM (LPM)</b>	<b>PSI (Bar)</b>	<b>RPM</b>	<b>HP (kW)</b>	<b>in (mm)</b>	
GP8035	29.0 (110)	7250 (500)	580	154 (108)	1.38 (35)	\$52,485.00
GP8040	38.0 (144)	5510 (380)	580	144 (107)	1.57 (40)	\$52,485.00
GP8135*	29.0 (110)	7250 (500)	580	154 (108)	1.38 (35)	\$56,190.00
GP8140*	38.0 (144)	5510 (380)	580	144 (107)	1.57 (40)	\$56,190.00

### Common Specifications & Materials

	U.S.	(Metric)
Stroke .....	2.83"	(72 mm)
Max. Inlet Temperature.....	86 °F	(30 °C)
Weight (w/ gearbox) .....	793 lbs	(360 kg)
Crankcase Oil Capacity .....	3.7 Gal	(14.0 Liters)
Inlet Ports .....	(2) 2" NPT	
Outlet Ports.....	(2) 1" NPT	

#### Materials Used

Plunger .....	AISI 303 Stainless Steel
Valves .....	Stainless Steel
Seals .....	Nitrile with Fabric Reinforcing
Crankcase .....	Nickel Plated Spheroidal Cast Iron



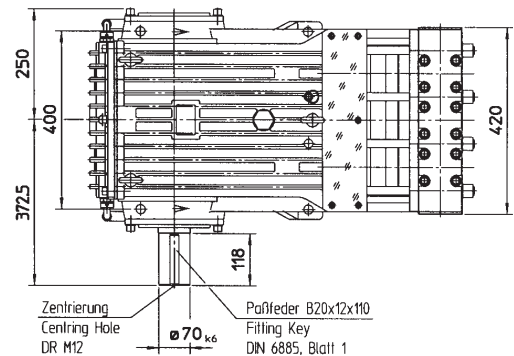
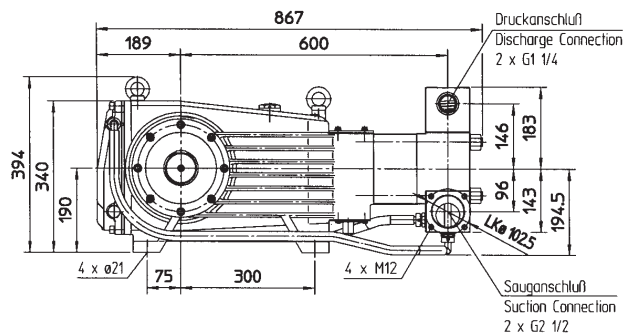
Integrated water - cooled gear end on all pumps

#### \*Ratios Available:

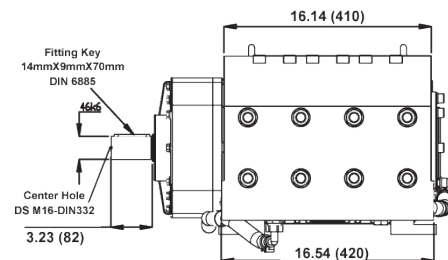
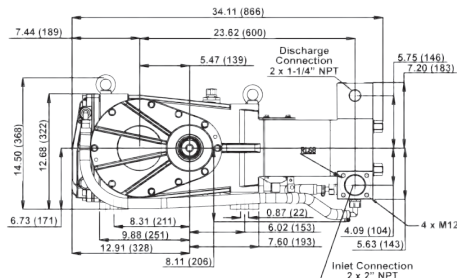
Gearbox with Solid Pinion Shaft Versions -  
1.28:1, 2.6:1, 3.1:1, 3.8:1 and 4.5:1

\*Gearbox available in the following orientation:  
0°, 90°, 180° and 270°

#### GP8035/GP8045 - Dimensions in millimeters



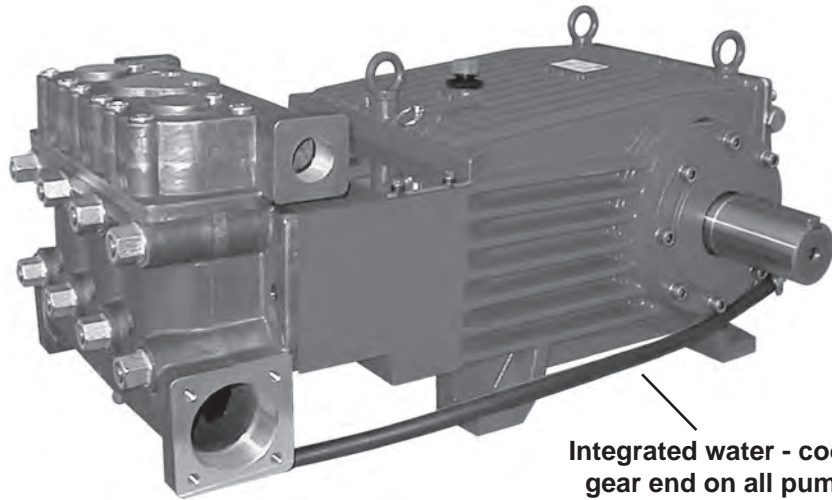
#### GP8135/GP8145 - Dimensions in millimeters



## GP8040, GP8045, GP8048, GP8055, GP8060 & GP8065

### High Flow Pumps

Model	Flow	Pressure	Speed	Power Required	Plunger Diameter	Price
	<b>GPM (LPM)</b>	<b>PSI (Bar)</b>	<b>RPM</b>	<b>HP (kW)</b>	<b>in (mm)</b>	
GP8045	48.8 (185)	4350 (300)	580	146 (109)	1.77 (45)	\$33,110.00
GP8048	56.3 (213)	3770 (260)	580	148 (110)	1.89 (48)	\$33,110.00
GP8055	75.2 (285)	2900 (200)	580	150 (112)	2.17 (55)	\$34,110.00
GP8060	90.0 (340)	2465 (170)	580	153 (114)	2.36 (60)	\$34,110.00
GP8065	105.6 (400)	2030 (140)	580	174 (130)	2.55 (65)	\$34,110.00



Integrated water - cooled gear end on all pumps

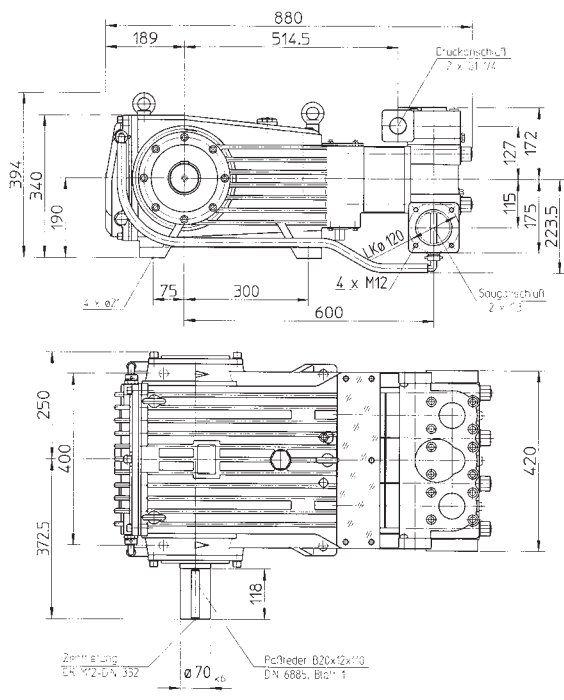
#### Common Specifications & Materials

	<b>U.S.</b>	<b>(Metric)</b>
Stroke .....	2.83"	(72 mm)
Max. Inlet Temperature .....	86 °F	(30 °C)
Weight .....	771 lbs	(350 kg)
Crankcase Oil Capacity .....	3.3 Gal	(12.5 Liters)
Inlet Ports .....	(2) 3" BSP	
Outlet Ports .....	(2) 1-1/4" BSP	

#### Materials Used

Plunger .....	Solid Ceramic Oxide
Valves .....	Duplex Stainless Steel
Seals .....	Nitrile with Fabric Reinforcing
Crankcase .....	Nickel Plated Spheroidal Cast Iron

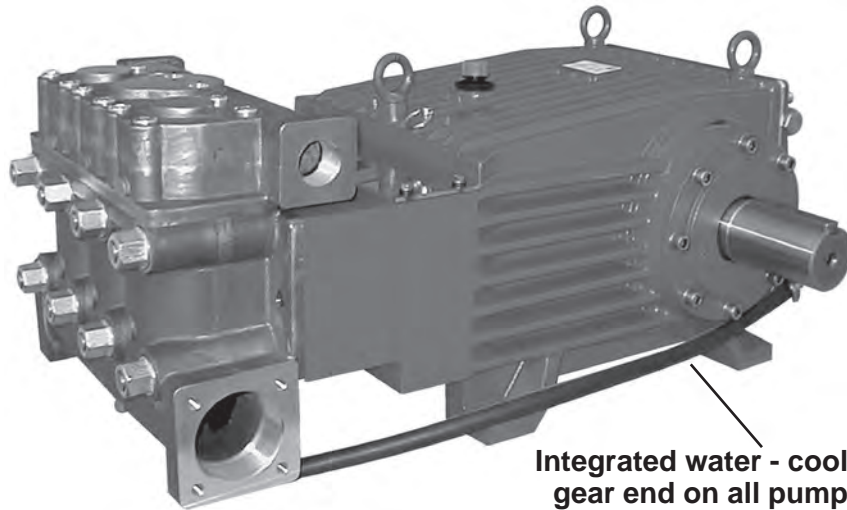
#### Dimensions in millimeters



## GP8055-1000/GP8060-1000/GP8065-1000

## GP8055-Brine/GP8060-Brine/GP8065-Brine

Model	Flow	Pressure	Speed	Power Required	Plunger Diameter	Price
	GPM (LPM)	PSI (Bar)	RPM	HP (kW)	in (mm)	
GP8055-1000	75.2 (285)	2900 (200)	580	150 (112)	2.17 (55)	\$52,290.00
GP8060-1000	90.0 (340)	2465 (170)	580	153 (114)	2.36 (60)	\$52,290.00
GP8065-1000	105.6 (400)	2030 (140)	580	146 (109)	2.55 (65)	\$52,290.00
GP8055-Brine	74.8 (283)	3000 (200)	580	150 (112)	2.17 (55)	\$52,290.00
GP8060-Brine	89.8 (340)	2465 (170)	580	153 (114)	2.36 (60)	\$52,290.00
GP8065-Brine	105.6 (400)	2000 (140)	580	146 (109)	2.55 (65)	\$52,290.00



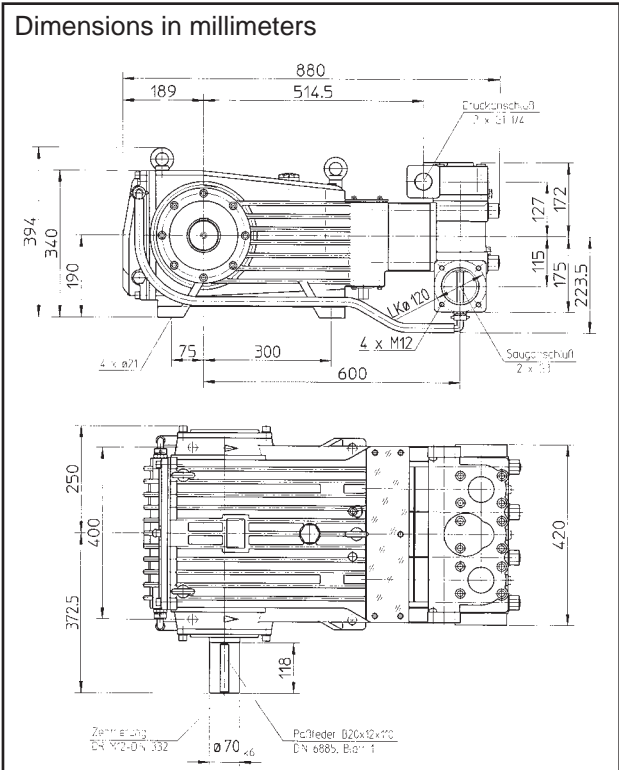
**Integrated water - cooled gear end on all pumps**

### Common Specifications & Materials

	U.S.	(Metric)
Stroke .....	2.83" .....	(72 mm)
Max. Inlet Temperature.....	86 °F.....	(30 °C)
Weight .....	767 lbs.....	(320 kg)
Crankcase Oil Capacity .....	3.3 Gal.....	(12.5 Liters)
Inlet Ports .....	(2) 3" BSP	
Outlet Ports.....	(2) 1-1/4" BSP	

#### Materials Used

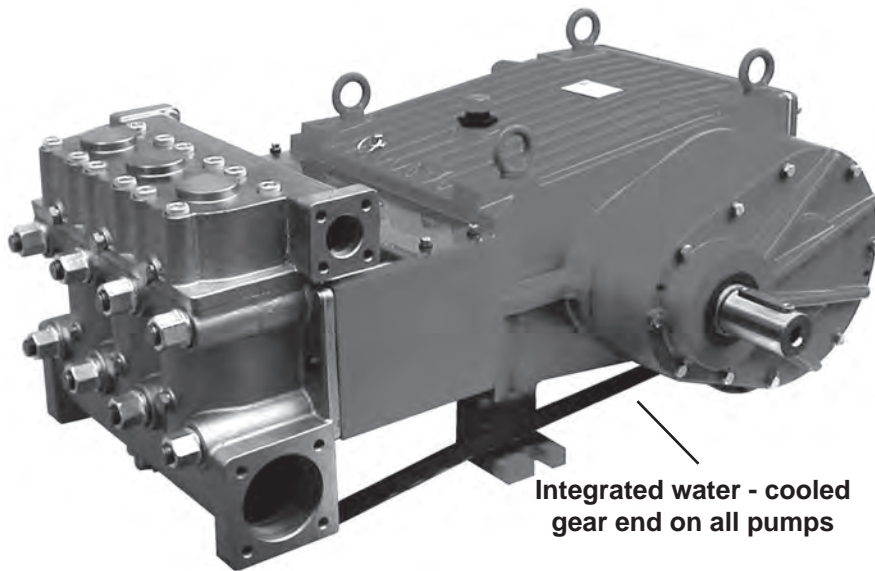
Plunger .....	Solid Ceramic Oxide
Valves .....	Duplex Stainless Steel
Seals .....	Nitrile with Fabric Reinforcing
Crankcase(-1000).....	Bronze
Crankcase(SC).....	Nickel Plated Spheroidal Cast Iron



## GP8145/GP8148/GP8155/GP8160/GP8165/GP8176

### High Flow Pumps

Model	Flow	Pressure	Speed	Power Required	Plunger Diameter	Price
	<b>GPM (LPM)</b>	<b>PSI (Bar)</b>	<b>RPM</b>	<b>HP (kW)</b>	<b>in (mm)</b>	
GP8145*	48.8 (185)	4350 (300)	580	146 (109)	1.77 (45)	\$36,685.00
GP8148*	56.8 (215)	3770 (260)	580	148 (110)	1.89 (48)	\$36,685.00
GP8155*	75.2 (285)	2900 (200)	580	150 (112)	2.17 (55)	\$36,685.00
GP8160*	90.0 (340)	2465 (170)	580	153 (114)	2.36 (60)	\$36,685.00
GP8165*	105.6 (400)	2030 (140)	580	146 (109)	2.55 (65)	\$36,685.00
GP8176*	132 (1500)	1500 (100)	520	137 (102)	2.99 (76)	\$44,880.00



Integrated water - cooled gear end on all pumps

#### Common Specifications & Materials

	U.S.	(Metric)
Stroke .....	2.83"	(72 mm)
Max. Inlet Temperature .....	86 °F	(30 °C)
Weight .....	793 lbs	(360 kg)
Crankcase Oil Capacity .....	3.7 Gal	(14.0 Liters)
Inlet Ports .....	(2) 3" BSP	
Outlet Ports .....	(2) 1-1/4" BSP	

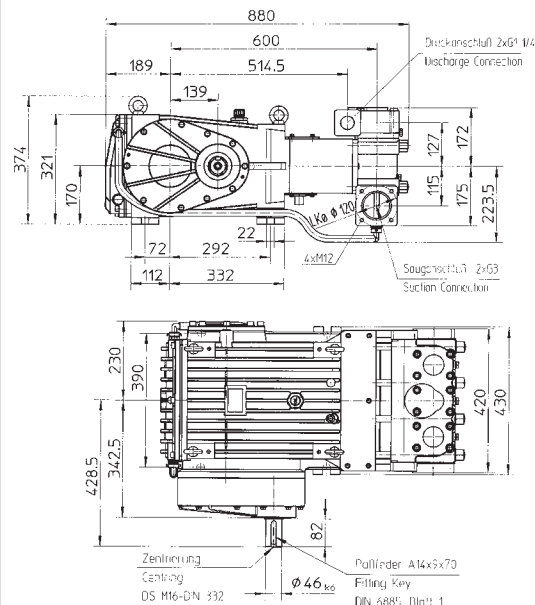
#### Materials Used

Plunger .....	Solid Ceramic Oxide
Valves .....	Duplex Stainless Steel
Seals .....	Nitrile with Fabric Reinforcing
Crankcase .....	Nickel Plated Spheroidal Cast Iron

#### \*Ratios Available:

**Gearbox with Solid Pinion Shaft Versions -**  
**1.28:1, 2.6:1, 3.1:1, 3.8:1 and 4.5:1**

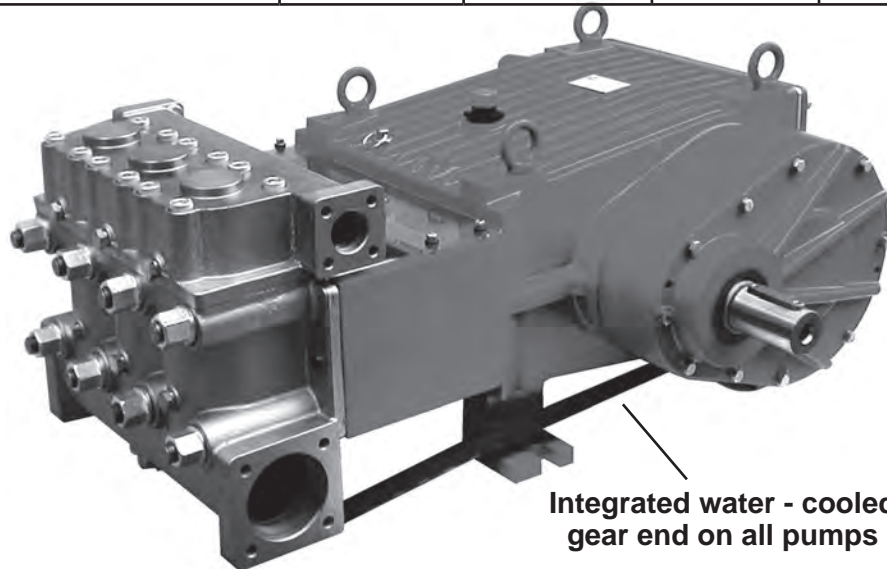
#### Dimensions in millimeters



## GP8155-1000/GP8160-1000/GP8165-1000

## GP8155-Brine/GP8160-Brine/GP8165-Brine

Model	Flow	Pressure	Speed	Power Required	Plunger Diameter	Price
	<b>GPM (LPM)</b>	<b>PSI (Bar)</b>	<b>RPM</b>	<b>HP (kW)</b>	<b>in (mm)</b>	
GP8155-1000*	75.2 (285)	2900 (200)	580	150 (112)	2.17 (55)	\$56,860.00
GP8160-1000*	90.0 (340)	2465 (170)	580	153 (114)	2.36 (60)	\$56,860.00
GP8165-1000*	105.6 (400)	2030 (140)	580	146 (109)	2.55 (65)	\$52,290.00
GP8155-Brine*	74.8 (283)	2900 (200)	580	150 (112)	2.17 (55)	\$57,940.00
GP8060-Brine*	89.8 (340)	2465 (170)	580	153 (114)	2.36 (60)	\$57,940.00
GP8065-Brine*	105.6 (400)	2000 (140)	580	146 (109)	2.55 (65)	\$57,940.00



Integrated water - cooled gear end on all pumps

### Common Specifications & Materials

	U.S.	(Metric)
Stroke .....	2.83"	(72 mm)
Max. Inlet Temperature .....	86 °F	(30 °C)
Weight (w/o gearbox) .....	793 lbs	(360 kg)
Crankcase Oil Capacity .....	3.7 Gal.	(14.0 Liters)
Inlet Ports .....	(2) 3" BSP	
Outlet Ports .....	(2) 1-1/4" BSP	

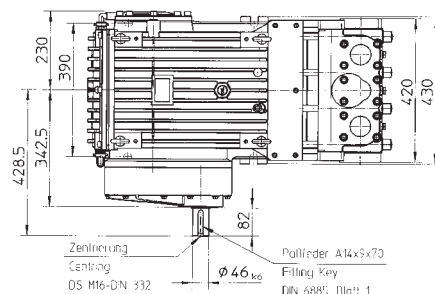
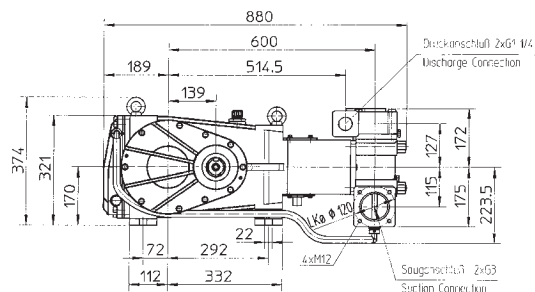
#### Materials Used

Plunger .....	Solid Ceramic Oxide
Valves .....	Duplex Stainless Steel
Seals .....	Nitrile with Fabric Reinforcing
Crankcase(-1000) .....	Bronze
Crankcase(SC) .....	Nickel Plated Spheroidal Cast Iron

#### \*Ratios Available:

**Gearbox with Solid Pinion Shaft Versions -**  
**1.28:1, 2.6:1, 3.1:1, 3.8:1 and 4.5:1**

#### Dimensions in millimeters





## CORROSION RESISTANT PUMPS

### NICKEL- ALUMINUM-BRONZE MANIFOLDS & 316 STAINLESS INTERNAL WET END PARTS

#### P200A-3100 SERIES

Model	Flow	Pressure	RPM	List Price
P230-3100	1.1 GPM (4.2 LPM)	2200 PSI (140 Bar)	1750*	\$1,700.00
P221-3100	2.3 GPM (8.9 LPM)	2200 PSI (140 Bar)	1750	\$1,700.00
P218-3100	3.4 GPM (12.8 LPM)	2200 PSI (140 Bar)	1750	\$1,700.00
P217-3100	3.3 GPM (12.5 LPM)	2200 PSI (140 Bar)	3450*	\$1,700.00
P219-3100	4.2 GPM (15.9 LPM)	2200 PSI (140 Bar)	1750	\$1,700.00
P220-3100	4.7 GPM (17.6 LPM)	2200 PSI (140 Bar)	1750*	\$1,700.00

\*Positive Inlet Pressure Required

#### Common Specifications & Materials

	U.S.	(Metric)
Max Inlet Temp (seawater) .....	86 °F .....	(30 °C)
Max Inlet Temp (other fluids) ...	160 °F .....	(70 °C)
Weight .....	13.2 lbs. ....	(6 kg)
Inlet Port .....	(2) 1/2" BSP	
Discharge Port.....	(2) 3/8" BSP	

#### Materials Used

Manifold.....	Nickel-Aluminium-Bronze
Plunger.....	Solid ceramic oxide
Valves .....	316TI Stainless Steel
Seals.....	Nitrile with fabric reinforcing
Gear Ends .....	Aluminum

#### P200-3100 Series Repair Kits

Kit	Part Number	List Price
Plunger Packing Kit	09602	\$94.19
Valve Kit (Except P230)	09714	\$379.26
Valve Kit (P230 Only)	09139	\$354.57
Oil Seal Kit	09144*	\$7.60

\* Commercial Discount



**P200-3100 Series**

#### P55-3100, P56-3100 PUMP

List Price \$2,600.00



**P56-3100 Pump**

#### P55-3100/P56-3100 Repair Kits

Kit	Part Number	List Price
Plunger Packing Kit (P55-3100)	09572	\$94.65
Plunger Packing Kit (P56-3100)	09573	\$94.65
Valve Kit	09041-0100	\$258.96
Oil Seal Kit	09202*	\$80.69

\* Commercial Discount

#### Specifications

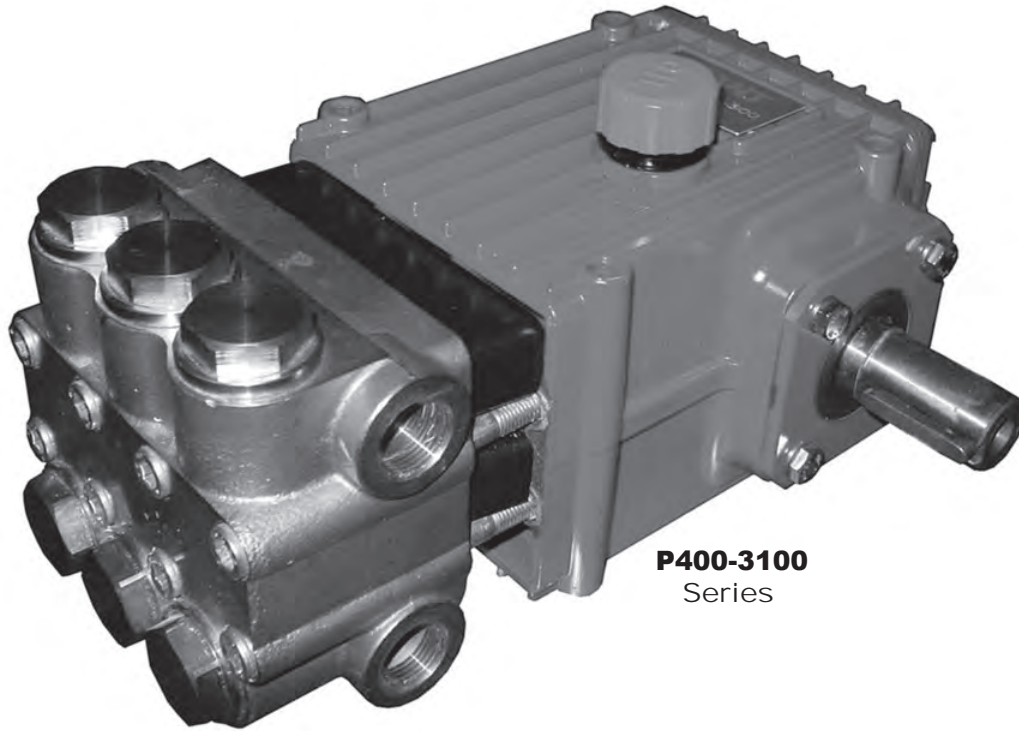
	U.S.	(Metric)
Flow (P55).....	4.8 GPM.....	(18.1 LPM)
Flow (P56).....	6.1 GPM.....	(23.0 LPM)
Pressure.....	1900 PSI.....	(130 bar)
Speed.....	1420 RPM	
Max Inlet Temp.....	86 °F.....	(30 °C)
Weight.....	17.2 lbs.....	(7.8 kg)
Inlet Ports.....	(2) 1/2" BSP	
Discharge Ports.....	(2) 3/8" BSP	

#### Materials Used

Manifold .....	Nickel-Aluminum-Bronze
Plunger .....	Solid ceramic oxide
Valves .....	316 TI Stainless Steel
Seals.....	Nitrile with fabric reinforcing
Gear End .....	Aluminum

## CORROSION RESISTANT PUMPS

### NICKEL- ALUMINUM-BRONZE MANIFOLDS & 316 STAINLESS INTERNAL WET END PARTS



**P400-3100**  
Series

#### P400-3100 SERIES

List Price \$5,355.00

Model	Flow	Pressure	RPM
P450-3100	5.5 GPM (21 LPM)	5075 PSI (350 Bar)	1450
P435-3100	6.6 GPM (25 LPM)	3625 PSI (250 Bar)	1450
P423-3100	8.2 GPM (31.1 LPM)	2900 PSI (200 Bar)	1450
P422-3100	9.9 GPM (37.5 LPM)	2610 PSI (180 Bar)	1450
P425-3100	10.6 GPM (40.4 LPM)	2465 PSI (170 Bar)	1450
P420-3100	12.8 GPM (48.4 LPM)	2175 PSI (150 Bar)	1450

#### Repair Kits

Kit	Part Number	List Price
Plunger Packing Kits: (P420-3100/P425-3100)	09667	\$575.82
(P422-3100/P423-3100)	09668	\$605.87
(P435/P450-3100)	09634	\$442.42
Valve Kits: (P420/P422/P423/P425-3100)	09522	\$708.29
(P435/P450-3100)	09142-0100	\$499.48
Oil Seal Kit	09641	\$22.52

#### Common Specifications & Materials

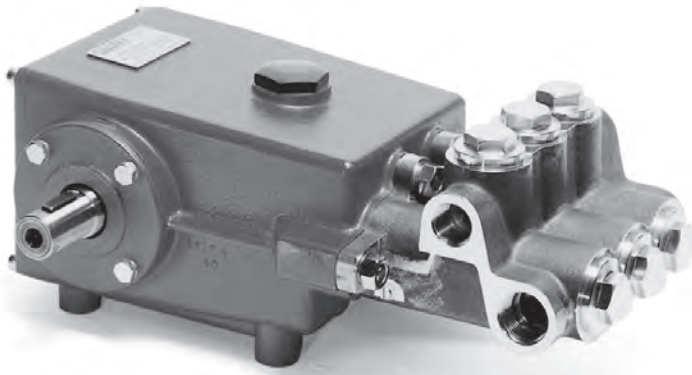
	U.S.	(Metric)
Max Inlet Temp .....	86 °F	(30 °C)
Weight (P420/P423) .....	37.5 lbs.	(17.0 kg)
Weight (P435).....	38.3 lbs.	(17.4 kg)
Weight (P450).....	36.6 lbs.	(16.6 kg)
<b>Materials Used</b>		
Manifold.....	Nickel-Aluminum-Bronze	
Plunger .....	Solid ceramic oxide	
Valves.....	316 Stainless Steel	
Seals.....	Nitrile with fabric reinforcing	
Gear End.....	Aluminum	

## CORROSION RESISTANT PUMPS

### NICKEL- ALUMINUM-BRONZE MANIFOLDS & 316 STAINLESS INTERNAL WET END PARTS

**MP4130-3100, MP4135-3100**

**List Price \$8,620.00**



**MP4130-3100 Pump**

**Materials Used**

Manifold ..... Nickel-Aluminum-Bronze  
 Plunger ..... Solid ceramic oxide  
 Valves ..... 316 TI Stainless Steel  
 Seals ..... Nitrile with fabric reinforcing  
 Gear End ..... Spheroidal Cast Iron

**Specifications**

**MP4130-3100**      **U.S.**      **(Metric)**  
 Flow ..... 15.4 GPM ..... (58.3 LPM)  
 Pressure ..... 1600 PSI ..... (110 bar)  
 Speed ..... 1100 RPM  
 Horsepower ..... 17.0 BHP ..... (12.7 kW)

**MP4135-3100**  
 Flow ..... 18.0 GPM ..... (68.1 LPM)  
 Pressure ..... 1600 PSI ..... (110 bar)  
 Speed ..... 1100 RPM  
 Horsepower ..... 19.9 BHP ..... (14.8 kW)

Max Inlet Temp ..... 158 °F ..... (70 °C)  
 Weight ..... 66 lbs. .... (30 kg)  
 Inlet Ports ..... (2) 1" BSP  
 Discharge Ports ..... (2) 3/4" BSP

**Repair Kits**

Kit	Part Number	List Price
Plunger Packing Kit	09580	\$287.33
Valve Kit	09581	\$1,605.44

**LP122A-3100, LP250-3100**

**List Price \$11,800.00**



**LP122A-3100 Pump**

**Materials Used**

Manifold ..... Nickel-Aluminum-Bronze  
 Plunger ..... Solid ceramic oxide  
 Valves ..... 316 TI Stainless Steel  
 Seals ..... Nitrile with fabric reinforcing  
 Gear End ..... Spheroidal Cast Iron

**Specifications**

**LP250A-3100**      **U.S.**      **(Metric)**  
 Flow ..... 25.7 GPM ..... (97.3 LPM)  
 Pressure ..... 2030 PSI ..... (140 bar)  
 Speed ..... 1000 RPM  
 Horsepower ..... 36.0 BHP ..... (26.9 kW)

**LP122A-3100**      **U.S.**      **(Metric)**  
 Flow ..... 35.4 GPM ..... (134. LPM)  
 Pressure ..... 1300 PSI ..... (90 bar)  
 Speed ..... 800 RPM  
 Horsepower ..... 31.7 BHP ..... (23.6 kW)

Max Inlet Temp ..... 86 °F ..... (30 °C)  
 Weight ..... 126 lbs. .... (57 kg)  
 Inlet Ports ..... (2) 1-1/2" BSP  
 Discharge Ports ..... (2) 1" BSP

**Repair Kits**

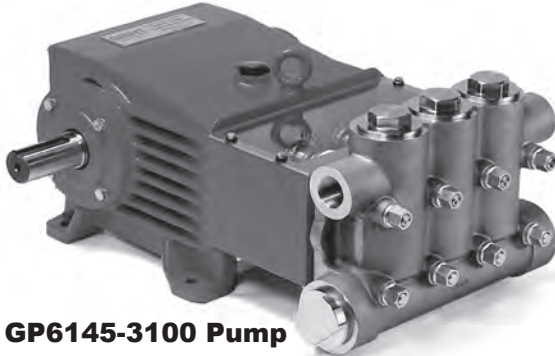
Kit	Part Number	List Price
Plunger Packing Kits:		
(LP122A-3100)	09575	\$523.25
(LP250A-3100)	09739	\$645.77
Valve Kit	09136-0100	\$1,220.26
Oil Seal Kit	09577	\$44.23

## CORROSION RESISTANT PUMPS

### NICKEL- ALUMINUM-BRONZE MANIFOLDS & 316 STAINLESS INTERNAL WET END PARTS

#### GP6145-3100 PUMP

List Price \$24,000.00



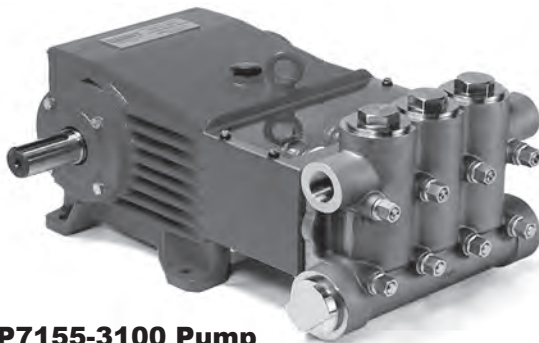
GP6145-3100 Pump

#### Specifications

	U.S.	(Metric)
Flow.....	46.5 GPM	(175.9 LPM)
Pressure.....	1740 PSI	(120 bar)
Speed.....	800 RPM	
Horsepower.....	55.8 BHP	(41.6 kW)
Max Inlet Temp .....	86 °F	(30 °C)
Weight.....	309 lbs.	(140 kg)
Inlet Ports .....	(2) 2-1/2" BSP	
Discharge Ports.....	(2) 1-1/4" BSP	

#### GP7155-3100 PUMP

List Price \$36,545.00



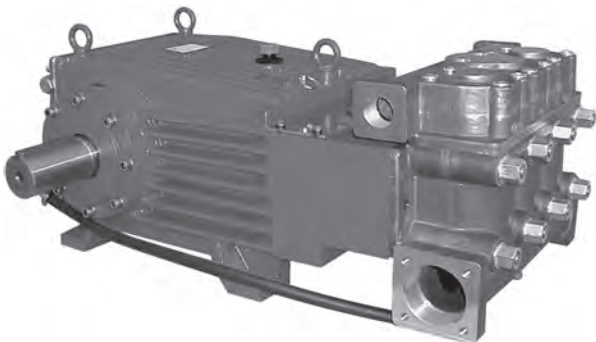
GP7155-3100 Pump

#### Specifications

	U.S.	(Metric)
Flow.....	65.8 GPM	(249.1 LPM)
Pressure .....	1500 PSI	(100 bar)
Speed.....	700 RPM	
Horsepower .....	65.7 BHP	(49.0 kW)
Max Inlet Temp.....	86 °F	(30 °C)
Weight .....	441 lbs.	(200 kg)
Inlet Ports .....	(2) 2-1/2" BSP	
Discharge Ports.....	(2) 1-1/4" BSP	

#### GP8000-3100 PUMP

List Price \$66,295.00



GP8000-3100 Series

#### Specifications

	U.S.	(Metric)
Speed.....	580 RPM	
Horsepower .....	153 BHP.....	(114 kW)
Max Inlet Temp .....	86 °F	(30 °C)
Weight .....	767 lbs.....	(348 kg)
Inlet Ports .....	(2) 3" BSP	
Discharge Ports.....	(2) 1-1/4" BSP	

Models Available	Flow (GPM/LPM)	Pressure (PSI/Bar)
GP8045 .....	48.8(185).....	4350(300)
GP8048 .....	56.8(215).....	3770(260)
GP8055.....	74.8(285).....	2900(200)
GP8060 .....	90.0(340).....	2465(170)
GP8065 .....	105.6(400).....	2030(140)

Also available with integral gearbox.  
See page 62 for gear ratios.

# 316 STAINLESS STEEL SERIES



## CORROSION RESISTANT PUMPS

### 316 STAINLESS STEEL MANIFOLDS & INTERNAL WET END PARTS

#### P200A-5100 SERIES / P200A-5111 SERIES (Viton Elastomers)

Model	Flow	Pressure	RPM	List Price
P205-5100	0.5 GPM (2.0 LPM)	2500 PSI (170 Bar)	1750*	\$2,150.00
P206-5100	0.8 GPM (3.0 LPM)	2200 PSI (140 Bar)	1750	\$2,150.00
P230-5100	1.1 GPM (4.2 LPM)	2200 PSI (140 Bar)	1750*	\$2,150.00
P209-5100	1.5 GPM (5.7 LPM)	2200 PSI (140 Bar)	1750	\$2,150.00
P227-5100	2.1 GPM (8.0 LPM)	2200 PSI (140 Bar)	1750*	\$2,150.00
P221-5100	2.3 GPM (8.9 LPM)	2200 PSI (140 Bar)	1750	\$2,150.00
P217-5100	3.3 GPM (12.5 LPM)	2200 PSI (140 Bar)	3450*	\$2,150.00
P218-5100	3.4 GPM (12.8 LPM)	2200 PSI (140 Bar)	1750	\$2,150.00
P219-5100	4.2 GPM (15.9 LPM)	2200 PSI (140 Bar)	1750	\$2,150.00
P220-5100	4.7 GPM (17.6 LPM)	2200 PSI (140 Bar)	1750*	\$2,150.00

\*Positive Inlet Pressure Required



**P200-5100 Series**

#### Common Specifications & Materials

	U.S.	(Metric)
Max Temp (seawater).....	86 °F	(30 °C)
Max Temp (all other fluids).....	160 °F	(70 °C)
Weight .....	13.2 lbs.	(6.0 kg)
Inlet Port .....	(2) 1/2" BSP	
Discharge Port.....	(2) 3/8" BSP	
<b>Materials Used</b>		
Manifold .....	316 Stainless Steel	
Plunger .....	Solid ceramic oxide	
Valves .....	316TI Stainless Steel	
Seals.....	Nitrile with fabric reinforcing	
Gear End .....	Aluminum	

#### P200-5100 Series Repair Kits

Kit	Part Number	List Price
Plunger Packing Kits: (P205/P206/P209)	09656	\$56.32
(P218/P219/P220)	09602	\$94.19
(P217/P221/P227/P230)	09756	\$56.93
Valve Assembly Kits: (P205/P206/P209)	09775	\$261.59
(all other P200-3100)	09139	\$354.57
Oil Seal Kit	09144*	\$7.60

\* Commercial Discount

#### P55-5100 & P56-5100 PUMPS

List Price \$4,600.00

#### P55-5111 & P56-5111 VITON

List Price \$5,265.00



**P55-5100 / P56-5100**

U.S. (Metric)

**P55-5100**  
Flow ..... 3.9 GPM ..... (14.7 LPM)  
Pressure ..... 2320 PSI ..... (160 bar)

**P56-5100**  
Flow ..... 6.1 GPM ..... (23.0 LPM)  
Pressure ..... 1900 PSI ..... (130 bar)

#### P55-5100/P56-5100 Series Repair Kits

Kit	Part Number	List Price
Plunger Packing Kit (P55-5100)	09572	\$94.65
Plunger Packing Kit (P56-5100)	09573	\$94.65
Valve Kit	09041-0100	\$258.96
Oil Seal Kit	09202*	\$80.69

\* Commercial Discount

#### Common Specifications & Materials

	U.S.	(Metric)
Speed .....	1420 RPM	
Horsepower .....	8.0 BHP	(6.0 kW)
Max Inlet Temp .....	160 °F	(71 °C)
Weight .....	18 lbs.	(8 kg)
Inlet Ports .....	(2) 1/2" BSP	
Outlet Ports.....	(2) 3/8" BSP	

<b>Materials Used</b>		
Manifold .....	316 Stainless Steel	
Plunger .....	Solid ceramic oxide	
Valves .....	316 TI Stainless Steel	
Seals.....	Nitrile with fabric reinforcing	
Gear End .....	Aluminum	

# 316 STAINLESS STEEL SERIES



## CORROSION RESISTANT PUMPS

### 316 STAINLESS STEEL MANIFOLDS & INTERNAL WET END PARTS

#### P400-5100 SERIES

Model	Flow	Pressure	RPM	List Price
P450-5100	5.5 GPM (21.0 LPM)	5075 PSI (350 Bar)	1450	\$8,085.00
P435-5100	6.6 GPM (25.0 LPM)	3625 PSI (250 Bar)	1450	\$8,085.00
P423-5100	8.2 GPM (31.1 LPM)	2900 PSI (200 Bar)	1450	\$8,060.00
P422-5100	9.9 GPM (37.3 LPM)	2610 PSI (180 Bar)	1450	\$8,060.00
P425-5100	10.7 GPM (40.6 LPM)	2465 PSI (170 Bar)	1450	\$7,015.00
P420-5100	12.8 GPM (48.4 LPM)	2175 PSI (150 Bar)	1450	\$7,015.00

#### Repair Kits

Kit	Part Number	List Price
Plunger Packing Kit (P450-5100)	09141*	\$115.83
Plunger Packing Kit (P420 / P425-5100)	09653	\$191.42
Plunger Packing Kit (P422 / P423-5100)	09654	\$275.47
Plunger Packing Kit (P435-5100)	09644*	\$453.05
Valve Kit (Except P450-5100)	09655	\$860.77
Valve Kit (P450-5100 Only)	09646	\$1,594.29
Oil Seal Kit	09641	\$22.52

\* Commercial Discount



**P450-5100**

#### Common Specifications & Materials

	U.S.	(Metric)
Max Inlet Temp .....	160 °F	(70 °C)
Weight .....	36.6 lbs.	(16.6 kg)
Inlet Ports (except P435/P450).....	(2) 1" BSP	
Inlet Ports (P435/P450) .....	(2) 3/4" BSP	
Outlet Ports (except P435/P450).....	(2) 3/4" BSP	
Outlet Ports (P435/P450) .....	(2) 1/2" BSP	
<b>Materials Used</b>		
Manifold .....	316 Stainless Steel or Duplex Steel	
Plunger .....	Solid ceramic oxide	
Valves .....	316 TI Stainless Steel	
Seals.....	Nitrile with fabric reinforcing	
Gear End .....	Aluminum	

### LP301A-5100 & LP600-5100 PUMPS

List Price \$13,530.00



**LP301A-5100/  
LP600-5100**

#### Repair Kits

Kit	Part Number	List Price
Plunger Packing Kit (LP301A-5100)	09459-4000	\$496.71
Plunger Packing Kit (LP600-5100)	09197-4000	\$862.80
Valve Kit (LP301A-5100)	09196-0100	\$1,423.93
Valve Kit (LP600-5100)	09195	\$710.78
Complete Valve Kit (LP600-5100)	09721	\$3,012.75

U.S. (Metric)

#### LP600-5100

Flow ..... 9.8 GPM ..... (37 LPM)  
Pressure ..... 5800 PSI ..... (400 bar)

#### LP301A-5100

Flow ..... 14.2 GPM ..... (53.6 LPM)  
Pressure ..... 3915 PSI ..... (270 bar)

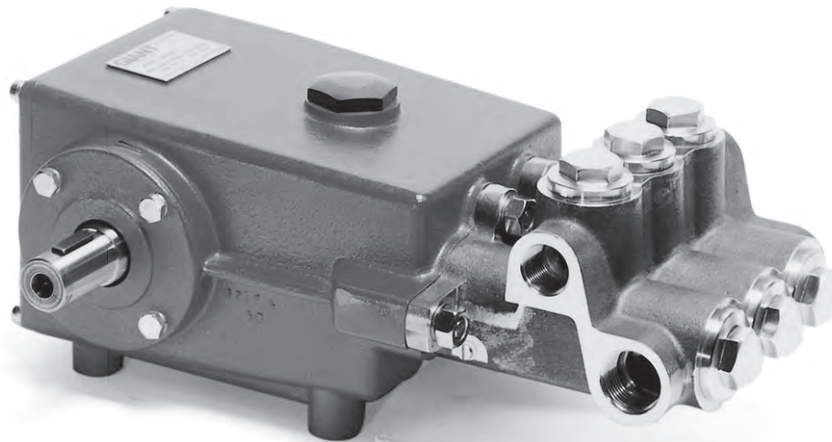
#### Common Specifications & Materials

	U.S.	(Metric)
Speed .....	1000 RPM	
Horsepower .....	40 BHP	(30.0 kW)
Max Inlet Temp .....	140 °F	(60 °C)
Weight .....	132 lbs.	(60 kg)
Inlet Ports .....	(2) 1-1/4" BSP	
Outlet Ports.....	(2) 1" BSP	
<b>Materials Used</b>		
Manifold .....	316 Stainless Steel	
Plunger .....	Solid ceramic oxide	
Valves .....	316 TI Stainless Steel	
Seals.....	Nitrile with fabric reinforcing	
Gear End .....	Spheroidal Cast Iron	

## CORROSION RESISTANT PUMPS

### MP4124-5100 / MP4126-5100

List Price \$13,685.00



#### U.S. (Metric)

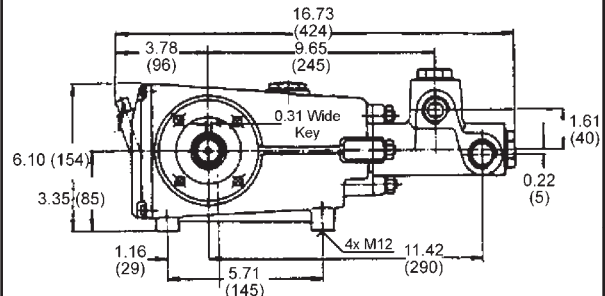
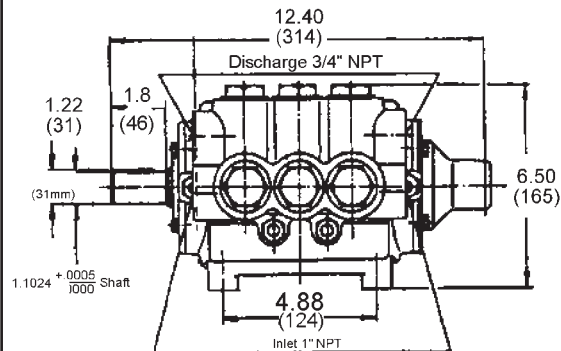
##### MP4124-5100

Flow ..... 12.8 GPM .... (48.6 LPM)  
 Pressure ..... 2610 PSI ..... (180 bar)  
 Speed ..... 1450 RPM  
 Horsepower (continuous) .. 23.0 BHP ..... (17.1 kW)  
 Plunger Diameter ..... 0.94" ..... (24 mm)  
 Stroke ..... 1.02" ..... (26 mm)

##### MP4126-5100

Flow ..... 17.9 GPM ..... (67.7 LPM)  
 Pressure ..... 1600 PSI ..... (110 bar)  
 Speed ..... 1100 RPM  
 Horsepower ..... 20.4 BHP ..... (15.2 kW)  
 Plunger Diameter ..... 1.18" ..... (30 mm)  
 Stroke ..... 1.18" ..... (30 mm)

#### MP SERIES - INCHES (mm)



#### Common Specifications & Materials

	U.S.	(Metric)
Max Inlet Temp .....	160 °F	(71 °C)
Weight .....	66 lbs	(30 kg)
Inlet Ports .....	(2) 1" BSP	
Outlet Ports .....	(2) 3/4" BSP	

##### Materials Used

Manifold ..... 316 Stainless Steel  
 Plunger ..... Solid ceramic oxide  
 Valves ..... High Grade Stainless Steel  
 Seals ..... Nitrile with fabric reinforcing  
 Gear End ..... Spheroidal Cast Iron

# 316 STAINLESS STEEL SERIES



## CORROSION RESISTANT PUMPS

### LP250A-5100

List Price \$15,815.00

	U.S.	(Metric)
Flow .....	26 GPM	(98.3 LPM)
Pressure .....	2200 PSI	(150 bar)
Speed .....	1000 RPM	
Horsepower .....	39.4 BHP	(29.4 kW)
Max Inlet Temp .....	140 °F	(60 °C)
Weight .....	119 lbs.	(54 kg)
Inlet Ports .....	(3) 1-1/2" BSP	
Discharge Ports .....	(3) 1" BSP	

### LP121A-5100

List Price \$15,815.00

### LP121A-5100-NPT

List Price \$15,815.00

	U.S.	(Metric)
Flow .....	32.5 GPM	(123.1 LPM)
Pressure .....	1740 PSI	(120 bar)
Speed .....	1000 RPM	
Horsepower .....	39 BHP	(29.1 kW)
Max Inlet Temp .....	140 °F	(60 °C)
Weight .....	119 lbs.	(53 kg)
Inlet Ports .....	(3) 1-1/2" BSP	
Discharge Ports .....	(3) 1" BSP	
Inlet Ports (-NPT) .....	(3) 1-1/2" NPT	
Discharge Ports (-NPT) .....	(3) 1" NPT	

### LP122A-5100

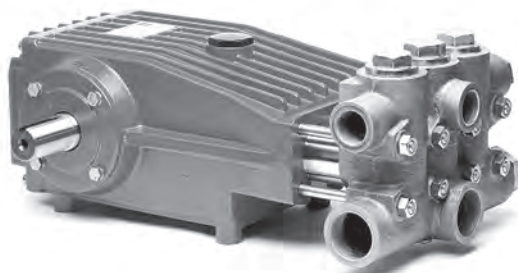
List Price \$16,120.00

	U.S.	(Metric)
Flow .....	35.4 GPM	(134.0 LPM)
Pressure .....	1300 PSI	(90 bar)
Speed .....	800 RPM	
Horsepower .....	33.1 BHP	(24.7 kW)
Max Inlet Temp .....	140 °F	(60 °C)
Weight .....	126 lbs.	(57 kg)
Inlet Ports .....	(3) 1-1/2" NPT	
Discharge Ports .....	(3) 1" NPT	

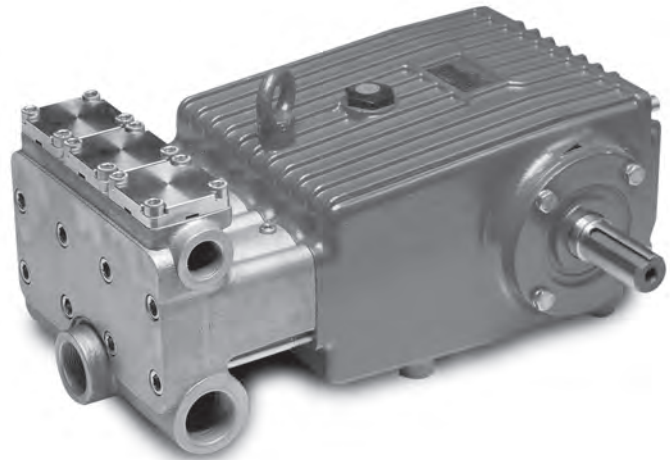
### LP301A-5100

List Price \$13,530.00

	U.S.	(Metric)
Flow .....	14.2 GPM	(53.6 LPM)
Pressure .....	3900 PSI	(270 bar)
Speed .....	1000 RPM	
Horsepower .....	39.2 BHP	(29.2 kW)
Max Inlet Temp .....	140 °F	(60 °C)
Weight .....	132 lbs.	(60 kg)
Inlet Ports .....	(3) 1-1/4" NPT	
Discharge Ports .....	(3) 1" NPT	



LP250A-5100/LP121A-5100/LP122A-5100



GP5132-5100/GP5136-5100/GP5145-5100

### GP5132-5100

List Price \$20,085.00

	U.S.	(Metric)
Flow .....	27.7 GPM	(104.9 LPM)
Pressure .....	2900 PSI	(200 bar)
Speed .....	1000 RPM	
Horsepower .....	57.4 BHP	(42.8 kW)
Max Inlet Temp .....	140 °F	(60 °C)
Weight .....	179 lbs.	(81 kg)
Inlet Ports .....	(2) 1-1/2" BSP	
Discharge Ports .....	(2) 1" BSP	

### GP5136-5100

List Price \$20,085.00

	U.S.	(Metric)
Flow .....	33.8 GPM	(127.8 LPM)
Pressure .....	2320 PSI	(160 bar)
Speed .....	910 RPM	
Horsepower .....	54.0 BHP	(40.3 kW)
Max Inlet Temp .....	140 °F	(60 °C)
Weight .....	179 lbs.	(81 kg)
Inlet Ports .....	(3) 1-1/2" BSP	
Discharge Ports .....	(3) 1" BSP	

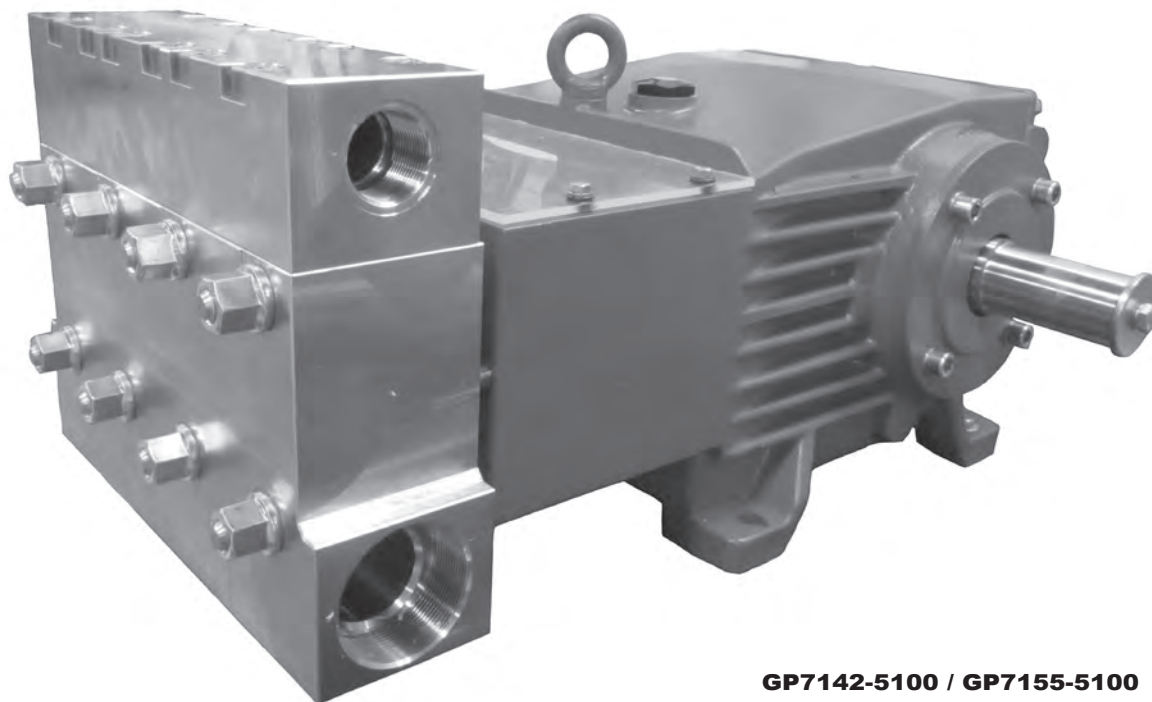
### GP5145-5100

List Price \$20,085.00

	U.S.	(Metric)
Flow .....	43.5 GPM	(164.6 LPM)
Pressure .....	1450 PSI	(100 bar)
Speed .....	750 RPM	
Horsepower .....	43.5 BHP	(32.5 kW)
Max Inlet Temp .....	140 °F	(60 °C)
Weight .....	179 lbs.	(81 kg)
Inlet Ports .....	(3) 1-1/2" BSP	
Discharge Ports .....	(3) 1" BSP	



## 316 STAINLESS STEEL SERIES CORROSION RESISTANT PUMPS



**GP7142-5100 / GP7155-5100**

### GP7142-5100

List Price \$44,100.00

	U.S.	(Metric)
Flow .....	38.4 GPM	...(145.2 LPM)
Pressure .....	2610 PSI	..... (180 bar)
Speed .....	700 RPM	
Horsepower .....	69.1 BHP	..... (51.5 kW)
Max Inlet Temp .....	140 °F	..... (60 °C)
Weight: .....	473 lbs.	..... (215 kg)
Inlet Ports .....	(2) 2-1/2" BSP	
Discharge Ports .....	(2) 1-1/4" BSP	

### GP7155-5100

List Price \$44,100.00

	U.S.	(Metric)
Flow .....	65.8 GPM	....(249.1 LPM)
Pressure .....	1500 PSI	..... (100 bar)
Speed .....	700 RPM	
Horsepower .....	65.8 BHP	..... (49.1 KW)
Max Inlet Temp .....	140 °F	..... (60 °C)
Weight .....	374 lbs.	..... (170 kg)
Inlet Ports .....	(2) 2-1/2" BSP	
Discharge Ports .....	(2) 1-1/4" BSP	

### GP8000-5100 Series

Model	Flow		Pressure		RPM	List Price
	GPM	L/min	PSI	Bar		
GP8035-5100	29	110	7250	500	580	\$74,720.00
GP8040-5100	38	144	5510	380	580	\$74,720.00
GP8045-5100	48.8	185	4350	300	580	\$70,400.00
GP8048-5100	56.8	215	3770	260	580	\$70,400.00
GP8055-5100	74.8	283	3000	200	580	\$70,400.00
GP8060-5100	90	340	2465	170	580	\$70,400.00
GP8065-5100	105.6	400	2030	140	580	\$70,400.00

# **SPECIALTY PUMPS**

**(pages 74 - 84)**

**- HIGH TEMPERATURE**

**-CO<sub>2</sub>**

**-MACHINE TOOL**

**-BENTONITE**

**-DEIONIZED WATER**

**-PENTANE**

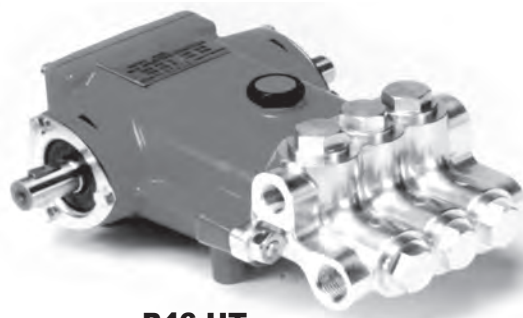
**The following pumps and kits have industrial discounts unless otherwise noted**

## High Temperature Pumps

### 220 Degree Pumps

#### **P46HT\*** List Price \$1,525.00

	<b>U.S.</b>	<b>(Metric)</b>
Flow .....	147.3 GPH	(557.5 LPH)
Flow .....	2.5 GPM	(9.3 LPM)
Pressure .....	870 PSI	(60 bar)
Speed .....	750 RPM	
Horsepower .....	1.3 BHP	(0.97 kW)
Max Inlet Temp .....	220 °F	(105 °C)
Weight .....	14 lbs.	(6.3 kg)
Inlet Ports .....	(2) 1/2" BSP	
Discharge Ports .....	(2) 3/8" BSP	



**P46-HT**



**P56HT**

#### **P56HT\*** List Price \$2,100.00

	<b>U.S.</b>	<b>(Metric)</b>
Flow .....	194 GPH	(733 LPH)
Flow .....	3.2 GPM	(12.2 LPM)
Pressure .....	870 PSI	(60 bar)
Speed .....	750 RPM	
Horsepower .....	1.9 BHP	(1.4 kW)
Max Inlet Temp .....	220 °F	(105 °C)
Weight .....	17.2 lbs.	(7.8 kg)
Inlet Ports .....	(2) 1/2" NPT	
Discharge Ports .....	(2) 3/8" NPT	

#### **SP100HT\*** List Price \$3,900.00

	<b>U.S.</b>	<b>(Metric)</b>
Flow .....	356 GPH	(1347 LPH)
Flow .....	5.9 GPM	(22.5 LPM)
Pressure .....	870 PSI	(60 bar)
Speed .....	750 RPM	
Horsepower .....	3.5 BHP	(2.6 kW)
Max Inlet Temp .....	220 °F	(105 °C)
Weight .....	41.9 lbs.	(19 kg)
Inlet Ports .....	(2) 3/4" NPT	
Discharge Ports .....	(2) 1/2" NPT	



**SP100HT**

\*Commercial Discounted pumps

## High Temperature Pumps



**MP4130HTC**

**MP4126HTC** List Price \$9,300.00  
**MP4130HTC\*** List Price \$7,500.00  
**MP4135HTC\*** List Price \$9,300.00

	U.S.	(Metric)
Flow (MP4126)	732 GPH	(2,772 LPH)
Flow (MP4126)	12.2 GPM	(46.2 LPM)
Flow (MP4130)	629 GPH	(2,382 LPH)
Flow (MP4130)	10.5 GPM	(39.7 LPM)
Flow (MP4135)	732 GPH	(2,772 LPH)
Flow (MP4135)	12.2 GPM	(46.2 LPM)
Pressure	1160 PSI	(80 bar)
Speed	750 RPM	
Horsepower		
(MP4126)	9.8 BHP	(7.3 kW)
(MP4130)	8.4 BHP	(6.2 kW)
(MP4135)	9.8 BHP	(7.3 kW)
Max Inlet Temp	220 °F	(105 °C)
Weight	66 lbs	(30 kg)
Inlet Ports	(2) 1" BSP	
Discharge Ports	(2) 3/4" BSP	

**LP121HT** List Price \$10,000.00  
**LP121HTC\*** List Price \$10,000.00  
**LP121A-4000HT** List Price \$15,950.00

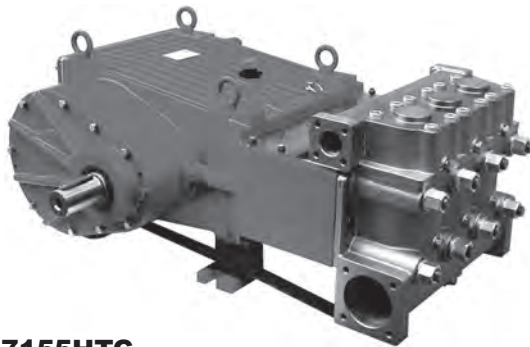
	U.S.	(Metric)
Flow	1,059 GPH	(4,010 LPH)
Flow	17.6 GPM	(66.8 LPM)
Pressure	1160 PSI	(80 bar)
Horsepower	14.6 BHP	(10.9 kW)
Weight	110 lbs	(50 kg)
Max Inlet Temp	220 °F	(105 °C)
Speed	570 RPM	
Inlet Ports	(1) 1-1/4" BSP	
Discharge Ports	(1) 1" BSP	



**LP121HT/LP121HTC**

**GP7142HTC\*** List Price \$43,770.00  
**GP7142-4000HTC\*** List Price \$43,770.00  
**GP7255HTC\*** List Price \$31,025.00

	U.S.	(Metric)
Flow(GP7142)	1,506 GPH	(5,700 LPH)
Flow(GP7142)	25.1 GPM	(95.0 LPM)
Flow(GP7155)	2,541 GPH	(9,618 LPH)
Flow(GP7155)	42.4 GPM	(160.3 LPM)
Pressure	1160 PSI	(80 Bar)
Speed	460 RPM	
Horsepower		
(GP7142)	20.1 BHP	(15.0 kW)
(GP7155)	33.9 BHP	(25.3 kW)
Weight:	375 lbs	(170 kg)
Inlet Ports	(2) 2-1/2" BSP	
Discharge Ports	(2) 1-1/4" BSP	



**GP7155HTC**

\* Pumps w/high pressure coolant connections

**GP8065HT-1000** List Price \$58,130.00

	U.S.	(Metric)
Flow	75.3 GPM	(285 LPM)
Pressure	1450 PSI	(80 bar)
Horsepower	75.3 BHP	(56.1 kW)
Weight	767 lbs	(348 kg)
Max Inlet Temp	105 °F	(40 °C)
Speed	420 RPM	
Inlet Ports	(2) 3" BSP	
Discharge Ports	(2) 1-1/4" BSP	



**GP8065HT-1000**

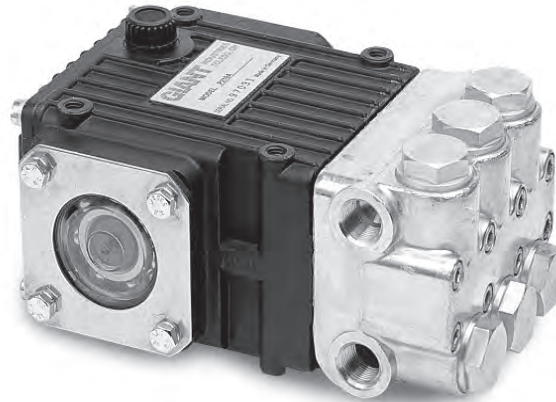
## High Temperature Pumps

### 195 Degree Pumps

#### P200-0030 SERIES

List Price \$1,215.00

Model	Flow
P230-0030	1.1 GPM (4.2 LPM)
P217-0030	1.8 GPM (6.8 LPM)
P221-0030	2.3 GPM (8.9 LPM)
P218-0030	3.4 GPM (12.9 LPM)
P219-0030	4.2 GPM (15.9 LPM)
P220-0030	4.7 GPM (17.8 LPM)



**P200-0030 Series**

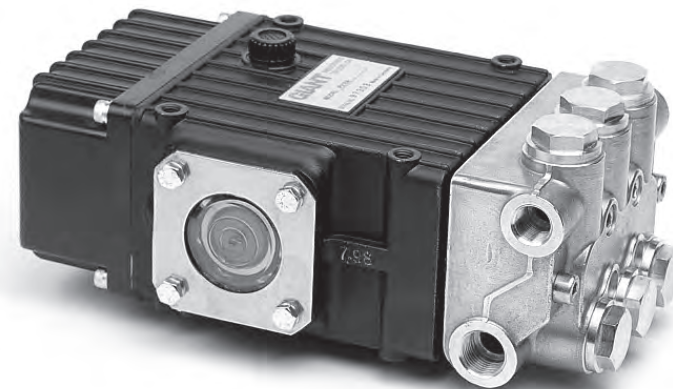
#### Common Specifications & Materials

	U.S.	(Metric)
Max Inlet Temp .....	195 °F	(90 °C)
Max Pressure .....	2000 PSI	(140 Bar)
Max Speed .....	1750 RPM	
Weight .....	11 lbs. 11 oz.	(5.3 kg)
Inlet Port .....	(2) 1/2" BSP	
Discharge Port.....	(2) 3/8" BSP	
<b>Materials Used</b>		
Manifold .....	Brass	
Plunger .....	Solid ceramic oxide	
Valves .....	Stainless Steel	
Seals.....	Nitrile with fabric reinforcing	
Gear End .....	Aluminum	

#### P300-0030 SERIES

List Price \$1,255.00

Model	Flow	Pressure	Speed
P317-0030	3.5 GPM (13.2 LPM)	2500 PSI (175 BAR)	1750 RPM
P316-0030	5.0 GPM (18.9 LPM)	2500 PSI (175 BAR)	1750 RPM
P319-0030	5.2 GPM (19.7 LPM)	2500 PSI (175 BAR)	3450 RPM



**P300-0030 Series**

#### Common Specifications & Materials

	U.S.	(Metric)
Max Inlet Temp .....	195 °F	(90 °C)
Weight .....	16 lbs.	(7.3 kg)
Inlet Port .....	(2) 1/2" BSP	
Discharge Port.....	(2) 3/8" BSP	
<b>Materials Used</b>		
Manifold .....	Brass	
Plunger .....	Solid ceramic oxide	
Valves .....	Stainless Steel	
Seals.....	Nitrile with fabric reinforcing	
Gear End .....	Aluminum	

#### P455B-0030 PUMP

List Price \$2,865.00

Model	Flow	Pressure	Speed
P455B-0030	5.5 GPM (21.0 LPM)	4350 PSI (300 BAR)	1450 RPM

## High Temperature Pumps

### 195 Degree Pumps

#### P46W-HK\*

List Price \$1,415.00

	U.S.	(Metric)
Flow .....	3.9 GPM...	(14.8 LPM)
Pressure .....	2175 PSI .....	(150 bar)
Speed .....	1420 RPM	
Horsepower .....	5.9 BHP.....	(4.4 kW)
Max Inlet Temp .....	195 °F .....	(90 °C)
Weight .....	14 lbs.....	(6.3 kg)
Inlet Ports .....	(2) 1/2" BSP	
Discharge Ports .....	(2) 3/8" BSP	



**P46W-HK**



**P56HK**

#### P56W-HK\*

List Price \$1,890.00

	U.S.	(Metric)
Flow .....	6.1 GPM...	(23.1 LPM)
Pressure .....	1900 PSI .....	(130 bar)
Speed .....	1420 RPM	
Horsepower .....	8.0 BHP.....	(6.0 kW)
Max Inlet Temp .....	195 °F .....	(90 °C)
Weight .....	17.2 lbs.....	(7.8 kg)
Inlet Ports .....	(2) 1/2" NPT	
Discharge Ports .....	(2) 3/8" NPT	

#### SP100HK\*

List Price \$3,900.00

	U.S.	(Metric)
Flow .....	11.2 GPM .....	(42 LPM)
Pressure .....	2000 PSI .....	(140 bar)
Speed .....	1420 RPM	
Horsepower .....	15.4 BHP.....	(11.5 kW)
Max Inlet Temp .....	195 °F .....	(90 °C)
Weight .....	41.9 lbs.....	(19 kg)
Inlet Ports .....	(2) 3/4" NPT	
Discharge Ports .....	(2) 3/8" NPT	



**SP100HK**



**MP4130HK**

#### MP4130HK

List Price \$5,710.00

	U.S.	(Metric)
Flow .....	15.4 GPM ..	(58.2 LPM)
Pressure .....	1600 PSI .....	(110 bar)
Speed .....	1100 RPM	
Horsepower .....	17.6 BHP.....	(13.1 kW)
Max Inlet Temp .....	195 °F .....	(90 °C)
Weight .....	66 lbs.....	(30 kg)
Inlet Ports .....	(2) 1" NPT	
Discharge Ports .....	(2) 3/4" NPT	

\*Commercial Discounted pumps

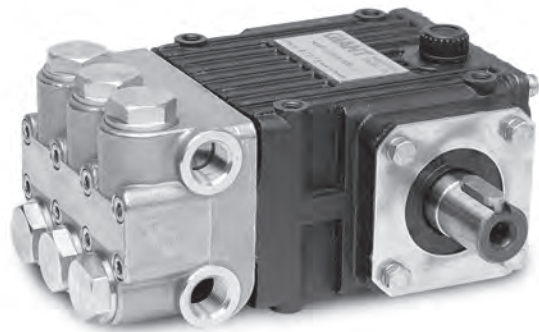
## CO<sub>2</sub> Pumps

### CP230 List Price \$1,335.00

	U.S.	(Metric)
Flow .....	0.5 GPM	(1.8 LPM)
Pressure .....	2000 PSI	(140 bar)
Speed .....	750 RPM	
Temp. of pumped fluids .....	-40 to 32 °F	(-40 to 0 °C)
Weight .....	13.2 lbs.	(6.0 kg)
Inlet Ports .....	(2) 3/8" BSP	
Discharge Ports .....	(2) 3/8" BSP	

### CP218 List Price \$1,335.00

	U.S.	(Metric)
Flow .....	Up to 1.4 GPM	(5.3 LPM)
Pressure .....	2000 PSI	(140 bar)
Speed .....	750 RPM	
Temp. of pumped fluids .....	-40 to 32 °F	(-40 to 0 °C)
Weight .....	13.2 lbs.	(6.0 kg)
Inlet Ports .....	(2) 3/8" BSP	
Discharge Ports .....	(2) 3/8" BSP	



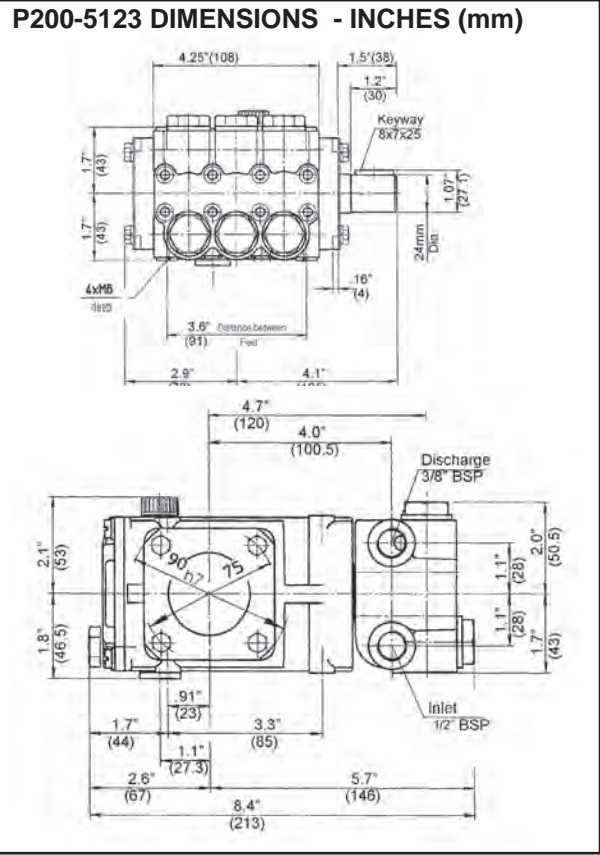
CP200 Series

### CP220 List Price \$1,335.00

	U.S.	(Metric)
Flow .....	Up to 1.9 GPM	(7.3 LPM)
Pressure .....	2000 PSI	(140 bar)
Speed .....	750 RPM	
Temp. of pumped fluids .....	-40 to 32 °F	(-40 to 0 °C)
Weight .....	13.2 lbs.	(6.0 kg)
Inlet Ports .....	(2) 3/8" BSP	
Discharge Ports .....	(2) 3/8" BSP	

### CP230-5123 List Price \$3,240.00

	U.S.	(Metric)
Flow .....	0.45 GPM	(1.7 LPM)
Pressure .....	2000 PSI	(140 bar)
Speed .....	750 RPM	
Temp. of pumped fluids .....	-40 to 32 °F	(-40 to 0 °C)
Weight .....	13.2 lbs.	(6.0 kg)
Inlet Ports .....	(2) 1/2" BSP	
Discharge Ports .....	(2) 3/8" BSP	



### CP217-5123 List Price \$3,240.00

	U.S.	(Metric)
Flow .....	0.73 GPM	(2.7 LPM)
Pressure .....	2000 PSI	(140 bar)
Speed .....	750 RPM	
Temp. of pumped fluids .....	-40 to 32 °F	(-40 to 0 °C)
Weight .....	13.2 lbs.	(6.0 kg)
Inlet Ports .....	(2) 1/2" BSP	
Discharge Ports .....	(2) 3/8" BSP	

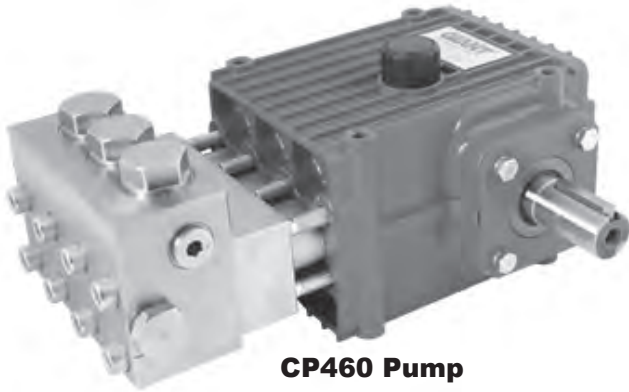
### CP218-5123 List Price \$3,240.00

	U.S.	(Metric)
Flow .....	1.4 GPM	(5.3 LPM)
Pressure .....	2000 PSI	(140 bar)
Speed .....	750 RPM	
Temp. of pumped fluids .....	-40 to 32 °F	(-40 to 0 °C)
Weight .....	13.2 lbs.	(6.0 kg)
Inlet Ports .....	(2) 1/2" BSP	
Discharge Ports .....	(2) 3/8" BSP	

### CP220-5123 List Price \$3,240.00

	U.S.	(Metric)
Flow .....	1.9 GPM	(7.3 LPM)
Pressure .....	2000 PSI	(140 bar)
Speed .....	750 RPM	
Temp. of pumped fluids .....	-40 to 32 °F	(-40 to 0 °C)
Weight .....	13.2 lbs.	(6.0 kg)
Inlet Ports .....	(2) 1/2" BSP	
Discharge Ports .....	(2) 3/8" BSP	

## CO<sub>2</sub> Pumps



**CP460 Pump**

**CP460-4053** List Price \$7,210.00

	U.S.	(Metric)
Flow .....	Up to 2.0 GPM	(7.5 LPM)
Pressure .....	6000 PSI	(580 bar)
Speed .....	150 to 750 RPM	
Temp. of pumped fluids .....	-40 to 32 °F	(-40 to 0 °C)
Weight .....	42 lbs.	(19 kg)
Inlet Ports .....	(2) 1/2" BSP	
Discharge Ports .....	(2) 3/8" BSP	

**CP425** List Price \$4,740.00

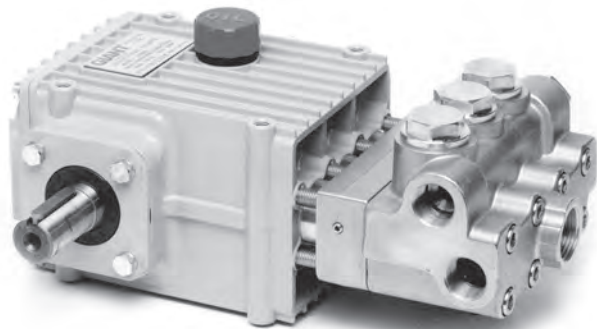
	U.S.	(Metric)
Flow .....	Up to 5.5 GPM	(21 LPM)
Pressure .....	2000 PSI	(140 bar)
Speed .....	750 RPM	
Temp. of pumped fluids .....	-40 to 32 °F	(-40 to 0 °C)
Weight .....	38.3 lbs.	(17.4 kg)
Inlet Ports .....	(2) 1" BSP	
Discharge Ports .....	(2) 3/4" BSP	



**CP420/CP425**

**CP420** List Price \$4,740.00

	U.S.	(Metric)
Flow .....	Up to 6.4 GPM	(24.3 LPM)
Pressure .....	1740 PSI	(120 bar)
Speed .....	750 RPM	
Temp. of pumped fluids .....	-40 to 32 °F	(-40 to 0 °C)
Weight .....	38.3 lbs.	(17.4 kg)
Inlet Ports .....	(2) 1" BSP	
Discharge Ports .....	(2) 3/4" BSP	



**CP470 Pump**

**CP470** List Price \$5,340.00

	U.S.	(Metric)
Flow .....	9.2 GPM	(35.0 LPM)
Pressure .....	1740 PSI	(120 bar)
Speed .....	750 RPM	
Temp. of pumped fluids .....	-40 to 32 °F	(-40 to 0 °C)
Weight .....	39.7 lbs.	(18 kg)
Inlet Ports .....	(2) 3/4" BSP and (1) 1" BSP	
Discharge Ports .....	(2) 3/4" BSP	



## CO<sub>2</sub> Pumps

### **CLP121A** List Price \$16,450.00

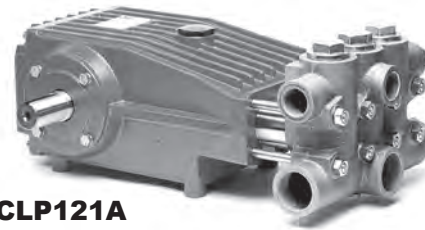
	<b>U.S.</b>	<b>(Metric)</b>
Flow .....	Up to 15.9 GPM	(60.0 LPM)
Pressure .....	1740 PSI	(120 bar)
Speed .....	500 RPM	
Weight .....	116 lbs.	(52.6 kg)
Inlet Ports .....	(3) 1-1/2" BSP	
Discharge Ports .....	(3) 1" BSP	

### **CLP121A-4000** List Price \$20,645.00

	<b>U.S.</b>	<b>(Metric)</b>
Flow .....	Up to 15.9 GPM	(60.0 LPM)
Pressure .....	1740 PSI	(120 bar)
Speed .....	500 RPM	
Weight .....	116 lbs.	(52.6 kg)
Inlet Ports .....	(3) 1-1/2" BSP	
Discharge Ports .....	(3) 1" BSP	

### **CGP7255A** List Price \$31,775.00

	<b>U.S.</b>	<b>(Metric)</b>
Flow .....	Up to 51.5 GPM	(195 LPM)
Pressure .....	1500 PSI	(100 bar)
Speed .....	Up to 550 RPM	
Weight .....	375 lbs.	(170 kg)
Inlet Ports .....	(2) 2-1/2" BSP	
Discharge Ports .....	(2) 1-1/4" BSP	



**CLP121A**

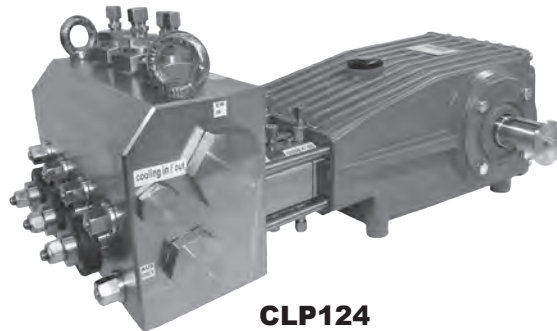


**CGP7255**

## CO<sub>2</sub> Circulation Pumps

### **CLP124** List Price \$77,700.00

	<b>U.S.</b>	<b>(Metric)</b>
Flow .....	13.5 GPM	(51 LPM)
Pressure .....	4350 PSI	(300 bar)
Speed .....	1000 RPM	
Weight .....	183 lbs.	(83 kg)
Inlet Ports .....	(2) 1-1/2" BSP	
Discharge Ports .....	(2) 1" BSP	

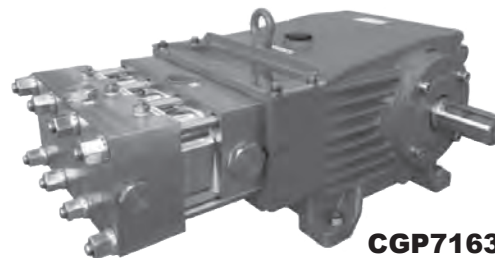


**CLP124**

## CO<sub>2</sub> Pump Compressor

### **CGP7163** List Price \$42,435.00

	<b>U.S.</b>	<b>(Metric)</b>
Flow .....	59.3 GPM	(224.4 LPM)
Pressure .....	1160 PSI	(80 bar)
Speed .....	480 RPM	
Inlet Ports .....	1-1/2" BSP	
Discharge Ports .....	1" BSP	



**CGP7163**

## Machine Tool Pumps

### P217MT-0020

List Price \$1,415.00

	U.S.	(Metric)
Flow .....	3.4 GPM	(12.5 LPM)
Pressure .....	2000 PSI	(140 bar)
Speed .....	3450 RPM	
Horsepower .....	4.7 BHP	(3.5 kW)
Plunger Diameter.....	0.71"	(18 mm)
Stroke .....	0.22"	(5.5 mm)
Max Inlet Temp .....	160 °F	(71 °C)
Weight .....	11 lbs. 11 oz.	(5 kg)
Inlet Port .....	(2) 1/2" BSP	
Discharge Port.....	(2) 3/8" BSP	

### P219MT-0020

List Price \$1,415.00

	U.S.	(Metric)
Flow .....	4.2 GPM	(15.9 LPM)
Pressure .....	2000 PSI	(140 bar)
Speed .....	1750 RPM	
Horsepower .....	5.8 BHP	(4.3 kW)
Plunger Diameter.....	0.71"	(18 mm)
Stroke .....	0.49"	(12.4 mm)
Max Inlet Temp .....	160 °F	(71 °C)
Weight .....	11 lbs. 11 oz.	(5 kg)
Inlet Port .....	(2) 1/2" BSP	
Discharge Port.....	(2) 3/8" BSP	

### P59MT-0020

List Price \$1,905.00

	U.S.	(Metric)
Flow .....	7.5 GPM	(28 LPM)
Pressure .....	1900 PSI	(130 bar)
Speed .....	1450 RPM	
Horsepower .....	10 BHP	(7.5 kW)
Plunger Diameter.....	0.87"	(22 mm)
Stroke .....	0.71"	(18.0 mm)
Max Inlet Temp .....	160 °F	(71 °C)
Weight .....	19.4 lbs	(8.8 kg)
Inlet Port.....	(2) 3/8" & (1) 1/2" BSP	
Discharge Port.....	(2) 3/8" BSP	

### P420CR-0020

List Price \$2,815.00

	U.S.	(Metric)
Flow .....	12.8 GPM	(48.4 LPM)
Pressure .....	2175 PSI	(150 bar)
Speed .....	1450 RPM	
Horsepower .....	19.2 BHP	(14.3 kW)
Plunger Diameter.....	0.98"	(25 mm)
Stroke .....	0.94"	(24 mm)
Max Inlet Temp .....	160 °F	(71 °C)
Weight .....	37 lbs.	(16.6 kg)
Inlet Port .....	(2) 1" BSP	
Discharge Port.....	(2) 3/4" BSP	

### P423CR-0020

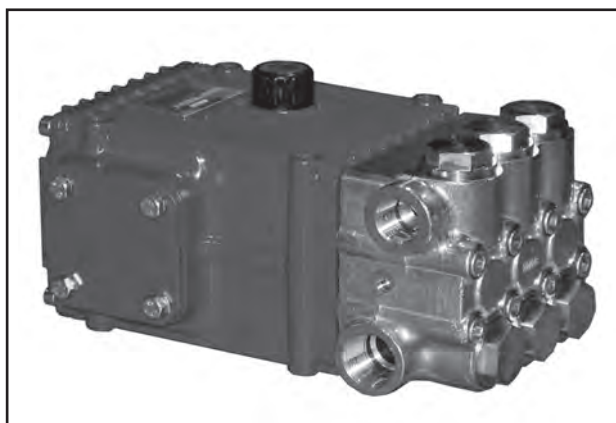
List Price \$2,815.00

	U.S.	(Metric)
Flow .....	8.2 GPM	(31.1 LPM)
Pressure .....	2900 PSI	(200 bar)
Speed .....	1450 RPM	
Horsepower .....	16.4 BHP	(12.2 kW)
Plunger Diameter.....	0.87"	(22 mm)
Stroke .....	0.79"	(20 mm)
Max Inlet Temp .....	160 °F	(71 °C)
Weight .....	37.5 lbs.	(17 kg)
Inlet Port .....	(2) 1" BSP	
Discharge Port.....	(2) 3/4" BSP	

### LP250MT-0020

List Price \$10,275.00

	U.S.	(Metric)
Flow .....	26 GPM	(98.3 LPM)
Pressure .....	2200 PSI	(150 bar)
Speed .....	1000 RPM	
Horsepower .....	39.4 BHP	(29.4 kW)
Plunger Diameter.....	1.26"	(32 mm)
Stroke .....	1.65"	(42 mm)
Max Inlet Temp .....	140 °F	(60 °C)
Weight .....	119 lbs	(54 kg)
Inlet Port .....	(3) 1-1/2" BSP	
Discharge Port.....	(3) 1" BSP	



## Bentonite Pumps

### BP100 List Price \$3,345.00

	U.S.	(Metric)
Flow .....	5.9 GPM	(22.5 LPM)
Pressure .....	1885 PSI	(130 bar)
Speed .....	750 RPM	
Horsepower .....	8.0 BHP	(6.0 kW)
Plunger Diameter.....	1.02"	(26 mm)
Plunger Stroke.....	0.79"	(20 mm)
Max Inlet Temp .....	194 °F	(90 °C)
Weight .....	41.9 lbs.	(19 kg)
Inlet Ports .....	(2) 3/4" NPT	
Discharge Ports .....	(2) 1/2" NPT	

### BP5236 List Price \$9,500.00

	U.S.	(Metric)
Flow .....	18.5 GPM	(70 LPM)
Pressure .....	1450 PSI	(100 bar)
Speed .....	570 RPM	
Horsepower .....	18.5 BHP	(13.8 kW)
Plunger Diameter.....	1.42"	(36 mm)
Plunger Stroke.....	1.65"	(42 mm)
Max Inlet Temp .....	104 °F	(40 °C)
Weight .....	110 lbs.	(50 kg)
Inlet Ports .....	(2) 1-1/4" BSP	
Discharge Ports .....	(2) 1" BSP	

### BP6150 List Price \$18,500.00

	U.S.	(Metric)
Flow .....	42.3 GPM	(160 LPM)
Pressure .....	1500 PSI	(100 bar)
Speed .....	600 RPM	
Horsepower .....	43.8 BHP	(32.7 kW)
Plunger Diameter.....	1.97"	(50 mm)
Plunger Stroke.....	1.89"	(48 mm)
Max Inlet Temp .....	104 °F	(40 °C)
Weight .....	276 lbs.	(125 kg)
Inlet Ports .....	(2) 2-1/2" BSP	
Discharge Ports .....	(2) 1-1/4" BSP	

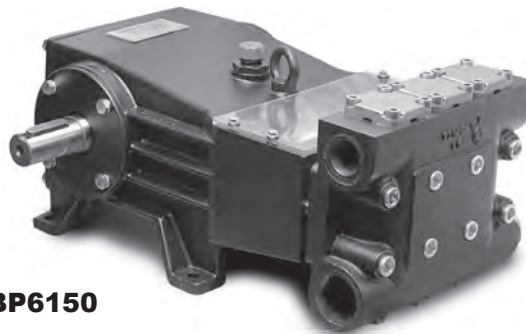
### BP8076 List Price \$46,710.00

### BP8176(w/gearbox) List Price \$50,840.00

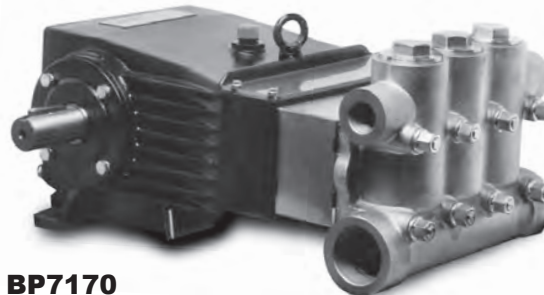
	U.S.	(Metric)
Flow .....	132 GPM	(500 LPM)
Pressure .....	1500 PSI	(100 bar)
Speed .....	520 RPM	
Horsepower .....	129 BHP	(96 kW)
Plunger Diameter.....	2.99"	(76 mm)
Plunger Stroke.....	2.83"	(72 mm)
Max Inlet Temp .....	140 °F	(60 °C)
Weight .....	738 lbs.	(335 kg)
Inlet Ports .....	(2) 3" BSP	
Discharge Ports .....	(2) 1-1/2" BSP	

### BP8085 List Price \$48,830.00

	U.S.	(Metric)
Flow .....	171.7 GPM	(650 LPM)
Pressure .....	1160 PSI	(80 bar)
Speed .....	530 RPM	
Horsepower .....	134 BHP	(100 kW)
Plunger Diameter.....	3.3"	(85 mm)
Plunger Stroke.....	2.8"	(72 mm)
Max Inlet Temp .....	104 °F	(40 °C)
Weight .....	785 lbs.	(356 kg)
Inlet Ports .....	(2) 3" BSP	
Discharge Ports .....	(2) 1-1/2" BSP	



**BP6150**



**BP7170**

### BP7171 List Price \$33,410.00

	U.S.	(Metric)
Flow .....	105.7 GPM	(400 LPM)
Pressure .....	1015 PSI	(70 bar)
Speed .....	700 RPM	
Horsepower .....	73.7 BHP	(55.0 kW)
Plunger Diameter.....	2.76"	(70 mm)
Plunger Stroke.....	2.05"	(52 mm)
Max Inlet Temp .....	104 °F	(40 °C)
Weight .....	419 lbs.	(190 kg)
Inlet Ports .....	(2) 2-1/2" BSP	
Discharge Ports .....	(2) 1-1/2" BSP	

### BP7170 List Price \$28,015.00

	U.S.	(Metric)
Flow .....	84.5 GPM	(320 LPM)
Pressure .....	1000 PSI	(70 bar)
Speed .....	560 RPM	
Horsepower .....	59 BHP	(44 kW)
Plunger Diameter.....	2.76"	(70 mm)
Plunger Stroke.....	2.05"	(52 mm)
Max Inlet Temp .....	104 °F	(40 °C)
Weight .....	423 lbs.	(192 kg)
Inlet Ports .....	(2) 2-1/2" BSP	
Discharge Ports .....	(2) 1-1/4" BSP	

### Common Materials

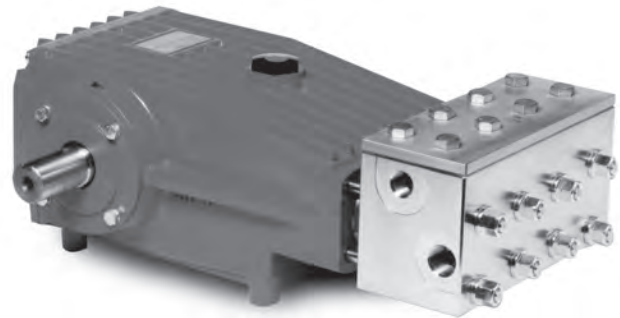
Manifold (BP100).....	Forged Brass
Manifold (other BP Series) .....	Cast Iron
Plunger .....	Solid ceramic oxide
Valves .....	Stainless Steel
Seals (high temp).....	Nitrile with fabric reinforcing
Seals (BP6150/BP7170/BP7171) .....	Aramid Packing
Seals (BP8085) .....	Rope Packing
Gear End (BP100) .....	Aluminum
Gear End (other BP Series) .....	Spheroidal Cast Iron

## Deionized Water Pump

Contact Giant for Pricing

### LP700-D

	U.S.	(Metric)
Flow .....	7.9 GPM.....	(30 LPM)
Pressure .....	7250 PSI.....	(500 bar)
Speed .....	1000 RPM	
Horsepower .....	39.8 BHP.....	(29.7 kW)
Plunger Diameter .....	0.71".....	(18 mm)
Stroke .....	1.65".....	(42 mm)
Max Inlet Temp .....	104 °F.....	(40 °C)
Weight .....	138 lbs.....	(62.7 kg)
Inlet Port .....	(2) 3/4" BSP	
Discharge Port .....	(2) 1/2" BSP	



### Materials Used

Manifold-LP700 .....	AISI 303 S.S.
Manifold-LP750 .....	Forged Brass
Plunger ....	Stainless Steel w/Hard Metal Coating
Valves .....	Stainless Steel
Seals .....	Nitrile with fabric reinforcing
Gear End .....	Spheroidal Cast Iron

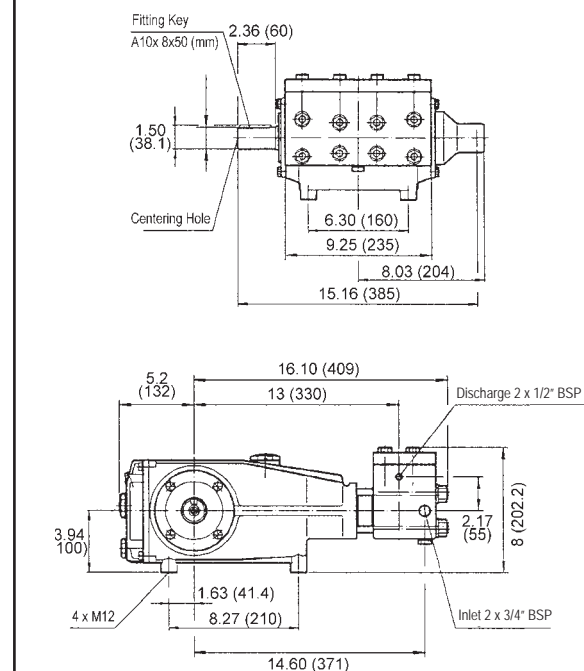
### Mounting Accessories

	Part Number	List Price
<b>Bushings</b>		
35mm H Bushing	06496*	\$128.75
<b>Pulley &amp; sheaves</b>		
12.75" Cast Iron		
4gr. AB Section	07165*	\$175.10
<b>Plated Steel Channel Rails</b>		
(L=11.75"xW1.88"xH=3.00")	07357	\$139.80

### Repair Kits

Kit	Part Number	List Price
<u>Plunger Packing Kits:</u>		
(LP700)	09736	\$917.89
(LP750)	09737	\$1,063.68
Valve Kit (LP700)	09491	\$2,287.17
Valve Kit (LP750)	09738	\$2,748.45

### LP700 DIMENSIONS - INCHES (mm)

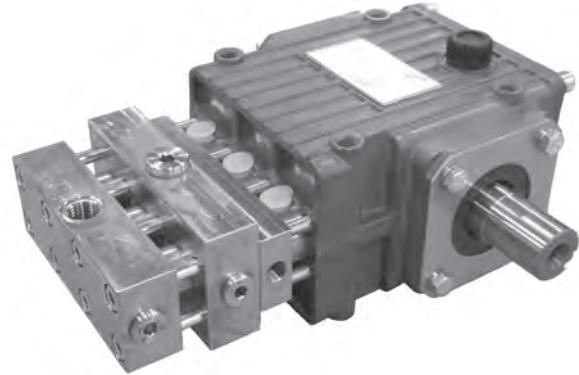


## Pentane Pumps

**P201-4120** List Price \$13,300.00

**P201-4121** List Price \$13,300.00

	<b>U.S.</b>	<b>(Metric)</b>
Flow .....	0.4 GPM	(1.5 LPM)
Pressure .....	3190 PSI	(220 bar)
Speed .....	1450 RPM	
Horsepower .....	0.88 BHP	(0.66 kW)
Plunger Diameter.....	0.47"	(12 mm)
Stroke .....	0.13"	(3.4 mm)
Inlet Port .....	(2) 1/4" BSP	
Discharge Port.....	(2) 1/4" BSP	



**P202-4120** List Price \$13,300.00

**P202-4121** List Price \$13,300.00

	<b>U.S.</b>	<b>(Metric)</b>
Flow .....	1.27 GPM	(4.8 LPM)
Pressure .....	3190 PSI	(220 bar)
Speed .....	1450 RPM	
Horsepower .....	2.8 BHP	(2.1 kW)
Plunger Diameter.....	0.47"	(12 mm)
Stroke .....	0.39"	(10 mm)
Inlet Port .....	(2) 1/2" BSP	
Discharge Port.....	(2) 1/4" BSP	

**P204-4120** List Price \$13,300.00

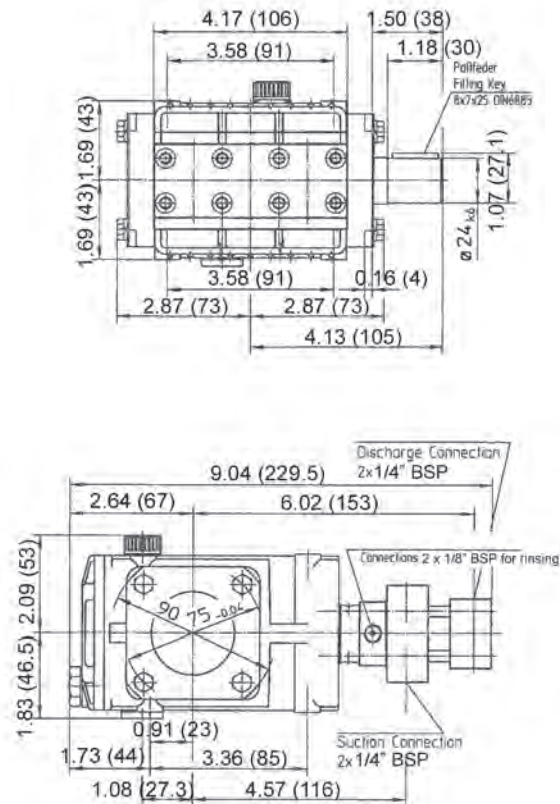
**P204-4121** List Price \$13,300.00

	<b>U.S.</b>	<b>(Metric)</b>
Flow .....	1.8 GPM	(6.8 LPM)
Pressure .....	3190 PSI	(220 bar)
Speed .....	1450 RPM	
Horsepower .....	4 BHP	3 kW
Plunger Diameter.....	0.47"	12 mm
Stroke .....	0.56"	14.1 mm
Inlet Port .....	(2) 1" BSP	
Discharge Port.....	(2) 3/4" BSP	

### Common Specifications & Materials

	<b>U.S.</b>	<b>(Metric)</b>
Max Inlet Temp .....	140 °F	(60 °C)
Weight .....	14 lbs.	(6.3 kg)
<b>Materials Used</b>		
Manifold .....	Brass	
Plunger .....	Solid ceramic oxide	
Valves .....	Stainless Steel	
Gear End .....	Aluminum	
Seals (-4020) .....	Teflon Seals/Bun-N O-Rings	
Seals (-4021) .....	Teflon Seals & Viton O-Rings	

**P200-4000 SERIES - INCHES (mm)**



# Accessories



**MADE IN THE USA**



## Shut-Off Guns

Model	Weep	Discharge Fitting	Inlet Size	Discharge Size	Special Features	List Price
21250B	N	Stainless Steel	3/8" FNPT	1/4" FNPT	Heavy Duty Housing	\$60.75
21250B-08-08SS	N	Stainless Steel			SS Inlet	\$89.50
21250-4000	N	Stainless Steel			SS Inlet Fitting/Tube	\$89.50
21250B-4000-CR	N	Stainless Steel	3/8" FNPT	1/4" FNPT	Ceramic Ball	\$95.75
21255B	Y	Stainless Steel	3/8" FNPT	1/4" FNPT	Heavy Duty Housing	\$60.75
21255B-001	Y	Stainless Steel			Viton O-Rings	\$69.50
21255-4000	Y	Stainless Steel			SS Inlet Fitting/Tube	\$89.50
21260A	N	None	3/8" FNPT	1/4" FNPT		\$42.60
21265A	Y	None	3/8" FNPT	1/4" FNPT		\$42.60
21280B	N	Stainless Steel	3/8" FNPT	1/4" FNPT	Plastic Ball	\$60.75
21290C	N	Brass	3/8" FNPT	1/4" FNPT		\$48.15
21290CB	N	Brass	3/8" FNPT	1/4" FNPT	Brass Inlet	\$53.85
21290CC	N	Brass	3/8" FNPT	1/4" FNPT	Blue Housing	\$50.70
21290C-CR	N	Brass	3/8" FNPT	1/4" FNPT	Ceramic Ball	\$54.45
21295C	Y	Brass	3/8" FNPT	1/4" FNPT		\$48.15
21295C-001	Y	Brass			Viton O-Rings	\$56.90
21295CB	Y	Brass	3/8" FNPT	1/4" FNPT	Brass Inlet	\$53.85
21295CC	Y	Brass	3/8" FNPT	1/4" FNPT	Blue Housing	\$50.70
21295CX	Y	Brass	3/8" FNPT	1/4" FNPT	XL Weep	\$48.15
21490	N	Brass	3/8" FNPT	1/4" FNPT	Heavy Duty Housing	\$50.00
21495	Y	Brass	3/8" FNPT	1/4" FNPT	Heavy Duty Housing	\$50.00
21495CB	Y	Brass	3/8" FNPT	1/4" FNPT	Heavy Duty Housing	\$55.70

## Common Specifications

	U.S.	(Metric)
Flow .....	10 GPM.....	(37.8 LPM)
Pressure .....	5000 PSI.....	(350bar)
Pressure (21280B only).....	1500 PSI.....	(100bar)
Temp.....	300 °F.....	(150 °C)
Temp (21280B only) .....	250 °F.....	(121 °C)
Inlet Fitting .....	3/8" NPT	
Discharge Fitting.....	1/4" NPT	
Weight .....	1.8 lbs.....	(0.82 kg)

**Safe**  
4:1 Burst pressure - 20,000 PSI

**Maintainable**  
Easy to repair - 5 minutes

**Value**  
Competitively Priced

**Durability**  
Housing withstands the toughest abuse

**Custom Made**  
Private labeling available

**Reliable**  
Hundreds of thousands of cycles

**Versatile**  
Weep (blue trigger) or non-weep (black trigger)

**Guarantee**  
Guaranteed for 6 months - 2 times the competition

**Made in the U.S.A.**

## Accessories



**21380**



**21381**



**21382**

### Linear Guns

Model	Specifications	Description	List Price
21380.....	10GPM @ 4500PSI.....	Linear Style.....	\$83.35
21380SS.....	10GPM @ 4500PSI.....	Stainless Steel Fittings .....	\$95.90
21380-06-04SS .....	10GPM @ 4500PSI.....	Stainless, 3/8" inlet, 1/4" outlet .....	\$121.40
21380-08-08SS .....	10GPM @ 4500PSI.....	Stainless, 1/2" inlet/outlet .....	\$121.40
21380-12-12SS .....	10GPM @ 4500PSI.....	Stainless, 3/4" inlet/outlet .....	\$133.85
21381.....	32GPM @ 4500PSI.....	Linear Style.....	\$440.00
21382.....	27GPM @ 2800PSI.....	Linear Style.....	\$275.00



**21650**



**21790**



**21795**



**27510/21470**

### Shut-Off Guns

Model	Specifications	List Price
21475.....	7.4 GPM @ 7250 PSI.....	\$380.00
21480.....	15.8 GPM @ 8700 PSI.....	\$685.00
21480-E.....	15.9 GPM @ @8700 PSI, w/ microswitch.....	\$685.00
21650.....	21 GPM @ 7250 PSI.....	\$473.60
21650-16 .....	21 GPM @ 7250 PSI w/16" lance and grip .....	\$660.00
21650-32 .....	21 GPM @ 7250 PSI w/32" lance and grip .....	\$745.00
21650-50 .....	21 GPM @ 7250 PSI w/50" lance and grip .....	\$960.00
21390-4000 .....	10 GPM @ 5200 PSI.....	\$395.00
21790.....	31.7 GPM @ 1740 PSI.....	\$230.00
21790-16 .....	31.7 GPM @ 1740 PSI w/16" lance .....	\$310.00
21790-32 .....	31.7 GPM @ 1740 PSI w/32" lance .....	\$330.00
21795.....	52.8 GPM @ 2900 PSI.....	\$440.00
27510.....	Dump Gun, 15,000 PSI .....	\$3,150.00
21470.....	Dump Gun, 40,000 PSI .....	\$2,301.09

### Accessories for above guns

Part Number	Gun For	Special Features	List Price
04055.....	21790 .....	16" lance .....	\$77.90
04056.....	21790 .....	32" lance .....	\$97.35
04089.....	21790 .....	Shoulder Rest.....	\$25.92
04343.....	21650 .....	32" lance .....	\$270.00
04359.....	21650 .....	16" lance .....	\$185.00
04360.....	21650 .....	50" lance .....	\$485.00

## Accessories



17276



21915

### Gun Assemblies

Model	Gun	Description and Special Features	List Price
17178.....	21250B .....	Quick Disconnect Fitting and 48" lance w/grip .....	\$119.15
17184.....	21250B .....	Quick Disconnect Fitting and 36" lance w/grip .....	\$114.70
17559.....	21250B .....	Quick Disconnect Fitting and 24" lance w/grip .....	\$110.25
17275.....	21260A.....	Quick Disconnect Fitting and 36" lance w/grip .....	\$85.70
17511-15.....	21290C .....	15.5" lance w/grip .....	\$64.10
17511 .....	21290C .....	24" lance w/grip .....	\$60.15
17276.....	21290C .....	36" lance w/grip .....	\$80.85
17473.....	21290C .....	48" lance w/grip .....	\$69.10
17552.....	21290C .....	Quick Disconnect Fitting and 36" 6000 PSI lance w/grip...	\$101.05
17307.....	21290C .....	Quick Disconnect Fitting and 36" lance w/grip .....	\$151.70
17330.....	21250-4000 .....	Quick Disconnect Fitting and 36" lance w/grip .....	\$145.50
17333.....	21290C .....	#5.0 25° Nozzle w/Protector and 15.5" lance w/grip.....	\$99.80
17380.....	21290C .....	#5.0 25° Nozzle w/Protector and 24" S.S. lance w/grip.....	\$103.25
17399.....	21380SS .....	24" S.S. lance w/grip .....	\$116.10
17400.....	21380SS .....	72" S.S. lance w/grip .....	\$126.25
17517.....	21250B/21380SS .....	Double Trigger gun and lance assembly .....	\$268.35
17461.....	21650 .....	32" lance w/ #6.0 turbo nozzle.....	\$1,750.00



21910

### Gun Assemblies

Model	Gun	Description and Special Features	List Price
21915-XX.....	21915 .....	21 GPM @ 1850 PSI, Long Range w/lance & nozzle .....	\$420.00
21910-XX.....	21910 .....	21 GPM @ 1850 PSI, Long Range w/lance & nozzle .....	\$510.00
21920-XX.....	21920 .....	32 GPM @ 1740 PSI, Long Range w/lance & nozzle .....	\$520.00



## Accessories

### Straight, Single Tube Stainless Steel Lances



MADE IN THE USA

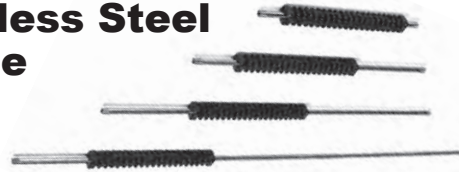


Model Number	Size Inches	Pressure PSI (bar)	Thread Size Inches (MNPT)	Weight lbs.	List Price U. S. (\$)
21731	6"	4500 (310)	1/4"	0.16	\$5.30
21730	12"	4500 (310)	1/4"	0.33	\$7.55
21716	15-1/2"	4500 (310)	1/4"	0.43	\$8.55
21715	24"	4500 (310)	1/4"	0.67	\$12.00
21718	36"	4500 (310)	1/4"	1.00	\$16.45
21755	40"	4500 (310)	1/4"	1.07	\$17.90
21727	48"	4500 (310)	1/4"	1.34	\$20.90
21719	60"	4500 (310)	1/4"	1.67	\$25.35
21725	72"	4500 (310)	1/4"	2.00	\$29.80
21726	84"	4500 (310)	1/4"	2.34	\$34.25
21753	96"	4500 (310)	1/4"	2.67	\$38.70
21732	6"	7250 (500)	1/4"	0.20	\$4.65
21784	8"	7250 (500)	1/4"	0.26	\$5.95
21733	12"	7250 (500)	1/4"	0.41	\$8.95
21734	15-1/2"	7250 (500)	1/4"	0.53	\$11.55
21735	24"	7250 (500)	1/4"	0.82	\$17.90
21736	36"	7250 (500)	1/4"	1.23	\$26.85
21736-06	36"	7250 (500)	3/8"	1.70	\$46.20
21737	48"	7250 (500)	1/4"	1.64	\$35.80
21738	60"	7250 (500)	1/4"	2.05	\$44.75
21738-06	60"	7250 (500)	3/8"	2.84	\$74.95
21739	72"	7250 (500)	1/4"	2.46	\$53.70
21739-06	72"	7250 (500)	3/8"	3.41	\$88.35
21741	84"	7250 (500)	1/4"	2.87	\$62.65*
21754	96"	7250 (500)	1/4"	1.28	\$71.60*
21781	120"	7250 (500)	1/4"	4.10	\$89.50*
*an additional packaging fee is added for this product					
21731-08	6"	7250 (500)	1/2"	0.4	\$11.05
21730-08	12"	7250 (500)	1/2"	0.8	\$17.65
21716-08	15-1/2"	7250 (500)	1/2"	1.0	\$21.50
21715-08	24"	7250 (500)	1/2"	1.6	\$30.90
21718-08	36"	7250 (500)	1/2"	2.4	\$44.10
21727-08	48"	7250 (500)	1/2"	3.2	\$57.30
21719-08	60"	7250 (500)	1/2"	4.0	\$70.55
21725-08	72"	7250 (500)	1/2"	4.8	\$83.75
21726-08	84"	7250 (500)	1/2"	5.6	\$96.95*
21781-08	120"	7250 (500)	1/2"	10.5	\$136.60*
*an additional packaging fee is added for this product					
21719-06-15K		15,000 (1034)	3/8"	12	\$980.00

All Giant Single Tube Lances can be cut to custom lengths. Please contact Giant Industries for custom pricing.

## Accessories

### Straight, Single Tube Stainless Steel Lances with 12" Adj. Handle



Model Number	Size Inches	Pressure PSI (bar)	Thread Size Inches (MNPT)	Weight lbs.	List Price U. S. (\$)
21723A	15-1/2"	4500 (310)	1/4"	0.73	\$15.95
21724	24"	4500 (310)	1/4"	0.97	\$19.10
21721A	36"	4500 (310)	1/4"	1.30	\$23.55
21748	48"	4500 (310)	1/4"	1.34	\$28.00
21722A	60"	4500 (310)	1/4"	1.97	\$32.45
21728	72"	4500 (310)	1/4"	2.30	\$36.90
21729	84"	4500 (310)	1/4"	2.64	\$41.35*
21742	15-1/2"	7250 (500)	1/4"	0.83	\$14.60
21743	24"	7250 (500)	1/4"	1.12	\$22.65
21744	36"	7250 (500)	1/4"	1.53	\$33.95
21745	48"	7250 (500)	1/4"	1.94	\$45.25
21746	60"	7250 (500)	1/4"	2.35	\$56.60
21747	72"	7250 (500)	1/4"	2.76	\$67.90
21749	84"	7250 (500)	1/4"	3.17	\$79.20*
21759	96"	7250 (500)	1/4"	4.08	\$90.55*
21759-2G (2 grips)	96"	7250 (500)	1/4"	4.11	\$98.30*

\*an additional packaging fee is added for this product

### Lance Grips

Features: 1/4" tubing, 340 °F (170 °C)

	Size	Weight	List Price
21701A	12"	0.3	\$7.75
21704 side grip	1/4"	0.45	\$25.65
21705 side grip	1/2"	0.4	\$27.05



### Bent, Single Tube Lance, 30°

Features: 1/4" MNPT Stainless Steel, 3600 PSI (250 bar), 194 °F (90 °C)

	Size	Weight (Lbs)	List Price
21782	17"	0.55	\$12.70
21783	19"	0.65	\$14.15
21762A	35 1/3"	1.25	\$42.80



### Bent, Double Tube Lance, 30°

Features: 1/4" MNPT Stainless Steel, 3600 PSI (250 bar), 194 °F (90 °C)

	Size	Weight (Lbs)	Notes	List Price
21780A	35 1/3"	2.8	Brass Seat	\$90.40
21780-S	35 1/3"	2.8	Stainless Steel Seat	\$99.45



## Accessories

### Standard Rotating Nozzles

#### 27530 Series

List Price \$81.00\*

	U.S.	(Metric)
Maximum Pressure.....	3000 PSI	(200 bar)
Maximum Flow .....	3.9 GPM	(33 LPM)
Max Temperature.....	195 °F	(95 °C)
Bearing .....		Plastic
Nozzle.....		Ceramic
Nozzle Sizes.....		025-045
Spray Angle .....		20°
Inlet.....		1/4" BSP
Weight .....	0.4 lbs.	(0.20 kg)
Kit Series .....		09790-XX

XX = nozzle/kit size (2.0, 3.0, 3.5, 4.0, 4.5)  
\*Sold in lots of 100 pieces or more



27530

#### 23800 Series

List Price \$90.00

#### 23800C Series (with cover)

List Price \$94.00

	U.S.	(Metric)
Maximum Pressure.....	3700 PSI	(255 bar)
Maximum Flow .....	8.7 GPM	(33 LPM)
Max Temperature.....	195 °F	(95 °C)
Bearing .....		Ceramic
Nozzle.....		Ceramic
Nozzle Sizes.....		020-090
Spray Angle .....		20°
Inlet.....		1/4" BSP
Weight .....	0.7 lbs.	(318 g)
Kit Series .....		09511-XX

XX = nozzle/kit size (2.0, 2.5, 3.0, 3.5, 4.0, 4.5, 5.5, 6.0, 6.5, 7.0, 7.5, 8.0, 9.0, 10.0, 12.0)



23800

#### 23810 Series

List Price \$72.00\*

#### 23810C Series (with cover)

List Price \$77.00\*

	U.S.	(Metric)
Maximum Pressure.....	3700 PSI	(255 bar)
Maximum Flow .....	11 GPM	(42 LPM)
Max Temperature.....	195 °F	(90 °C)
Bearing .....		Ceramic
Nozzle.....		Ceramic
Nozzle Sizes.....		020-200
Spray Angle .....		20°
Inlet.....		1/4" BSP
Weight .....	0.7 lbs.	(318 g)
Kit Series .....		09730-XX

XX = nozzle/kit size (3.0 and 6.0)  
\*Sold in lots of 50 pieces or more \*Contact Giant for color options



23810

#### 22040B Series

List Price \$102.00

#### 22040B-XX-QDP Assemblies

List Price \$124.00

	U.S.	(Metric)
Maximum Pressure.....	3700 PSI	(255 bar)
Maximum Flow .....	12 GPM	(45 LPM)
Max Temperature.....	195 °F	(95 °C)
Bearing .....		Ceramic
Nozzle.....		Ceramic
Nozzle Sizes.....		020-200
Spray Angle .....		20°
Inlet.....		1/4" BSP
Weight .....	0.7 lbs.	(0.32 kg)
Kit Series .....		09440A-XX

XX = nozzle/kit size (2.0, 2.5, 3.0, 3.5, 4.0, 4.5, 5.0, 5.5, 6.0, 6.5, 7.0, 8.0, 9.0, 10.0, 11.0, 12.0, 15.0, 18.0, 20.0)



22040B

## Accessories



### Standard Rotating Nozzles

#### 24036 Series

List Price \$180.00

	U.S.	(Metric)
Maximum Pressure.....	3200 PSI	(220 bar)
Maximum Flow .....	6.1 GPM	(25 LPM)
Max Temperature.....	212 °F	(100 °C)
Bearing .....		Ceramic
Nozzle.....		Ceramic
Nozzle Sizes.....		020-055
Spray Angle .....		30°
Inlet.....	1/4" BSP	
Weight .....	1.1 lbs.	(0.49 kg)
Kit: (see below).....		09795-XX

\*XX = nozzle/kit size (2.0, 3.0, 3.5, 4.0, 4.5, 5.0, 5.5, 6.0, 6.5, 7.0, 7.5)



**24036**

#### 22800 Series

List Price \$275.00

	U.S.	(Metric)
Maximum Pressure.....	3700 PSI	(255 bar)
Maximum Flow .....	5.3 GPM	(20 LPM)
Max Temp .....	195 °F	(90 °C)
Bearing .....		Ceramic
Nozzle.....		Ceramic
Nozzle Sizes.....		020-055
Spray Angle .....		40°
Inlet.....	1/4" BSP	

Kit Series .....09800-XX

\*XX = nozzle/kit size (2.0, 2.5, 3.0, 3.5, 4.0, 4.5, 5.0, 5.5, 6.0, 6.5, 7.0, 7.5)



**22800**

#### 23900 Series

List Price \$132.00

	U.S.	(Metric)
Maximum Pressure.....	4500 PSI	(310 bar)
Maximum Flow .....	6.4 GPM	(24 LPM)
Max Temperature.....	195 °F	(90 °C)
Bearing .....		Ceramic
Nozzle.....		Ceramic
Nozzle Sizes.....		020-100
Spray Angle .....		20°
Inlet.....	1/4" BSP	

Weight ..... 1.0 lbs. (450 g)

Kit Series .....09615-XXX\*

XXX = nozzle/kit size (3.0, 3.5, 4.0, 4.5, 5.0, 5.5, 6.0, 6.5, 7.0, 10.0)



**23900**

#### 22060A Series

List Price \$159.00(Sizes 2.0-12.0)

\$195.00 (Sizes 15,18,20)

#### 22060A-XX-08 Series

List Price \$201.00

#### 22060A-XX-F-QDP Assemblies

List Price \$211.00

	U.S.	(Metric)
Maximum Pressure.....	5800 PSI	(400 bar)
Maximum Flow .....	22 GPM	(83 LPM)
Max Temperature.....	195 °F	(90 °C)
Bearing .....		Ceramic
Nozzle.....		Ceramic
Nozzle Sizes.....		020-200
Spray Angle .....		20°
Inlet (22060A).....	1/4" BSP	
Weight .....	1.3 lbs.	(590 g)

Kit (see below).....09240A-XX\*

\*XX = nozzle/kit size (2.0, 2.5, 3.0, 3.5, 4.0, 4.5, 5.0, 5.5, 6.0, 6.5, 7.0, 7.5, 8.0, 9.0, 10.0,

11.0, 12.0, 15.0, 18.0, 20.0)



**22060A**



**22060A-XX-F-QDP**

### Standard Rotating Nozzles

#### **22400 Series**

List Price \$1,076.00

	<b>U.S.</b>	<b>(Metric)</b>
Maximum Pressure.....	7250 PSI	(500 bar)
Maximum Flow .....	16.2 GPM	(61 LPM)
Max Temp .....	195 °F	(90 °C)
Bearing .....		Hard Metal
Nozzle.....		Hard Metal
Nozzle Sizes.....		020-120
Spray Angle .....		20°
Inlet.....		1/4" BSP
Weight .....	2.0 lbs.	(950 g)
Kit (see below).....		09485-XX

XX = nozzle size (2.0, 2.5, 3.0, 3.5, 4.0, 4.5, 5.0, 5.5, 6.0, 6.5, 7.0, 7.5, 8.0, 9.0, 10.0, 11.0, 12.0)



**22400**

#### **23750 Series**

List Price \$2,317.00 (sizes 2.0 and 3.5)

List Price \$2,472.00 (sizes 3.0 and 4.0-7.0)

	<b>U.S.</b>	<b>(Metric)</b>
Maximum Pressure.....	10,150 PSI	(700 bar)
Maximum Flow .....	16.2 GPM	(61 LPM)
Max Temperature.....	195 °F	(90 °C)
Bearing .....		Hard Metal
Nozzle.....		Hard Metal
Nozzle Sizes.....		020-120
Spray Angle .....		20°
Inlet.....		1/4" BSP
Weight .....	2.0 lbs.	(950 g)
Kit (see below).....		09555-XXX

\*XX = nozzle size (2.0, 2.5, 3.0, 3.5, 4.0, 4.5, 5.0, 5.5, 6.0, 6.5, 7.0)



**23750**

#### **23850 Series**

List Price \$3,819.00 (sizes 2.0-2.5)

List Price \$3,749.00 (size 5.5)

List Price \$3,862.00 (sizes 3.0-6.5 except 5.5)

List Price \$4,193.00 (sizes 1.5, 1.8 and 7.0-12.0)

	<b>U.S.</b>	<b>(Metric)</b>
Maximum Pressure.....	15,000 PSI	(1000bar)
Maximum Flow .....	22.8 GPM	(86 LPM)
Max Temperature.....	195 °F	(90 °C)
Bearing .....		Hard Metal
Nozzle.....		Hard Metal
Nozzle Sizes.....		020-120
Spray Angle .....		20°
Inlet.....		1/4" BSP
Weight .....	3.75 lbs.	(1.70 kg)
Kit: (see below).....		09545-XXX

\*XXX = nozzle/kit size (1.5, 1.8, 2.0, 2.5, 3.0, 3.5, 4.0, 4.5, 5.0, 5.5, 6.0, 6.5, 7.0, 7.5, 8.0, 9.0, 10.0, 11.0,12.0)



**23850**



### Oscillating Nozzles

#### 22000 Series

List Price \$161.00

	U.S.	(Metric)
Maximum Pressure.....	3700 PSI	(255 bar)
Maximum Flow .....	5.3 GPM	(20 LPM)
Max Temperature.....	195 °F	(95 °C)
Bearing .....		Ceramic
Nozzle.....		Ceramic
Nozzle Sizes.....		020-055
Spray Angle .....		30°
Inlet.....		1/4" BSP
Kit Series .....		.09805-XX

XX = nozzle/kit size (2.0, 2.5, 3.0, 3.5, 4.0, 4.5, 5.0, 5.5)



22000

#### 22700 Series

List Price \$139.00

	U.S.	(Metric)
Maximum Pressure.....	3700 PSI	(255 bar)
Maximum Flow .....	5.3 GPM	(20 LPM)
Max Temperature.....	195 °F	(95 °C)
Bearing .....		Ceramic
Nozzle.....		Ceramic
Nozzle Sizes.....		020-055
Spray Angle .....		24°
Inlet.....		1/4" BSP
Weight .....	1.4 lbs.	(0.64 kg)
Kit .....		.09470-XX

XX = nozzle/kit size (2.0, 3.0, 3.5, 4.0, 4.5, 5.0, 5.5, 6.0, 7.0)



**22700**  
Brown cover

### Hydroexcavating Nozzles

#### 23000 Series Slow Rotating

List Price \$161.00\*  
193.00\*\* 237.00\*\*\*

	U.S.	(Metric)
Maximum Pressure.....	3600 PSI	(248 bar)
Maximum Flow .....	22 GPM	(83 LPM)
Max Temperature.....	195 °F	(90 °C)
Bearing .....		Ceramic
Nozzle.....		Ceramic
Nozzle Sizes.....		020-060
Spray Angle .....		20°
Inlet.....		1/4" BSP
Weight .....	1.4 lbs.	(0.64 g)
Kit Series .....		.09620-XX

XX = nozzle/kit size (2.0, 2.5, 3.0, 3.5, 4.0, 4.5, 5.0, 5.5, 6.0)

\*Sizes 2.0-6.0

\*\*Size 10.0

\*\*\*Size 30.0



23000

### Sewer Cleaning Turbo Nozzles

<b>23820-02-25</b>	List Price \$314.00
<b>23820-02-30</b>	List Price \$330.00
<b>23820-02-35</b>	List Price \$345.00
<b>23820-08 Series</b>	List Price \$628.00
<b>23820-16 Series</b>	List Price \$773.00



**23820**



**23820-08**



**23820-16**

	U.S.	(Metric)
Maximum Pressure.....	4350 PSI	(300 bar)
Maximum Flow .....	11.0 GPM	(33 LPM)
Max Temperature.....	195 °F	(90 °C)
Bearing .....		Ceramic
Nozzle.....		Ceramic
Nozzle Sizes.....		025-095
Spray Angle .....		24°
Inlet (-02) .....		1/8" BSP
Inlet (-08) .....		1/2" BSP
Inlet (-16) .....		1" BSP
Weight .....	0.7 lbs.	(300 g)
Kit Series .....		.09810-XX

XX = nozzle/kit size (2.5, 3.0, 3.5, 3.8, 4.0, 6.9, 5.5, 9.5)

### Turbo Nozzle Filters

Model Number	Description	Weight lbs. (kg)	List Price U. S. (\$)
22175	1/4" NPT x 1/4" FNPT (50 mesh)	0.4 (0.18)	\$19.35
22175-08	1/4" NPT x 1/2" FNPT (50 mesh)	0.4 (0.18)	\$33.60
22175-4000	1/4" NPT x 1/4" FNPT (50 mesh, SS)	0.4 (0.18)	\$26.25

Rated up to 5000 PSI



**22175/22175-4000**

### Turbo Nozzle Holders

Model Number	Description	Weight lbs. (kg)	List Price U. S. (\$)
05875	1/4" MNPT	0.35 (0.16)	\$22.40
05875-04	2X1/4" MNPT	0.35 (0.16)	\$38.05
05875-04-4000	2x1/4" MNPT, Stainless Steel	0.34 (0.15)	\$38.05

Rated up to 5000 PSI / up to 30° angle



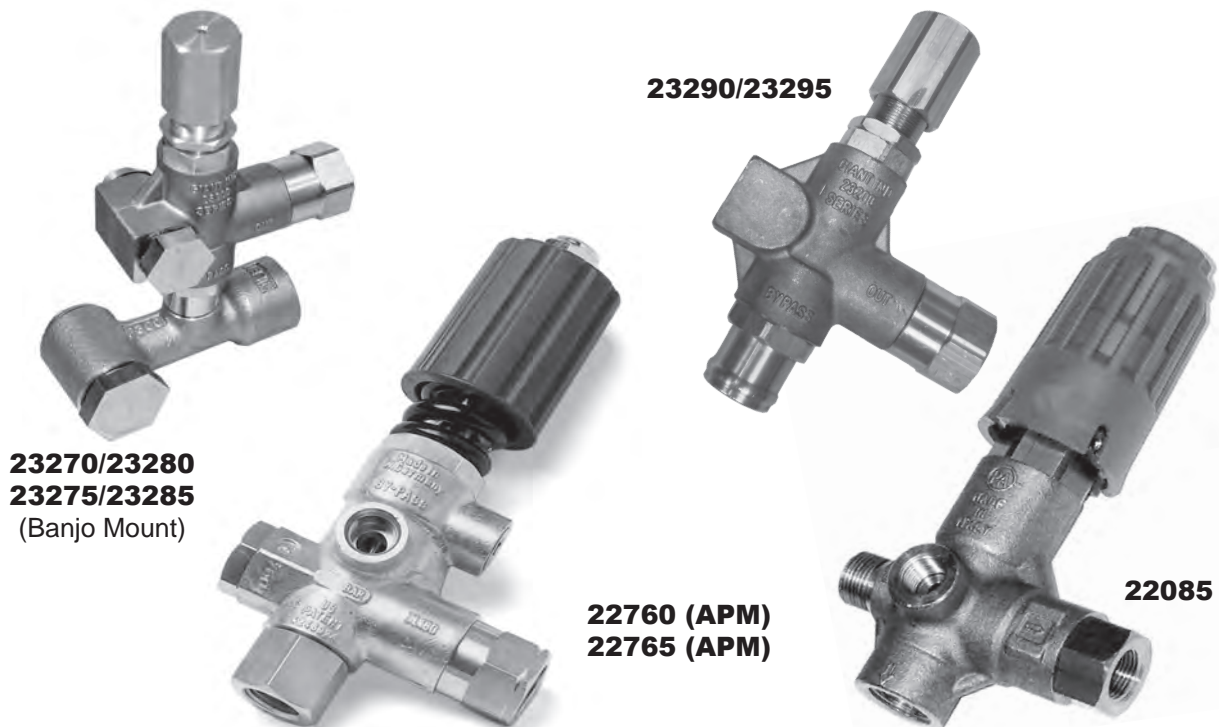
**05875**

## Accessories

Model Number	Flow GPM (LPM)	Pressure PSI (bar)	Temp. °F (°C)	Disch. FNPT in.	Inlet FNPT in.	Bypass in.	Weight lbs.	List Price U. S. (\$)
23275	6.6 (24)	2000 (140)	194 (90)	3/8	1/2	Internal	2.0	\$120.00
23285	6.6 (24)	2000 (140)	194 (90)	3/8	1/2	Internal	2.0	\$120.00
23295	6.6 (24)	2000 (140)	194 (90)	3/8	3/8	3/8FNPT	1.8	\$120.00
23270	6.6 (24)	4000 (276)	194 (90)	3/8	1/2	Internal	2.0	\$120.00
23270-01*	6.6 (24)	4000 (276)	194 (90)	3/8	1/2	Internal	2.0	\$125.65
23280	6.6 (24)	4000 (276)	194 (90)	3/8	1/2	Internal	2.0	\$120.00
23280-01*	6.6 (24)	4000 (276)	194 (90)	3/8	1/2	Internal	2.0	\$125.65
23290	6.6 (24)	4000 (276)	194 (90)	3/8	3/8	3/8FNPT	1.8	\$120.00
23290-01*	6.6 (24)	4000 (276)	194 (90)	3/8	3/8	3/8FNPT	1.8	\$125.65
23270/23280 with fixed injector								\$124.35
23270/23280 with adjustable injector								\$126.35
22765A	5 (19)	4000 (276)	160 (70)	3/8	3/8	1/4BSP	2.1	\$179.80
22765APM	5 (19)	4000 (276)	160 (70)	3/8	3/8	1/4BSP	2.1	\$290.00
22765A-SS*	5 (19)	4000 (276)	160 (70)	3/8	3/8	1/4BSP	2.1	\$220.50
22760A	8 (30)	145-3050 (10-210)	160 (70)	3/8	3/8	1/4BSP	2.1	\$128.60
22760L	8 (30)	580 (40)	160 (70)	3/8	3/8	1/4BSP	2.1	\$128.60
22760APM	8 (30)	3000 (207)	160 (70)	3/8	3/8	1/4BSP	2.1	\$149.60
22760ASS*	8 (30)	3000 (207)	160 (70)	3/8	3/8	1/4BSP	2.1	\$143.30
22760-01*	8 (30)	145-3045 (10-210)	195 (91)	3/8	3/8	1/4BSP	2.1	\$182.00
22085	10.5 (40)	5100/5655 (350/390)	140 (60)	3/8	3/8MNPT	1/2BSP	1.8	\$261.10

\* -01 Unloader with Viton Seal

\* SS Stainless Steel inlet & discharge fittings





## Accessories

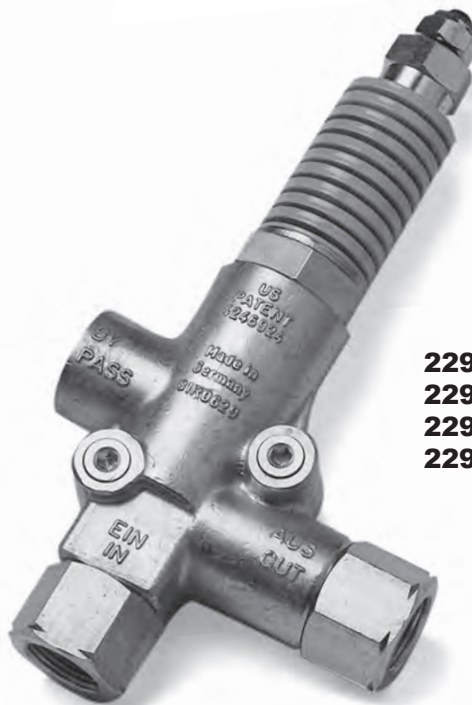
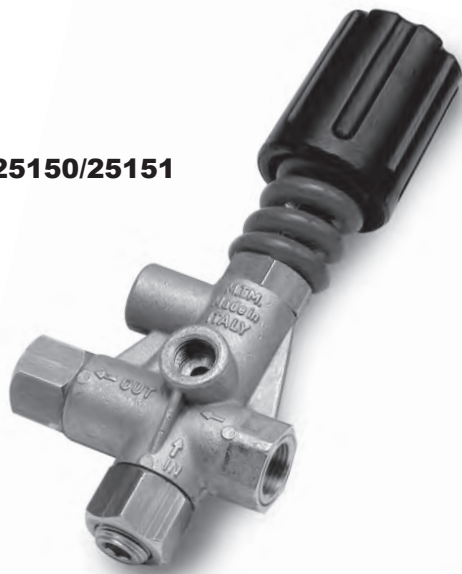
Model Number	Flow GPM (LPM)	Pressure PSI (bar)	Temp. °F (°C)	Disch. FNPT in.	Inlet FNPT in.	Bypass BSP in.	Weight lbs. (kg)	List Price U. S. (\$)
25150	10.5 (40)	4100 (283)	195 (90)	3/8*	3/8*	3/8	1.5 (0.7)	\$92.35
25151	10.5 (40)	1800 (124)	195 (90)	3/8*	3/8*	3/8	1.5 (0.7)	\$92.35
22910A <sup>□</sup> *	13 (49)	800 (55)	160 (71)	1/2	1/2	1/2	2.8 (1.3)	\$212.60
22911A <sup>□</sup> *	13 (49)	1400 (100)	160 (71)	1/2	1/2	1/2	2.8 (1.3)	\$212.60
22912A <sup>□</sup> *	13 (49)	2400 (165)	160 (71)	1/2	1/2	1/2	2.8 (1.3)	\$212.60
22913A <sup>□</sup> *	13 (49)	3000 (207)	1/2	1/2	1/2	2.8 (1.3)	\$212.60	

\* FBSP (not FNPT)

<sup>□</sup> (H) with handwheel \$205.00

\* (-01) with viton seals \$353.50

**25150/25151**



**22910A = Silver Springs**  
**22911A = Yellow Springs**  
**22912A = Red Springs**  
**22913A = Orange Springs**

## Accessories

Model Number	Flow GPM - (LPM)	Pressure PSI - (bar)	Temp. °F (°C)	Disch. FNPT in.	Inlet FNPT in.	Bypass FNPT in.	Weight lbs. (kg)	List Price U. S. (\$)
22082	21 - (80)	4100 (283)	195 (90)	1/2	1/2	1/2	6.7 (3.0)	\$220.00
22082-SS	21 - (80)	4100 (283)	195 (90)	1/2	1/2	1/2	6.7 (3.0)	\$230.75
22083	21 - (80)	2200 (152)	195 (90)	1/2	1/2	1/2	6.7 (3.0)	\$220.00
22083-SS	21 - (80)	2200 (152)	195 (90)	1/2	1/2	1/2	6.7 (3.0)	\$230.75
Above can be purchased with a Handwheel - Add an H to the part number and \$25.00 to the cost.								
<b>Rated/Permissible</b>								
22097-5000 <sup>B</sup>	21 - (80)	2200/2450(150/170)	195 (90)	1/2	1/2	1/2	6.7 (3.0)	\$1,641.45
22095-4000 <sup>A</sup>	21 - (80)	5800/6500(400/450)	195 (90)	1/2	1/2	1/2	2.9 (1.3)	\$866.45
22095-5000 <sup>B</sup>	21 - (80)	4050/4520(283/310)	195 (90)	1/2 BSP	1/2 BSP	1/2 BSP	2.9 (1.3)	\$1,641.45
22106-51	21 - (80)	4060/4500(280/310)	195 (90)	1/2 BSP	1/2 BSP	1/2 BSP	1.9 (0.9)	\$1,330.00
<hr/>								
22973C	26.4 - (100)	4060 (280)	160 (71)	3/4	3/4	3/4BSP	6.7 (3.0)	\$598.25
22973C-01*	26.4 - (100)	4060 (280)	160 (71)	3/4	3/4	3/4BSP	6.7 (3.0)	\$690.00
22973C-40*	26.4 - (100)	4060 (280)	160 (71)	3/4BSP	3/4BSP	3/4BSP	6.7 (3.0)	\$2,640.00
22973C-50*	26.4 - (100)	4060 (280)	160 (71)	3/4BSP	3/4BSP	3/4BSP	6.7 (3.0)	\$6,020.00
22971CP*	26.4 - (100)	4060 (280)	160 (71)	3/4	3/4	3/4BSP		\$2,490.00
22974C	35.7 - (135)	580 (40)	160 (71)	3/4	3/4	3/4BSP	6.7 (3.0)	\$598.25
22971C	35.7 - (135)	1740 (120)	160 (71)	3/4	3/4	3/4BSP	6.7 (3.0)	\$598.25
22971CH	35.7 - (135)	1740 (120)	160 (71)	3/4	3/4	3/4BSP	6.7 (3.0)	\$690.00
22971C-01*	35.7 - (135)	1740 (120)	160 (71)	3/4	3/4	3/4BSP	6.7 (3.0)	\$690.00
22971C-40*	35.7 - (135)	1740 (120)	160 (71)	3/4BSP	3/4BSP	3/4BSP	6.7 (3.0)	\$2,640.00
22971C-50*	35.7 - (135)	1740 (120)	160 (71)	3/4BSP	3/4BSP	3/4BSP	6.7 (3.0)	\$6,020.00
22971C-51*	35.7 - (135)	1740 (120)	160 (71)	3/4BSP	3/4BSP	3/4BSP	6.7 (3.0)	\$6,340.00
22973CP*	35.7 - (135)	4060 (280)	160 (71)	3/4	3/4	3/4BSP	8.0 (3.6)	\$2,490.00
<hr/>								
22090	53 - (200)	2200 (152)	194 (90)	1	1	1	4.4 (2.0)	\$635.05
22090P	53 - (200)	2200 (152)	194 (90)	1	1	1	8.8 (4.0)	\$1,350.00
22091	53 - (200)	1015 (70)	194 (90)	1	1	1	4.4 (2.0)	\$580.00

A = 303 Stainless Steel    B = 316 Stainless Steel

- \* [ -SS = SS Inlet Fitting  
 -01 = Unloader with Viton Seals  
 -40 = Unloader with 303 S.S.  
 -50 = Unloader with 316 S.S.  
 P or CP = Pneumatically Controlled



**22095-4000/  
22095-5000**



**22971C/22973C/22974C**



**22082/22083**



**22090/22091 Series**

## Accessories

Model Number	Flow GPM - (LPM)	Pressure PSI - (bar)	Temp. °F (°C)	Disch. BSP in.	Inlet BSP in.	Bypass BSP in.	Weight lbs. (kg)	List Price U. S. (\$)
22230	15.9 (60)	11600 (800)	195 (90)	1/2"	1/2"	1/2"	5.5 (2.5)	\$1,345.00
22950	16 (61)	5800 (400)	160 (71)	1 FNPT	1 FNPT	1	17.5 (8.0)	\$2,195.00
22950H	16 (61)	5800 (400)	160 (71)	1 FNPT	1 FNPT	1	17.5 (8.0)	\$2,195.00
22210	21.1 (80)	5800 (400)	158 (70)	1/2	1/2	1/2	2.2 (1.0)	\$785.00
22215	21.1 (80)	7250 (500)	158 (70)	1/2	1/2	1/2	2.2 (1.0)	\$895.00
22980	26 (98)	8700 (600)	160 (71)	1/2	3/4	1/2	15.4 (7.0)	\$1,780.00
22980-30*	26 (98)	7200 (496)	190 (88)	1/2NPT	3/4NPT	1/2NPT	15.4 (7.0)	\$5,935.00
22980P**	26.4 (100)	7,250 (500)	158 (70)	1/2	3/4	1/2	22.0 (10)	\$3,445.00
22949	32 (121)	3200 (221)	160 (71)	1 FNPT	1 FNPT	1	17.5 (8.0)	\$2,195.00
22949H	32 (121)	3200 (221)	160 (71)	1 FNPT	1 FNPT	1	17.5 (8.0)	\$2,195.00
22982	52.8 (200)	3000 (200)	190 (88)	1	1	3/4	15.4 (7.0)	\$1,780.00
22947	60 (227)	1160 (80)	160 (71)	1 FNPT	1 FNPT	1	17.5 (8.0)	\$2,195.00
22947H	60 (227)	1160 (80)	160 (71)	1 FNPT	1 FNPT	1	17.5 (8.0)	\$2,195.00
22948	60 (227)	1600 (110)	160 (71)	1 FNPT	1 FNPT	1	17.5 (8.0)	\$2,195.00
22948H	60 (227)	1600 (110)	160 (71)	1 FNPT	1 FNPT	1	17.5 (8.0)	\$2,195.00
22983	66 (250)	800 (55)	190 (88)	1	1	3/4	15.4 (7.0)	\$1,780.00
22981	66 (250)	2200 (152)	190 (88)	1	1	3/4	15.4 (7.0)	\$1,780.00
22981-30*	66 (250)	2200 (152)	190 (88)	1	1	3/4	15.4 (7.0)	\$5,800.00
22981P**	66 (250)	2175 (150)	158 (70)	1	1	3/4	22.0 (10)	\$3,445.00
22982P**	66 (250)	2610 (180)	158 (70)	1	1	3/4	15.4 (7.0)	\$3,445.00
22984	79.3 (300)	3000 (200)	160 (71)	1	1	3/4	15.4 (7.0)	\$1,780.00
22984P**	79.3 (300)	3000 (200)	160 (71)	1	1	3/4	15.4 (7.0)	\$3,165.00
22860P**	106 (400)	2320 (160)	104 (40)	1-1/4	1-1/4	1-1/4	17.6 (8)	\$3,350.00
22109	120 (450)	4350 (300)	140 (60)	1-1/4 FNPT	1-1/4 FNPT	1-1/2 FNPT	13.3 (6.0)	\$2,260.35

\* = 303 S.S.

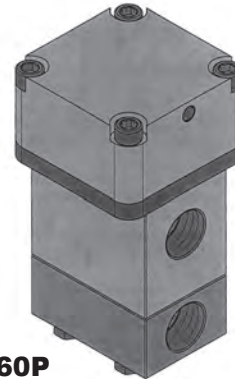
\*\* = Pneumatically Controlled



**22980P/22861P**



**22981/22980**



**22860P**



**22210**



**22109**



**22948 = Yellow Springs  
22949 = Red Springs  
22950 = Orange Springs**



Seawater  
Duty

## Accessories

Model Number	Flow GPM (LPM)	Pressure PSI (bar)	List Price U. S. (\$)
<b>Flow Actuated Unloader</b>			
22648	1.5 - 4.0 (5.7 - 15)	0 - 3000 (0 - 207)	\$178.00
22648A	1.5 - 4.0 (5.7 - 15)	0 - 3000 (0 - 207)	\$210.00
22650	3.0 - 4.5 (12 - 17)	0 - 3000 (0 - 207)	\$178.00
22650A	3.0 - 4.5 (12 - 17)	0 - 3000 (0 - 207)	\$210.00
22655	3.0 - 5.5 (12 - 21)	0 - 3000 (0 - 207)	\$178.00
22654A	3.5 - 4.8 (13 - 18)	3000-4000 (207 - 276)	\$210.00
22656	4.5 - 6.5 (17 - 25)	0 - 3000 (0 - 207)	\$178.00
22647	5.5 - 6.5 (21 - 25)	0 - 3000 (0 - 207)	\$178.00

Temperature: 160 °F (70 °C), Discharge & Inlet Fitting (3/8" FNPT), Weight: 2 lbs. (0.9 kg)



**22600 Series**



Model Number	Flow GPM (LPM)	Pressure PSI (bar)	Temp. °F (°C)	Disch. FBSP in.	Inlet FBSP in.	Bypass MBSP in.	Weight lbs. (kg)	List Price U. S. (\$)
<b>Industrial Flow Actuated Unloader</b>								
22665	13 (49)	7250 (500)	140 (60)	1/2	1/2	1/2	9 (4.1)	\$2,760.00

Model Number	Flow GPM (LPM)	Pressure PSI (bar)	Temp. °F (°C)	Disch. and Inlet	Bypass BSP in.	Weight lbs. (kg)	List Price U. S. (\$)
22675-M24	13 (49)	15,000 (1034)	140 (60)	M24 x 1.5	1/2	9.7(4.4)	\$3,935.00
22675-F26	13 (49)	15,000 (1034)	140 (60)	F26 x 1.5	1/2	9.7(4.4)	\$3,935.00
22675-M08	13 (49)	15,000 (1034)	140 (60)	M24 x 1.5	1/2 MNPT	9.7(4.4)	\$3,935.00

**22665**



**22675-M24  
22675-F26**



**22675-M08**



# PRESSURE ACTUATED REGULATORS GIANT

## Accessories

Model Number	Flow GPM (LPM)	Pressure PSI (bar)	Temp. °F (°C)	Inlet FNPT in.	Bypass BSP in.	Weight lbs. (kg)	List Price U. S. (\$)
<b>Regulators</b>							
22107-51	5.3 (20)	1813 (125)	194 (90)	1/4 <sup>+</sup>	1/4	7.6 (3.4)	\$260.00
22760AR	8 (30)	3045 (10-210)	160 (71)	3/8	1/4	2.1 (1.0)	\$128.60
22760LR	8 (30)	580 (40)	160 (71)	3/8	1/4	2.1 (1.0)	\$128.60
21906	10 (40)	150 (100)	160 (71)	3/8	3/8 FNPT	0.8 (0.4)	\$55.00
21906F	10 (40)	150 (140)	160 (71)	3/8	3/8 FNPT	0.8 (0.4)	\$57.00
21908	10 (40)	150 (140)	160 (71)	1/4	3/8 FNPT	0.8 (0.4)	\$55.00
21905	10 (40)	2000 (140)	160 (71)	3/8	3/8 FNPT	0.8 (0.4)	\$55.00
21905F	10 (40)	2000 (140)	160 (71)	3/8	3/8 FNPT	0.8 (0.4)	\$57.50
25165	10.5 (40)	1500 (100)	194 (90)	3/8**	1/4**	1.3 (0.6)	\$92.00
25160	10.5 (40)	4100 (283)	194 (90)	3/8**	1/4**	1.3 (0.6)	\$92.35
22235	10.6 (40)	4500 (310)	195 (90)	3/8	3/8	0.8 (0.38)	\$93.25
22910AR	13 (49)	800 (55)	160 (71)	1/2	1/2	2.8 (1.3)	\$212.60
22911AR	13 (49)	1400 (97)	160 (71)	1/2	1/2	2.8 (1.3)	\$212.60
22912AR	13 (49)	2400 (165)	160 (71)	1/2	1/2	2.8 (1.3)	\$212.60
22913AR	13 (49)	3000 (207)	160 (71)	1/2	1/2	2.8 (1.3)	\$212.60
22950R	16.0 (61)	5,800 (400)	160 (71)	1	1	17.5 (8.0)	\$2,195.00
22098-4000	21 (79)	2200 (152)	194 (90)	1/2	1/2 FNPT	2.9 (1.3)	\$882.60
22096-4000	21 (79)	5800 (400)	194 (90)	1/2	1/2 FNPT	2.9 (1.3)	\$882.60
22098-5000	21 (79)	2200 (152)	194 (90)	1/2	1/2 FNPT	2.9 (1.3)	\$1,641.45
22096-5000	21 (79)	4000 (283)	194 (90)	1/2	1/2 FNPT	2.9 (1.3)	\$1,496.15

\*\* FBSPP (not FNPT) \* BSPP (not FNPT)



**25165**



**25161/25162**



**21905 /  
21905F/  
21908**



**22910AR = Silver Springs  
22911AR = Yellow Springs  
22912AR = Red Springs  
22913AR = Orange Springs**

# PRESSURE ACTUATED REGULATORS GIANT

## Accessories

Model Number	Flow GPM (LPM)	Pressure PSI (bar)	Temp. °F (°C)	Inlet FNPT in.	Bypass BSP in.	Weight lbs. (kg)	List Price U. S. (\$)
<b>Regulators</b>							
<i>22980R</i>	26 (98)	8700 (600)	160 (71)	3/4+	1/2	15.4 (7.0)	\$1,780.00
<i>22980R-30</i>	26 (98)	10,000 (690)	190 (88)	3/4+	1/2	15.4 (7.0)	\$5,990.00
<i>22973CR</i>	26.4 (100)	4060 (280)	160 (71)	3/4	3/4	6.7 (3.0)	\$598.25
<i>22973CR-40</i>	26.4 (100)	4060 (280)	160 (71)	3/4+	3/4	6.7 (3.0)	\$2,640.00
<i>22973CRH</i>	26.4 (100)	4060 (280)	160 (71)	3/4	3/4	4.6 (2.1)	\$690.00
<i>22949R</i>	32 (120)	3200 (220)	160 (71)	1	1	17.5 (8.0)	\$2,195.00
<i>22974R</i>	35.7 (135)	580 (40)	160 (71)	3/4	3/4	6.7 (2.1)	\$598.25
<i>22971CR</i>	35.7 (135)	1740 (120)	160 (71)	3/4	3/4	6.7 (3.0)	\$598.25
<i>22971CR-40</i>	35.7 (135)	1740 (120)	160 (71)	3/4+	3/4	6.7 (3.0)	\$2,640.00
<i>22982R</i>	52.8 (200)	3000 (200)	190 (88)	1+	3/4	15.4 (7.0)	\$1,780.00
<i>22090R</i>	53 (200)	2200 (152)	195 (90)	1	1 FNPT	4.6 (2.1)	\$635.05
<i>22105</i>	53 (200)	2600 (180)	194 (90)	3/4	1/2 FNPT	1.8 (0.8)	\$285.25
<i>22948R</i>	60 (227)	1,600 (110)	160 (71)	1	1	17.5 (8.0)	\$2,195.00
<i>22191-D</i>	66 (250)	4060 (280)	140 (60)	1**	1 MBSP	4.1 (1.9)	\$1,687.15
<i>22981R</i>	66 (250)	2200 (152)	190 (88)	1+	3/4	15.4 (7.0)	\$1,780.00
<i>22981R-30</i>	66 (250)	2200 (152)	190 (88)	1	3/4	15.4 (7.0)	\$5,935.00
<i>22109R</i>	120 (450)	4800 (330)	194 (90)	1-1/4**	1-1/2	13.3 (6.0)	\$2,260.35

\*\* FBSPP (not FNPT) + BSPP (not FNPT)



**22191**



**22105**



**22973CR**



**22096-5000**



**22980R-30**

**Accessories**

**ACCUMULATORS**

Model Number	Body/Bladder Construction	Pressure (PSI)	Gas Volume	Inlet Fitting (MNPT)	Weight lbs. (kg)	List Price U. S. (\$)
22050	303 S.S./Buna-N	3000	5.6 in <sup>3</sup>	3/8" FNPT	3.6 (1.4)	\$183.90
22050-5100	316 S.S./Buna-N	3000	5.6 in <sup>3</sup>	3/8" FNPT	3.6 (1.4)	\$295.75
22050A	316 S.S./Buna-N	2700	6.75 in <sup>3</sup>	1/2"	5.2 (2.4)	\$198.10
22050A-0033	316 S.S./EPDM	2700	6.75 in <sup>3</sup>	1/2"	5.2 (2.4)	\$199.15
22050A-5100	316 S.S./Buna-N	2700	6.75 in <sup>3</sup>	1/2"	5.2 (2.4)	\$225.00
22155A	316 S.S./Buna-N	2700	9.1 in <sup>3</sup>	3/8" FNPT	4.6 (2.1)	\$270.00
22155A-5100	316 S.S./Buna-N	2700	9.1 in <sup>3</sup>	3/8" FNPT	4.6 (2.1)	\$296.90
22155	303 S.S./Buna-N	2700	9.1 in <sup>3</sup>	3/4"	4.6 (2.1)	\$274.00
22155-5100	303 S.S./Buna-N	2700	9.1 in <sup>3</sup>	3/4"	4.6 (2.1)	\$416.90
22188	Chrome-Moly Steel/Buna-N	5000	1 qt	3/4" FNPT	9.5 (4.3)	\$1,530.00
22189	Chrome-Moly Steel/Buna-N	3000	1 qt	3/4" FNPT	9.5 (4.3)	\$1,410.00
22156	Chrome-Moly Steel/Buna-N	3000	214 in <sup>3</sup>	1-1/4" FNPT	32 (14.5)	\$2,775.00
22156-0100	Marine Epoxy/SS/Buna-N	3000	214 in <sup>3</sup>	1-1/4" FNPT	32 (14.5)	\$3,185.00
22156-7000	Nickel-Plated/SS/Buna-N	3000	214 in <sup>3</sup>	1-1/4" FNPT	32 (14.5)	\$3,255.00
22156-0103	Marine Epoxy/SS/EPR	3000	214 in <sup>3</sup>	1"	32 (14.5)	\$3,580.00
22152-0100	Marine Epoxy/SS/Nitrile	3000	1106 in <sup>3</sup>	2" FNPT	76 (34.5)	\$4,690.00



**22050**



**22188/  
22189**



**22155**

**22050A**

**Accessories**



**POP-OFF VALVES/RELIEF VALVES**

Model Number	Description (ID Number Stamped on Product)	Pressure PSI (bar)	List Price U. S. (\$)
22530A	3/8", Silver Spring (5)	1200 (83)	\$14.50
22530A-5100	3/8", Yellow Spring, 316 S.S.	1200 (83)	\$52.55
22550A	1/4", Silver Spring (1)	1200 (83)	\$14.50
22531A	3/8", Red Spring (6)	2400 (165)	\$14.50
22531A-5100	3/8", Purple Spring, 316 S.S.	2400 (165)	\$52.55
22560A	1/4", Red Spring (2)	2400 (165)	\$14.50
22532A	3/8", Orange Spring (7)	3600 (248)	\$14.50
22532A-5100	3/8", Black Spring, 316 S.S.	3600 (248)	\$52.55
22565A	1/4", Orange Spring (3)	3600 (248)	\$14.50
22533A	3/8", Blue Spring (8)	5000 (345)	\$14.50
22533A-5100	3/8", Green Spring, 316 S.S.	5000 (345)	\$52.55
22568	1/4", Blue Spring (4)	5000 (345)	\$14.50

Flow: GPM 10 (40LPM), Temp: 195 °F (90 °C), Weight: 0.3 lbs. (0.14 kg)



**22530 SERIES**

**INDUSTRIAL SAFETY VALVES**

Model Number	Description	Flow GPM (LPM)	Pressure PSI (bar)	Temp. °F (°C)	List Price U. S. (\$)
22107-51	316 S. S. Safety Valve	5.3 (20)	1800 (124)	194 (90)	\$260.00
23140	Heavy Duty Safety Valve	13 (49)	15,000 (1,034)	104 (40)	\$1,515.00



**22107-51**



**23140**

**FILTER/STRAINER**

Model Number	Description	List Price U. S. (\$)
22145B	Inlet Filter, 1/2" FBSP, 300 micron	\$31.85
04755	Y-Strainer, 3/4", Bronze	\$100.00



**22145B**



**04755**



## Accessories

### Pulsator Valves

Model Number	Description	List Price U. S. (\$)
08199	P200	\$61.85
22733	MP4130	\$150.00
22734	MP4120/MP4124	\$150.00
22734SB	MP4120/MP4124 w/solenoid	\$400.00
22734SB-DC	MP4120/MP4124 w/solenoid & deutsch connector	\$419.25
22735	P400 Pumps	\$150.00
22735SB	P400 Pumps	\$360.00
22736	P316, P317, P319	\$61.85
22737	LP301A, LP600	\$150.00
22737S	LP301A w/solenoid	\$400.00
22737SB	LP301A w/solenoid valve and cover	\$400.00
22737SB-DC	LP301A w/solenoid & deutsch connector	\$419.25
22738	P54, P58, P59	\$61.85
22739	P321/P314	\$61.85
22740	LP350, LP400, LP450	\$150.00
22741	LP123	\$150.00
22741SB	LP123	\$360.00
22742	GP5128/GP5132/GP5142/GP5145	\$247.50
22742SB	GP5128/GP5132/GP5142/GP5145 w/solenoid & cover	\$360.00
22743	P435B/P455B	\$112.50
22744	P420, P422, P423-HP	\$150.00
22745	LP305	\$150.00



### Electric Clutch

Model Number	Description	List Price U. S. (\$)
23910	Electric clutch for P200 & P300	\$685.30
23920	Electric clutch for P54, P55, P56, P58, P59 Pumps	\$685.30
23930	Electric clutch for P46 Pumps	\$685.30
23940	Electric clutch for P400 Series Pumps	\$943.40
23960	Electric clutch for MP Series Pumps	\$900.00
23970	Electric clutch for P57 Pump	\$685.30



### Oil

Model Number	Description	List Price U. S. (\$)
01153	Giant Oil 20W-50 (1 Quart)	\$20.00
01154	Industrial Gear Oil 80W-90 (1 Gallon)	\$67.05
01157	Food Grade for CO2 (1 Quart)	\$69.45
01157-2.5	Food Grade for CO2 (2.5 Gallon)	\$639.55
01158	Gear Guard 220 (1 Gallon)	\$58.25
01159	Gear Guard 220 (2.5 Gallon)	\$62.50
09536	Oil Drain Kit, P400 & Larger	\$64.05
09607	Oil Drain Kit, P200 / P300 - P46-P59	\$45.84



**Accessories**

**THERMAL RELIEF VALVES**

Flow: 8 GPM (30 LPM), Pressure: 90 PSI (6.2 bar),  
Temp: 140 °F (60 °C), Weight: 0.3 lbs. (0.14 kg)



Model Number	Description	List Price U. S. (\$)
23422B	1/2" NPT Thermal Relief Valve	\$9.15
23421B	3/8" NPT Thermal Relief Valve	\$9.55
23420B	1/4" NPT Thermal Relief Valve	\$9.55



**DRAIN VALVES**

Model Number	Description	List Price U. S. (\$)
22320	GP8000 Valve Lifters	\$610.60
22321	GP7000 Valve Lifters	\$610.60



**22320**

**PRESSURE SWITCHES**



**25177A-4000**



**25152**

195 °F, IP55, 3 Wire

Model Number	Inlet Size	Material	Actuation Pressure	Pressure PSI (bar)	Weight lbs. (kg)	List Price U. S. (\$)
25166	1/8" MBSP	Brass	210 PSI	4100 (283)	0.3 (0.14 kg)	\$28.35
25167	1/8" MBSP	Brass	360 PSI	4100 (283)	0.3 (0.14 kg)	\$28.35
25168	1/8" MBSP	Brass	580 PSI	4100 (283)	0.3 (0.14 kg)	\$28.35
25169	1/4" MBSP	Brass	210 PSI	4100 (283)	0.3 (0.14 kg)	\$28.35
25153	1/4" MBSP	Brass	580 PSI	4100 (283)	0.3 (0.14 kg)	\$28.35
25171	3/8" MBSP	Brass	210 PSI	4100 (283)	0.3 (0.14 kg)	\$28.35
25172	3/8" MNPT	Brass	360 PSI	4100 (283)	0.3 (0.14 kg)	\$28.35
25173	3/8" MBSP	Brass	580 PSI	4100 (283)	0.3 (0.14 kg)	\$28.35
23174	1/4" MNPT	S. S.	25 PSI	3650 (248)	0.3 (0.14 kg)	\$48.05
23175A-4000	1/4" MNPT	S. S.	580 PSI	3650 (248)	0.6 (0.27 kg)	\$47.70
23176A-4000	3/8" BSP	S. S.	360 PSI	3650 (248)	0.6 (0.27 kg)	\$47.70
23177-4000	3/8" MBSP	S. S.	580 PSI	8700 (600)	0.3 (0.14 kg)	\$125.00

## Accessories

### Injectors

Model Number	Description	Nozzle Size*	Orifice (mm)	List Price U. S. (\$)
25170-1.8	Fixed Injector	9	1.8	\$21.00
25170-1.8A	Adjustable Injector	9	1.8	\$29.00
25170-2.1	Fixed Injector	12	2.1	\$21.00
25170-2.1A	Adjustable Injector	12	2.1	\$29.00
25170-2.3	Fixed Injector	15	2.3	\$21.00
25170-2.3A	Adjustable Injector	15	2.3	\$29.00

Pressure: 4000 PSI (275 bar), Temperature: 194 °F (90 °C),  
Inlet/Outlet 3/8" MNPT, Weight: 0.3 lbs (0.14 kg)

\* Minimum nozzle size required for operation

MADE IN THE USA



**Fixed**



**Adjustable**

### PRESSURE GAUGES

These are Giant Industries' most common sizes of pressure gauges. Additional sizes are available. Contact Giant Industries for more information.

Part Number	Range - PSI (bar)	List Price
<b>Brass, 1/4" Lower</b>		
25000-04-100	0-100 (0-7)	\$111.25
25000-04-1000	0-1000 (0-70)	\$111.25
25000-04-2000	0-2000 (0-138)	\$111.25
25000-04-3000	0-3000 (0-206)	\$111.25
25000-04-4000	0-4000 (0-275)	\$111.25
25000-04-5000	0-5000 (0-345)	\$111.25
25000-04-6000	0-6000 (0-415)	\$111.25
25000-04-15000	0-15000 (0-1034)	\$1,265.00
<b>Brass, 1/4" Back</b>		
25000-04B-1000	0-1000 (0-70)	\$118.05
25000-04B-2000	0-2000 (0-138)	\$118.05
25000-04B-3000	0-3000 (0-206)	\$118.05
25000-04B-4000	0-4000 (0-275)	\$118.05
25000-04B-5000	0-5000 (0-345)	\$118.05
<b>Brass, 1/2" Lower</b>		
25000-08-10000	0-10000 (0-690)	\$500.00
25000-08-15000	0-15000 (0-1034)	\$640.00
25000-08-20000	0-20000 (0-1379)	\$725.00
<b>Stainless Steel, 1/4" Lower</b>		
25000-04-1000SS	0-1000 (0.70)	\$208.10
25000-04-3000SS	0-3000 (0-206)	\$208.10
25000-04-5000SS	0-5000 (0-345)	\$208.10



**25000-04-6000**



**25000-04B-2000**

Other sizes available. Contact Giant Industries for other options.

**Accessories**

**LOVEJOY COUPLER SETS**

**For P400 Pumps (28mm Shaft)**

Part Number	Size	Bore Diameters	Wgt-lbs(kg)	List Price
17270	L110	28mm x 1-3/8"	5.95 (2.7)	\$675.00
17271	L110	28mm x 1-5/8"	5.95 (2.7)	\$665.00
17272	L150	28mm x 1-7/8"	7.9 (3.6)	\$835.00
17279	L099	28mm x 1-1/8"	2.25 (1.0)	\$420.00
17594	L110	28mm x 1-1/8"	2.5 (1.1)	\$700.00

**For P200/P300/P54-P59 Pumps**

Part Number	Size	Bore Diameters	Wgt-lbs(kg)	List Price
17311	L099	24mm x 1"	2.25 (1.0)	\$415.00
17312	L099	24mm x 1-1/8"	2.25 (1.0)	\$415.00
17313	L100	24mm x 1"	2.8 (1.3)	\$495.00
17314	L100	24mm x 1-1/8"	2.8 (1.3)	\$495.00
17315	L100	24mm x 1-3/8"	2.8 (1.3)	\$490.00
17318	L099	24mm x 5/8"	2.8 (1.3)	\$415.00
17319	L099	24mm x 3/4"	2.8 (1.3)	\$415.00
17320	L099	24mm x 7/8"	2.8 (1.3)	\$415.00
17321	L099	24mm x 24mm	2.8 (1.3)	\$415.00
17309	L150	28mm x 5/8"	2.8 (1.3)	\$240.10
17310	L110	28mm x 5/8"	2.8 (1.3)	\$343.20



**Foot Valve  
21515**

Flow GPM (LPM)	Pressure PSI (bar)	Temp F (C)	Weight lbs (kg)	U. S. (\$)
10 (38)	5000 (345)	300 (149)	10.3 (4.7)	\$325.00

Inlet 3/8" FNPT / Outlet 1/4" FNPT Dimensions 7" (w) x 7" (l) x 6" (h)



## PUMP MOUNTING ACCESSORIES

### Electric Bell Housings

Item	Description	List Price (U.S. \$)
01130	Bell Flange for B5 Motor	\$100.00
01155	Bell housing, Fits frame 56 C-Face motors	\$28.40
01156	Mounting flange P55, P56, P59 pumps to 56C frames	\$26.80
05627	Adapting flange to convert 08595 to 256/256TC frames	\$150.00
06495	Motor flange, P200 & P300 to 184TC, 213TC, 215TC frames	\$55.80
06518	Bell housing, MP series to 256TC motors	\$477.90
06578	Bell flange P55, P56, P59 Pumps to 182TC,213TC,215TC frames	\$43.10
08595	Bell flange, P400 Series to 182TC,184TC,213TC,215TC frames	\$140.50
08899	SP/BP100 Bell housing	\$160.00
09161	06495 Bell housing kit and 08428 coupling. Fits 182TC, 184TC, 213TC, 215TC electric motors.	\$180.55
09155	06495 Bell housing kit. Fits 182TC 184TC, 213TC, 215TC electric motors.	\$136.51
09658	Electric motor adapting kit for P400 to 254/256TC	\$311.28
09821	Electric motor adapting kit for P54-P59 to 254/256TC	\$311.28



**Electric**

### Gas Bell Housings

09103 & 01155	Adapts 01155 flange to most Honda and Briggs & Stratton 3.5, 4.0, 5.5, 7 6.5 HP gas engines with a 3.62" bolt circle	\$42.37
06478	Fits gas engines with 6.5" bolt circle (J609B) Fits most Honda and Briggs & Stratton 9HP engines or higher (30° on top & 45° on bottom)	\$85.00



**Gas**

### Gear Boxes

08499A	For P200 & P300 Series pumps - 2.176 : 1 Gear Ratio	\$473.35
08495B	For P54, P58 & P59 Series Pumps - 2.176 : 1 Gear Ratio	\$587.10
08498-1.0	For P400 Series Pumps - 2.176 : 1 Gear Ratio, 1" Bore	\$540.75
08498-1.1	For P400 Series Pumps - 2.176 : 1 Gear Ratio, 1-1/8" Bore	\$540.75
08980-1.0	For P400 Series Pumps - 2.176 : 1 Gear Ratio, 1" Bore	\$580.00
08980-1.1	For P400 Series Pumps - 2.176 : 1 Gear Ratio, 1-1/8" Bore	\$580.00
08981-1.1	For P400 Series Pumps - 2.176 : 1 Gear Ratio, 1-1/8" Bore	\$580.00



**Gearbox**

## DIRECT DRIVE PUMP SELECTION GUIDE

Pump Model(s)	Electric Adapting Kit Options	Gas Engine Adapting Kit Options	Gearbox Adapting Kit Options
P200 Series P300 Series	01130, 01155A, 06495, 09155 or 09161	06478, 09103 & 01155A	08499A
P400	08595	N/A	08498
P54, P58	N/A	N/A	08495
P55,P56, P59	01156, 06578	N/A	08495

# PUMP MOUNTING ACCESSORIES

## Couplings

Item	Description	List Price (U.S. \$)
08485P	Delrin Coupling 1" x 1/4" keyway x 24mm (includes short shaft kit)	\$55.10
08487P	Delrin Coupling 1-1/8" x 1/4" keyway x 24mm (includes short shaft kit)	\$55.10
08489P	Delrin Coupling 1-3/8" x 1/4" keyway x 24mm (includes short shaft kit)	\$55.10
08494P	Delrin Coupling 5/8" x 3/16" keyway x 24mm	\$55.10
08496P	Delrin Coupling 3/4" x 3/16" keyway x 24mm	\$55.10
06505-XX	Aluminum Couplers 24mm x 5/8" to 1-3/8"	\$24.20
04765-1.3	Aluminum Coupler, 18mm x 1-3/8"	\$57.50
04393-XX	Aluminum Coupler, 24mm x 1-1/8" to 1-5/8"	\$57.50
04555-XX	Aluminum Coupler, 28mm x 1-1/8" to 1-5/8"	\$57.50



## Hydraulic Kits\*

HAE17	L-Bracket W/ Mounting Bolts	\$128.65
HK-P2/300	Hydraulic Motor Kit for P200/P300 Series Pumps	\$160.00
HK-P54/59	Hydraulic Motor Kit for P55/P56, P54/P58 & P59 Pumps	\$168.20
HK-P54/59-1	Hydraulic Motor Kit for P54-P59 Pumps with 1/4" Keyway	\$172.85
HK-P400	Hydraulic Motor Kit for P400 Series Pumps w/SAE 2B motor	\$378.25
HKA-P400	Hydraulic Motor Kit Small for P400 Series Pumps w/SAE 2B	\$243.30
HK-P400-SAE-C-4	Hydraulic Motor Kit for P400 Series Pumps w/ SAE C motor	\$725.35
HK-P500-SAE-C-4	Hydraulic Motor Kit for P500 Series Pumps w/ SAE C motor	\$720.00
HK-MP	Hydraulic Motor Kit for MP Pumps to SAE 2B motor	\$535.00
HK-MP-C	Hydraulic Motor Kit for MP Pumps to SAE C motor	\$425.00
HK-LP-SAE-C-4	Hydraulic Motor Kit for LP Pumps to SAE C motor	\$720.00
HK-GP51-SAE-C-4	Hydraulic Motor Kit for GP5100 Pumps to SAE C motor	\$720.00
HK-GP51-SAE-D-4	Hydraulic Motor Kit for GP5100 Pumps to SAE D motor	\$870.00
HK-GP61-SAE-D-4	Hydraulic Motor Kit for GP6100 Pumps to SAE D motor	\$870.00
HK-SP-BP100	Hydraulic Motor Kit for SP/BP100 pump to SAE 2B motor	\$372.45



\*Do not include the hydraulic motor or coupler

## OPTIONAL PUMP CONSTRUCTION CHART

Selected models of Giant pumps are available with optional Materials of construction for special fluid handling. These special construction pumps are identified by a 4-digit suffix following the basic pump model number. The position of the number in the four digit suffix designates the area of the pump that is specially constructed. See the chart and example below.

1= Aluminum Bronze	316 Stainless Steel	Viton	Viton
2= N/A	Super Corrosion Resistant Aluminum Bronze	Teflon	N/A
3= Super Corrosion Resistant	Seawater Resistant Materials Aluminum Bronze	High Temp Seals	EPDM
4= 303 Stainless Steel	S.S. Valve Retainers	Teflon/Nitrile	Kalrez
5= 316 Stainless Steel	Duplex Steel	Rope Packing	Parafloor
6= Duplex Steel	Ceramic	UHMPE	N/A
7= N/A	N/A	N/A	Isolast

For example, a P56-1111= P56 pump with an aluminum bronze manifold, 316 S.S. Internal wet end, viton packing and viton o-rings.

# PULLEY DRIVE PUMPS MOUNTING GUIDE

	P200	P300	P400	P500	P46W	P54 P58 P59	P55 P56	P57	SP100	MP	LP	GP	List Price (US) \$
<b>Bushings</b>													
01056 22 mm Tapered H Bushing								X					\$26.05
01065 18 mm Tapered H Bushing					X								\$26.05
01074 24 mm Tapered H Bushing	X	X				X	X						\$26.50
07175 28 mm Tapered H Bushing			X						X	X			\$22.30
06496 35 mm Q1 Busing											X		\$128.75
<b>Pulley &amp; Sheaves</b>													
01055 9.75" Cast Iron-2 gr.-AB Section			X			X	X	X	X	X			\$298.70
01061 7.75" Cast Iron-1 gr.-AB Section	X	X			X	X	X	X					\$121.35
01062 7.75" Cast Iron-2 gr.-AB Section	X	X	X		X	X	X	X	X	X			\$252.35
01066 18 mm - 8" Steel Pulley-1 gr.					X								\$80.20
07165 12.75" Cast Iron-4 gr.-AB Section										X	X		\$175.10
<b>Rails (set)</b>													
01034 Steel Box Rails (L=9.25"xW=1.18"xH=1.62")	X	X			X	X	X	X					\$160.00
01161 Plated Steel Channel Rails (L=5.75"xW=1.00"xH=2.50")	X	X											\$45.85
01162 Plated Steel Channel Rails (L=5.75"xW=1.00"xH=2.50")	X	X											\$66.75
01075 Plated Steel Channel Rails (L=9.00"xW=2.12"xH=2.50")					X	X	X	X					\$79.75
01163 Retro-Fit Rail (L=12"xW=1.5"xH=3")		X											\$55.00
07357 Plated Steel Channel Rails (L=11.75"xW=1.88"xH=3.00")											X		\$139.80
07358 Plated Steel Channel Rails (L=9.18"xW=1.88"xH=3.00")			X	X				X	X	X			\$70.50
04730 Painted Steel Rails (L="xW="xH=")											X		\$200.00
04730-0400 Stainless Steel Rails (L="xW="xH=")											X		\$756.50
04845 Painted Steel Rails (L="xW="xH=")												X	\$690.00
<b>Bolts</b>													
01067 Mounting Bolts	X	X			X	X	X	X					\$3.92
01175 Mounting Bolts			X						X				\$8.14
07168 Mounting Bolts				X						X	X		\$8.64

## Electric Power Pack by Giant

Standard units use the Giant pump with a TEFC motor. Belts and pulleys convey the motor's energy to the pump while the self-adjusting motor mount provides maximum duty & continuous flow. The Giant Power Pack gives you the flexibility to meet a variety of applications while providing cost effective and time saving source for your high pressure pump needs.

### Specifications

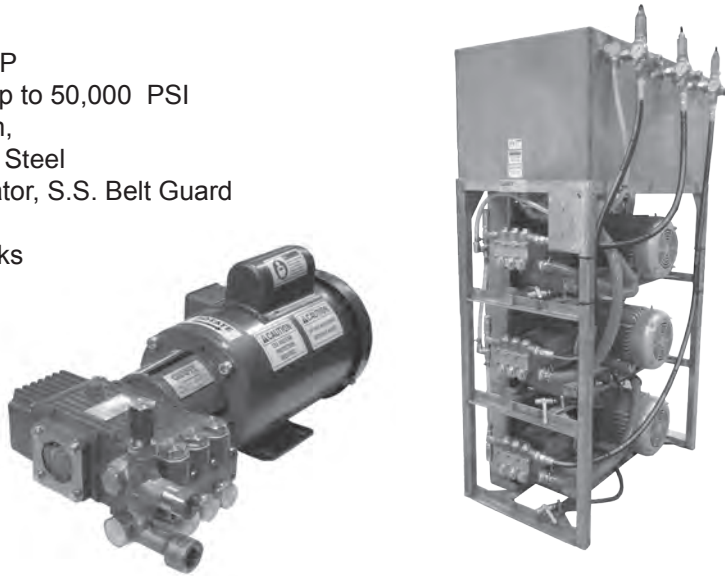
**Motors:** TEFC 0.25HP - 1000 HP

**Pumps:** From 0 - 1500 GPM, Up to 50,000 PSI

**Frame:** Painted Steel, Aluminum, Galvanized, Epoxy and Stainless Steel

**Accessories:** Unloader/Regulator, S.S. Belt Guard Pulleys, V Belts, Bushings

**Availability:** Minimum 1-2 weeks



## Industrial Power Pack by Giant

Giant's rugged Industrial Power Packs have been designed to provide you with the durability you require. Your return on investment comes with each use. Built to your specifications the Industrial Power Pack provides liquid power for every application.

### Specifications

**Drives:** Gasoline, Diesel, Natural Gas, Hydraulic

**Pumps:** From 0 to 50,000 PSI, up to 1000 GPM

**Frame:** Painted Steel, Aluminum, Galvanized, Epoxy, Stainless Steel

**Accessories:** You specify

**Availability:** Minimum 1-2 weeks





## KAMAT PUMPS

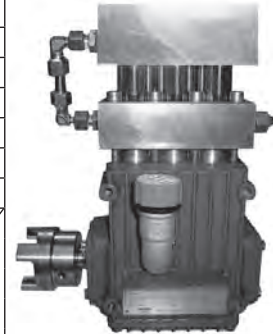
**HIGH PRESSURE TECHNOLOGY - UP TO 1500 GPM - UP TO 50,000 PSI**

\*\* Contact Giant Industries for pricing and / or availability of the Kamat pump series.

### K100A Performance Data

**Common Specifications K100A:**  
Weight: 55 lbs. (25 kg)

Type	Plunger Diameter	Pump Speed	Flow		Power Required at		Power Required at		Power Required at	
					14,500 PSI	1000 bar	21,750 PSI	1500 bar	29,000 PSI	2000 bar
	mm	RPM	GPM	l/min	hp	kW	hp	kW	hp	kW
K 108	8.5 mm	min. 500	0.53	2	5.16	3.85	7.74	5.77	10.31	7.69
		600	0.63	2.4	6.20	4.62	9.28	6.92	12.38	9.23
		700	0.74	2.8	7.22	5.38	10.84	8.08	14.44	10.77
		800	0.85	3.2	8.25	6.15	12.38	9.23	16.51	12.31
		900	0.95	3.6	9.28	6.92	13.92	10.38	18.57	13.85
		max. 1000	1.06	4	10.31	7.69	15.48	11.54	20.12	15.00



Type	Plunger Diameter	Pump Speed	Flow		Power Required at		Power Required at		
					14,500 PSI	1000 bar	17,400 PSI	1200 bar	
	mm	RPM	GPM	l/min	hp	kW	hp	kW	
K 111	11 mm	min. 500	0.9	3.4	8.77	6.54	10.53	7.85	
		600	1.08	4.1	10.57	7.88	12.69	9.46	
		700	1.24	4.7	12.12	9.04	14.55	10.85	
		800	1.43	5.4	13.92	10.38	16.71	12.46	
		900	1.61	6.1	15.73	11.73	18.88	14.08	
		max. 1000	1.8	6.8	17.54	13.08	20.12	15.00	



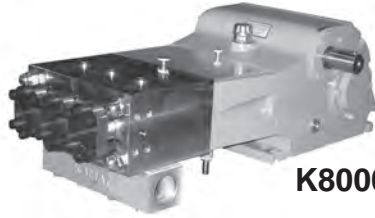
**Common Specifications K4500:**  
Weight: 430 lbs. (195 kg)

### K4500 Performance Data

■ = Ultra High Pressure

Type	Rated Speed 650 RPM		Pressure at specific power inputs								Pump Head Style		
	FLOW		30 Hp	22 kW	40 Hp	30 kW	50 Hp	37 kW	60 Hp	45 kW	A	M	MC
	GPM	L/min	PSI	Bar	PSI	Bar	PSI	Bar	PSI	Bar			
K 4512	2.9	11	14500	1000	20300	1400	24655	1700	30458	2100	1		
K 4514	4.0	15	10875	750	14790	1020	18275	1260	22190	1530	1		
K 4516	5.3	20	8338	575	11310	780	13920	960	16965	1170	1		
K 4518	6.6	25	7033	485	9645	665	11675	805	13630	940	1		H
K 4520	8.2	31	5655	390	7758	535	9570	660	11020	760	1		H
K 4522	9.8	37	4785	330	6525	450	8050	555	9135	630	1		H
K 4524	11.6	44	3988	275	5438	375	6743	465	7687	530	1		H
K 4526	13.7	52	3408	235	4640	320	5729	395	6525	450	1		H
K 4528	15.9	60	2900	200	3988	275	4930	340	5655	390	1		H
K 4530	18.2	69	2538	175	3335	230	4133	285	4930	340	1	1	H
K 4532	20.6	78	2248	155	3045	210	3770	260	4278	295	1	1	1
K 4536	26.2	99	1668	115	2248	155	2828	195	3408	235		1	1
K 4540	32.2	122	1378	95	1813	125	2320	160	2755	190		1	1
K 4545	41.0	155	1088	75	1523	105	1813	125	2175	150			1
K 4550	50.5	191	870	60	1233	85	1523	105	1740	120			1
K 4555	61.3	232	725	50	1015	70	1233	85	1450	100			1

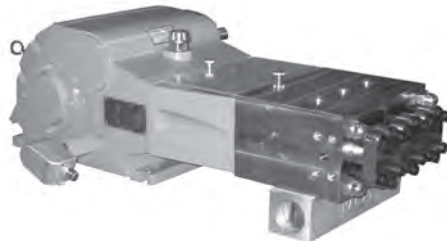
# KAMAT PUMPS



**Common Specifications K8000:**  
 Weight: 551 lbs. (250 kg)  
 Gear Ratios: i=2.75, 3.22 and 3.68

**K8000 Performance Data**  = Ultra High Pressure

Type	Rated Speed 530 RPM		Pressure at specific power inputs								Pump Head Style		
	FLOW		60 Hp	45 kW	74 Hp	55 kW	80 Hp	60 kW	100 Hp	75 kW	A	M	MC
	GPM	L/min	PSI	Bar	PSI	Bar	PSI	Bar	PSI	Bar			
K 8012	3.4	13	25670	1770	31328	2160	34229	2360	42785	2950	1		
K 8014	4.8	18	18565	1280	23061	1590	25092	1730	31183	2150	1		
K 8016	6.3	24	14214	980	17695	1220	19290	1330	24075	1660	1		
K 8018	7.9	30	11603	800	13993	965	15225	1050	18855	1300	1		
K 8020	9.8	37	9570	660	11600	800	12615	870	15443	1065	1		H
K 8022	11.9	45	7903	545	9645	665	10515	725	12905	890	1		H
K 8024	14.3	54	6670	460	8050	555	8775	605	10950	755	1		H
K 8026	16.6	63	5655	390	6888	475	7470	515	9353	645	1		H
K 8028	19.3	73	4858	335	5945	410	6453	445	8050	555	1		H
K 8030	22.2	84	4060	280	5003	345	5438	375	6815	470	1	1	H
K 8032	25.4	96	3553	245	4350	300	4785	330	5945	410	1	1	1
K 8036	32.0	121	2755	190	3408	235	3698	255	4640	320		1	1
K 8040	39.6	150	2248	155	2755	190	2973	205	3698	255		1	1
K 8045	50.2	190	1740	120	2175	150	2320	160	2900	200			1
K 8050	61.8	234	1450	100	1740	120	1885	130	2393	165			1
K 8055	74.8	283	1160	80	1450	100	1595	110	1958	135			1



**Common Specifications K9000:**  
 Weight: 562 lbs. (255 kg)  
 Gear Ratios: i=2.75, 3.22 and 3.68

**K9000 Performance Data**  = Ultra High Pressure

Type	Rated Speed 530 RPM		Pressure at specific power inputs								Pump Head Style		
	FLOW		60 Hp	45 kW	74 Hp	55 kW	100 Hp	75 kW	121 Hp	90 kW	A	M	MC
	GPM	L/min	PSI	Bar	HP	kW	HP	kW	HP	kW			
K 9012	3.4	13	25670	1770	31328	2160	42785	2950	44962	3100	1		
K 9014	4.8	18	18565	1280	23061	1590	31183	2150	33359	2300	1		
K 9016	6.3	24	14214	980	17695	1220	24075	1660	26106	1800	1		
K 9018	7.9	30	11603	800	13993	965	18855	1300	20233	1395	1		
K 9020	9.8	37	9570	660	11600	800	15443	1065	16390	1130	1		
K 9022	11.9	45	7903	545	9645	665	12905	890	13489	930	1		H
K 9024	14.3	54	6670	460	8050	555	10950	755	11385	785	1		H
K 9026	16.6	63	5655	390	6888	475	9353	645	9645	665	1		H
K 9028	19.3	73	4858	335	5945	410	8050	555	8340	575	1		H
K 9030	22.2	84	4060	280	5003	345	6815	470	7250	500	1	1	H
K 9032	25.4	96	3553	245	4350	300	5945	410	6380	440	1	1	1
K 9036	32.0	121	2755	190	3408	235	4640	320	5003	345		1	1
K 9040	39.6	150	2248	155	2755	190	3698	255	4060	280		1	1
K 9045	50.2	190	1740	120	2175	150	2900	200	3190	220			1
K 9050	61.8	234	1450	100	1740	120	2393	165	2610	180			1
K 9055	74.8	283	1160	80	1450	100	1958	135	2175	150			1

# KAMAT PUMPS



**Common Specifications K10000-3G:**  
 Weight: 970 lbs. (440 kg)  
 Gear Ratios: i=3.00, 3.14, 3.39, 3.76, 4.13, 4.50 and 4.93

## K10000-3G Performance Data   = Ultra High Pressure

Type	Rated Speed 475 RPM		Pressure at specific power inputs								Pump Head Style		
	FLOW		101 Hp	75 kW	121 Hp	90 kW	147 Hp	110 kW	174 Hp	130 kW	A	M	MC
	GPM	L/min	PSI	Bar	PSI	Bar	PSI	Bar	PSI	Bar			
K 10012-3G	4.0	15	37710	2600	45251	3120	50763	3500	-	-	1		
K 10014-3G	5.6	21	27557	1900	32923	2270	40320	2780	47862	3300	1		
K 10016-3G	7.1	27	21320	1470	25671	1770	31328	2160	36259	2500	1		
K 10018-3G	9.0	34	16970	1170	20377	1405	24873	1715	29732	2050	1		
K 10020-3G	11.4	43	13416	925	16099	1110	19725	1360	23641	1630	1		
K 10022-3G	13.5	51	11240	775	13561	935	16534	1140	19870	1370	1		
K 10024-3G	16.1	61	9425	650	11310	780	13851	955	16679	1150	1		
K 10026-3G	19.0	72	7975	550	9643	665	11745	810	14141	975	1		H
K 10028-3G	21.9	83	6960	480	8338	575	10150	700	12255	845	1		H
K 10030-3G	25.4	96	6018	415	7250	500	8773	605	10585	730	1		H
K 10032-3G	28.8	109	5293	365	6380	440	7758	535	9353	645	1		H
K 10036-3G	36.5	138	4205	290	5003	345	6090	420	7395	510	1	1	H
K 10040-3G	44.9	170	3408	235	4060	280	5003	345	6018	415		1	1
K 10045-3G	56.8	215	2683	185	3190	220	3915	270	4785	330		1	1
K 10050-3G	70.3	266	2175	150	2610	180	3190	220	3843	265		1	1
K 10055-3G	84.8	321	1813	125	2175	150	2610	180	3190	220		1	1
K 10060-3G	101.2	383	1523	105	1813	125	2175	150	2683	185		1	1
K 10065-3G	118.6	449	1305	90	1523	105	1885	130	2320	160			1



**Common Specifications K11000-3G:**  
 Weight: 937 lbs. (425 kg)  
 Gear Ratios: i=3.00, 3.14, 3.39, 3.76, 4.13, 4.50 and 4.93

## K11000-3G Performance Data   = Ultra High Pressure

Type	Rated Speed 435 RPM		Pressure at specific power inputs								Pump Head Style		
	FLOW		80 Hp	60 kW	101 Hp	75 kW	121 Hp	90 kW	147 Hp	110 kW	A	M	MC
	GPM	L/min	PSI	Bar	PSI	Bar	PSI	Bar	PSI	Bar			
K 11014 - 3G	5.6	21	21755	1500	27267	1880	32778	2260	40030	2760	1		
K 11016 - 3G	7.4	28	16680	1150	20885	1440	25091	1730	30748	2120	1		
K 11018 - 3G	9.3	35	13195	910	16313	1125	19436	1340	21755	1670	1		
K 11020 - 3G	11.4	43	11020	760	13340	920	15954	1100	18927	1305	2		
K 11022 - 3G	13.7	52	9063	625	11240	775	13340	920	15591	1075	2		H
K 11024 - 3G	16.4	62	7613	525	9500	655	11458	790	13125	905	2		H
K 11026 - 3G	19.3	73	6453	445	8120	560	9715	670	11165	770	2		H
K 11028 - 3G	22.2	84	5655	390	7033	485	8410	580	9645	665	2		H
K 11030 - 3G	25.6	97	4858	335	6090	420	7323	505	8410	580	2		H
K 11032 - 3G	29.1	110	4278	295	5365	370	6453	445	7323	505	2		H
K 11036 - 3G	36.7	139	3263	225	4133	285	4930	340	5800	400	2	1	H
K 11040 - 3G	45.4	172	2610	180	3263	225	3915	270	4713	325		1	1
K 11045 - 3G	57.6	218	2030	140	2538	175	3045	210	3698	255		1	1
K 11050 - 3G	71.1	269	1668	115	2103	145	2465	170	2973	205		1	1
K 11055 - 3G	86.1	326	1378	95	1740	120	2030	140	2465	170		1	1
K 11060 - 3G	102.2	387	1160	80	1450	100	1740	120	2103	145		1	1
K 11065 - 3G	119.9	454	1015	70	1233	85	1523	105	1813	125			1

# KAMAT PUMPS



### Common Specifications K13000-3G:

Weight: 970 lbs. (440 kg)  
 Gear Ratios:  $i=3.00, 3.14, 3.39, 3.76, 4.13, 4.50$  and  $4.93$

### K13000-3G Performance Data   = Ultra High Pressure

Type	Rated Speed 475 RPM		Pressure at specific power inputs								Pump Head Style		
	FLOW		101 Hp	75 kW	121 Hp	90 kW	147 Hp	110 kW	174 Hp	130 kW	A	M	MC
	GPM	L/min	PSI	Bar	PSI	Bar	PSI	Bar	PSI	Bar			
K 13014-3G	6.1	23	24946	1720	30022	2070	36840	2540	43511	3000	1		
K 13016-3G	7.9	30	19145	1320	23061	1590	28137	1940	33359	2300	1		
K 13018-3G	10.0	38	15011	1035	17912	1235	24076	1660	26251	1810	1		
K 13020-3G	12.4	47	12325	850	14645	1010	17695	1220	20740	1430	2		
K 13022-3G	15.1	57	10370	715	12255	845	14721	1015	17115	1180	2		
K 13024-3G	18.0	68	8700	600	10440	720	12470	860	14431	995	2		H
K 13026-3G	20.9	79	7468	515	8990	620	11020	760	12255	845	2		H
K 13028-3G	24.3	92	6453	445	7685	530	9500	655	10585	730	2		H
K 13030-3G	28.0	106	5655	390	6670	460	8193	565	9210	635	2		H
K 13032-3G	31.7	120	4930	340	5945	410	7250	500	8120	560	2		H
K 13036-3G	40.2	152	3770	260	4495	310	5510	380	6380	440	2	1	H
K 13040-3G	49.7	188	2973	205	3553	245	4350	300	5148	355		1	1
K 13045-3G	62.9	238	2320	160	2828	195	3408	235	4060	280		1	1
K 13050-3G	77.7	294	1885	130	2248	155	2755	190	3263	225		1	1
K 13055-3G	93.8	355	1595	110	1885	130	2320	160	2683	185		1	1
K 13060-3G	111.8	423	1378	95	1595	110	1958	135	2248	155		1	1
K 13065-3G	131.0	496	1160	80	1378	95	1668	115	1958	135			1



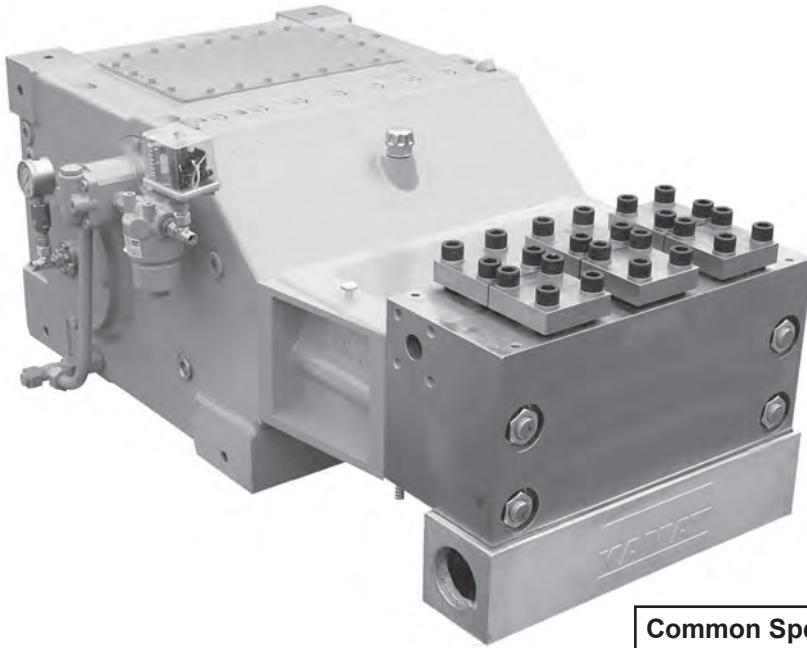
### Common Specifications K18000-3G:

Weight: 970 lbs. (440 kg)  
 Gear Ratios:  $i=3.00, 3.14, 3.39, 3.76, 4.13, 4.50$  and  $4.93$

### K18000-3G Performance Data   = Ultra High Pressure

Type	Rated Speed 500 RPM		Pressure at specific power inputs								Pump Head Style		
	FLOW		147 Hp	110 kW	174 Hp	130 kW	215 Hp	160 kW	241 Hp	180 kW	A	M	MC
	GPM	L/min	PSI	Bar	PSI	Bar	PSI	Bar	PSI	Bar			
K 18014-3G	6.3	24	34809	2400	41915	2890	50763	3500	--	--	1		
K 18016-3G	8.5	32	26687	1840	32053	2210	38870	2680	43656	3010	1		
K 18018-3G	10.6	40	21175	1460	25237	1740	30748	2120	34229	2360	1		
K 18020-3G	12.9	49	17260	1190	20595	1420	24873	1715	27702	1910	1		
K 18022-3G	15.9	60	14069	970	16970	1170	20595	1420	21755	1500	2		
K 18024-3G	18.8	71	11890	820	14214	980	17260	1190	19217	1325	2		
K 18026-3G	22.2	84	10005	690	12180	840	14794	1020	16389	1130	2		
K 18028-3G	25.6	97	8700	600	10440	720	12690	875	14141	975	2		H
K 18030-3G	29.3	111	7613	525	9135	630	11020	760	12325	850	2		H
K 18032-3G	33.6	127	6670	460	8050	555	9715	670	10875	750	2		H
K 18036-3G	42.3	160	5293	365	6308	435	7685	530	8555	590	2	1	H
K 18040-3G	52.3	198	4278	295	5148	355	6235	430	6888	475		1	1
K 18045-3G	66.1	250	3335	230	4060	280	4930	340	5438	375		1	1
K 18050-3G	81.6	309	2755	190	3263	225	3988	275	4423	305		1	1
K 18055-3G	98.8	374	2248	155	2755	190	3335	230	3625	250		1	1
K 18060-3G	117.6	445	1885	130	2320	160	2755	190	3045	210		1	1
K 18065-3G	137.9	522	1595	110	1958	135	2320	160	2610	180			1

## KAMAT PUMPS

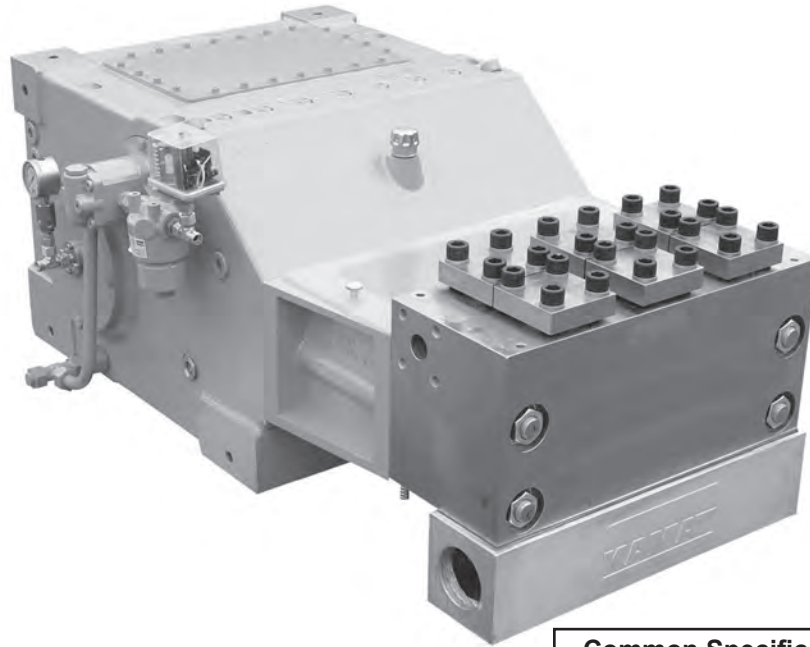


**Common Specifications K20000-3G:**  
 Weight: 2072 lbs. (940 kg)  
 Gear Ratios: i=3.33, 3.50, 4.04, 4.62,  
 and 5.44

### K20000-3G Performance Data   = Ultra High Pressure

Rated Speed 375 RPM			Pressure at specific power inputs								Pump Head Style		
Type	FLOW		147 Hp	110 kW	177 Hp	132 kW	214 Hp	160 kW	268 Hp	200 kW	A	M	MC
	GPM	L/min	PSI	Bar	Hp	kW	Hp	kW	Hp	kW			
K 20018-3G	9.0	34	24656	1700	29588	2040	35824	2470	40610	2800	1		
K 20020-3G	11.1	42	19943	1375	23931	1650	29007	2000	36260	2500	1		
K 20022-3G	13.5	51	16244	1120	19580	1350	23641	1630	29008	2000	1		
K 20024-3G	16.1	61	13630	940	16317	1125	19725	1360	24656	1700	1		
K 20026-3G	19.0	72	11890	820	13993	965	16825	1160	20450	1410	1		
K 20028-3G	21.9	83	10440	720	12400	855	14718	1015	17622	1215	1		
K 20030-3G	25.1	95	9135	630	10950	755	13050	900	15370	1060	1		H
K 20032-3G	28.8	109	8050	555	9570	660	11600	800	13485	930	1		H
K 20036-3G	36.2	137	6308	435	7613	525	9210	635	10658	735	1		H
K 20040-3G	44.9	170	5148	355	6090	420	7395	510	8628	595	1		H
K 20045-3G	56.8	215	3915	270	4713	325	5655	390	6815	470	1	1	H
K 20050-3G	70.0	265	3045	210	3698	255	4495	310	5510	380	1	1	H
K 20055-3G	84.8	321	2538	175	3045	210	3698	255	4568	315		1	1
K 20060-3G	100.9	382	2175	150	2610	180	3118	215	3843	265		1	1
K 20065-3G	118.4	448	1813	125	2175	150	2683	185	3263	225		1	1
K 20070-3G	137.1	519	1595	110	1885	130	2320	160	2828	195			1
K 20075-3G	157.5	596	1378	95	1668	115	2030	140	2465	170			1
K 20080-3G	179.1	678	1233	85	1450	100	1740	120	2175	150			1
K 20085-3G	202.4	766	1088	75	1305	90	1523	105	1885	130			1
K 20090-3G	226.7	858	943	65	1160	80	1450	100	1740	120			1
K 20095-3G	252.8	957	870	60	1088	75	1305	90	1523	105			1

# KAMAT PUMPS

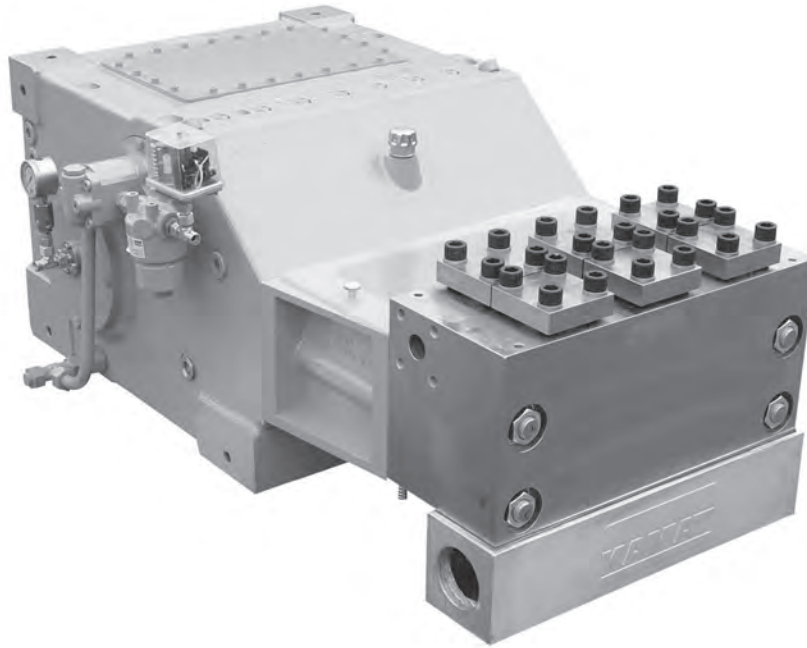


**Common Specifications K25000-3G:**  
 Weight: 2105 lbs. (955 kg)  
 Gear Ratios: i=3.33, 3.50, 4.04,  
 4.62 and 5.44

## K25000-3G Performance Data = Ultra High Pressure

Type	Rated Speed 450 RPM		Pressure at specific power inputs								Pump Head Style		
	FLOW		177	132	214	160	268	200	335	250	A	M	MC
	GPM	L/min	Hp	kW	Hp	kW	Hp	kW	Hp	kW			
K 25018-3G	10.8	41	24656	1700	29878	2060	37275	2570	46412	3200	1		
K 25020-3G	13.5	51	19870	1370	24221	1670	30168	2080	36260	2500	1		
K 25022-3G	16.4	62	16461	1135	20015	1380	24947	1720	30893	2130	1		
K 25024-3G	19.3	73	13851	955	16825	1160	21030	1450	26107	1800	1		
K 25026-3G	22.7	86	11820	815	14355	990	17912	1235	22335	1500	1		
K 25028-3G	26.4	100	10150	700	12325	850	15374	1060	19073	1315	1		
K 25030-3G	30.1	114	8845	610	10730	740	13416	925	16607	1145	1		
K 25032-3G	34.3	130	7760	535	9425	650	11820	815	14649	1010	1		H
K 25036-3G	43.6	165	6163	425	7468	515	9353	645	11600	800	1		H
K 25040-3G	53.6	203	5003	345	6018	415	7540	520	9353	645	1		H
K 25045-3G	68.2	258	3915	270	4785	330	5945	410	7395	510	1	1	H
K 25050-3G	84.0	318	3190	220	3843	265	4858	335	6018	415	1	1	H
K 25055-3G	101.7	385	2610	180	3190	220	3988	275	4930	340		1	1
K 25060-3G	121.0	458	2248	155	2683	185	3335	230	4133	285		1	1
K 25065-3G	141.9	537	1885	130	2320	160	2900	200	3553	245		1	1
K 25070-3G	164.6	623	1595	110	1958	135	2465	170	3045	210			1
K 25075-3G	188.9	715	1450	100	1740	120	2175	150	2683	185			1
K 25080-3G	215.0	814	1233	85	1450	100	1885	130	2320	160			1
K 25085-3G	242.8	919	1088	75	1305	90	1668	115	2103	145			1
K 25090-3G	272.1	1030	943	65	1160	80	1450	100	1813	125			1
K 25095-3G	303.3	1148	870	60	1088	75	1305	90	1668	115			1

## KAMAT PUMPS

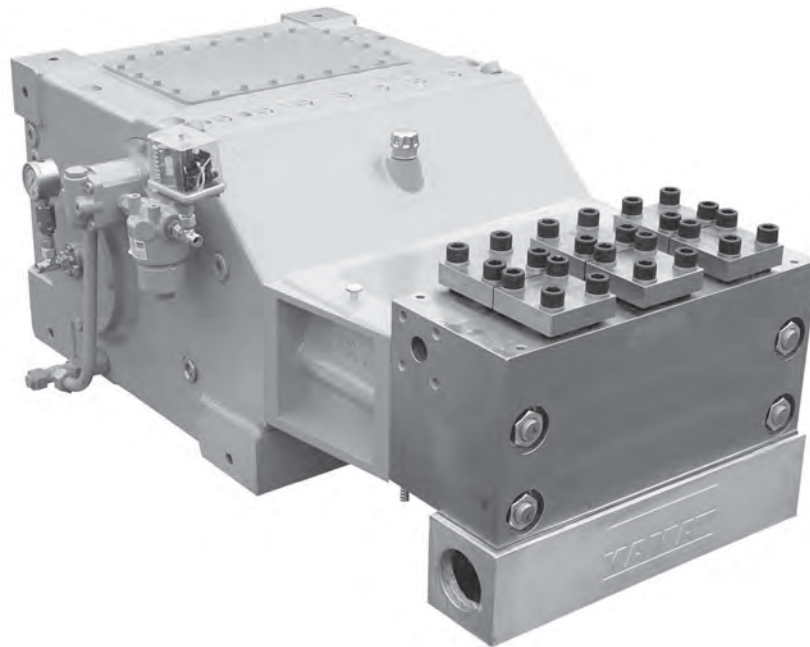


**Common Specifications K35000-3G:**  
 Weight: 2997 lbs. (1360 kg)  
 Gear Ratios: i=3.39, 4.05, 4.76 and 5.25

### K35000-3G Performance Data   = Ultra High Pressure

Type	Rated Speed 440 RPM		Pressure at specific power inputs								Pump Head Style		
	FLOW		375 Hp	280 kW	422 Hp	315 kW	443 Hp	330 kW	469 Hp	350 kW	A	M	MC
	GPM	L/min	PSI	Bar	Hp	kW	Hp	kW	Hp	kW			
K 35018 - 3G	12.4	47	44962	3100	50763	3500	-	-	-	-	1		
K 35020 - 3G	15.3	58	36260	2500	40610	2800	42786	2950	45687	3150	1		
K 35022 - 3G	18.5	70	30095	2075	33866	2335	35389	2440	36260	2500	1		
K 35024 - 3G	21.9	83	25382	1750	28275	1950	29732	2050	31908	2200	1		
K 35026 - 3G	25.9	98	21466	1480	24221	1670	25382	1750	27267	1880	1		
K 35028 - 3G	30.1	114	18565	1280	20885	1440	22335	1540	23496	1620	1		
K 35030 - 3G	34.6	131	16679	1150	18855	1300	19580	1350	20885	1440	1		
K 35032 - 3G	39.4	149	14794	1020	16679	1150	17405	1200	18347	1265	1		
K 35036 - 3G	49.7	188	11820	815	13125	905	13777	950	14504	1000	1		H
K 35040 - 3G	61.3	232	9645	665	10950	755	11313	780	11748	810	1		H
K 35045 - 3G	77.7	294	7613	525	8630	595	9063	625	9280	640	1		H
K 35050 - 3G	95.9	363	5873	405	6598	455	6960	480	7323	505	1	1	H
K 35055 - 3G	116.0	439	4858	335	5438	375	5728	395	6090	420		1	1
K 35060 - 3G	138.2	523	4060	280	4568	315	4785	330	5075	350		1	1
K 35065 - 3G	162.0	613	3480	240	3915	270	4133	285	4350	300		1	1
K 35070 - 3G	187.8	711	2973	205	3335	230	3553	245	3770	260		1	1
K 35075 - 3G	215.6	816	2610	180	2900	200	3045	210	3263	225			1
K 35080 - 3G	245.2	928	2320	160	2610	180	2683	185	2828	195			1
K 35085 - 3G	277.1	1049	2030	140	2320	160	2393	165	2538	175			1
K 35090 - 3G	310.4	1175	1813	125	2030	140	2175	150	2248	155			1
K 35095 - 3G	346.1	1310	1595	110	1813	125	1885	130	2030	140			1

# KAMAT PUMPS



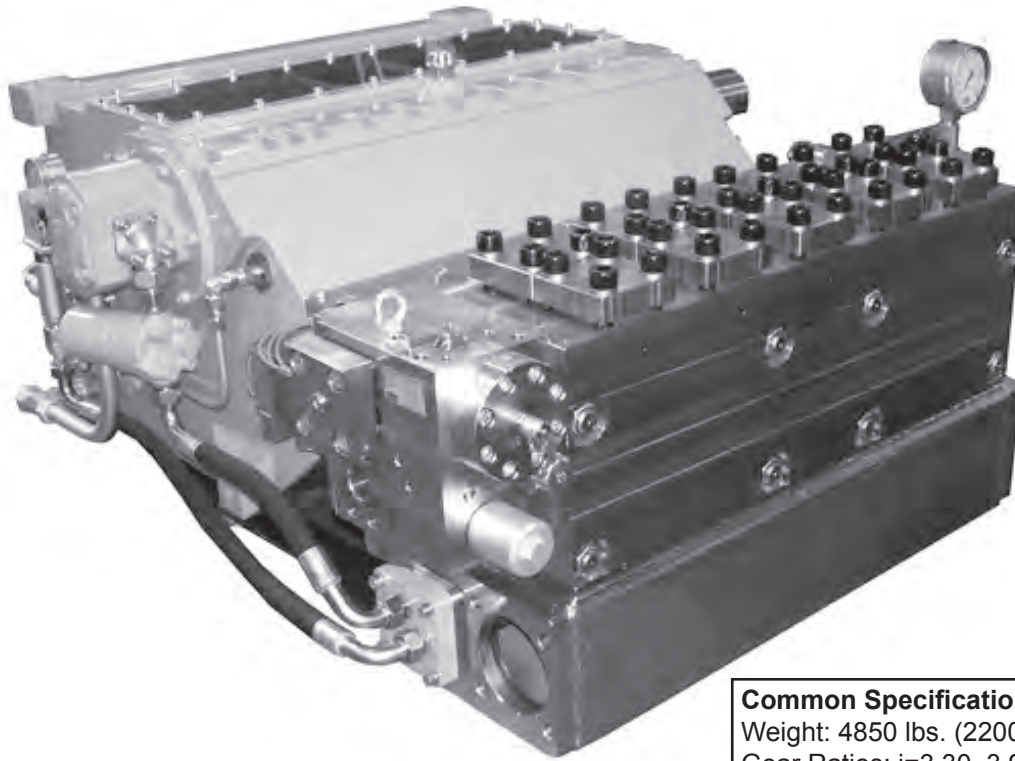
**Common Specifications K40000-3G:**  
 Weight: 2997 lbs. (1360 kg)  
 Gear Ratios: i=3.39, 4.05, 4.76 and 5.25

## K40000-3G Performance Data = Ultra High Pressure

Rated Speed 440 RPM			Pressure at specific power inputs								Pump Head Style		
Type	FLOW		422 Hp	315 kW	442 Hp	330 kW	469 Hp	350 kW	536 Hp	400 kW	A	M	MC
	GPM	L/min	PSI	Bar	PSI	Bar	PSI	Bar	PSI	Bar			
K 40020-3G	15.3	58	33067	2280	41625	2870	46992	3240	50763	3500	1		
K 40022-3G	18.5	70	29733	2050	34519	2380	38870	2680	43511	3000	1		
K 40024-3G	21.9	83	28427	1960	29008	2000	31908	2200	36259	2500	1		
K 40026-3G	25.9	98	24221	1670	25382	1750	27557	1900	29007	2000	1		
K 40028-3G	30.1	114	20885	1440	21901	1510	23496	1620	26397	1820	1		
K 40030-3G	34.6	131	18855	1300	19580	1350	20885	1440	23061	1590	1		
K 40032-3G	39.4	149	16679	1150	17405	1200	18347	1265	20305	1400	1		
K 40036-3G	49.7	188	13126	905	13779	950	14504	1000	15954	1100	1		
K 40040-3G	61.3	232	10950	755	11313	780	11748	810	13053	900	1		H
K 40045-3G	77.7	294	8630	595	9065	625	9280	640	10225	705	1		H
K 40050-3G	95.9	363	6598	455	6960	480	7323	505	8120	560	1	1	H
K 40055-3G	116.0	439	5438	375	5728	395	6090	420	6743	465		1	1
K 40060-3G	138.2	523	4568	315	4785	330	5075	350	5655	390		1	1
K 40065-3G	162.0	613	3915	270	4133	285	4350	300	4785	330		1	1
K 40070-3G	187.8	711	3335	230	3553	245	3770	260	4133	285		1	1
K 40075-3G	215.6	816	2900	200	3045	210	3263	225	3625	250			1
K 40080-3G	245.2	928	2610	180	2683	185	2828	195	3263	225			1
K 40085-3G	277.1	1049	2320	160	2393	165	2538	175	2828	195			1
K 40090-3G	310.4	1175	2030	140	2176	150	2248	155	2538	175			1
K 40095-3G	346.1	1310	1813	125	1885	130	2030	140	2248	155			1



## KAMAT PUMPS

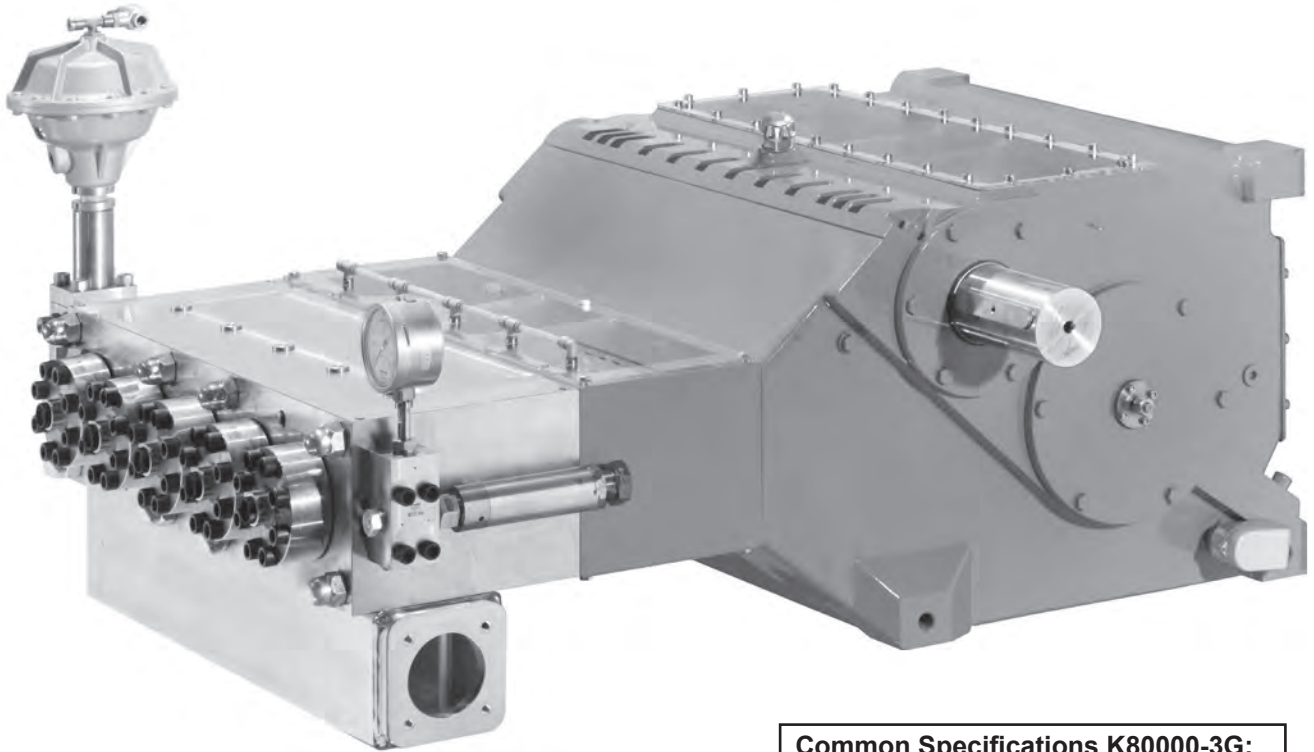


**Common Specifications K50000-5G:**  
 Weight: 4850 lbs. (2200 kg)  
 Gear Ratios: i=3.30, 3.95, 4.66 and 5.63

### K50000-5G Performance Data   = Ultra High Pressure

Rated Speed 450 RPM			Pressure at specific power inputs								Pump Head Style		
Type	FLOW		422 Hp	315 kW	476 Hp	355 kW	536 Hp	400 kW	710 Hp	530 kW	A	M	MC
	GPM	L/min	PSI	Bar	Hp	kW	Hp	kW	Hp	kW			
K 50018 - 5G	18.2	69	35235	2430	39740	2740	44744	3085	50763	3500	1		
K 50020 - 5G	22.5	85	28500	1965	32198	2220	36250	2500	47065	3245	1		
K 50022 - 5G	27.2	103	23569	1625	26542	1830	29950	2065	38943	2685	1		
K 50024 - 5G	32.2	122	19798	1365	22335	1540	25164	1735	32706	2255	1		
K 50026 - 5G	37.8	143	16897	1165	19000	1310	21466	1480	27847	1920	1		
K 50028 - 5G	43.9	166	14576	1005	16389	1130	18492	1275	24004	1655	1		
K 50030 - 5G	50.5	191	12691	875	14286	985	16099	1110	20958	1445	2		
K 50032 - 5G	57.3	217	11095	765	12545	865	14141	975	18420	1270	2		
K 50036 - 5G	72.7	275	8773	605	9935	685	11168	770	14504	1000	2		H
K 50040 - 5G	89.6	339	7105	490	8050	555	9063	625	11748	810	2		H
K 50045 - 5G	113.3	429	5583	385	6308	435	7105	490	9280	640	2		H
K 50050 -5G	140.0	530	4568	315	5148	355	5800	400	7540	520	2	1	H
K 50055 -5G	169.3	641	3770	260	4205	290	4785	330	6235	430		1	1
K 50060 -5G	201.6	763	3118	215	3553	245	3988	275	5220	360		1	1
K 50065 -5G	236.4	895	2683	185	3045	210	3408	235	4423	305		1	1
K 50070 -5G	274.5	1039	2320	160	2610	180	2900	200	3843	265			1
K 50075 -5G	314.9	1192	2030	140	2248	155	2538	175	3335	230			2
K 50080 -5G	358.2	1356	1740	120	1958	135	2248	155	2900	200			2
K 50085 -5G	404.5	1531	1523	105	1740	120	1958	135	2610	180			2
K 50090 -5G	453.6	1717	1378	95	1595	110	1740	120	2320	160			2
K 50095 -5G	505.4	1913	1233	85	1450	100	1595	110	2103	145			2

# KAMAT PUMPS



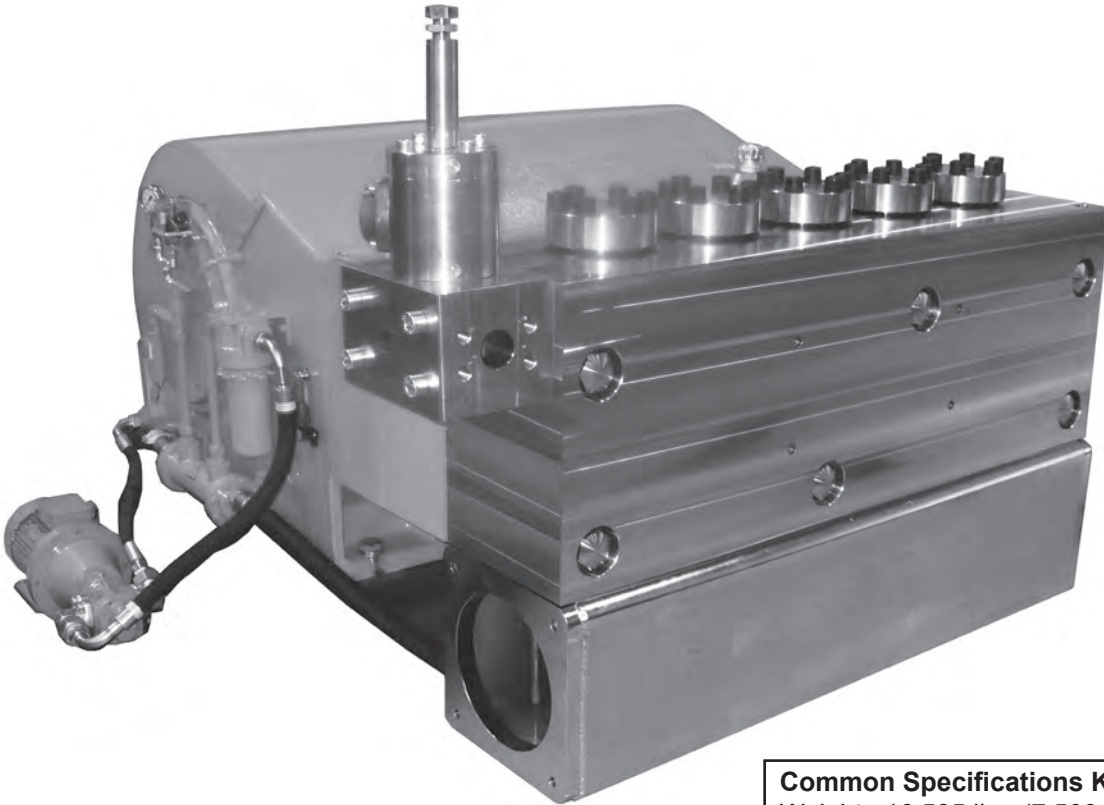
### Common Specifications K80000-3G:

Weight: 8046 lbs. (3650 kg)  
 Gear Ratios: i=3.40, 4.10, 4.69, 5.19  
 and 6.03

### K80000-5G Performance Data   = Ultra High Pressure

Rated Speed 440 RPM		Pressure at specific power inputs									Pump Head Style		
Type	FLOW		536 Hp	400 kW	670 Hp	500 kW	845 Hp	630 kW	1072 Hp	800 kW	A	M	MC1
	GPM	L/min	PSI	Bar	PSI	Bar	PSI	Bar	PSI	Bar			
K 80022 - 5G	30.9	117	25744	1775	32198	2220	40610	2800	50763	3500	1		
K 80024 - 5G	36.7	139	21610	1490	27050	1865	34084	2350	43221	2980	1		
K 80026 - 5G	43.1	163	18420	1270	23061	1590	29008	2000	36912	2545	1		
K 80028 - 5G	50.2	190	15882	1095	19870	1370	25019	1725	31763	2190	1		
K 80032 - 5G	65.5	248	12183	840	15229	1050	19145	1320	24294	1675	1		
K 80036 - 5G	82.7	313	9573	660	12038	830	15156	1045	19218	1325	2		
K 80040 - 5G	102.2	387	7760	535	9718	670	12256	845	15592	1075	2		H
K 80045 - 5G	129.5	490	6163	425	7687	530	9645	665	12255	845	2		H
K 80050 - 5G	159.6	604	4930	340	6237	430	7832	540	9935	685	2		H
K 80055 - 5G	193.1	731	4060	280	5148	355	6453	445	8195	565		1	H
K 80060 - 5G	229.9	870	3408	235	4278	295	5438	375	6888	475		1	H
K 80065 - 5G	270.0	1022	2973	205	3698	255	4640	320	5873	405		1	1
K 80070 - 5G	313.1	1185	2538	175	3118	215	3988	275	5075	350		1	1
K 80075 - 5G	359.3	1360	2175	150	2755	190	3480	240	4423	305			1
K 80080 - 5G	408.7	1547	1886	130	2393	165	3046	210	3844	265			1
K 80085 - 5G	461.6	1747	1668	115	2103	145	2683	185	3408	235			1
K 80090 - 5G	517.3	1958	1450	100	1886	130	2393	165	3046	210			1
K 80095 - 5G	576.5	2182	1378	95	1668	115	2175	150	2755	190			1
K 80100 - 5G	638.5	2417	1305	90	1595	110	1958	135	2538	175			2
K 80110 - 5G	772.7	2925	1015	70	1305	90	1595	110	2103	145			2
K 80120 - 5G	919.9	3482	870	60	1088	75	1233	85	1813	125			2

## KAMAT PUMPS



**Common Specifications K120000-3G:**  
Weight: 16,535 lbs. (7,500 kg)

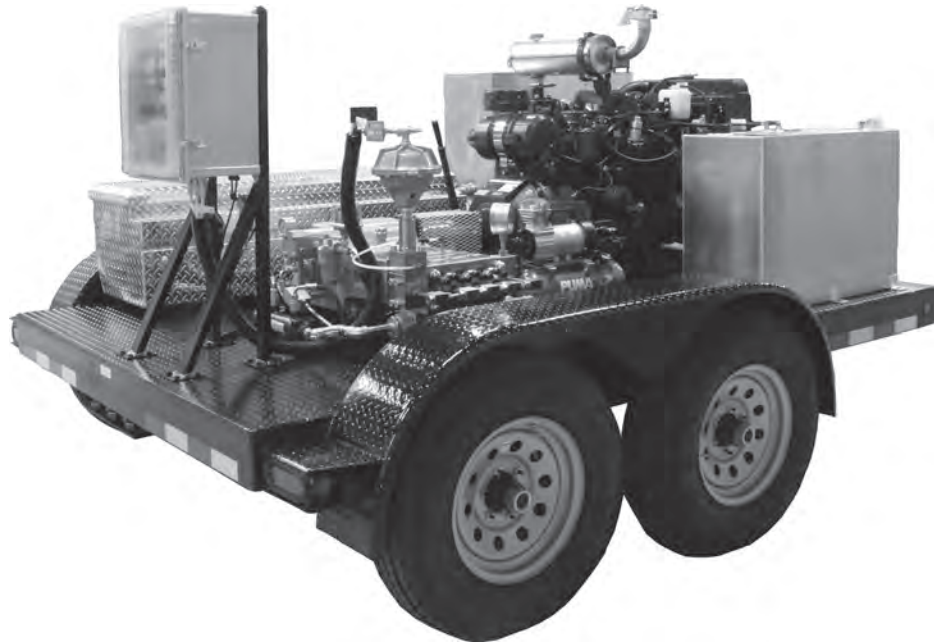
### K120000-5G Performance Data   = Ultra High Pressure

Rated Speed 320 RPM			Pressure at specific power inputs								Pump Head Style	
Type	FLOW		1206 Hp	900 kW	1340 Hp	1000 kW	1475 Hp	1100 kW	1609 Hp	1200 kW	A	MC(H)
	GPM	L/min	PSI	Bar	PSI	Bar	PSI	Bar	PSI	Bar		
K 120028 - 5G	41.7	158	43076	2970	47863	3300	50763	3500	-	-	X	
K 120030 - 5G	47.8	181	37492	2585	41698	2875	45832	3160	50038	3450	X	
K 120032 - 5G	54.4	206	32996	2275	36622	2525	40321	2780	43946	3030	X	
K 120036 - 5G	68.7	260	26107	1800	29008	2000	31908	2200	34809	2400	X	
K 120040 - 5G	85.1	322	21103	1455	24004	1655	25817	1780	28137	1940	X	
K 120045 - 5G	107.5	407	16679	1150	18565	1280	20378	1405	22191	1530	X	
K 120050 - 5G	132.6	502	13489	930	15011	1035	16534	1140	17985	1240	X	
K 120055 - 5G	160.6	608	11168	770	12401	855	13634	940	14866	1025	X	X
K 120060 - 5G	171.0	723	9355	645	10443	720	11458	790	12473	860	X	X
K 120065 - 5G	224.3	849	7977	550	8847	610	9790	675	10660	735	X	X
K 120070 - 5G	260.2	985	6889	475	7687	530	7687	580	9210	635	X	X
K 120075 - 5G	298.5	1130	6019	415	6672	460	7324	505	7977	550	X	X
K 120080 - 5G	339.7	1286	5294	365	5874	405	6454	445	7034	485		X
K 120085 - 5G	383.6	1452	4641	320	5221	360	5729	395	6237	430		X
K 120090 - 5G	430.1	1628	4206	290	4641	320	5076	350	5584	385		X
K 120095 - 5G	478.9	1813	3771	260	4134	285	4569	315	5004	345		X
K 120100 - 5G	531.0	2010	3408	235	3771	260	4134	285	4496	310		X
K 120110 - 5G	642.5	2432	2756	190	3118	215	3408	235	3699	255		X
K 120120 - 5G	764.5	2894	2321	160	2611	180	2901	200	3118	215		X
K 120130 - 5G	896.9	3395	1958	135	2248	155	2466	170	2683	185		X
K 120140 - 5G	1040.6	3939	1668	115	1886	130	2103	145	2248	155		X

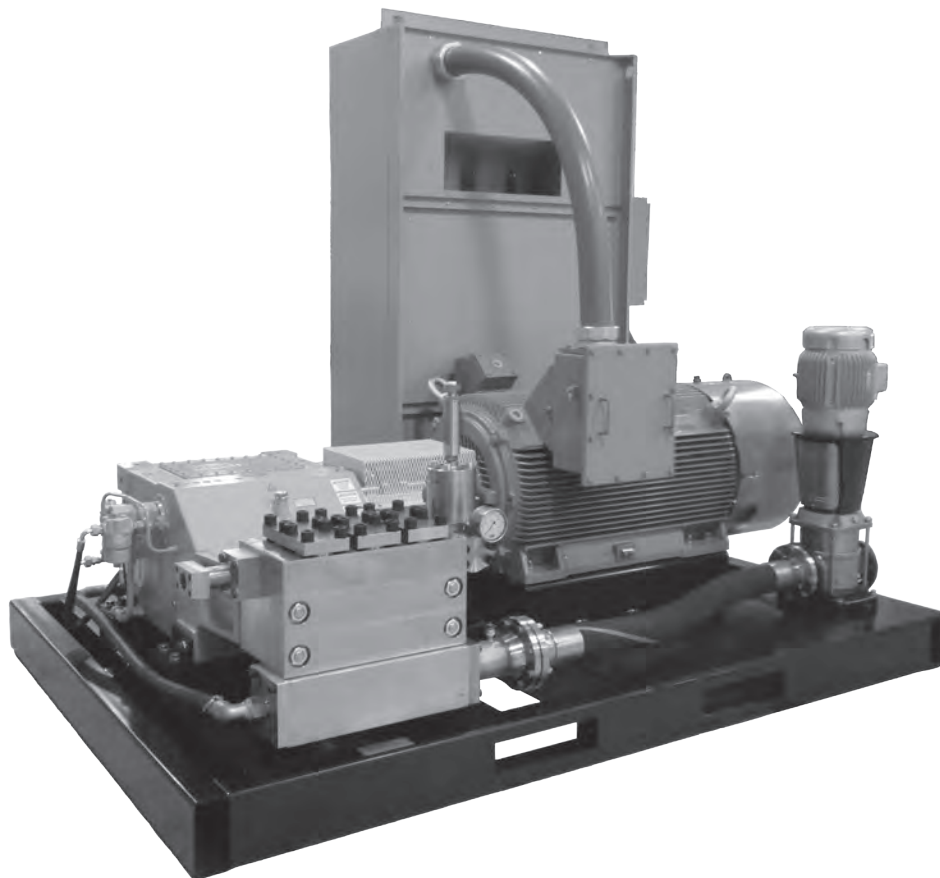
# KAMAT UNITS

## HPUDT-3-40

Ruggedly designed pump and diesel unit which features a compact design and continuous duty Kamat pump and over-sized engine. Available with standard design or let us create a customized unit to meet your needs.



**Kamat Unit**



# KAMAT ACCESSORIES

## KSP500 Spray Gun

-Gun complete with spray tube  
19.7 in. (500 mm) or 39.4 in (1000 mm) and handle  
(without hose connector and nozzle)

-KSP 500 with 500 mm spray tube      Part no. 7002580  
-KSP 500 with 1000 mm spray tube      Part no. 7002581

-Hose connector 1/2" BSP                      Part no. 5040033  
-Hose connector M 22x1.5 DKL              Part no. 1051093

-Sleeve 1/4" BSP for screwed nozzles      Part no. 1050088



## Technical Data

	U.S.	Metric
Max. Working Pressure:	8700 PSI	600 bar
Max. Capacity:	21.1 GPM	80 L/min
Connection:		1/2" FBSP
Nozzle Connection:		1/4" MBSP
Total Length:	25.6" or 45.3"	650 mm or 1150 mm - depending on actual model
Weight:	6.6-8.8 lbs.	Approx. 3-4 kg - depending on actual model
Temperature:	max. 302 °F	max. 150 °C
Usable Nozzle Inserts:	-Screwed nozzles 1/4" BSP (see threaded nozzles Form S) only with sleeve 1050088 -Orbital nozzle KOD 500	

## Applications

For manual surface cleaning of all types of forms and materials with nozzle.



For hand-help operation of a spray gun the nozzle diameter must be selected to ensure that the reaction force in the longitudinal axis when used at the maximum operating pressure does not exceed 250 N. If the reaction force is in excess of 150 N the gun must be equipped with a support, in compliance with the European Norm EN 1829.

# KAMAT ACCESSORIES

## KSP1200 Spray Gun

- HP - Gun complete with spray tube 29.5 in. (750 mm), handle and nozzle holder for insert nozzles (without hose connector and nozzle) Part no. 7009209



### Additional Equipment:

- Shoulder support Part no. 7009215
- Initiator for remote control Part no. 7017928
- Half shell handle Part no. 7009921
- Hose connection adapter 1/2" BSP Part no. 7012416
- Hose connection adapter M 22x1.5 DKL Part no. 7009212
- Hose connection adapter M 22x1.5 DKO Part no. 7013332
- Hose connection adapter G 24x1.5 DKO Part no. 7009213



## Technical Data

	U.S.	Metric
Max. Working Pressure:	17,400 PSI	1200 bar
Max. Capacity:	10.6 GPM	40 L/min
Connection:		M 26x1.5 female (with pressure screw M 26x1.5 and pressure ring M 14x1.5 LH)
Total Length:		39.4" 1000 mm
Weight:		7.5 lbs. 3.4 kg
Temperature:		max. 122 °F max. 50 °C
Usable Nozzle Inserts:		-Insert nozzles Form A, B and C -Orbital nozzle KOD 1500/1000 -Rotating nozzle PRD 3500

## Applications

For manual surface cleaning of all types of forms and materials with nozzle.



For hand-help operation of a spray gun the nozzle diameter must be selected to ensure that the reaction force in the longitudinal axis when used at the maximum operating pressure does not exceed 56.2 lbs.-force (250 N). If the reaction force is in excess of 33.7 lbs.-force (150 N) the gun must be equipped with a support.

## KAMAT ACCESSORIES

### KSP3000 Spray Gun

- HP - Gun complete with spray tube - 29.5 in. (750 mm), hose connector M 14x1.5 LH, initiator with 79" (2m) cable (for remote control) and nozzle holder for insert (Supplied without nozzles)

Part No. 7018125



#### Additional Equipment:

- (a) Shoulder Support: 7009215
- (b) Half Shell Handle: 7009921
- (c) Handle (not shown): 7001071

### Technical Data

	U.S.	Metric
Max. Working Pressure:	43,500 PSI	3000 bar
Max. Capacity:	10.6 GPM	40 L/min
Total Length:	39.4"	1000 mm
Weight:	6.6 lbs.	3.0 kg
Temperature:	max. 122 °F	max. 50 °C
Connection:		M 26x1.5 female (with pressure screw M 26x1.5 and pressure ring M 14x1.5 LH)
Usable Nozzle Inserts:	-Insert nozzles Type 0952 -Rotating nozzle PRD 3000 -Rotating nozzle PRD 3000 Air -Orbital nozzle KOD 2500	

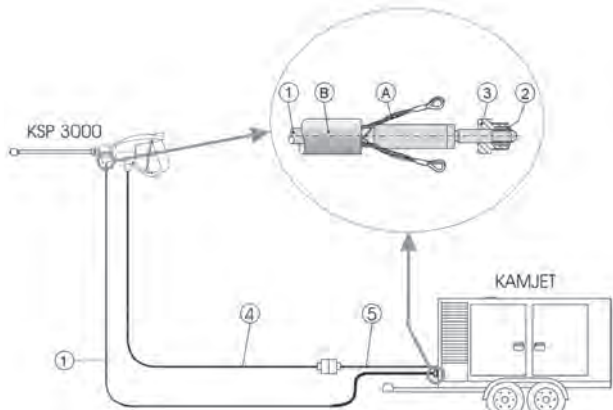
### Applications

For manual surface cleaning of all types of forms and materials.



For hand-help operation of a spray gun the nozzle diameter must be selected to ensure that the reaction force in the longitudinal axis when used at the maximum operating pressure does not exceed 56.2 lbs.-force (250 N). If the reaction force is in excess of 33.7 lbs.-force (150 N) the gun must be equipped with a support.

Item	Description	Part No.
1	High pressure hose with safety hose (Pos. A and B) Fitting: M 14x1.5 LH	High Pressure Hose Literature
2	Pressure Ring M 14 x 1,5 LH	7006365
3	Pressure Screw M 26 x 1.5	7006364
4	Remote control cable on cable reel 164 FT (50M) 262 FT (80M) 328 FT (100M)	7017923 7017922 7017924



# KAMAT ACCESSORIES

## Roto-Lance

### Pneumatically Driven Rotating Lance

- Roto-Lance complete with rotating tube, protection tube, pneumatic drive and initiator (without nozzle head)

Part no. 7029552



### Optional Equipment:

-without gun handle

Part no. 7028912



### Additional Equipment:

-Shoulder support

Part no. 7009215



## Technical Data

	U.S.	Metric
Max. Working Pressure:	50,763 PSI	3500 bar
Max. Capacity:	13.2 GPM	50 L/min
Pressure Connection:		M 26x1.5 female (pressure screw & pressure ring available see accessories)
Connection for nozzle head:		M 14x1.5 LH male
Total Length:	39.4"	1000 mm
Weight (complete)	13.2 lbs.	6 kg
Weight (without handle):	7.7 lbs.	3.5 kg
Temperature:	max. 194 °F	max. 90 °C
Usable Nozzle Heads:		-see nozzle head rotating tools literature

### Pneumatic Drive

Speed RPM:

0 - 1800 RPM

Air Connection:

Quick coupling for air hose ID 6

Air Requirement:

5.0 l/s (filtered and oiled air)

Air Working Pressure:

91.4 PSI

6.3 bar

## Required Accessories

- Pressure Screw M 26x1.5 7006364
- Pressure Ring M 14x1.5 LH 7006365
- Pressure Ring 9/16"-18 UNF LH 7006966

## Applications

- Can be fitted to guns and guided equipment
- Cleaning of surfaces and pipes
- Removal of paint and coatings
- Removal of concrete; laying bare reinforcements
- Cleaning and washing of concrete and stones



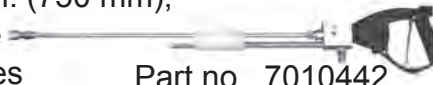
For hand-help operation of a spray gun the nozzle diameter must be selected to ensure that the reaction force in the longitudinal axis when used at the maximum operating pressure does not exceed 56.2 lbs.-force (250 N). If the reaction force is in excess of 33.7 lbs.-force (150 N) the gun must be equipped with a support.



# KAMAT ACCESSORIES

## K1500 Spray Dump Gun

- High Pressure Gun complete with spray tube 29.5 in. (750 mm), handle, hose connector M 24x1.5 DKO, bypass tube 15.7 in. (400 mm) and nozzle holder for insert nozzles



Part no. 7010442

### Optional Equipment:

- without spray tube and nozzle holder



Part no. 7010510

### Additional Equipment:

- Shoulder support
- Initiator for remote control



Part no. 7009215

Part no. 7017928

## Technical Data

	<u>U.S.</u>	<u>Metric</u>
Max. Working Pressure:	21,750 PSI	1500 bar
Max. Capacity:	10.6 GPM	40 L/min
Connection:		M 24x1.5 DKO
Total Length:	39.4"	1000 mm
Weight (complete):	7.5 lbs.	3.4 kg
Weight (without spray tube and bypass tube):	6.8 lbs.	3.1 kg
Temperature:	max. 122 °F	max. 50 °C
Usable Nozzle Inserts:	<ul style="list-style-type: none"> <li>• Straight or Fanjet Insert nozzles Form A+B and C</li> <li>• Rotating nozzle PRD 3500</li> <li>• Nozzle heads DK1 - DK4 for PRD3500</li> <li>• Orbital nozzle KOD 1500</li> </ul>	

## Applications

For manual surface cleaning of all types of forms and materials with nozzle.

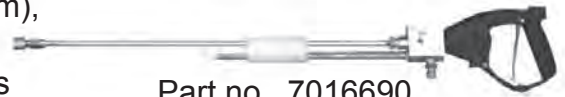


For hand-help operation of a spray gun the nozzle diameter must be selected to ensure that the reaction force in the longitudinal axis when used at the maximum operating pressure does not exceed 56.2 lbs.-force (250 N). If the reaction force is in excess of 33.7 lbs.-force (150 N) the gun must be equipped with a support.

# KAMAT ACCESSORIES

## K2500 Spray Dump Gun

- HP - Gun complete with spray tube 29.5 in. (750 mm), handle, hose connector M 14x1.5 LH, bypass tube 15.7 in. (400 mm) and nozzle holder for insert nozzles



Part no. 7016690

### Optional Equipment:

-without spray tube, bypass tube and nozzle holder



Part no. 7016762

### Additional Equipment:

-Shoulder support  
-Initiator for remote control



Part no. 7009215

Part no. 7017928

## Technical Data

	U.S.	Metric
Max. Working Pressure:	36,250 PSI	2500 bar
Max. Capacity:	7.9 GPM	30 L/min
Connection:		M 26x1.5 female (with pressure ring M 14x1.5 LH and pressure screw M 26x1.5)
Total Length:	39.4"	1000 mm
Weight (complete)	7.5 lbs.	3.4 kg
Weight (without spray tube and bypass tube):	6.8 lbs.	3.1 kg
Temperature:	max. 122 °F	max. 50 °C
Usable Nozzle Inserts:		-Insert nozzles Type 0952 -Rotating nozzle PRD 3500 -Nozzle heads DK1 - DK4 for PRD 3500 -Orbital nozzle KOD 2500

## Applications


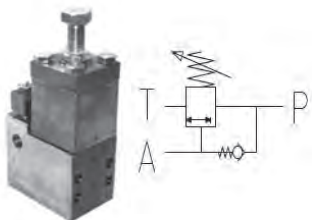
For manual surface cleaning of all types of forms and materials with nozzle.



For hand-help operation of a spray gun the nozzle diameter must be selected to ensure that the reaction force in the longitudinal axis when used at the maximum operating pressure does not exceed 56.2 lbs.-force (250 N). If the reaction force is in excess of 33.7 lbs.-force (150 N) the gun must be equipped with a support.

# KAMAT ACCESSORIES

## Unloader Valves

Symbol						
ID	<b>DN 16</b>	<b>DN 32</b>	<b>DN 50</b>	<b>DN 80</b>	<b>DN 17</b>	<b>DN 25</b>
Function	Electric				Spring Loaded	
Maximum Pressure PSI (bar)	7250 (500)				10,150 (700)	
Flow GPM (L/min)	0 - 53 (0 -200)	53 - 159 (200 - 600)	159 - 370 (600 - 1400)	370 - 687 (1400 - 3600)	0 - 53 (0 -200)	0 - 92.5 (0 - 350)
Inlet Connection	30x65 mm ø 15 mm	70x70 mm ø 17 mm	80x90 mm ø 17 mm	100x200 mm ø 25 mm	30x65 mm ø 15 mm	30x65 mm ø 15 mm
Discharge Connection	SAE 3/4" 6000 PSI	SAE 1-1/2" 6000 PSI	SAE 2" 6000 PSI	SAE 2-1/2" 6000 PSI	M 22x1.5 IG - female	M 38x1.5 IG - female
Bypass	SAE 1-1/2" 3000 PSI	SAE 2" or 3" 3000 PSI	SAE 2-1/2" or 4" 3000 PSI	SAE 3" or 5" 3000 PSI	1" BSP IG - female	1" BSP IG - female
Standard Industry	7024463	7015910	7023051	7026472	7005662	7024034
Stainless Steel Industry	7028548	7020784	7028550	7028552	xxx	xxx
CE Ex-ATEX	7028547	7028549	7028551	xxx	xxx	
Special Note	<b>Spacer comple for all pilot valves (industry) required For pilot valves (mining) no spacer required</b>				<b>only mechanical</b>	
<b>Spacer for assembly of the unloader with the pilot valve</b>						
Standard	7016993					
Stainless Steel	7020810					
<b>3/2 way pilot valve</b>						
Industry Standard	24 V DC		7016250			
	230 V AC		7017455			
Industry Ex-ATEX	24 V DC		7026131			
	230 V DC		xxx			
Mining Ex-ATEX	12 V		7019030			

# KAMAT ACCESSORIES

## Pressure Regulators

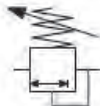
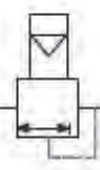


Symbol	Maximum Pressure PSI (bar)	Max. Flow GPM (L/min)	Inlet Connection	Measuring Connection	Bypass	Function	Part No. with ceramic seat and cone	
							Standard	Duplex
	21,750 (1500)	105 (400)	80x50 mm	M26x1.5	ø 28	Spring loaded	7025701	7026716
	8700 (600)						7026224	7026715
	21,750 (1500)	105 (400)	80x50 mm	M26x1.5	ø 28	pneumatic	7025300	7026719
	11,600 (800)						7026223	7026718
	4350 (300)						7026235	7026717
Symbol	Max. Pressure PSI (bar)	Max. Flow GPM (L/min)	Inlet Connection	Measuring Connection	Bypass	Function	Part No. with steel seat and cone	
							Standard	Duplex
	7250 (500)	634 (2400)	200x100 mm	M26x1.5	ø 125	pneumatic	7026259	7026720
	3625 (260)						7025783	7026721
Plug complete for closing the measuring connection (always required)							7026708	
Symbol	Maximum Pressure PSI (bar)	Max. Flow GPM (L/min)	Inlet Connection	Measuring Connection	Bypass IG Female	Function	Part No. with ceramic seat and cone	
							Standard	Duplex
	58,015 (4000)	15.8 (60)	M 26x1.5 IG-female	----	M 36x2	pneumatic	7029380	xxx
	Double nipple pressure inlet M 26x1.5 <b>Note: no pressure outlet</b>						7017844	

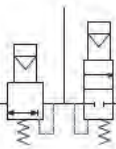
## KAMAT ACCESSORIES

### Pressure Regulators



Symbol	Maximum Pressure PSI (bar)	Max. Flow GPM (L/min)	Inlet Connection	Discharge Connection	Bypass	Function	Part No. with steel seat and cone	
							Standard	Duplex
	8700 (600)	317 (1200)	80x90 mm	2" BSP	1-1/2" BSP	Spring loaded	7003776	7003804
	3190 (220)	317 (1200)	80x90 mm	2" BSP	1-1/2" BSP	pneumatic	7026200	7028077
	8700 (600)	317 (1200)	80x90 mm	2" BSP	1-1/2" BSP	pneumatic	7003808	7003809



Symbol	Maximum Pressure PSI (bar)	Max. Flow GPM (L/min)	Inlet Connection	Measuring Connection	Bypass IG Female	Function	Part No. with ceramic seat and cone	
							Standard	Duplex
	15,950 (1100)	66.1 (250)	30x65 mm	M30x1.5	1-1/2" BSP	pneumatic	7006873	xxx
							with adapter 10° for assembly left	
							7019333	xxx
							with adapter 10° for assembly right	
							7006872	xxx
with adapter 10° for assembly straight down								

## KAMAT ACCESSORIES

### Control Valves



Symbol	Max. PSI (bar)	Max. GPM (L/min)	Inlet Connection	Discharge Side Outlet	Bypass	Function	Part no.
	50763 (3500)	13.5 (51)	30 x 65 mm	M26 x 1.5	M22 x 1.5	pneumatic	7017294
	31,908 (2200)	34.3 (130)					7010022
	50763 (3500)	44.9 (170)					7024010
	21,750 (1500)	10.6 (40)	M26 x 1.5 M26 x 1.5	M26 x 1.5	-----	pneumatic	7010792
	36,250 (2500)	7.9 (30)	M26 x 1.5	M26 x 1.5	-----	pneumatic	7012458
	21,750 (1500)	10.6 (40)	M26 x 1.5	M26 x 1.5	-----	electric	7011424
	36,250 (2500)	7.9 (30)	M26 x 1.5	M26 x 1.5	-----	electric	7011436
	50763 (3500)	13.2 (50)	M26 x 1.5	M26 x 1.5	-----	pneumatic	7026520
	21,750 (1500)	52.8 (200)	M22 x 1.5	M22 x 1.5	-----	pneumatic	7004292
	14,500 (1000)	63.4 (240)	M30 x 1.5	M30 x 1.5	-----	pneumatic	7003250

# KAMAT ACCESSORIES

## Rotating Nozzles

### Specifications

	U.S.	(Metric)
Flow (PRD4000):	7.9 GPM	(30 LPM)
Flow (PRD2000):	10.6 GPM	(40 LPM)
Pressure (PRD4000):	58,000 PSI	(4000 bar)
Pressure (PRD2000):	29,000 PSI	(2000 bar)
Total Length:	6.9"	175 mm
Connection:		M26 x 1.5
Weight (complete):	3.5 lbs.	(1.6 kg)



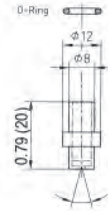
## Nozzle Heads for Rotating Tools

Type	Dimensions - In (mm)	Nozzle Configuration	Application	Part No.
RLH 1		max. 6 x Type 0987 Standard configuration: 6 x 0.35 mm	Cleaning and removal in areas of difficult access	7006182 without nozzle inserts
RLH 2		max. 4 x Type 0965 Standard configuration: 4 x 0.4 mm	Surface treatment Concrete removal Roughening of concrete surfaces Removal of paint and coatings	7006381 without nozzle inserts
RLH 3		max. 4 x Type 0987 Standard configuration: 4 x 0.4 mm	Removal of difficult coatings Cleaning in areas where access is limited	7006184 without nozzle inserts
RLH 4		max. 6 x Type 0965 Standard configuration: 6 x 0.35 mm	Surface treatment Concrete removal Roughening of concrete surfaces Removal of paint and coatings	7006428 without nozzle inserts
RLH 5		max. 2 x Type 0987 Standard configuration: 2 x 0.6 mm	Removal of difficult coatings Cleaning in areas where access is limited	7006183 without nozzle inserts
RLH 6		max. 8 x Type 0965 Standard configuration: 8 x 0.3 mm	Surface treatment Concrete removal Roughening of concrete surfaces Removal of paint and coatings	7006943 without nozzle inserts
Steel protection cover for nozzle head type RLH 2				7007949
Steel protection cover for nozzle head type RLH 4				7008082

# KAMAT ACCESSORIES

## Fan Jet Insert Nozzles Form C

- For use with High Pressure Guns KSP 1200, Dump Gun 1500 and Surface Cleaner



### Technical Data

- Pressure Maximum: 21,750 (1500 bar)
- Material: Stainless Steel 1.4034. hardened
- Sealing by means of o-ring
- Nozzle factor: 0.67

ø [mm]	Maximum Pressure PSI (bar)	Part No.			
		10°	15°	20°	30°
0.80	21750 (1500)	7005543	7001212	7005577	7001235
0.90		7005544	7001213	7005578	7001236
1.00		7005545	7001214	7005579	7001237
1.10		7005546	7001215	7005580	7001238
1.20		7005547	7001216	7005581	7001239
1.30		7005548	7001217	7005582	7001240
1.40		7005549	7001218	7005583	7001241
1.50		7005550	7001219	7005584	7001242
1.60		xxx	7001220	xxx	7001243
1.70		xxx	7001221	xxx	7001244
1.80		xxx	7001222	xxx	7001245
1.90		xxx	7001223	xxx	7001246
2.00		xxx	7001224	xxx	7001247
2.10		xxx	7001225	xxx	7001248
2.20		xxx	7001226	xxx	7001249
2.30		xxx	7001227	xxx	7001250
2.40		xxx	7001228	xxx	7001251
2.50		xxx	7001229	xxx	7001252
2.60		xxx	7001230	xxx	7001253
2.70		xxx	7001231	xxx	7001254
2.80	xxx	7001232	xxx	7001255	
O-Ring		1060382			



## KAMAT ACCESSORIES

### Straight Jet Insert Nozzles Form A + B

- For use with High Pressure Guns KSP 1200, Dump Gun 1500 and as Insert for Rotating Nozzle PRD 1500 and Nozzle Carrier DT 2 + DT 4 of Tornado



#### Technical Data

- Working Pressure: 21,750 (1500 bar)
- Material: Stainless Steel 1.4034. hardened
- Sealing by means of o-ring
- Nozzle factor: 0.95

Type	Nozzle ø [mm]	L [mm]	Operating Pressure	Part No.
A	0.50	12	1500	7001176
	0.60			7001177
	0.70			7001178
	0.80			7001179
	0.90			7003528
	1.00			7003529
	1.20			7003531
B	0.50	24		7014421
	0.60			xxx
	0.70			7014422
	0.80			7012688
	0.85			7014110
	0.90			7001180
	1.00			7001181
	1.10			7001182
	1.20			7001183
	1.30			7001184
	1.40			7001185
	1.50			7001186
	1.60			7001187
	1.70			7001188
	1.80		7001189	
	1.90		7001190	
	2.00		7001191	
2.10	7001192			
2.20	7001193			
2.30	7001194			
O-Ring				1060382

# KAMAT ACCESSORIES

## Threaded Nozzles Form HM



### Technical Data

- Thread: 1/4" NPT
- Length: 0.866" (22 mm)
- Wrench Size: (14 mm)
- Working Pressure: 11,600 PSI (800 bar)
- Material: Stainless Steel with tungsten carbide

ø [mm]	Jetting Angle Part Number	
	Straight Jet	15°
0.85	7000120	-
0.95	7000121	-
1.02	-	7000878
1.07	7000122	-
1.15	-	7000879
1.25	7000123	-
1.30	-	7000880
1.40	7000124	7000881
1.55	7000125	-
1.60	-	7000882
1.75	7000126	-
1.80	-	7000883
1.95	7000127	-
2.10	-	7000884
2.20	7000128	-
2.40	-	7000885
2.45	7000129	-
2.60	-	7000886

Additional nozzle sizes available on request.

Subject to change without notice.

# KAMAT ACCESSORIES

## Threaded Nozzles Form HS



### Technical Data

- Thread: 1/4" NPT
- Length: 0.87" (22 mm)
- Wrench Size: (14 mm)
- Working Pressure: 10,150 PSI (700 bar)
- Material: 1.4305 hardened

ø [mm]	Jetting Angle			
	Part Number			
	Straight Jet	15°	30°	45°
1.00	-	7000888	7000902	7000925
1.05	7000130	-	-	-
1.10	-	7000889	7000904	7000927
1.20	-	7000890	7000906	7000929
1.30	7000131	-	7000907	7000930
1.35	7000132	7000891	7000908	7000931
1.45	7000133	-	-	-
1.50	7000135	7000892	7000910	7000933
1.60	7000135	-	7000911	7000934
1.70	7000136	7000893	7000912	7000935
1.80	7000137	-	7000914	7000937
1.90	7000138	7000895	7000915	7000938
2.00	7000139	-	-	-
2.10	7000140	-	7000916	7000939
2.15	7000141	-	-	-
2.30	7000142	7000896	7000197	7000940
2.40	7000143	-	-	-
2.55	7000144	7000898	7000919	7000942
2.65	7000145	-	-	-
3.00	-	-	7000922	7000945
3.20	7000146	-	-	-

Additional nozzle diameters and spray patterns available on request.

Subject to change without notice.

# KAMAT ACCESSORIES

## Threaded Nozzles Form S

- For use with High Pressure Guns KSP 500



### Technical Data

- Thread: 1/4" BSP
- Length: 0.47" (12 mm)
- Wrench Size: (17 mm)
- Working Pressure: 10,875 PSI (750 bar)
- Material: 1.4305

ø [mm]	Jetting Angle			
	Part No.			
	Round Jet	15°	30°	45°
0.80	7000083	7000151	7000190	7000299
0.90	7000084	7000152	7000191	7000230
1.00	7000085	7000153	7000192	7000231
1.10	7000086	7000154	7000193	7000232
1.20	7000087	7000155	7000194	7000233
1.30	7000088	7000156	7000195	7000234
1.40	7000089	7000157	7000196	7000236
1.50	7000090	7000158	7000197	7000237
1.60	7000091	7000159	7000198	7000238
1.70	7000092	7000160	7000199	7000239
1.80	7000093	7000161	7000200	7000240
1.90	7000094	7000162	7000201	7000241
2.00	7000095	7000163	7000202	7000242
2.10	7000096	7000164	7000203	7000243
2.20	7000097	7000165	7000204	7000244
2.30	7000098	7000166	7000205	7000245
2.40	7000099	7000167	7000206	7000246
2.50	7000100	7000168	7000207	7000247
2.60	7000101	7000169	7000208	7000249
2.70	7000102	7000170	7000209	7000250
2.80	7000103	7000171	7000210	7000251
2.90	7000104	7000172	7000211	7000252
3.00	7000105	7000173	7000212	7000253

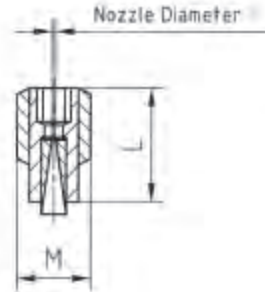
Additional nozzle diameters available on request.

# KAMAT ACCESSORIES

## Straight Jet Threaded Nozzles

For use with:

- RD2000
- RD4000
- Rotating Nozzle Tools



### Technical Data

- Straight jet sapphire nozzle to be fitted into rotating tools
- Working pressure: Max. 43,500 PSI (3000 bar)
- Sealing by a seal seat
- Secured by a hexagon socket
- Sapphire inserts made of Aluminum Oxide ( $Al_2O_3$ ). Housing: cold formed steel (1.4305)
- Nozzle Factor: 0.85

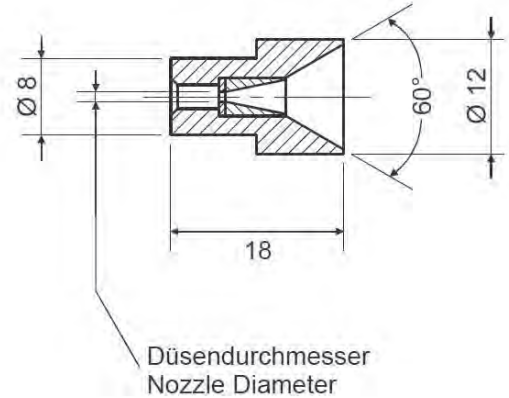
ø [mm]	Operating pressure	Type 0987 - M 8 x 1		Type 0965 - M 10	
		Part No.	Length - in. (mm)	Part No.	Length - in. (mm)
0.20	43,500 PSI (3000 bar)	7005520	0.47" (12 mm)	7006250	0.71" (18 mm)
0.25		7016274		7006251	
0.30		7005521	7006252		
0.35		7005536	7006253		
0.40		7005522	7006254		
0.45		7005537	7006255		
0.50		7005523	7006256		
0.55		7005538	7011511		
0.60		7005524	7006257		
0.65		-----	7011512		
0.70		7005525	7006258		
0.75		-----	7011465		
0.80		7005526	7006259		
0.85		-----	7011464		
0.90		7005527	7006260		
0.95		-----	7013152		
1.00		7005528	7006424		
Plug	7006249	7006425			

Subject to change without notice

# KAMAT ACCESSORIES

## Round Jet Insert Nozzles (Type 0952)

- To be used with High Pressure Gun KSP 3000 and Dump Gun K2500



### Technical Data

- Operating Pressure - 43,500 PSI (3000 bar)
- Conical Sealing - Suitable for High Pressure Connections with 59° cone
- Sapphire Inserts Made of Al<sub>2</sub>O<sub>3</sub>
- Housing made of rustproof and acid proof stainless steel (1.4112)
- Nozzle factor: 0.72

Nozzle Diameter [mm]	Operating Pressure	Part No.
0.4	Maximum 43,500 PSI (3000 bar)	7012510
0.45		7017124
0.5		7005551
0.6		7005552
0.7		7005553
0.8		7005554
0.9		7005555
1.0		7005556
1.1		7005557
1.2		7005558
1.3		7005559
1.4		7005560
1.5		7005561
Nozzle holder M 14 x 1.5 LH		7004818

## KAMAT ACCESSORIES

### Pipe Cleaning Nozzles



Form	Jetting Angle	Connection Female	Outer Diam. Inch (mm)	Length Inch (mm)	Hex.	Part Number
04.01	30°/45°/60°/75°	1/8" BSP	.47" (12)	.98" (25)	----	2560001
04.03	30°/45°/60°/75°	1/4" BSP	.63" (16)	.98" (25)	----	2560003
04.09	15° + 75°	1/8" BSP	.55" (14)	1.77" (45)	10	2560014
04.10	15° + 75°	1/4" BSP	.63" (16)	2.16" (55)	14	2560015
05.01	0 - 90° forward/30-90° back	1/8" BSP	.47" (12)	1.18" (30)	10	2560016
05.15	0 - 90° forward/30-90° back	M 8	.39" (10)	1.18" (30)	----	2560068
05.02	0 - 90° forward/30-90° back	1/4" BSP	.63" (16)	1.18" (30)	14	2560017
05.03	0 - 90° forward/30-90° back	M 22 X 1.5	1.10" (28)	1.57" (40)	24	2560018
05.08	30° - 45° - 60°	1/2" BSP	1.18" (30)	1.38" (35)	24	2560054
05.10	30° - 45° - 60°	3/4" BSP	1.38" (35)	1.57" (40)	32	2560056
05.12	30° - 45° - 60°	1" BSP	1.97" (50)	2.36" (60)	41	2560058



### Rotating Pipe Cleaning Nozzles

Type	Connection Female	Outer Diam. Inch (mm)	Length Inch (mm)	for pipe Inner diameter (mm)	Min GPM (lpm) @11,600PSI	Part Number
KRD	M 7	.43 (11)	1.18" (30)	12-18	11.9 (45)	7009455
FKRD	M 7	.43 (11)	1.18" (30)	12-18	11.9 (45)	7009456
KRD	M 8	.43 (11)	1.18" (30)	12-18	11.9 (45)	7002762
FKRD	M 8	.43 (11)	1.18" (30)	12-18	11.9 (45)	7002761
KRD	1/8" BSP	.63 (16)	1.30" (33)	17-30	11.9 (45)	7002763
FKRD	1/8" BSP	.63 (16)	1.30" (33)	17-30	11.9 (45)	7002752
RRD	1/4" BSP	1.10" (28)	2.44" (62)	30-42	7.9 (30)	7002765
KRD	1/4" BSP	1.10" (28)	2.44" (62)	30-42	7.9 (30)	7002764
FKRD	1/4" BSP	1.10" (28)	2.44" (62)	30-42	7.9 (30)	7002767
RRD	M 24 X 1.5	1.60" (40)	3.27" (83)	42-55	7.9 (30)	7002767
KRD	M 24 X 1.5	1.60" (40)	3.27" (83)	42-55	7.9 (30)	7002766
FKRD	M 24 X 1.5	1.60" (40)	3.27" (83)	42-55	7.9 (30)	7002760
RRD	M 24 X 1.5	2.00" (50)	4.06" (103)	55-70	7.9 (30)	7002747
KRD	M 24 X 1.5	2.00" (50)	4.06" (103)	55-70	7.9 (30)	7002750
FKRD	M 24 X 1.5	2.00" (50)	4.06" (103)	55-70	7.9 (30)	7002751

Type: RRD- Radial rotary nozzle with 4 jets under 90°

KRD- Combi rotary nozzle with 2 jets under 90° and 2 jets under 45° backwards

FKRD- Front combi rotary nozzle with 2 jets under 90° and 2 jets under 45° forwards

# KAMAT ACCESSORIES

## Multi-Operation 2/2 Way Control Valve

### 21,750 PSI (1500 bar)

**Technical Data:**

Flow: 10.6 GPM (40 lpm) max.  
 Working Pressure: 21,750 PSI (1500 bar) max.  
 Viscosity: 1000 mPas  
 Electrical: 24 VDC (Std)  
 (Option - 220VAC or 12 VDC)  
 Pneumatic: 87 PSI (6 bar)



**Electric Version**

**24 VDC**

(1) Operator Control 7011424  
 (2) Operator Control 7011425  
 (3) Operator Control 7011426  
 (4) Operator Control 7011427

**Pneumatic Version**

(1) Operator Control 7010792  
 (2) Operator Control 7011111  
 (3) Operator Control 7011110  
 (4) Operator Control 7011099

Cartridge Repair Kit 7012314 For one (1) valve

Connections: Inlet and Discharge (1 per operator) M26 x 1.5 female **Part No.**  
 Hose Adapter M26 x 1.5 - M22 x 1.5 DKL 7009212  
 Hose Adapter M26 x 1.5 - M24 x 1.5 DKO 7009213

### 36,250 PSI (2500 bar)

**Technical Data:**

Flow: 7.9 GPM (30 lpm) max.  
 Working Pressure: 36,250 PSI (2500 bar) max.  
 Viscosity: 1000 mPas  
 Electrical: 24 VDC (Std)  
 (Option - 220VAC or 12 VDC)  
 Pneumatic: 87 PSI (6 bar)

**Electric Version**

**24 VDC**

(1) Operator Control 7011436  
 (2) Operator Control 7012463  
 (3) Operator Control 7012464  
 (4) Operator Control 7012465

**Pneumatic Version**

(1) Operator Control 7012458  
 (2) Operator Control 7012460  
 (3) Operator Control 7012461  
 (4) Operator Control 7012462

Cartridge Repair Kit 7012459 For one (1) valve

Connections: Inlet and Discharge (1 per operator) M26 x 1.5 female with **Part No.**  
 Pressure Ring - M14 x 1.5 LH 7006365  
 Pressure Screw - M26 x 1.5 7006364



# KAMAT ACCESSORIES

## High Pressure Hoses

Hose ID (mm)	Max. Pressure PSI (bar)	Hose OD In. (mm)	Bending Radius Inch (mm)	Length Ft. (m)	Part Number
5	36,250 (2500)	.53" (13.4)	7.9" (200)	32.8 (10)	7006367
5	36,250 (2500)	.53" (13.4)	7.9" (200)	49.2 (15)	7006368
5	36,250 (2500)	.53" (13.4)	7.9" (200)	65.6 (20)	7006369
5	43,500 (3000)	.60" (15.3)	8.7" (220)	65.6 (20)	7000471
8	36,250 (2500)	.70" (17.8)	10.2" (260)	32.8 (10)	7006370
8	36,250 (2500)	.70" (17.8)	10.2" (260)	49.2 (15)	7006371
8	36,250 (2500)	.70" (17.8)	10.2" (260)	65.6 (20)	7006372
8	43,500 (3000)	.77" (19.5)	11.0" (280)	65.6 (20)	7000476

Hose ID (mm)	Max. Pressure PSI (bar)	Hose OD In. (mm)	Fitting Cap Nut, f	Hex	Length Ft. (m)	Part Number
10	20,300 (1400)	.76" (19.4)	M 24 x 1.5 DKO	30	16.4 (5)	7002971
10	20,300 (1400)	.76" (19.4)	M 24 x 1.5 DKO	30	65.6 (20)	7002972
10	20,300 (1400)	.76" (19.4)	M 24 x 1.5 DKO	30	131.2 (40)	7002973
12-13	10,440 (720)	.97" (24.6)	M 22 x 1.5 DKL	27	16.4 (5)	7000490
12-13	10,440 (720)	.97" (24.6)	M 22 x 1.5 DKL	27	65.6 (20)	7000491
12-13	10,440 (720)	.97" (24.6)	M 22 x 1.5 DKL	27	131.2 (40)	7000492
12-13	15,950 (1100)	1.0" (25.4)	M 24 x 1.5 DKO	30	16.4 (5)	7000494
12-13	15,950 (1100)	1.0" (25.4)	M 24 x 1.5 DKO	30	65.6 (20)	7000495
12-13	15,950 (1100)	1.0" (25.4)	M 24 x 1.5 DKO	30	131.2 (40)	7000496
12-13	20,300 (1400)	1.2" (29.5)	M 24 x 1.5 DKO	30	16.4(5)	7000498
12-13	20,300 (1400)	1.2" (29.5)	M 24 x 1.5 DKO	30	65.6 (20)	7000499
12-13	20,300 (1400)	1.2" (29.5)	M 24 x 1.5 DKO	30	131.2 (40)	7000500
12-13	26,100 (1800)	.96" (24.5)	M 24 x 1.5 DKO	30	16.4 (5)	7000502
12-13	26,100 (1800)	.96" (24.5)	M 24 x 1.5 DKO	30	65.6 (20)	7000503
12-13	26,100 (1800)	.96" (24.5)	M 24 x 1.5 DKO	30	131.2 (40)	7000504
20	14,500 (1000)	1.2" (30)	M 36 x 2 DKO	41	16.5 (5)	7000518
20	14,500 (1000)	1.2" (30)	M 36 x 2 DKO	41	65.6 (20)	7000519
20	14,500 (1000)	1.2" (30)	M 36 x 2 DKO	41	131.2 (40)	7000520
20	20,300 (1400)	1.3" (33)	M 36 x 2 DKO	41	16.4 (5)	7002987
20	20,300 (1400)	1.3" (33)	M 36 x 2 DKO	41	65.6 (20)	7002988
20	20,300 (1400)	1.3" (33)	M 36 x 2 DKO	41	131.2 (40)	7002989
25	10,875 (750)	1.5" (37)	M42 x 2 DKO	50	16.4 (5)	7000530
25	10,875 (750)	1.5" (37)	M42 x 2 DKO	50	65.6 (20)	7000531
25	10,875 (750)	1.5" (37)	M42 x 2 DKO	50	131.2 (40)	7000532

Double Nipple & Red. Double Nipple	Hose ID (mm)	Pressure PSI (bar)	Part Number
M 22 x 1.5 DKL	13	14,500 (1000)	1051631
M 24 x 1.5 DKO	13	21,750 (1500)	1050671
M 36 x 2 DKO	20	21,750 (1500)	1050672
M 42 x 2 DKO	25	9425 (650)	5040190
M 22 x 1.5 DKL - M 24 x 1.5 DKO	13	21,750 (1500)	7001628
M 24 x 1.5 DKO - M 36 x 2 DKO	13	21,750 (1500)	1050673
M 36 x 2 DKO - M 42 x 2 DKO	13	14,500 (1000)	1051709
M 22 x 1.5 nose - M 22 x 1.5 DKL	13	14,500 (1000)	1050014
M 22 x 1.5 nose - M 24 x 1.5 DKO	13	21,750 (1500)	1050340
M 22 x 1.5 nose - M 36 x 2 DKO	13	21,750 (1500)	1050548
M 30 x 1.5 nose - M 24 x 1.5 DKO	20	21,750 (1500)	1050648
M 30 x 1.5 nose - M 36 x 2 DKO	20	21,750 (1500)	1050571
M 30 x 1.5 nose - M 42 x 2 DKO	20	21,750 (1500)	1051728
M 38 x 1.5 nose - M 36 x 2 DKO	25	14,500 (1000)	7004182
M 38 x 1.5 nose - M 42 x 2 DKO	25	14,500 (1000)	1051062

Hose safety devices:

- Steel wire loop & spring system
- Aluminum half-shells

Hose Id:10-20mm Part. No:7002804 or  
Hose Id: 13mm Part. No:7002806 or

Hose Id: 25mm Part No.7002805  
Hose Id: 20-25mm Part No. 7002807

# KAMAT ACCESSORIES

## Pipe Cleaning Hoses



Hose ID (mm)	Steel Layers*	Max. Pressure PSI (bar)	OD In (mm)	Fitting	Length Ft. (m)	Part Number
4	2	17,400 (1200)	.41" (10.3)	1/4" BSP DKR - 1/8" MBSP	19.7 (6)	7000548
4	2	17,400 (1200)	.41" (10.3)	1/4" BSP DKR - 1/8" MBSP	39.4 (12)	7000550
4	2	17,400 (1200)	.41" (10.3)	1/4" BSP DKR - M7 male	19.7 (6)	7000552
4	2	17,400 (1200)	.41" (10.3)	1/4" BSP DKR - M7 male	39.4 (12)	7000554
5	2	15,080 (1040)	.52" (13.2)	1/4" BSP DKR - 1/8" MBSP	19.7 (6)	7000556
5	2	15,080 (1040)	.52" (13.2)	1/4" BSP DKR - 1/8" MBSP	39.4 (12)	7000558
5	2	15,080 (1040)	.52" (13.2)	1/4" BSP DKR - M8 male	19.7 (6)	7000560
5	2	15,080 (1040)	.52" (13.2)	1/4" BSP DKR - M8 male	39.4 (12)	7000562
6	2	13,920 (960)	.59" (15)	1/4" BSP DKR - 1/4" MBSP	19.7 (6)	7000568
6	2	13,920 (960)	.59" (15)	1/4" BSP DKR - 1/4" MBSP	39.4 (12)	7000570
8	2	11,600 (800)	.67" (17)	3/8" BSP DKR - 1/4" MBSP	19.7 (6)	7000572
8	2	11,600 (800)	.67" (17)	3/8" BSP DKR - 1/4" MBSP	39.4 (12)	7000574
5	4	26,100 (1800)	.67" (17)	1/4" BSP DKR - 1/4" MBSP	19.7 (6)	7000580
5	4	26,100 (1800)	.67" (17)	1/4" BSP DKR - 1/4" MBSP	39.4 (12)	7000582
6	4	22,040 (1520)	.71" (18)	1/4" BSP DKR - 1/4" MBSP	19.7 (6)	7000588
6	4	22,040 (1520)	.71" (18)	1/4" BSP DKR - 1/4" MBSP	39.4 (12)	7000590

\*Number of steel reinforced layers

Double Nipple & Red. Double Nipple	Hose ID (mm)	Pressure PSI (bar)	Part Number
1/8" BSP - 1/8" DKR	5	21,750 (1500)	1050103
1/4" BSP - 1/4" DKR	5	21,750 (1500)	1050091
1/4" BSP DKR - 22 x 1.5 DKL	5	21,750 (1500)	1051710
1/4" BSP DKR - M 24 x 1.5 DKO	5	21,750 (1500)	1051633
3/8" BSP DKR - M 22 x 1.5 DKL	8	21,750 (1500)	7004346
3/8" BSP DKR - M 24 x 1.5 DKO	8	21,750 (1500)	1051708

Sleeves & Reduction Sleeves	Pressure PSI (bar)	Part Number
1/8" BSP	21,750 (1500)	1050103
1/4" BSP	21,750 (1500)	1050091
1/4" BSP - 1/8" BSP	21,750 (1500)	1051710

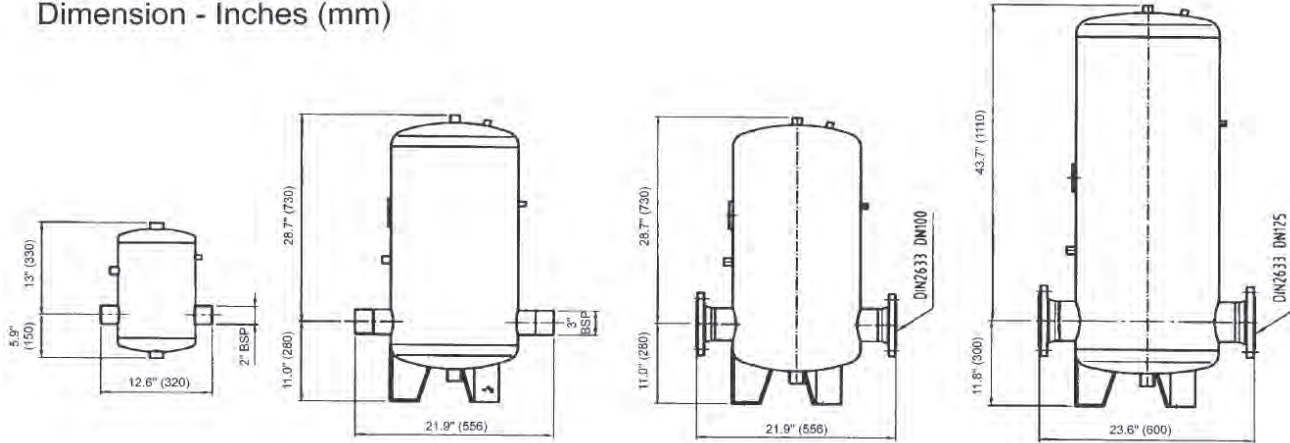
Hose Safety Devices	ID (mm)	Part Number
Steel wire loop & spring system	5-8	7002804

## KAMAT ACCESSORIES

### Inlet Suction Stabilizers

Type	Flow-GPM (L/min)	Diameter	Pressure - PSI (Bar)	Temp. - F (C)	Weight - Lbs. (Kg)	Material	Suction Stabilizer Part Number	Complete Part Number
I	31.7 (120)	2"	116 (8)	176 (80)	33 (15)	Steel, zinc plated	7006487	7006620
						Stainless Steel	7009412	7009415
II	79.3 (300)	3"	116 (8)	176 (80)	179 (81)	Steel, zinc plated	1030493	1010849
						Stainless Steel	7009413	7009416
	124 (470)	DN 100				Steel, zinc plated	7010059	7010063
						Stainless Steel	7010061	7010065
III	198 (750)	DN 125	116 (8)	176 (80)	339 (154)	Steel, zinc plated	7010060	7010064
						Stainless Steel	7010062	7010066

Dimension - Inches (mm)



### Safety Valves

Max. PSI (bar)	Inlet Port	Bypass Port	Function	Part Number
725 (50)	M 22 x 1.5	M 22 x 1.5	Spring Loaded	7015412
725 (50)	M 30 x 1.5	M 22 x 1.5	Spring Loaded	7019631
2900 (200)	M 30 x 1.5	M 22 x 1.5	Spring Loaded	7016461
7250 (500)	M 30 x 1.5	M 22 x 1.5	Spring Loaded	7004607
7250 (500)	M 22 x 1.5	M 22 x 1.5	Spring Loaded	7004608
14,500 (1000)	M 22 x 1.5	M 22 x 1.5	Spring Loaded	7004609
14,500 (1000)	M 30 x 1.5	M 22 x 1.5	Spring Loaded	7011430
21,750 (1500)	M 22 x 1.5	M 22 x 1.5	Spring Loaded	7004610
21,750 (1500)	M 30 x 1.5	M 22 x 1.5	Spring Loaded	7011431
58,000 (4000)	M 26 x 1.5	M 22 x 1.5	Spring Loaded	7006378



# KAMAT ACCESSORIES

## Tank Cleaning Nozzle TWK 200/1500 Air

	U.S.	(Metric)
Flow .....	52.8 GPM.....	(200 LPM)
Pressure .....	21,750 PSI.....	(1500 bar)
Min. Man Hole ø .....	7.9" .....	(200 mm)
Min. Tube ø .....	8.7" .....	(220 mm)
Max. Air Consumption .....	33.2 ft <sup>3</sup> /min.....	(0.94 m <sup>3</sup> /min)
Water Connection .....	M14 x 1.5 DKOS Male	
Air Connection .....	4 x 1/4 FBSP	
Number of Nozzles .....	2 x 2	
Nozzle Type .....	Straight Jet Insert Nozzle, M10	
Max. Air Pressure .....	87 PSI.....	(6 bar)
Weight .....	50.7 lbs.....	(23 kg)
Connection Medium.....	M14 x 1.5 DKOS Male	

- Rotor arm positioned three-dimensionally
- During the operation the speed and direction of rotation can be adjusted from the outside
- During the operation the speed and direction of rotation for each axis can be controlled individually from the outside
- Straight lance pipes as nozzle arms
- Simple and easy nozzle arm extension possible



## KAMAT ACCESSORIES

### Surface Cleaner 3000 Air

Mobile Surface Cleaner - Pneumatically Driven

#### Applications

- Cleaning of steel surfaces
- Cleaning of floors and concrete surfaces
- Removal of paints and coatings



Part No.: 7018218

#### Technical Data

	U.S.	Metric
Max. Working Pressure:	43,500 PSI	3000 bar
Max. Capacity:	10.6 GPM	40 L/min
Connection:		M 14 x 1.5 LH left female
Working Width:	9.8"	250 mm
Weight:	121.2 lbs.	55 kg
Vacuum Fitting:		1-1/2" BSP
Max. Nozzle Quantity:		12



#### Pneumatic Drive

Speed:		0 - 1000 RPM
Air Connection:		Quick coupling for air hose ID 6
Air Requirement:	11.2 CFM	5.3 l/s
Air Working Pressure:	91 PSI	6.3 bar



#### Accessories

- Nozzle inserts M10 - Type 965
- Straight Jet Threaded Nozzles

# KAMAT ACCESSORIES

## Wall Cleaner 3000 Air

Pneumatically Driven, Hand-Held Surface Cleaner

### Applications

- Cleaning of steel surfaces (e.g. ship hulls and superstructures)
- Cleaning of concrete surfaces
- Removal of paints, graffiti and coatings



Part No.: 7018217

### Technical Data

	U.S.	Metric
Max. Working Pressure:	43,500 PSI	3000 bar
Max. Capacity:	7.9 GPM	30 L/min
Connection:		M 14 x 1.5 LH female
Working Width:	7.9"	200 mm
Weight:	24.3 lbs.	11 kg
Vacuum Fitting:		1-1/2" BSP
Max. Nozzle Quantity:		12



### Pneumatic Drive

Speed:		0 - 3000 RPM
Air Connection:		Quick coupling for air hose ID 6
Air Requirement:	10.6 CFM	5.0 l/s
Air Working Pressure:	91 PSI	6.3 bar



### Accessories

- Nozzle inserts M10 - Type 965  
Straight Jet Threaded Nozzles
- Spring loaded weight balancing toll holder allowing for attachment to anchoring wire.

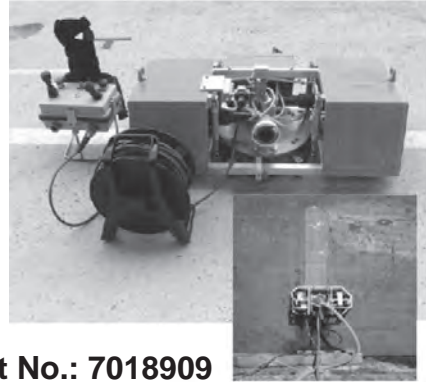
## KAMAT ACCESSORIES

### Wall Crawler

Automatic Surface Cleaner, Pneumatically Driven

Rugged Construction - High Capacity  
 Compact - Ease of Maintenance  
 Larger Cleaning Area - Powerful Drive Unit

Developed for a wide range of steel cleaning applications. It has proven to be an excellent choice for cleaning the surfaces of a variety of steel structures such as tanks, vessels and ship's hulls.



Part No.: 7018909

### Technical Data

	U.S.	Metric
Max. Working Pressure:	43,500 PSI	3000 bar
Max. Capacity:	10.6 GPM	40 L/min
Cleaning width (dia):	11.8" to 13.8"	300-350 mm
Swivel Unit Diameter:	18.1"	460 mm
Length of Unit:	37"	640 mm
Medium Used:		water
Maximum Temperature:	122 °F	50 °C
High Pressure Fitting:		M14 x 1.5 LH
Weight:	143 lbs.	65 kg
Min Air Pressure Req.:	87 PSI	6 bar
Cleaning Speed:	14.8 ft/min	4.5 m/min
Air Flow Req:		25 L/s
(Filtered & Oiled)		
Filtration:		5 microns
Number of Nozzles:		Max. 12
Type of Nozzle Inserts:		Form 0965
Control Voltage (Std.):		24 VDC

### Construction

Surrounded by a sturdy aluminum frame, the SHC 3000 cleans successfully in both the horizontal and vertical positions. Built-in magnets ensure that the SHC 3000 keeps a firm grip on the steel surface being cleaned. To allow for cleaning in tight spaces, the swivel unit can be easily separated from the aluminum frame.

The core of the system is a pneumatically-driven swivel joint which activates the nozzle arms in the housing and sets them in rotation. The speed of the built-in air motor is steplessly adjustable to achieve optimum cleaning efficiency.

Welded seams and uneven surfaces on the object to be cleaned do not pose any problem for the SHC 3000. An additional feature is the ability to fit a vacuum device to the unit which allows for the removal of debris by suction. (Reference Kamvac #7014096).

The SHC can be operated via a remote control console. Pressure can be switched on and off and the speed and direction of the unit can also be regulated.

As an additional safeguard, to prevent the machine from slipping off the surface, there is an attachment on the frame for connecting steel cables.

#### OPTIONAL:

- Safety guard: Reel with 82ft (25m) of cable.
- External power supply - Power pack, 230 VAC / 24 VDC with 16ft (5m) cable and plug.
- Cable reel with 164ft (50m) cable for power supply to the remote control console.

#### Part. No.

- 7013586
- 7019756
- 7008272

# KAMAT ACCESSORIES

## Vacuum Unit

Compact, mobile vacuum device with filter separator and dirty-water return pump in a weather-proof, rugged design and height-adjustable frame.

### FOR SUCTION OF FLUIDS AND SOLIDS

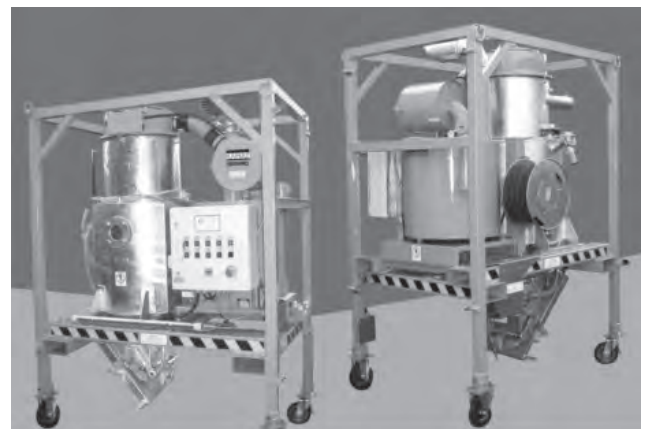
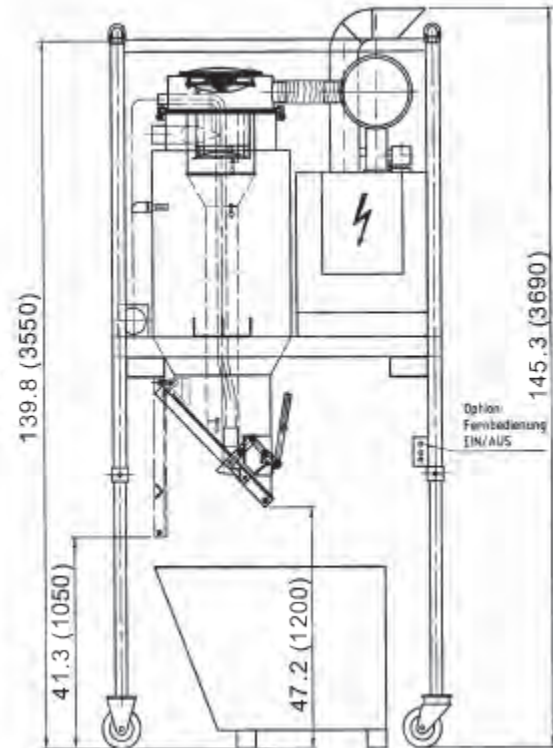
Ideally suited for use with the **XPSHC 2500 & 3000** Surface Cleaners, using hoses up to a maximum distance of 164 ft. (50 m).

### Information

- Height-Adjustable supports with fixed and steering rollers, with space below for a 265 gallon (1,000 L) collection container.
- Draining via shuttle valve.
- 100 mm screen filtration for separation of fluids and solids.
- Level indicator for fluids and solids.
- Float valve for return pump - on/off
- 11 kW suction unit with side-channel vacuum pump, vacuum limiter and safety valve.
- Dirty water return pump - approx. 528 gallon/hour (2,000 L/hour) with Stortz D-coupling in outlet, non-return valve and ball valve.
- Suction fitting DN 100 MV / 60K
- Electric controls with outlet - 230V / 50 Hz / 16A
- Supply voltage 400V / 50 Hz (440V / 60 Hz Available)
- Control voltage 24V / 50Hz
- Auxillary contacts for on/off switching via remote control
- Cable reel with 164 ft. (50 m) cable and plug

### Optional Equipment

Part No.	Description
7014097	Suction hose DN60 x 32ft. (9.75 m) with connector
7014098	Coupling piece DN60 for hose connection
7014099	Suction hose DN50 x 32ft. (9.75 m)



Part No.: 7014096



## Thank you

Giant Industries would like to take a moment to thank all of our employees, customers and vendors without whom our success would not be possible.

We value and appreciate all the people with whom we do business.

We look forward to serving you, so that we can help you achieve your goals.

# Giant Industries Limited Warranty

Giant Industries, Inc. pumps and accessories are warranted by the manufacturer to be free from defects in workmanship and material as follows:

1. For portable pressure washers and car wash applications, the discharge manifolds will never fail, period. If they ever fail, we will replace them free of charge. Our other pump parts, used in portable pressure washers and in car wash applications, are warranted for five years from the date of shipment for all pumps used in NON-SALINE, clean water applications.
2. One (1) year from the date of shipment for all other Giant industrial and consumer pumps.
3. Six (6) months from the date of shipment for all rebuilt pumps.
4. Ninety (90) days from the date of shipment for all Giant accessories.

This warranty is limited to repair or replacement of pumps and accessories of which the manufacturer's evaluation shows were defective at the time of shipment by the manufacturer. The following items are NOT covered or will void the warranty:

1. Defects caused by negligence or fault of the buyer or third party.
2. Normal wear and tear to standard wear parts.
3. Use of repair parts other than those manufactured or authorized by Giant.
4. Improper use of the product as a component part.
5. Changes or modifications made by the customer or third party.
6. The operation of pumps and or accessories exceeding the specifications set forth in the Operations Manuals provided by Giant Industries, Inc.

Liability under this warranty is on all non-wear parts and limited to the replacement or repair of those products returned freight prepaid to Giant Industries which are deemed to be defective due to workmanship or failure of material. A Returned Goods Authorization (R.G.A.) number and completed warranty evaluation form is required prior to the return to Giant Industries of all products under warranty consideration. Call (419)-531-4600 or fax (419)-531-6836 to obtain an R.G.A. number.

Repair or replacement of defective products as provided is the sole and exclusive remedy provided hereunder and the MANUFACTURER SHALL NOT BE LIABLE FOR FURTHER LOSS, DAMAGES, OR EXPENSES, INCLUDING INCIDENTAL AND CONSEQUENTIAL DAMAGES DIRECTLY OR INDIRECTLY ARISING FROM THE SALE OR USE OF THIS PRODUCT.

The limited warranty set forth herein is in lieu of all other warranties or representation, express or implied, including without limitation any warranties or merchantability or fitness for a particular purpose and all such warranties are hereby disclaimed and excluded by the manufacturer.

## RETURNED GOODS POLICY

Credit for any merchandise to be returned is subject to approval from Giant Industries. Credit will be issued to the original purchaser only and will be applied directly to your account. Under no circumstances will credits be given on a cash basis. Credit will be based upon the price of the merchandise, less the given discount at the time of purchase.

## TERMS:

1. Any pump, part or accessory may be returned up to 45 days from the date of shipment with no restocking charge, providing the product is in good condition and has not been used or damaged.
2. Merchandise returned between 45 days and one year, providing the total is below \$2500, will be subject to a 25% restocking charge. For larger dollar amounts, a negotiable restocking charge may be assessed.
3. We regret the fact that elastomers and obsolete parts will not be accepted for credit beyond the 45 day period (as stated in item #1).
4. Giant Industries reserves the right to amend or cancel any or all portions of this policy at any time.

## Terms and Conditions

- All prices subject to change without notice. ■ Minimum invoice: \$25. ■ Payment Terms: 2% 10 Net 30 with prior credit approval.
- Late Penalty Charge- 1-1/2% monthly interest penalty will be assessed on all due accounts. ■ Method of Shipment- All orders will be shipped F.O.B. Toledo, Ohio. Orders without specific shipping instructions will be shipped by the most efficient method possible.
- Drop Shipments- Giant Industries, Inc. will not drop-ship orders as a normal course of business. Orders requiring emergency rush shipment will be drop-shipped under the following conditions:
  1. No C.O.D. shipment
  2. \$25 Net Minimum Invoice
  3. Only Accounts with established credit will be considered for emergency drop shipments.
  4. A \$10 invoice up charge will be assessed for drop shipments.

**GIANT**  
Performance Under Pressure

Giant Industries, Inc.  
900 N. Westwood Ave  
Toledo, Ohio 43607  
419-531-4600  
419-531-6836 (fax)  
www.giantpumps.com