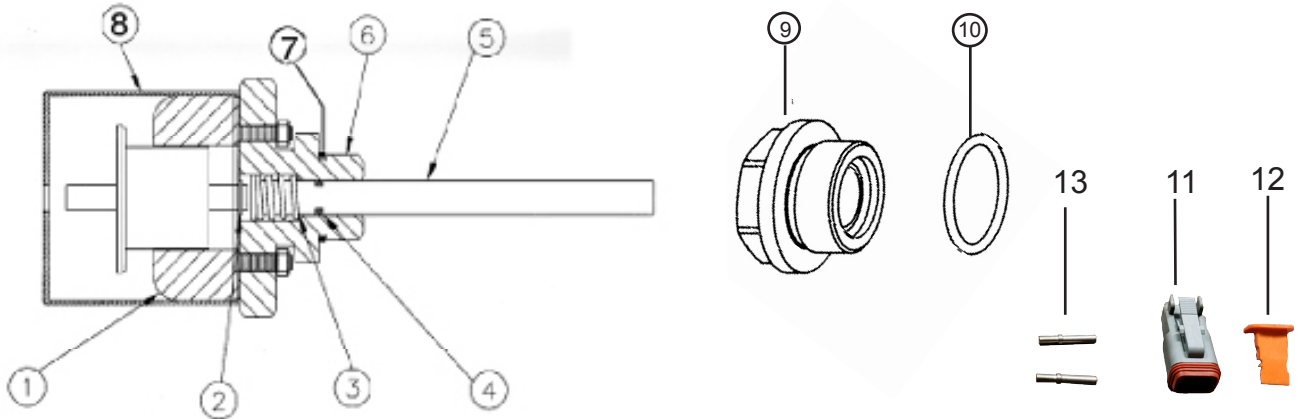


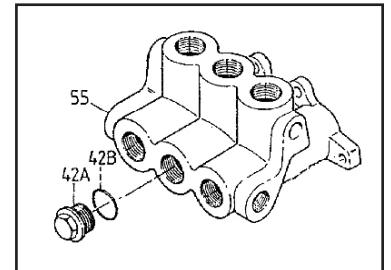
Model 22734S(B)-DC

Electric Pulsator Valve

For use with MP4120/MP4124 pumps



Item	Part #	Description	Quantity
1	06940	Solenoid	1
2	05155	E-Clip	1
3	12328	Return Spring	1
4	07937	O-Ring	1
5	06497SS	Pulsator Rod	1
6	06499S	Nut	1
7	08541	Seal Ring, 1/2"	1
8	06979	Cover for Solenoid	1
9	05346	Valve Plug	1
10	07332	O-Ring	1
11	03033	Plug, 2 Position, Gray (22734SB-DC only)	1
12	03034	Wedge Lock (22734SB-DC only)	1
13	03035	Socket, Solid, Size 16 (22734SB-DC only)	2



MP4120 / MP4124
Valve Casing

*Note: Before installation move #5 pulsator rod a few times as assembly grease may set during shipping.

ASSEMBLY OF THE 22734S(B)

- 1) Remove plug (42A) and steel ring (42B) from center inlet port of the valve casing (55).
- 2) Thread complete pulsator valve into the center inlet port of the valve casing (55).
- 3) If a cover (8) is required, thread wires through exit hole and snap onto nut (6). Note: Do not rotate cover (8).

GIANT

Performance Under Pressure

Giant Industries, Inc.
900 N. Westwood Ave.
Toledo, Ohio 43607
419-531-4600
419-531-6836 Fax
www.giantpumps.com