



Performance Under Pressure



K2500 Spray Dump Gun

- HP - Gun complete with spray tube 29.5 in. (750 mm), handle, hose connector M 14x1.5 LH, bypass tube 15.7 in. (400 mm) and nozzle holder for insert nozzles



Part no. 7016690

Optional Equipment:

-without spray tube, bypass tube and nozzle holder



Part no. 7016762

Additional Equipment:

-Shoulder support
-Initiator for remote control



Part no. 7009215



Part no. 7017928

Technical Data

	U.S.	Metric
Max. Working Pressure:	36,250 PSI	2500 bar
Max. Capacity:	7.9 GPM	30 L/min
Connection:		M 26x1.5 female (with pressure ring M 14x1.5 LH and pressure screw M 26x1.5)
Total Length:	39.4"	1000 mm
Weight (complete)	7.5 lbs.	3.4 kg
Weight (without spray tube and bypass tube):	6.8 lbs.	3.1 kg
Temperature:	max. 122 °F	max. 50 °C
Usable Nozzle Inserts:		-Insert nozzles Type 0952 -Rotating nozzle PRD 3500 -Nozzle heads DK1 - DK4 for PRD 3500 -Orbital nozzle KOD 2500

Applications

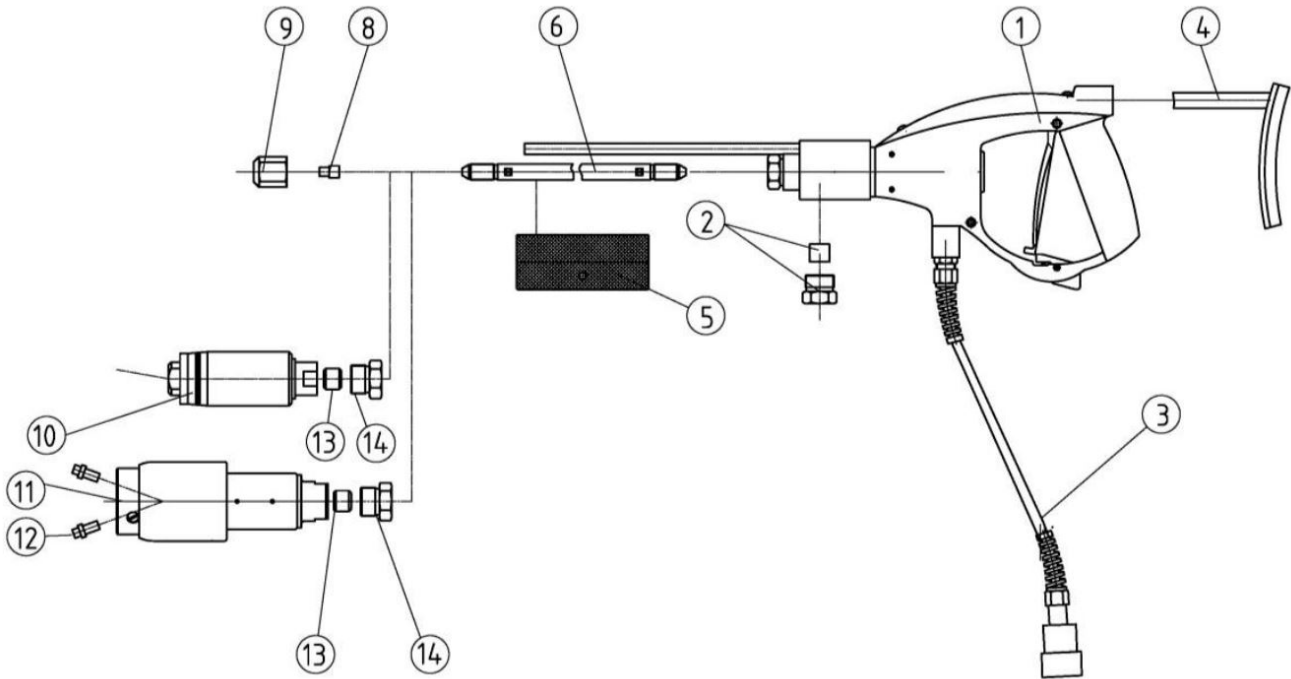
For manual surface cleaning of all types of forms and materials with nozzle.



For hand-help operation of a spray gun the nozzle diameter must be selected to ensure that the reaction force in the longitudinal axis when used at the maximum operating pressure does not exceed 56.2 lbs.-force (250 N). If the reaction force is in excess of 33.7 lbs.-force (150 N) the gun must be equipped with a support.

Giant Industries, Inc.
900 N. Westwood Ave.
Toledo, OH 43607
(419) 531-4600
(419) 531-6836
www.giantpumps.com

K2500 Accessories and Spare Parts



Item	Description	Part No.
1	Gun handle	see other side
2	Pressure ring M 14x1.5 LH Pressure screw M 26x1.5	7006365 7006364
3	Initiator for remote control	7017928
4	Shoulder support	7009215
5	Handle	7011950
6	Gun tube M 14x1.5 LH (29.5") 750 mm (19.7") 500 mm (39.4") 1000 mm	7006963 7006964 7006382
8	Insert nozzle Type 0952	see Straight Jet Insert nozzles - Form A & B
9	Cap nut for insert nozzle	1051600
10	Orbital nozzle KOD 2500	see KOD Literature
11	Rotating nozzle PRD 3500 Nozzle heads DK1 - DK4	see PRD 3500 Literature
12	Straight jet threaded nozzle Type 0964 - M 10	see Straight Jet Threaded Nozzle Literature
13	Pressure ring M 14x1.5 LH	7006365
14	Pressure screw M 26x1.5	7006364