

## K1500 Spray Dump Gun

- High Pressure Gun complete with spray tube 29.5 in. (750 mm), handle, hose connector M 24x1.5 DKO, bypass tube 15.7 in. (400 mm) and nozzle holder for insert nozzles



### Optional Equipment:

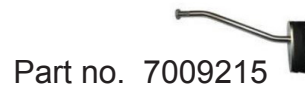
- without spray tube and nozzle holder



Part no. 7010510

### Additional Equipment:

- Shoulder support
- Initiator for remote control



Part no. 7017928

## Technical Data

	<u>U.S.</u>	<u>Metric</u>
Max. Working Pressure:	21,750 PSI	1500 bar
Max. Capacity:	10.6 GPM	40 L/min
Connection:		M 24x1.5 DKO
Total Length:	39.4"	1000 mm
Weight (complete):	7.5 lbs.	3.4 kg
Weight (without spray tube and bypass tube):	6.8 lbs.	3.1 kg
Temperature:	max. 122 °F	max. 50 °C
Usable Nozzle Inserts:	<ul style="list-style-type: none"><li>Straight or Fanjet Insert nozzles Form A+B and C</li><li>Rotating nozzle PRD 3500</li><li>Nozzle heads DK1 - DK4 for PRD3500</li><li>Orbital nozzle KOD 1500</li></ul>	

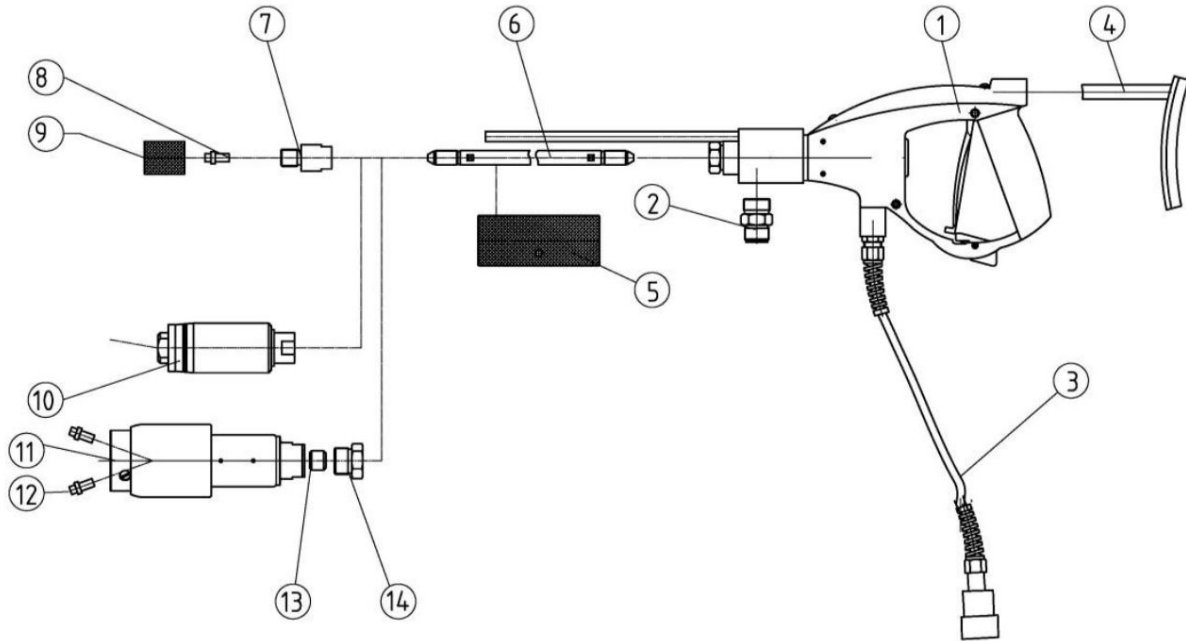
## Applications

For manual surface cleaning of all types of forms and materials with nozzle.



For hand-help operation of a spray gun the nozzle diameter must be selected to ensure that the reaction force in the longitudinal axis when used at the maximum operating pressure does not exceed 56.2 lbs.-force (250 N). If the reaction force is in excess of 33.7 lbs.-force (150 N) the gun must be equipped with a support.

## K1500 Accessories and Spares



Item	Description	Part No.
1	Gun Handle	see other side
2	Hose connection adapter M 22x1.5 DKO Hose connection adapter M 24x1.5 DKO	7013332 7009213
3	Initiator with 2m cable for remote control	7017928
4	Shoulder support	7009215
5	Handle	7011949
6	Gun tube 750 mm 500 mm 1000 mm	7006963 7006964 7006382
7	Adapter for nozzle insert	7009549
8	Insert nozzle	see straight or fanjet insert nozzle literature
9	Cap nut for insert nozzle	1051600
10	Orbital nozzle KOD	see KOD nozzle literature
11	Rotating nozzle PRD 3500 Nozzle heads DK1 - DK4 for PRD 3500 Nozzle ø selection table for DK1 - DK4	see PRD 3500 literature see literature see page literature
12	Straight jet insert nozzle Form A + B	see straight or fanjet nozzle literature