

Model 21515

Foot Valve

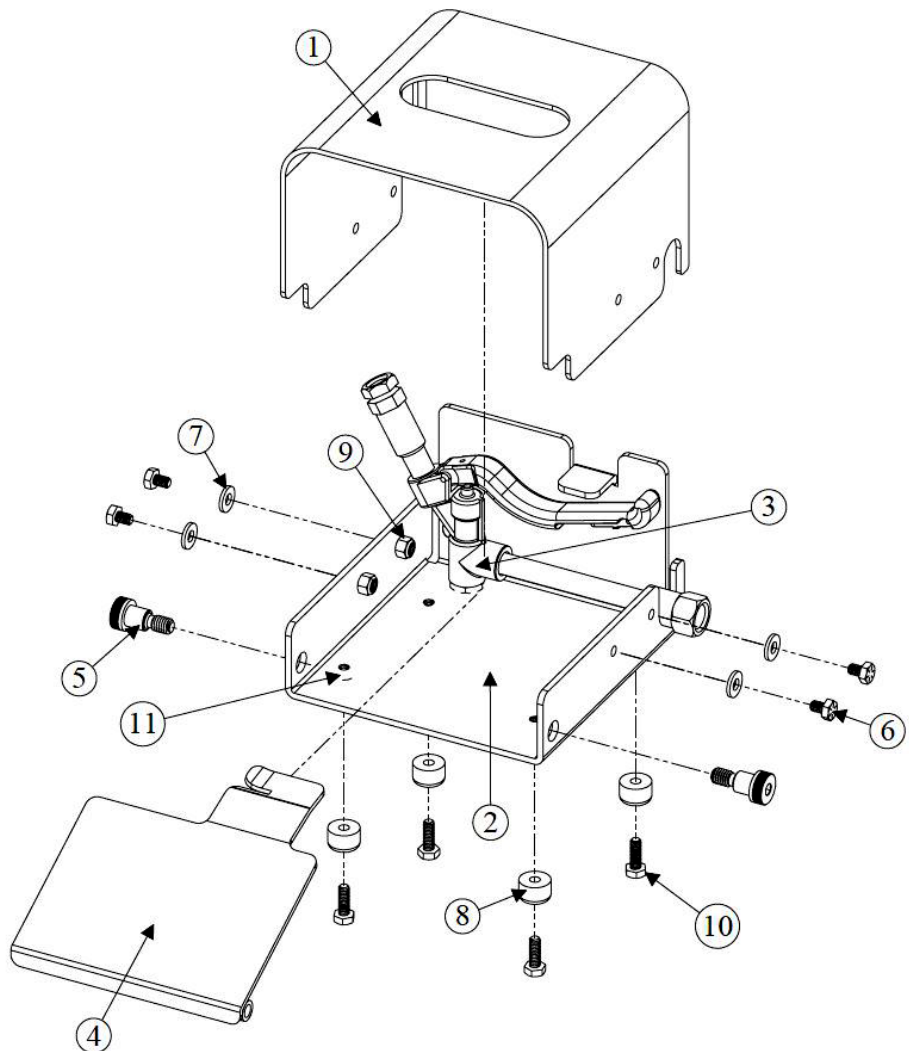
OPERATING SPECIFICATIONS

	<u>U.S.</u>	<u>Metric</u>
Max. Flow:	10 GPM	38 L/min
Max. Pressure:	5000 PSI	345 Bar
Max. Temp.:	300 °F	149 °C
Inlet Port:		3/8" FNPT
Outlet Port:		1/4" FNPT
Dimensions:	7" (w) x 7" (l) x 6" (h)	
Weight:	10.3 lbs.	4.7 kg

Parts List

Item	Part#	Description	Qty
1	04875	Foot Valve Cover	1
2	04876	Foot Valve Base	1
3	21424	Valve Body	1
4	04877	Foot Valve Pedal	1
5	03167	3/8-18 Shoulder Bolt	2
6		1/4-20 Hex Head Bolt	4
7		1/4 Flat Washer	4
8	03166	Rubber Bumper	4
9		1/4-20 Lock Nut	4
10		1/4-20 Hex Head Bolt	4
11		1/4-20 Hex Nut	4

Repair Kit - p/n 21227



GIANT

Performance Under Pressure

Giant Industries, Inc.
900 N. Westwood Ave.
Toledo, OH 43607
419-531-4600

Fax: 419-531-6836

www.giantpumps.com

©2019 Giant Industries, Inc.