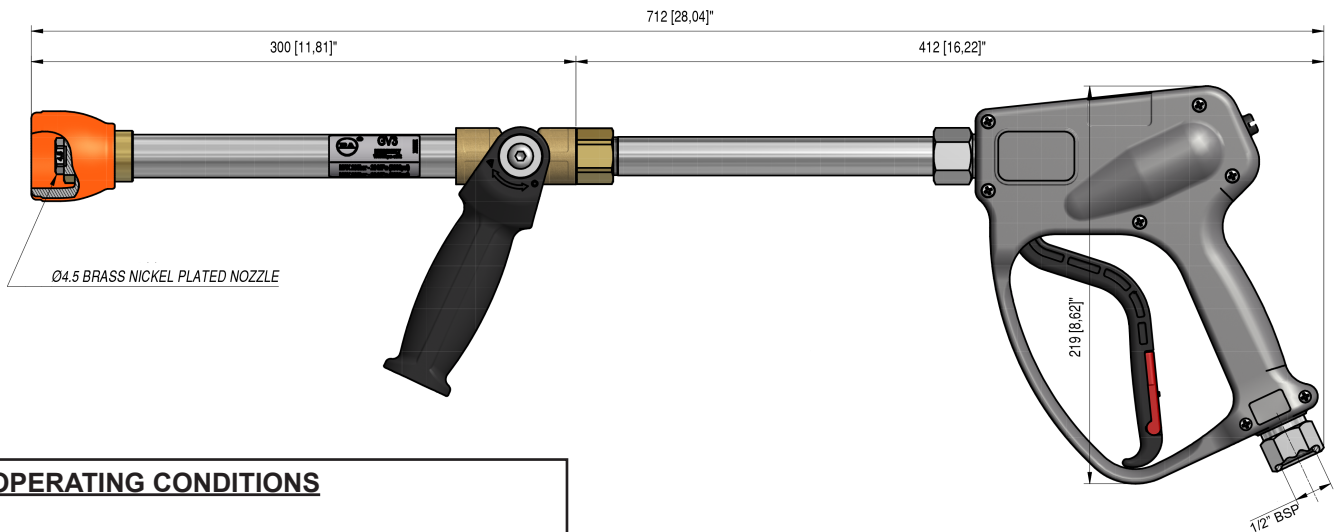


Series 21920-XX

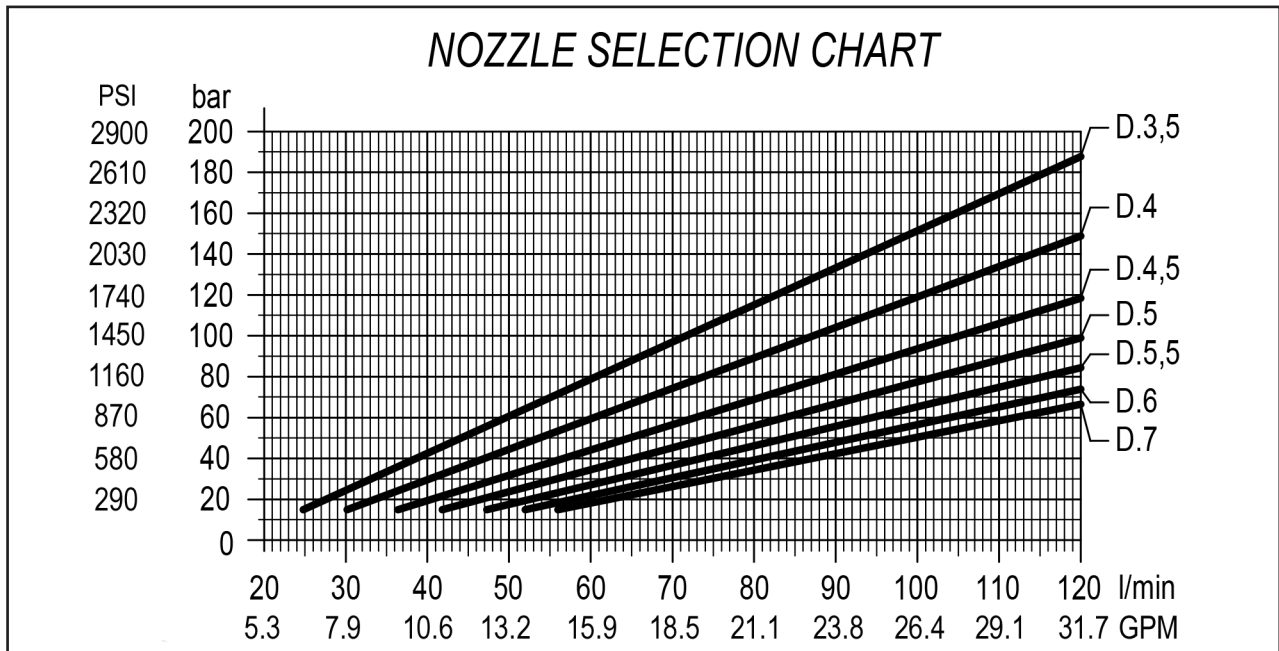
Long Range Shut-Off Gun Assembly



OPERATING CONDITIONS

Maximum Flow:	32 GPM (120 L/min)
Rated Pressure:	1740 PSI (120 Bar)
Permissible Pressure:	1958 PSI (135 Bar)
Maximum Temp.:	140 °F (60 °C)
Inlet Port:	1/2" BSP
Weight:	5.3 lbs. (2.4 kg)

NOZZLE SELECTION CHART



GIANT

Performance Under Pressure
900 N. Westwood Ave.
Toledo, OH 43607
419-531-4600
419-531-6836 (f)
www.giantpumps.com
©2018 Giant Industries, Inc.

Ordering: Select the flow and pressure you need in the chart above, then find the corresponding nozzle. For example, a 32 GPM (120 L/min) @ 1740 PSI (135 bar) would require a #4.5 nozzle with insert. Therefore, the assembly number would be 21920-45.