

# CP460 PARTS LIST

<u>ITEM</u>	<u>PART</u>	<u>DESCRIPTION</u>	<u>QTY.</u>	<u>ITEM</u>	<u>PART</u>	<u>DESCRIPTION</u>	<u>QTY.</u>
1	CP08377	Crankcase	1	20	CP05938	Seal Adapter	3
2	CP08378	Oil Fill Plug with Gasket	1	20A	CP04761	Seal Case	1
3	CP06479	Crankcase Cover	1	21	CP07266-0003	O-Ring	3
3A	CP07186	Oil Sight Glass w/Gasket	1	23	CP04762	Grooved Seal Packing	3
4	CP08380	O-Ring	1	23B	CP06483-0020	Gooved Seal, Teflon	3
5	CP07109	Oil Drain Plug	1	24	CP04582	Guide Ring	3
5A	CP06015	O-Ring	1	25	CP06485	Seal Case	3
5B	CP08092	Plug with Gasket	1	25A	CP04764	Support Ring	6
6	CP01010	Screw	4	25B	CP06818	O-Ring	6
6A	CP01011-0400	Spring Washer	4	26	CP04874	Valve Casing	1
7	CP04739	Bearing Cover, Open	1	26A	CP04767	Set Screw	2
8	CP05291	Bearing Cover, Closed	1	27A	CP05543-0003	Valve Assy.	6
8A	CP05292	Shim	1-3			(Includes items 27-31)	
8B	CP05293	Shim	1-3	27	CP05541	Valve Seat	6
8C	CP05964	Shim*	1-3	28	CP05542	Valve Plate	6
9	CP01016	O-Ring	2	29	CP07906	Valve Spring	6
10	CP07114	Screw with Washer	8	30	CP07907	Spring Tension Cap	6
11	CP07459	Radial Shaft Seal	1	31	CP07770-0003	O-Ring	6
12	CP05350	Bearing	2	32	CP08406-0100	Plug	3
13	CP04741	Crankshaft	1	33	CP05545-0003	O-Ring	3
13A	CP04742	Spacer Ring	1	34	CP06494	Cap Screw	8
14	CP08091	Fitting Key	1	36	CP04369	Plug, 3/8" BSP	1
15	CP08390	Connecting Rod Assy.	3	37	CP08486	Copper Washer	1
16	CP06480	Plunger Assembly	3	38	CP07109-0400	Plug, 1/2" BSP	1
17	CP06790	Crosshead Pin	3	39	CP06272	Copper Washer	1
19	CP05444	Radial Shaft Seal	3				

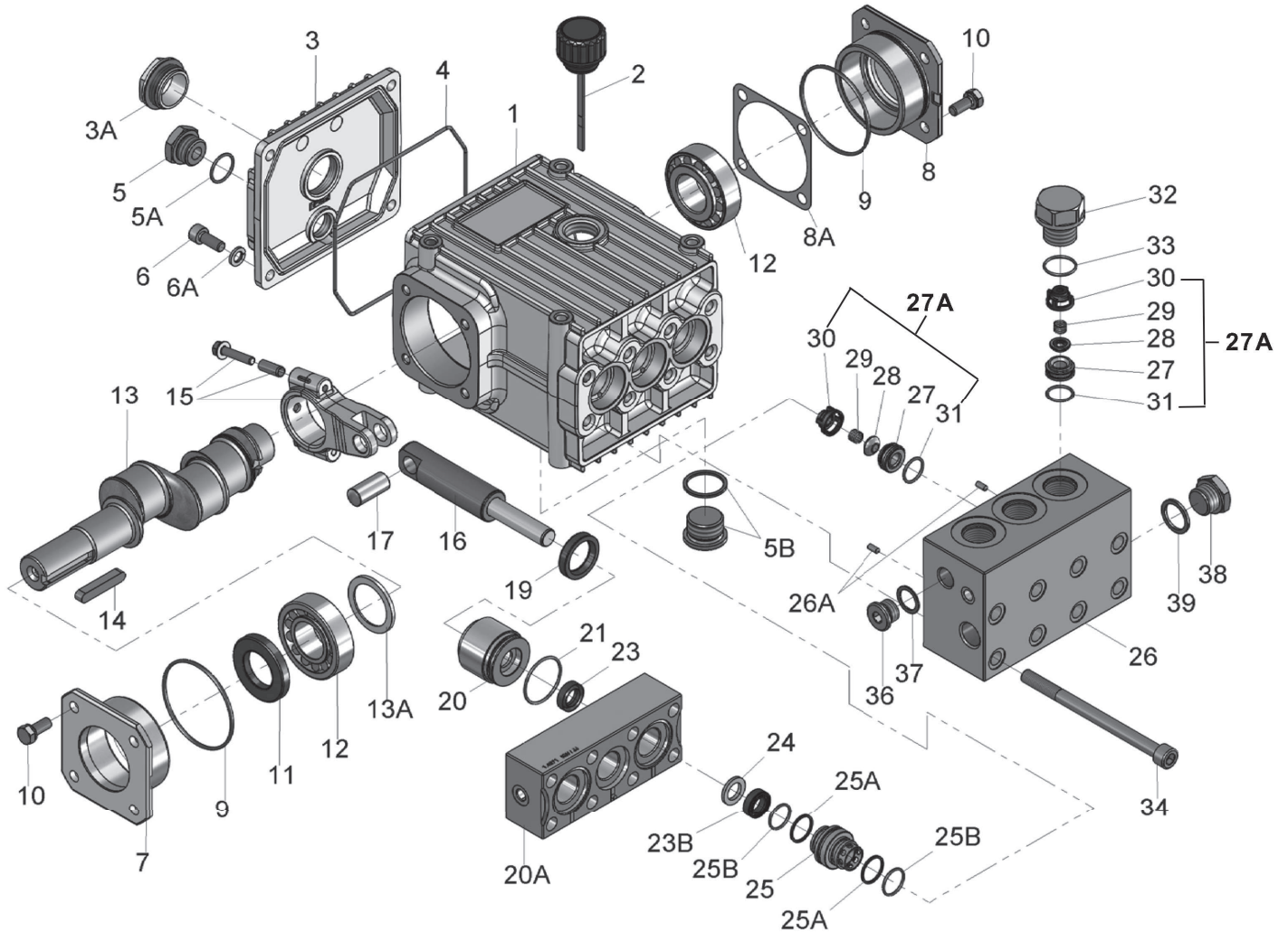
\*May not be present

## CP460 TORQUE SPECIFICATIONS

<u>Item</u>	<u>Part #</u>	<u>Description</u>	<u>Lubrication Info</u>	<u>Torque Amount</u>
3A	CP07186	Oil Sight Glass w/Gasket	Loctite 5910	106 in.-lbs. (12 Nm)
5	CP07109	Oil Drain Plug		59 ft.-lbs. (80 Nm)
5B	CP08092	Plug with Gasket		59 ft.-lbs. (80 Nm)
10	CP07114	Screw with Washer		132 in.-lbs. (15 Nm)
15	CP08390	Connecting Rod Assembly		97 in.-lbs. (11 Nm)
21	CP07266-0003	O-Ring	Silicone Grease Only	
31	CP07770-0003	O-Ring	Silicone Grease Only	
32	CP08406-0100	Plug	Pro Pack 550	110 ft.-lbs. (150 Nm)
33	CP05545-00033	O-Ring	Silicone Grease Only	
34	CP06494	Cap Screw		30 ft.-lbs. (40 Nm)

# Exploded View - CP460

**Note: Do not use mineral oil on seals and o-rings.  
Use silicone grease only.**



## CP460 REPAIR KITS

### Plunger Packing Kits

Part # CP09499-0023

Item	Part #	Description	Qty.
21	CP07266-0003	O-Ring	3
23	CP04762	Grooved Seal Packing	3
23B	CP06483-0020	Grooved Seal, Teflon	3
24	CP04582	Pressure Ring	3
25A	CP04764	Support Ring	6
25B	CP06818	O-Ring	6

### Valve Assembly Kits

Part # CP09498-0003

Item	Part #	Description	Qty.
27A	CP05543	Valve Assembly	6
33	CP05545-0003	O-Ring	3

### Oil Seal Kit

Part # CP09641

Item	Part #	Description	Qty.
19	CP05444	Oil Seal	3