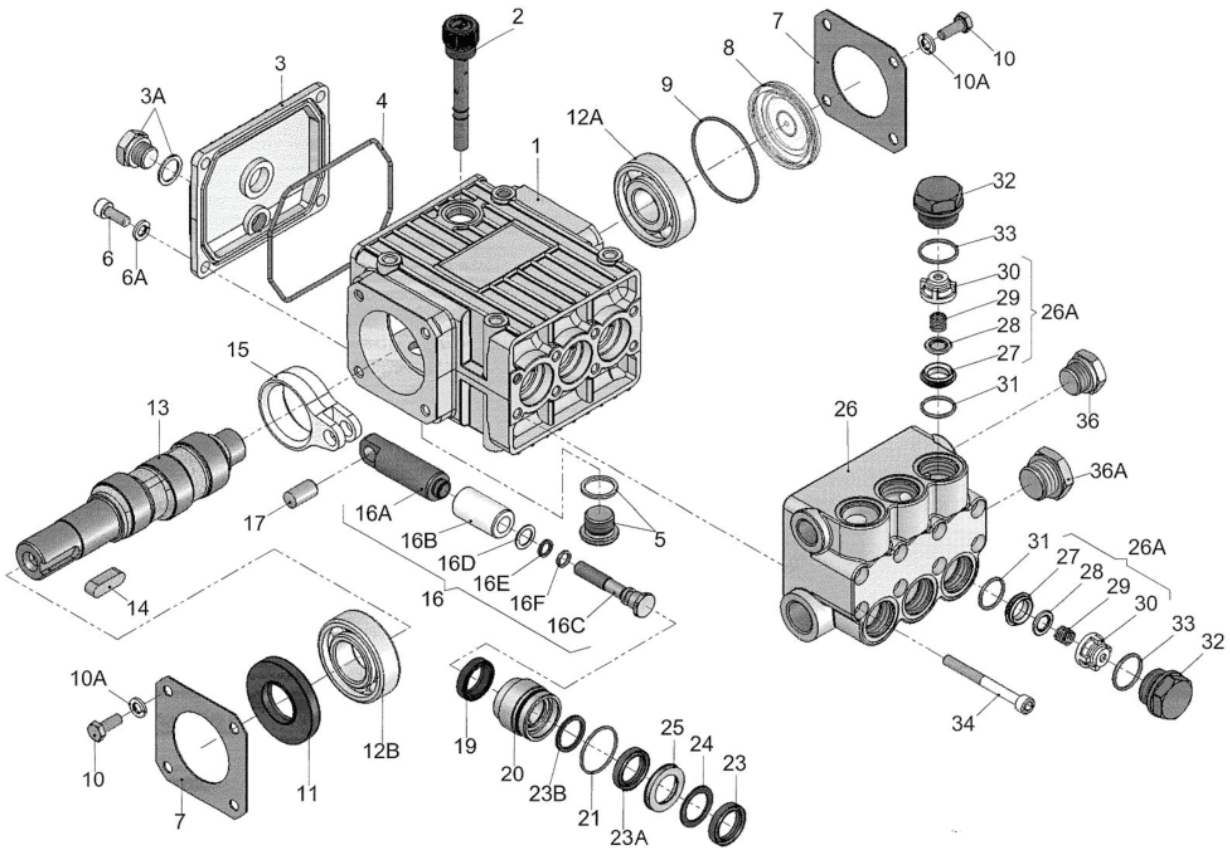


Exploded View - CP218/CP220/CP230-5123 Pumps



CP218/CP220/CP230-5123 Pump Spare Parts

<u>Item</u>	<u>Part No.</u>	<u>Description</u>	<u>Qty.</u>	<u>Item</u>	<u>Part No.</u>	<u>Description</u>	<u>Qty.</u>
1	CP08300C	Crankcase	1	16D	CP07204-0100	Copper Gasket	3
2	CP08301	Oil Dipstick with O-Ring	1	16E	CP07203	Support Ring	3
3	CP08302	Crankcase Cover, Short	1	16F	CP07023	O-Ring	3
3A	CP07190-0100	Drain Plug & Gasket	1	17	CP08442	Wrist Pin	3
4	CP08005	O-Ring	1	19	CP08356	Oil Seal	3
5	CP08185-0100	Oil Drain Plug w/seal	1	20	CP08444A-0100	Seal Case	3
6	CP07188-0100	Screw, Crankcase Cover	4	21	CP06815	O-Ring	3
6A	CP07223-0100	Spring Washer	4	23	CP08087	V-Sleeve, Weep	3
7	CP08303	Bearing Cover	2	23A	CP08087-0020	V-Sleeve, Teflon	3
8	CP08491	Oil Sight Glass	1	23B	CP06163	Drip Shield	3
9	CP07193	O-Ring	1	24	CP07904	Pressure Ring	3
10	CP07225-0100	Screw with Lock Washer	8	25	CP08445-0100	Weep Return Ring	3
10A	CP07223-0100	Spring Washer	8	26	CP06582-5000	Valve Casing	1
11	CP08331	Radial Shaft Seal	1	26A	CP04273	Valve Assembly (Includes 27-31)	6
12A	CP04917	Ball Bearing	1	27	CP07849-0100	Valve Seat	6
12B	CP01086	Ball Bearing	1	28	CP06809	Valve Plate	6
13	CP03026	Crankshaft (CP217)	1	29	CP06816	Valve Spring	6
13	CP04920	Crankshaft (CP218)	1	30	CP07907	Valve Spring Retainer	6
13	CP04919	Crankshaft (CP220)	1	31	CP06817	O-Ring	6
13	CP04918	Crankshaft (CP230)	1	32	CP07928-0100	Valve Plug	6
14	CP06207	Fitting Key	1	33	CP06818	O-Ring	6
15	CP08333	Connecting Rod	3	34	CP08316-0100	Hex Head Cap Screw	8
16	CP08469-0100	Plunger, Complete	3	36	CP12138	Plug, 3/8" BSP	1
16A	CP08468-0100	Plunger Base	3	36A	CP07109-0400	Plug, 1/2" BSP	1
16B	CP08455	Plunger Pipe	3				
16C	CP08456-0100	Tension Screw	3				

CP218/CP220/CP230-5123 Pump Repair Kits

Valve Assembly Kit

Part # CP09556-0123

<u>Item #</u>	<u>Part #</u>	<u>Description</u>	<u>Qty.</u>
26A	CP04273	Valve Assembly, Complete	6
31	CP06817	O-Ring	6
33	CP06818	O-Ring	6

Oil Seal Kit

Part # 09144

<u>Item #</u>	<u>Part #</u>	<u>Description</u>	<u>Qty.</u>
19	CP08356	Oil Seal	3

Plunger Packing Kit

Part # CP09554-5123

<u>Item #</u>	<u>Part #</u>	<u>Description</u>	<u>Qty.</u>
21	CP06815	O-Ring	3
23	CP08087	V-Sleeve, weep	3
23A	CP08087-0020	V-Sleeve, brown	3
23B	CP06163	Drip Shield	3
24	CP07904	Pressure Ring	3

Pump Torque Specifications

<u>Item</u>	<u>Part No.</u>	<u>Description</u>	<u>Lubrication</u>	<u>Torque Amount</u>
3A	07190	Drain Plug		22 ft.-lbs. (30 Nm)
5	06273	Oil Drain Plug w/Gasket		22 ft.-lbs. (30 Nm)
6	07188	Screw, Short Cover		88 in.-lbs. (10 Nm)
10	07225	Screw w/Lock Washer		88 in.-lbs. (10 Nm)
16C	08456	Tension Screw	Loctite 243	200 in.-lbs. (22.5 Nm)
16D	07676	Copper Gasket	Loctite 243	N/A
32	07928	Valve Plug	Loctite 243	55 ft.-lbs. (75 Nm)
34	08316	Hex Head Cap Screw		106 in.-lbs. (12 Nm)

CAUTION: EPDM o-rings must not come into contact with mineral oil or mineral grease. Use silicone grease only.

Preventative Maintenance Check List & Recommended Spare Parts List

Check	Daily	Weekly	50 Hrs.	Every 500 Hrs	Every 1500 Hrs	Every 3000 Hrs
Oil Level/Quality	X					
Oil Leaks	X					
Water Leaks	X					
Belts, Pulley		X				
Plumbing		X				
Recommended Spare Parts						
Oil Change See page 2			X	X		
Plunger Packing Kit (1 kit/pump) See above					X	
Oil Seal Kit (1 kit/pump) See above					X	
Valve Repair Kit (1 kit/pump) See above						X