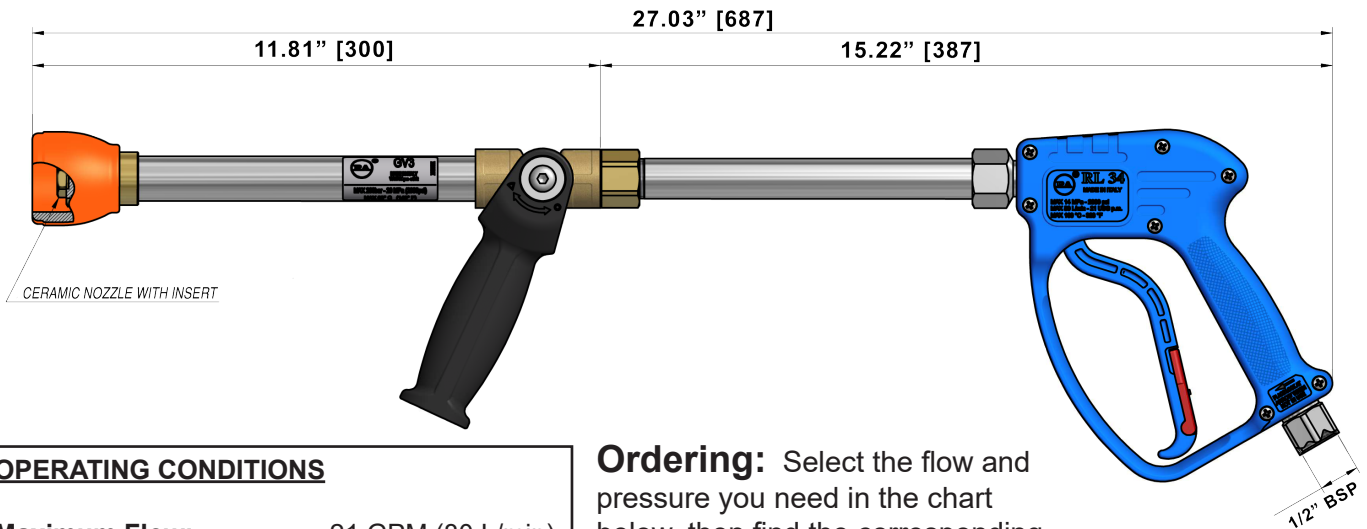


Series 21910-XX

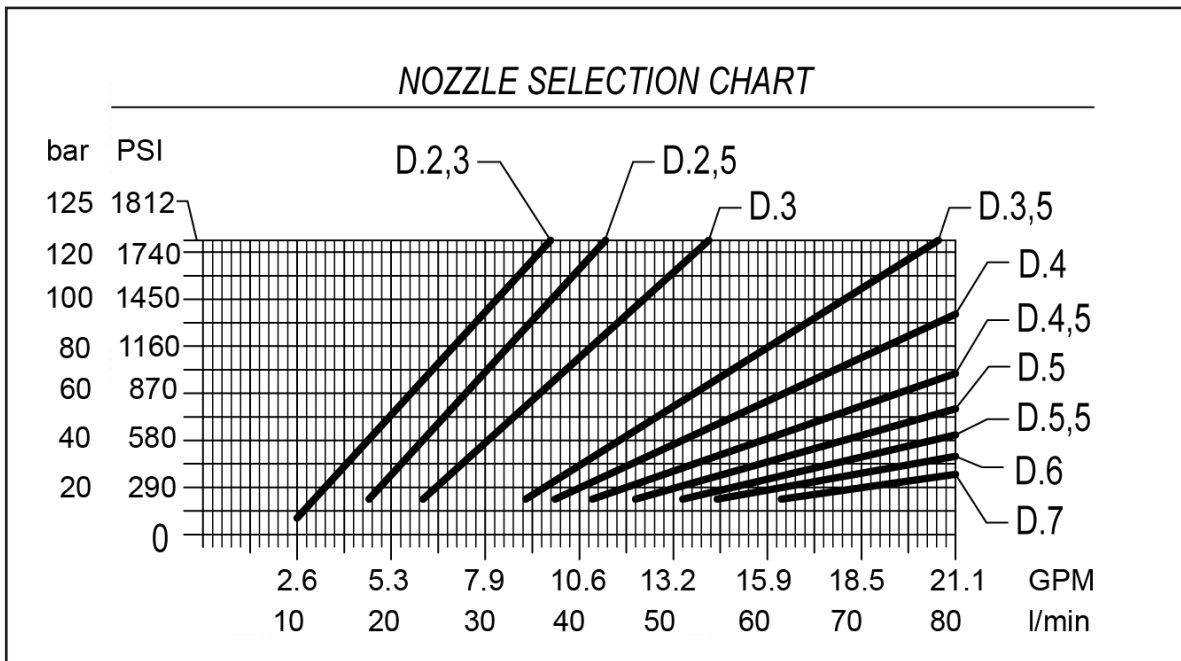
Long Range Shut-Off Gun Assembly



OPERATING CONDITIONS

Maximum Flow:	21 GPM (80 L/min)
Rated Pressure:	2600 PSI (180 Bar)
Permissible Pressure:	2900 PSI (200 Bar)
Maximum Temp.:	140 °F (60 °C)
Inlet Port:	1/2" BSP
Weight:	3.8 lbs. (1.7 kg)

Ordering: Select the flow and pressure you need in the chart below, then find the corresponding nozzle. For example, a 15.9 GPM (60 L/min) @ 1160 PSI (80 bar) would require a #3.5 nozzle with insert. Therefore, the assembly number would be 21910-35.



GIANT

Performance Under Pressure
900 N. Westwood Ave.
Toledo, OH 43607
419-531-4600
419-531-6836 (f)
www.giantpumps.com
©2024 Giant Industries, Inc.



WARNING: This product might contain a chemical known to the State of California to cause cancer, and birth defects or other reproductive harm. For more information go to www.P65Warnings.ca.gov