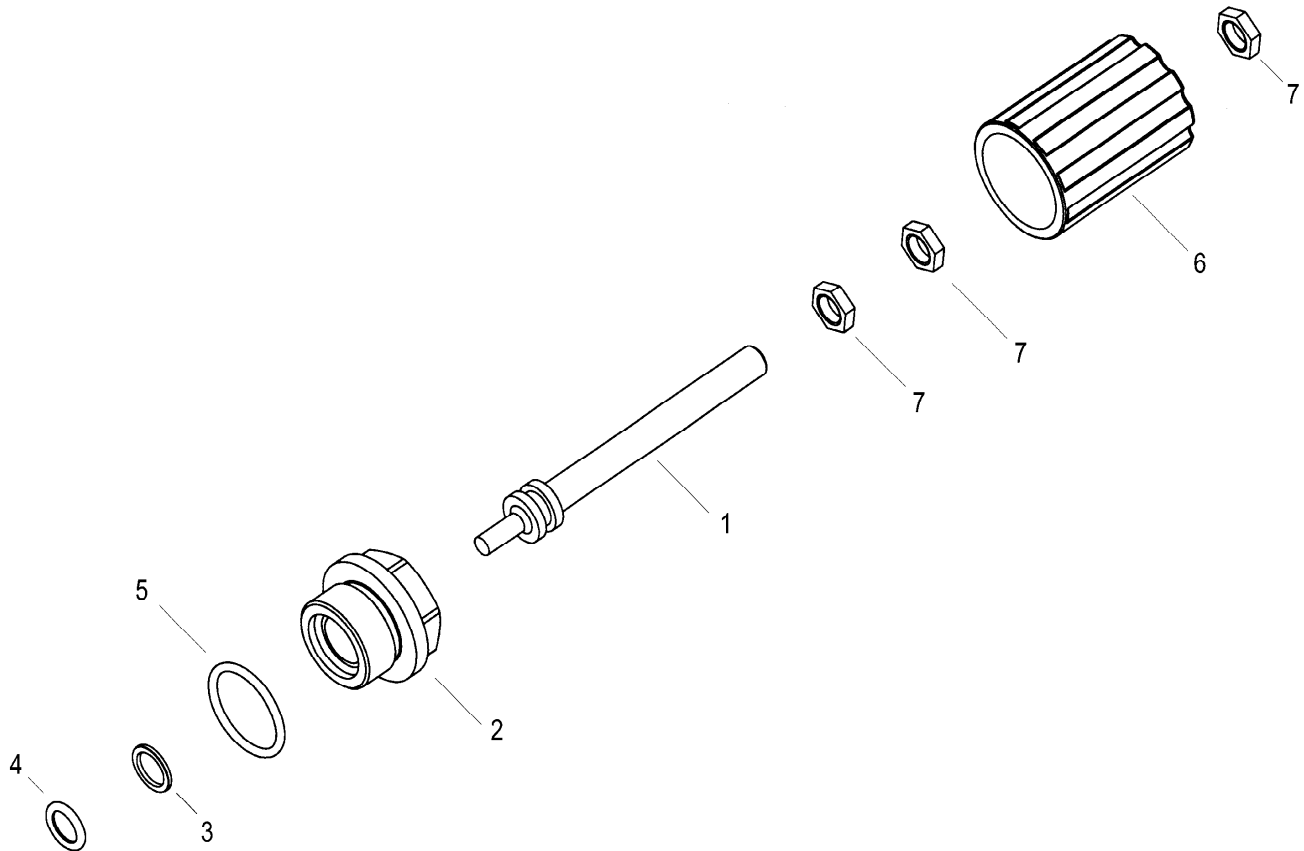


# Model 22744

## Pulsator Valve

FOR USE ON P420HP,  
P422HP, P423HP, P425HP,  
P426HP, P470 and P490



Item	Part #	Description	Quantity
1	04515	Pulsator Rod	1
2	04516	Pulsator Cap	1
3	08324	Back-up Ring	1
4	03001	O-Ring	1
5	07332	O-Ring	1
6	13263	Handwheel	1
7	12320	Limiting Nut	3

# GIANT

**Giant Industries, Inc.**  
900 N. Westwood Ave.  
P.O. Box 3187  
Toledo, Ohio 43607  
(419) 531-4600  
FAX (419) 531-6836  
[www.giantpumps.com](http://www.giantpumps.com)

© Copyright 2015 Giant Industries, Inc.

# INSTALLATION INSTRUCTIONS

## 22744 Pulsator Valve

For use on P400HP Series, P470 and P490 pumps

- 1). Remove center inlet valve plug from the front of the pump manifold.
- 2). Adjust the hand wheel (6) on the pulsator until it is all the way out by turning it counter clockwise. (Note: the handwheel will stop when it is all the way out.)
- 3). Install the pulsator assembly into the center inlet valve port and tighten with a 27 mm wrench.

# OPERATING INSTRUCTIONS

- 1). To use the pump as a pulsating pump, turn the handwheel (6) clockwise until it is tight.
- 2). To use the pump as a pressure washer, turn the hand wheel counterclockwise until it stops.