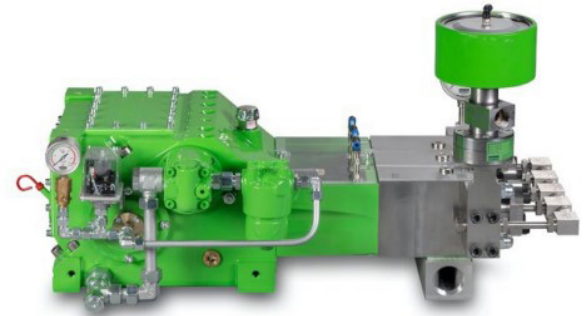
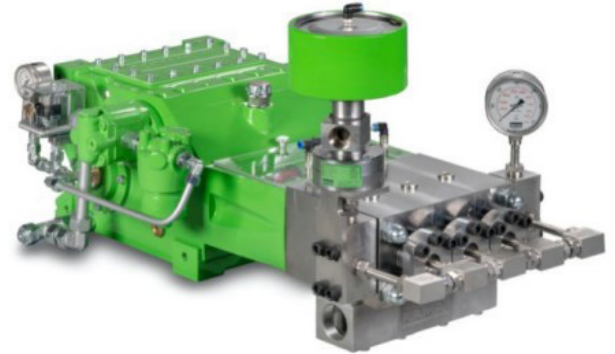


K9000-3G Triplex Plunger Pump

- ◆ Flow rate is based on 100% volumetric efficiency and 68° F (20° C) ambient temperature.
- ◆ Depending on fluid medium, a minimum inlet pressure is required.
- ◆ Depending on rod loading, speed range = 10-100%.
- ◆ Gear with splash lubrication.
- ◆ Standard Gear Ratios: $i = 2.75, 3.22$ and 3.68
- ◆ Weight: 562 lbs (255 kg)
- ◆ API 674 specifications (maximum 400 RPM) available upon request.
- ◆ Contact your local distributor or Giant Industries for use with special mediums. i.e. seawater, glycol, methanol, oil, etc.
- ◆ Vertical Operation is possible



Type	Rated Speed 530 RPM FLOW		Pressure at specific power inputs								Pump Head Style		
			61 HP	45 kW	74 Hp	55 kW	100 Hp	75 kW	121 Hp	90 kW	A	M	M2
	GPM	L/min	PSI	Bar	PSI	Bar	PSI	Bar	PSI	Bar			
9012	3.4	13	25672	1770	31329	2160	42787	2950	45543	3140	1		
9014	4.8	18	18855	1300	23061	1590	31401	2165	33432	2305	1		
9016	6.3	24	14431	995	17622	1215	24077	1660	25600	1765	1		
9018	7.9	30	11386	785	13924	960	19000	1310	20233	1395	2		
9020	9.8	37	9210	635	11313	780	15734	1060	16390	1130	2		
9022	11.9	45	7615	525	9355	645	12691	875	13561	935	2	1	
9024	14.3	54	6382	440	7832	540	10660	735	11386	785	2	1	
9026	16.6	63	5439	375	6672	460	9138	630	9718	670	2	1	
9028	19.3	73	4714	325	5729	395	7832	540	8340	575	2	1	
9030	22.2	84	4134	285	5004	345	6817	470	7252	500	2		1
9032	25.4	96	3626	250	4424	305	6019	415	6382	440	2		1
9036	32.0	121	2828	195	3481	240	4786	330	5076	350			1
9040	39.6	150	2321	160	2828	195	3844	265	4134	285			1
9045	50.2	190	1813	125	2248	155	3046	210	3263	225			1
9050	61.8	234	1450	100	1813	125	2466	170	2611	180			1
9055	74.8	283	1233	85	1523	105	2031	140	2176	150			1

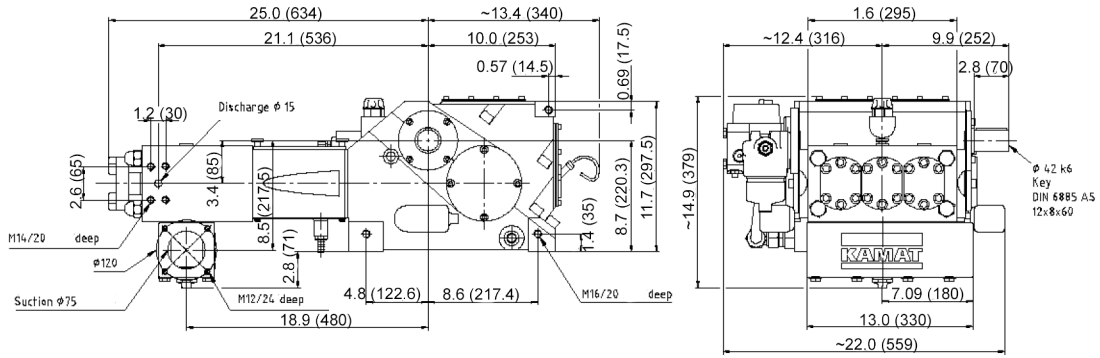


WARNING: This product might contain a chemical known to the State of California to cause cancer, and birth defects or other reproductive harm. For more information go to www.P65Warnings.ca.gov

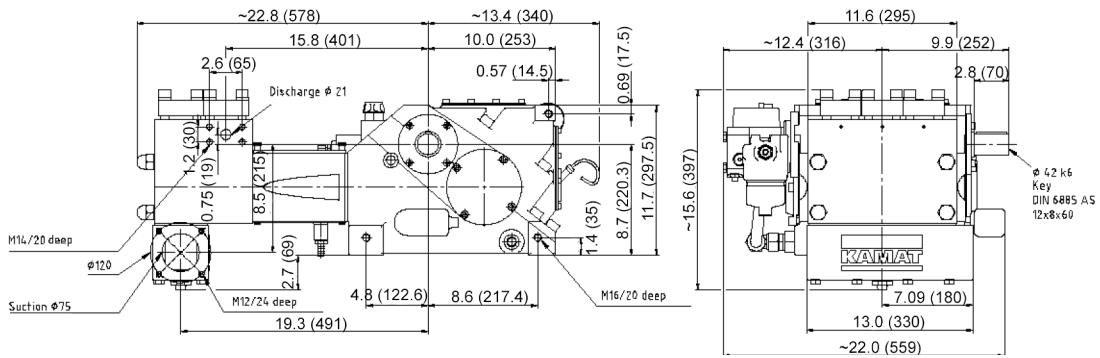
K9000-3G Triplex Plunger Pump

Pump Dimensions - mm(in)

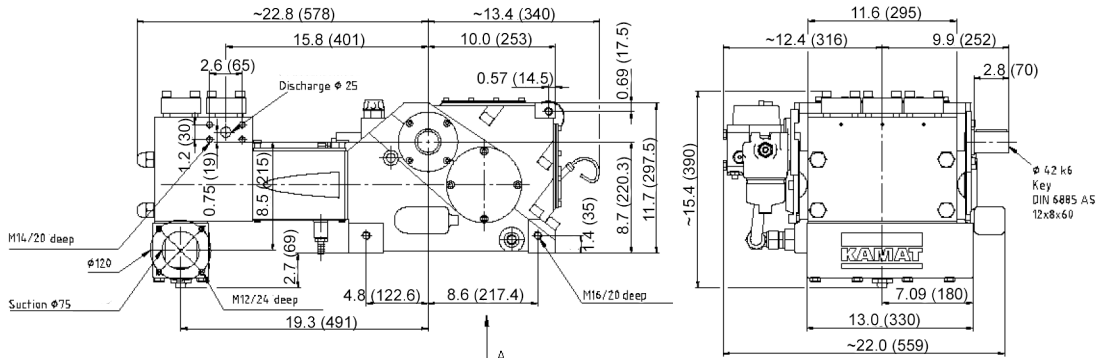
Type A2



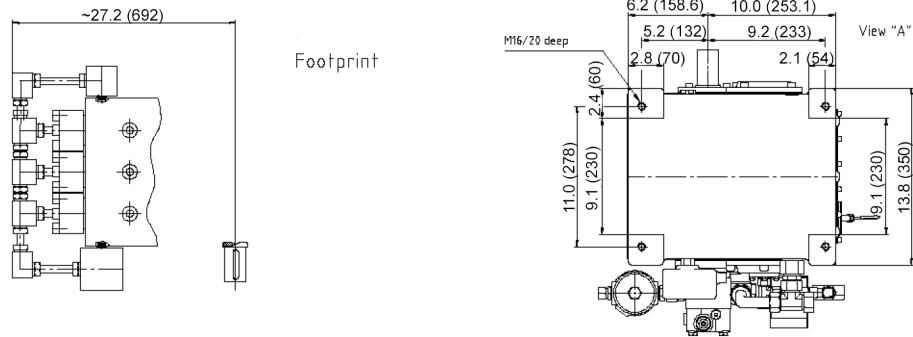
Type M1



Type M21



Type A1
 \geq 21,755 PSI
 (1500 bar)



GIANT INDUSTRIES, INC.
 900 N. Westwood Ave.
 Toledo, Ohio 43607
 Phone: (419) 531-4600
 Fax: (419) 531-6836
 www.giantpumps.com
 © Copyright 2022 Giant Industries, Inc.