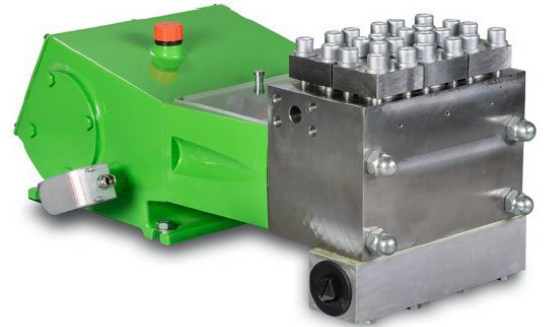
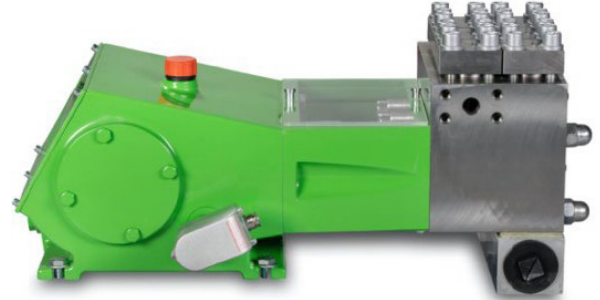


## K4500-3 Triplex Plunger Pump

- ◆ Flow rate is based on 100% volumetric efficiency and 68° F (20° C) ambient temperature.
- ◆ Depending on fluid medium, a minimum inlet pressure is required.
- ◆ Speed range: 10-100% (depending on rod force)
- ◆ Gear with splash lubrication.
- ◆ Weight: 430 lbs (195 kg)
- ◆ API 674 specifications available upon request (maximum of 450 RPM).
- ◆ Contact your local distributor or Giant Industries for use with special mediums. i.e. seawater, glycol, methanol, oil, etc.



### K4500-3 Performance Data

Rated Speed 650 RPM			Pressure at specific power inputs								Pump Head Style		
Type	FLOW		30 Hp	22 kW	40 Hp	30 kW	50 Hp	37 kW	60 Hp	45 kW	A	M	M2
	GPM	L/min	PSI	Bar	PSI	Bar	PSI	Bar	PSI	Bar			
4510	2.1	8	22119	1525	30095	2075	37130	2560	43511	3000	1		
4512	2.9	11	15374	1060	20958	1445	25817	1780	30820	2125	1		
4514	4.0	15	11240	775	15374	1060	18928	1305	22625	1560	1		
4516	5.3	20	8630	595	11748	810	14500	1000	17332	1195	1		
4518	6.6	25	6817	470	9283	640	11458	790	13706	945	2	1	
4520	8.2	31	5512	380	7542	520	9282	640	11095	765	2	1	
4522	9.8	37	4569	315	6237	430	7687	530	9138	630	2	1	
4524	11.6	44	3844	265	5221	360	6454	445	7687	530	2	1	
4526	13.7	52	3263	225	4424	305	5511	380	6527	450	2	1	
4528	15.9	60	2828	195	3844	265	4714	325	5657	390	2	1	
4530	18.2	69	2466	170	3335	230	4133	285	4930	340	2		1
4532	20.6	78	2175	150	2973	205	3625	250	4351	300	2		1
4536	26.2	99	1740	120	2320	160	2900	200	3408	235			1
4540	32.2	122	1378	95	1885	130	2320	160	2755	190			1
4545	41.0	155	1088	75	1523	105	1813	125	2175	150			1
4550	50.5	191	870	60	1233	85	1450	100	1740	120			1
4555	61.3	232	725	50	1015	70	1233	85	1450	100			1

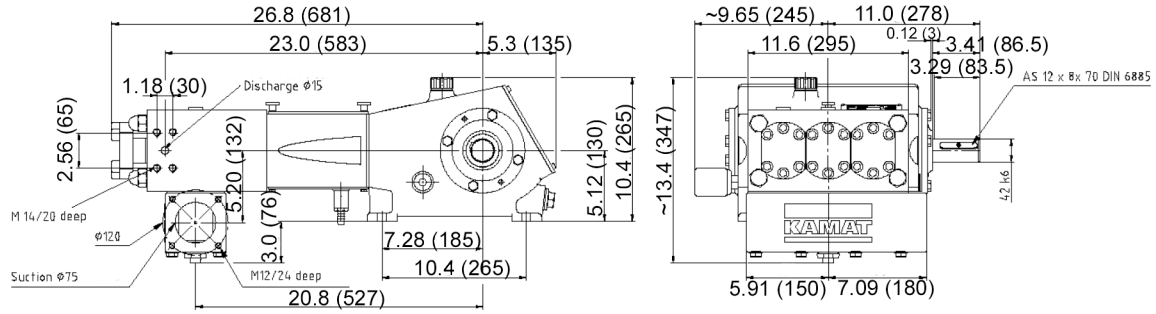


**WARNING:** This product might contain a chemical known to the State of California to cause cancer, and birth defects or other reproductive harm. For more information go to [www.P65Warnings.ca.gov](http://www.P65Warnings.ca.gov)

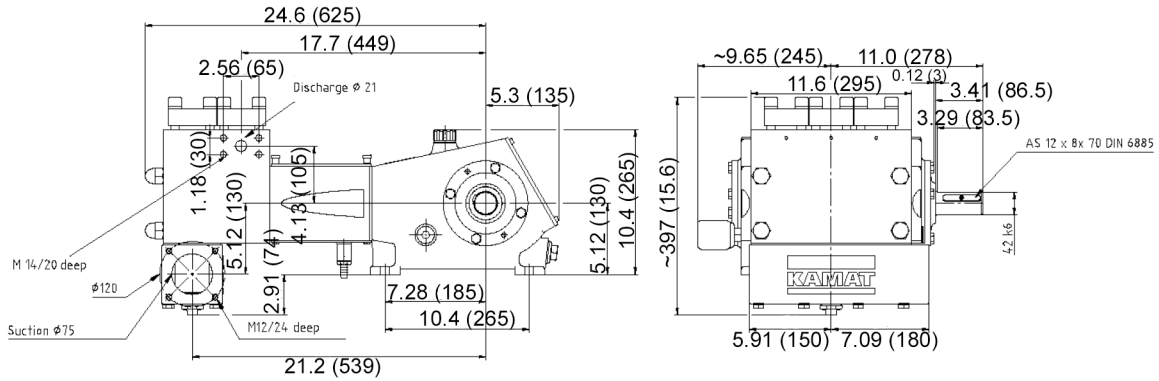
# K4500-3 Triplex Plunger Pump

## Pump Dimensions - mm(in)

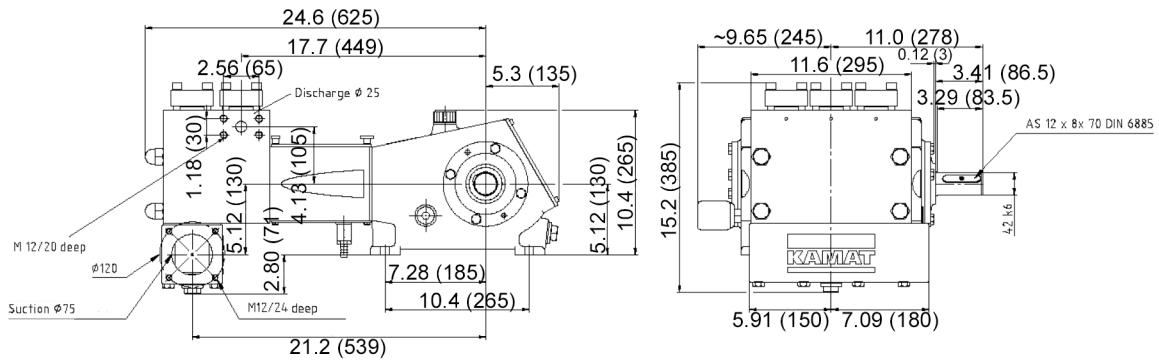
Type A2



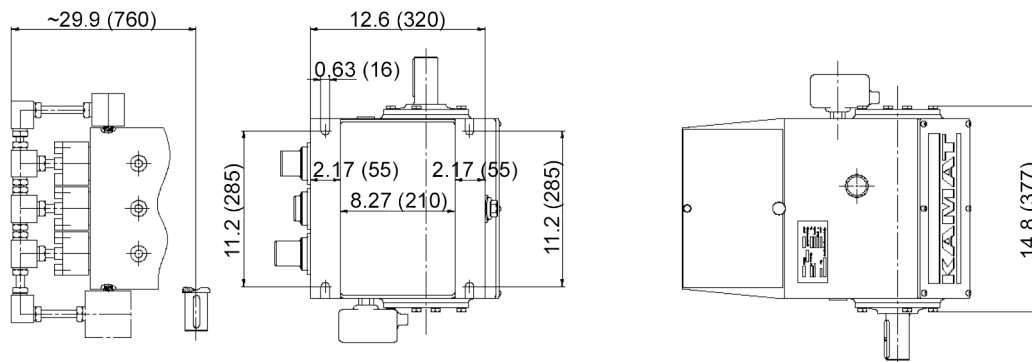
Type M1



Type M21



Type A1  
 $\geq 21,755$  PSI  
 (1500 bar)



**GIANT INDUSTRIES, INC.**  
 900 N. Westwood Ave.  
 Toledo, Ohio 43607  
 Phone: (419) 531-4600  
 Fax: (419) 531-6836  
 www.giantpumps.com  
 © Copyright 2022 Giant Industries, Inc.