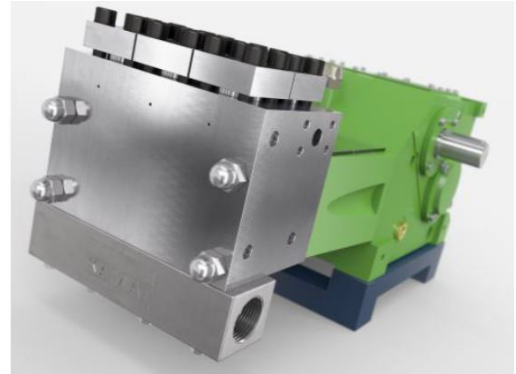
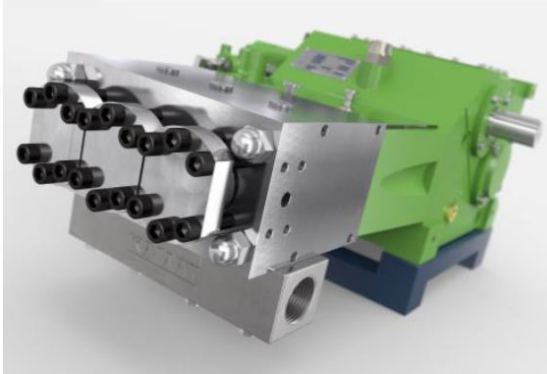


K 8000 Triplex Plunger Pumps



Rated Speed 530 RPM			Pressure at specific power inputs								Pump Head Style		
Type	FLOW		60 Hp	45 kW	74 Hp	55 kW	80 Hp	60 kW	100 Hp	75 kW	A	M	MC
	GPM	L/min	PSI	Bar	PSI	Bar	PSI	Bar	PSI	Bar			
K 8012	3.4	13	25665	1770	31320	2160	34220	2360	42775	2950	1		
K 8014	4.8	18	18560	1280	23055	1590	25085	1730	31175	2150	1		
K 8016	6.3	24	14210	980	17690	1220	19285	1330	24070	1660	1		
K 8018	7.9	30	11600	800	13993	965	15225	1050	18850	1300	1		
K 8020	9.8	37	9570	660	11600	800	12615	870	15443	1065	1		H
K 8022	11.9	45	7903	545	9643	665	10513	725	12905	890	1		H
K 8024	14.3	54	6670	460	8048	555	8773	605	10948	755	1		H
K 8026	16.6	63	5655	390	6888	475	7468	515	9353	645	1		H
K 8028	19.3	73	4858	335	5945	410	6453	445	8048	555	1		H
K 8030	22.2	84	4060	280	5003	345	5438	375	6815	470	1	1	H
K 8032	25.4	96	3553	245	4350	300	4785	330	5945	410	1	1	1
K 8036	32.0	121	2755	190	3408	235	3698	255	4640	320		1	1
K 8040	39.6	150	2248	155	2755	190	2973	205	3698	255		1	1
K 8045	50.2	190	1740	120	2175	150	2320	160	2900	200			1
K 8050	61.8	234	1450	100	1740	120	1885	130	2393	165			1
K 8055	74.8	283	1160	80	1450	100	1595	110	1958	135			1

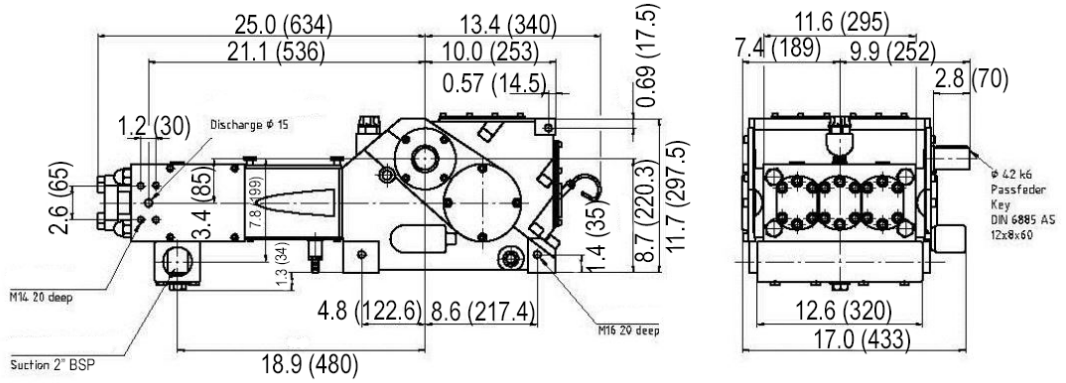
= Ultra High Pressure UHP

Subject to change without notice

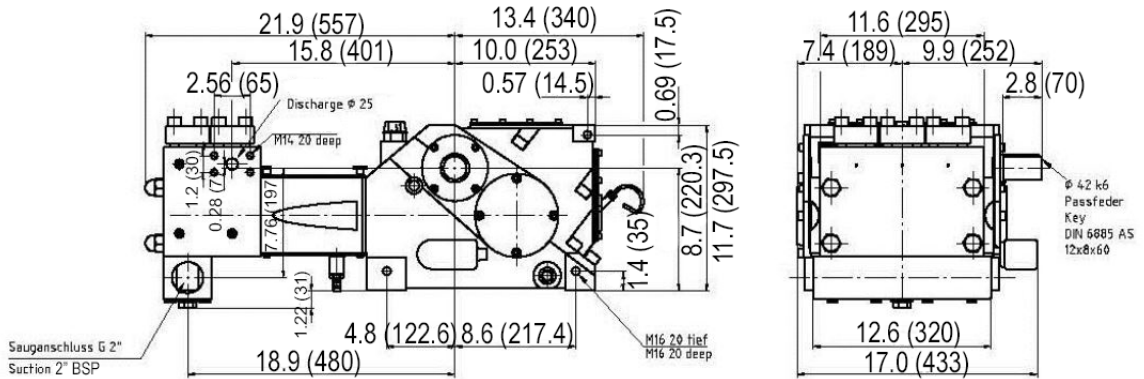
- ◆ Flow rate is based on 100% volumetric efficiency and 68° F (20° C) ambient temperature.
- ◆ Depending on fluid medium, speed range is 10 to 100%.
- ◆ Depending on rod loading, a minimum crankshaft RPM is required.
- ◆ Gear with splash lubrication.
- ◆ Standard Gear Ratios: $i = 2.75, 3.22$ and 3.68
- ◆ Weight: 551 lbs (250 kg)
- ◆ API 674 specifications available upon request.
- ◆ Contact your local distributor or Giant Industries for use with special mediums. i.e. seawater, glycol, methanol, oil, etc.

Pump Dimensions mm(in)

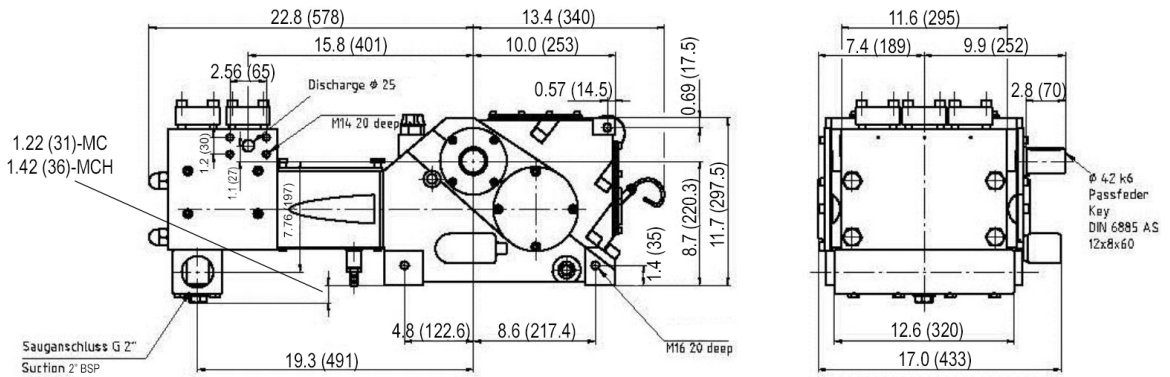
High Pressure Head A



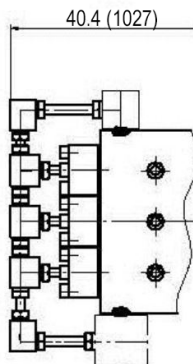
Compact Head M



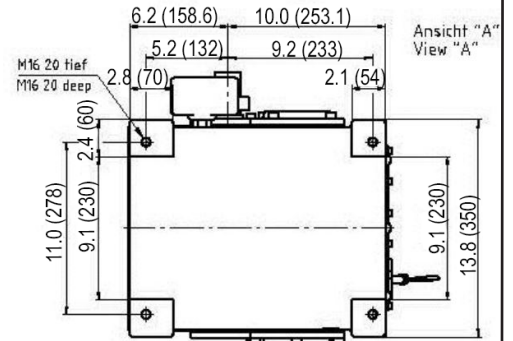
Compact Head (Low Pressure) MC Head MCH



High Pressure Head A $\geq 21,756$ PSI (1500 Bar)



Footprint



GIANT

Performance Under Pressure

GIANT INDUSTRIES, INC.

900 N. Westwood Ave.

Toledo, Ohio 43607

Phone: (419) 531-4600

Fax: (419) 531-6836

www.giantpumps.com

© Copyright 2019 Giant Industries, Inc.