

K 35000 - 3G Triplex Plunger Pump



Rated Speed 440 RPM			Pressure at specific power inputs								Pump Head Style		
Type	FLOW		375 Hp	280 kW	422 Hp	315 kW	442 Hp	330 kW	469 Hp	350 kW	A	M	MC
	GPM	L/Min	PSI	bar	PSI	bar	PSI	bar	PSI	bar			
K 35018	12.4	47	44950	3100	50750	3500	-	-	-	-	1		
K 35020	15.3	58	36250	2500	40600	2800	42775	2950	45675	3150	1		
K 35022	18.5	70	30088	2075	33858	2335	35380	2440	36250	2500	1		
K 35024	21.9	83	25375	1750	28282	1950	29725	2050	31900	2200	1		
K 35026	25.9	98	21460	1480	24215	1670	25375	1750	27260	1880	1		
K 35028	30.1	114	18560	1280	20880	1440	22330	1540	23490	1620	1		
K 35030	34.6	131	16675	1150	18850	1330	19575	1350	20880	1440	1		
K 35032	39.4	149	14790	1020	16675	1150	17400	1200	18343	1265	1		
K 35036	49.7	188	11818	815	13123	905	13775	950	14500	1000	1		H
K 35040	61.3	232	9643	665	10948	755	11310	780	11745	810	1		H
K 35045	77.7	294	7613	525	8628	595	9063	625	9280	640	1		H
K 35050	95.9	363	5873	405	6598	455	6960	480	7323	505	1	1	H
K 35055	116.0	439	4858	335	5438	375	5728	395	6090	420		1	1
K 35060	138.2	523	4060	280	4568	315	4785	330	5075	350		1	1
K 35065	162.0	613	3480	240	3915	270	4133	285	4350	300		1	1
K 35070	187.8	711	2973	205	3335	230	3553	245	3770	260		1	1
K 35075	215.6	816	2610	180	2900	200	3045	210	3263	225			1
K 35080	245.2	928	2321	160	2611	180	2683	185	2828	195			1
K 35085	277.1	1049	2030	140	2320	160	2393	165	2538	175			1
K 35090	310.4	1175	1813	125	2030	140	2176	150	2248	155			1
K 35095	346.1	1310	1595	110	1813	125	1885	130	2030	140			1

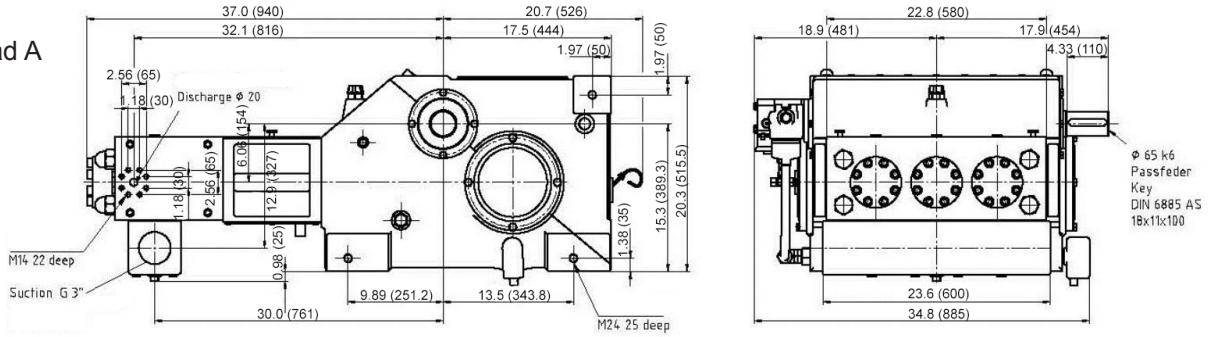
=Ultra High Pressure

Subject to change without notice

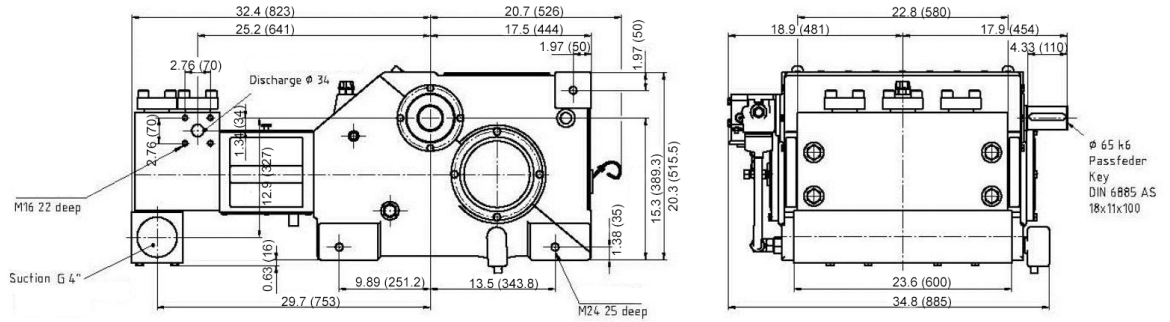
- ◆ Flow rate is based on 100% volumetric efficiency and 68° F (20° C) ambient temperature.
- ◆ Depending on fluid medium, a minimum inlet pressure is required
- ◆ Depending on rod loading, crankshaft speed = 10-100%
- ◆ Dynamically balanced gearend
- ◆ Gear with force-fed lubrication and oil cooler
- ◆ Standard Gear Ratios: $i = 3.39, 4.05, 4.76$ and 5.25
- ◆ Weight: 2997 lbs (1360 kg)
- ◆ API 674 specifications available upon request.
- ◆ Contact your local distributor or Giant Industries for use with special mediums. i.e. seawater, glycol, methanol, oils, etc.

Pump Dimensions mm(in)

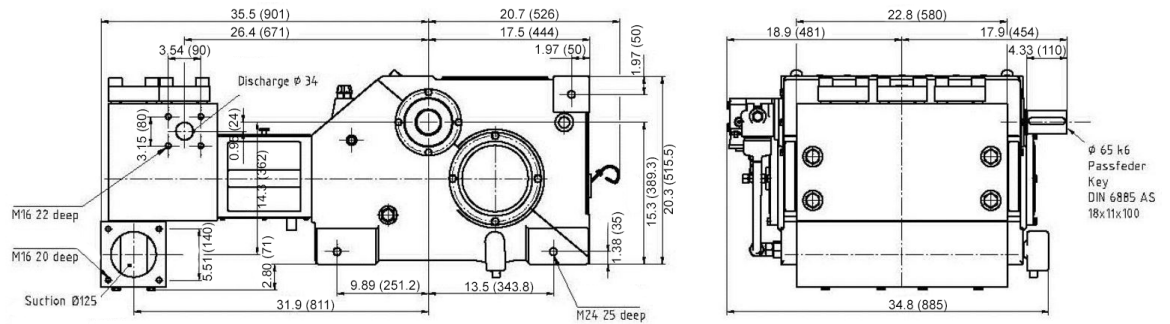
High Pressure Head A



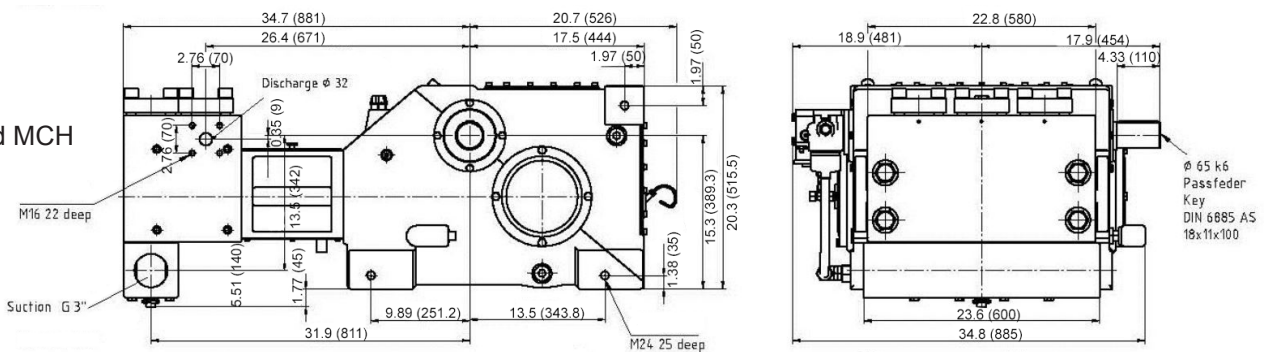
Compact Head M



Compact Head MC



Compact Head MCH



GIANT
Performance Under Pressure
GIANT INDUSTRIES, INC.
 900 N. Westwood Ave.
 Toledo, Ohio 43607
 Phone: (419) 531-4600
 Fax: (419) 531-6836
 www.giantpumps.com
 © Copyright 2019 Giant Industries, Inc.

