

K 25000-3G Triplex Plunger Pump



Rated Speed 450 RPM			Pressure at specific power inputs								Pump Head Style		
Type	FLOW		177 Hp	132 kW	214 Hp	160 kW	268 Hp	200 kW	335 Hp	250 kW	A	M	MC
	GPM	L/min	PSI	Bar	PSI	Bar	PSI	Bar	PSI	Bar			
K 25018	10.8	41	24650	1700	29870	2060	37265	2570	46400	3200	1		
K 25020	13.5	51	19865	1370	24215	1670	30160	2080	36250	2500	1		
K 25022	16.4	62	16458	1135	20010	1380	24940	1720	30885	2130	1		
K 25024	19.3	73	13848	955	16820	1160	21025	1450	26100	1800	1		
K 25026	22.7	86	11818	815	14355	990	17908	1235	21750	1500	1		
K 25028	26.4	100	10150	700	12325	850	15370	1060	19068	1315	1		
K 25030	30.1	114	8845	610	10730	740	13413	925	16603	1145	1		
K 25032	34.3	130	7758	535	9425	650	11818	815	14645	1010	1		H
K 25036	43.6	165	6163	425	7468	515	9353	645	11600	800	1		H
K 25040	53.6	203	5003	345	6018	415	7540	520	9353	645	1		H
K 25045	68.2	258	3915	270	4785	330	5945	410	7395	510	1	1	H
K 25050	84.0	318	3190	220	3843	265	4858	335	6018	415	1	1	H
K 25055	101.7	385	2610	180	3190	220	3988	275	4930	340		1	1
K 25060	121.0	458	2248	155	2683	185	3335	230	4133	285		1	1
K 25065	141.9	537	1885	130	2320	160	2900	200	3553	245		1	1
K 25070	164.6	623	1595	110	1958	135	2465	170	3045	210			1
K 25075	188.9	715	1450	100	1740	120	2175	150	2683	185			1
K 25085	242.8	919	1088	75	1305	90	1668	115	2103	145			1
K 25095	303.3	1148	870	60	1088	75	1305	90	1668	115			1

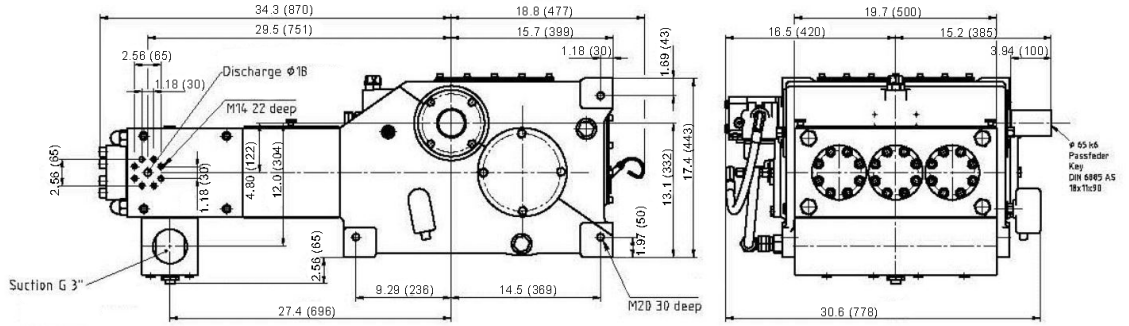
■ =Ultra High Pressure UHP

Subject to change without notice

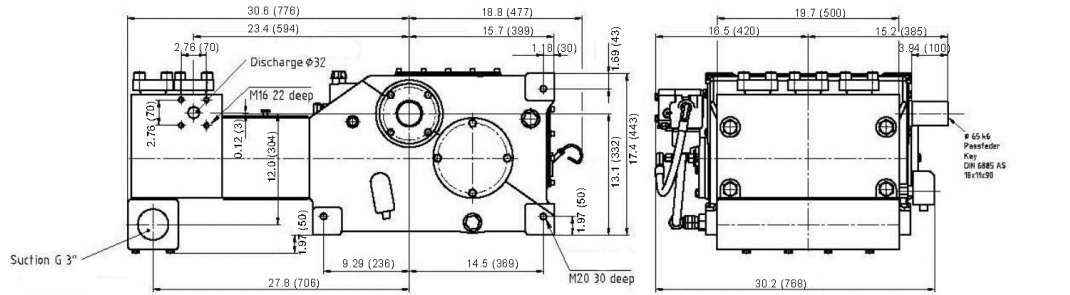
- ◆ Flow rate is based on 100% volumetric efficiency and 68° F (20° C) ambient temperature.
- ◆ Depending on fluid medium, a minimum inlet pressure is required.
- ◆ Speed Range is 10-100% depending on rod loading.
- ◆ Gearend is dynamically balanced.
- ◆ Gear with force-fed lubrication (at 214 HP/160kW, an oil cooler is required).
- ◆ Standard Gear Ratios: i = 3.33, 3.50, 4.04, 4.62 and 5.44
- ◆ Weight: 2105 lbs (955 kg)
- ◆ API 674 specifications available upon request.
- ◆ Contact your local distributor or Giant Industries for use with special mediums. i.e. seawater, glycol, methanol, oils, etc.

Pump Dimensions mm(in)

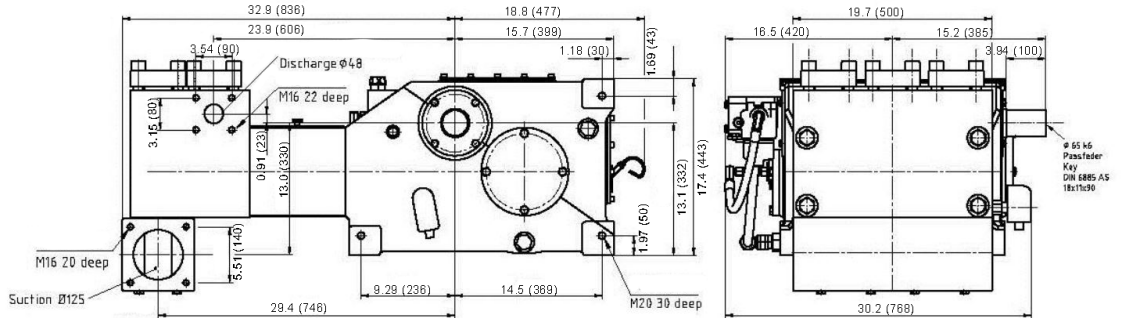
High Pressure Head A



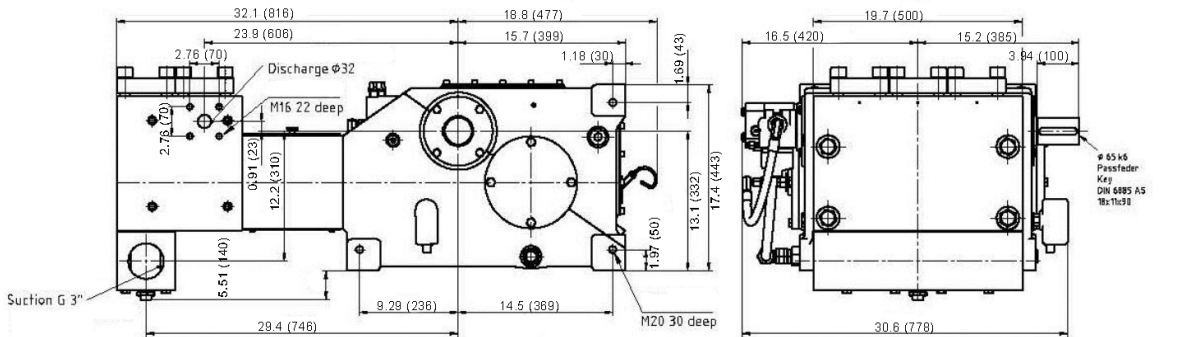
Compact Head M



Compact Head MC



Compact Head MCH



GIANT

Performance Under Pressure

GIANT INDUSTRIES, INC.

900 N. Westwood Ave.

Toledo, Ohio 43607

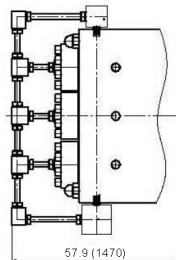
Phone: (419) 531-4600

Fax: (419) 531-6836

www.giantpumps.com

© Copyright 2019 Giant Industries, Inc.

High Pressure Head



High Pressure Head ≥ 1500 bar

Footprint

