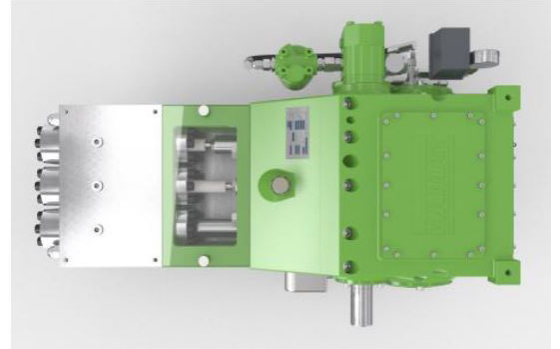
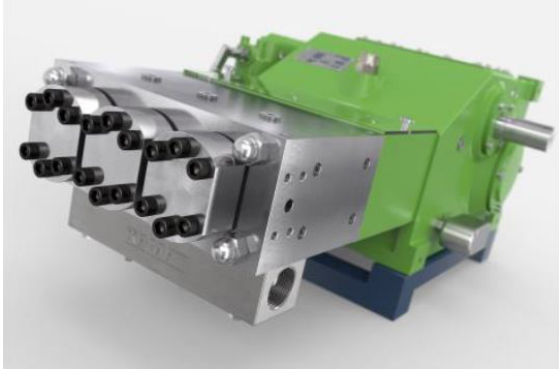


## K 10000-3G Triplex Plunger Pumps



Rated Speed 475 RPM			Pressure at specific power inputs								Pump Head Style		
Type	FLOW		101 Hp	75 kW	121 Hp	90 kW	147 Hp	110 kW	174 Hp	130 kW	A	M	MC
	GPM	L/min	PSI	Bar	PSI	Bar	PSI	Bar	PSI	Bar			
K 10012-3G	4.0	15	37700	2600	45240	3120	50750	3500	-	-	1		
K 10014-3G	5.5	21	27550	1900	32915	2270	40310	2780	47850	3300	1		
K 10016-3G	7.1	27	21315	1470	25665	1770	31320	2160	36250	2500	1		
K 10018-3G	9.0	34	16965	1170	20373	1405	24868	1715	29725	2050	1		
K 10020-3G	11.4	43	13413	925	16095	1110	19720	1360	23635	1630	1		
K 10022-3G	13.5	51	11238	775	13558	935	16530	1140	19865	1370	1		
K 10024-3G	16.1	61	9425	650	11310	780	13848	955	16675	1150	1		
K 10026-3G	19.0	72	7975	550	9643	665	11745	810	14138	975	1		H
K 10028-3G	21.9	83	6960	480	8338	575	10150	700	12253	845	1		H
K 10030-3G	25.4	96	6018	415	7250	500	8773	605	10585	730	1		H
K 10032-3G	28.8	109	5293	365	6380	440	7758	535	9353	645	1		H
K 10036-3G	36.5	138	4205	290	5003	345	6090	420	7395	510	1	1	H
K 10040-3G	44.9	170	3408	235	4060	280	5003	345	6018	415		1	1
K 10045-3G	56.8	215	2683	185	3190	220	3915	270	4785	330		1	1
K 10050-3G	70.3	266	2175	150	2610	180	3190	220	3843	265		1	1
K 10055-3G	84.8	321	1813	125	2175	150	2610	180	3190	220		1	1
K 10060-3G	101.2	383	1523	105	1813	125	2175	150	2683	185		1	1
K 10065-3G	118.6	449	1305	90	1523	105	1885	130	2320	160			1

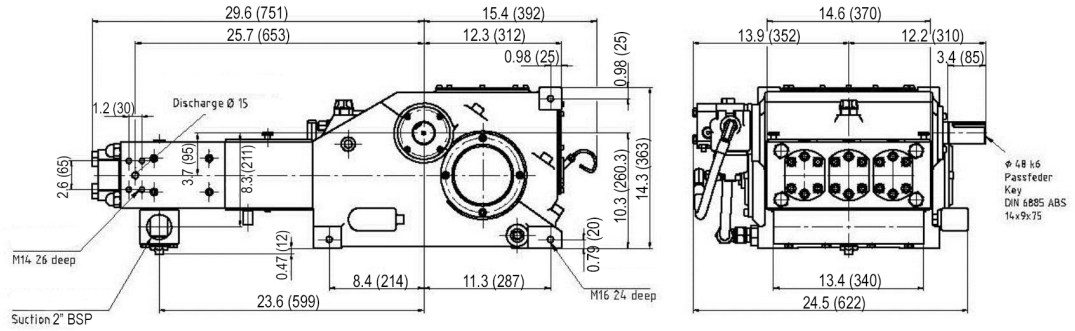
☐ = Ultra High Pressure UHP

Subject to change without notice

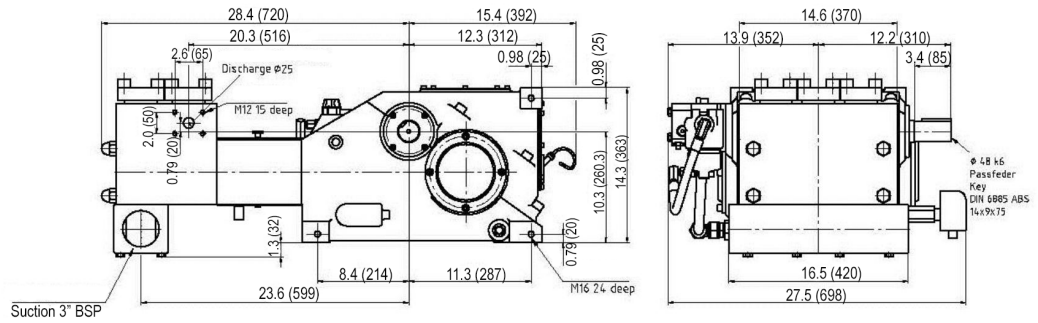
- ◆ Flow rate is based on 100% volumetric efficiency and 68° F (20° C) ambient temperature.
- ◆ Depending on fluid medium, a minimum inlet pressure is required.
- ◆ Depending on rod loading, the speed range is 10-100%.
- ◆ Dynamically balanced gear end
- ◆ Gear with force-fed lubrication (at >147 Hp/110kW, oil cooler required).
- ◆ Standard Gear Ratios: i = 3.00, 3.14, 3.39, 3.76, 4.13, 4.50 and 4.93
- ◆ Weight: 970 lbs (440 kg)
- ◆ API 674 specifications available upon request.
- ◆ Contact your local distributor or Giant Industries for use with special mediums. i.e. seawater, glycol, methanol, oil, etc.

# Pump Dimensions mm(in)

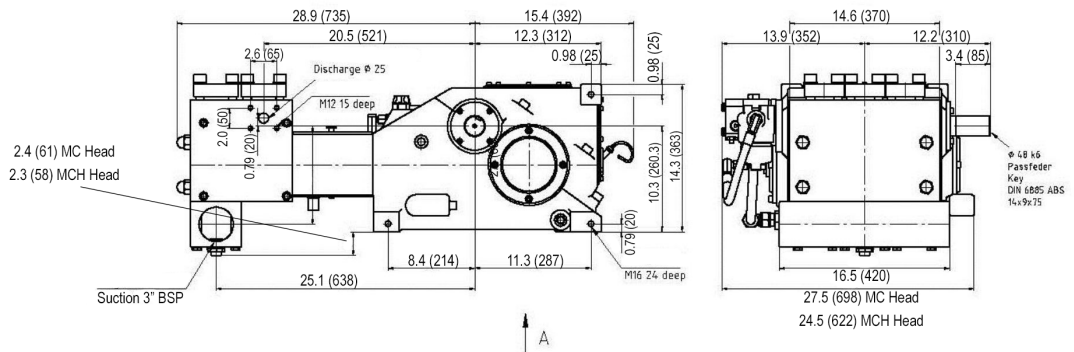
High Pressure Head A



Compact Head M



Compact Head (Low Pressure) MC MCH Head



# GIANT

Performance Under Pressure

GIANT INDUSTRIES, INC.

900 N. Westwood Ave.

Toledo, Ohio 43607

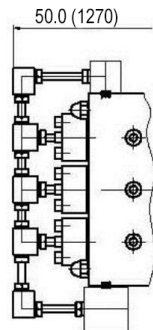
Phone: (419) 531-4600

Fax: (419) 531-6836

www.giantpumps.com

© Copyright 2019 Giant Industries, Inc.

High Pressure Head A  
21,756 PSI (1500 Bar)



Footprint

