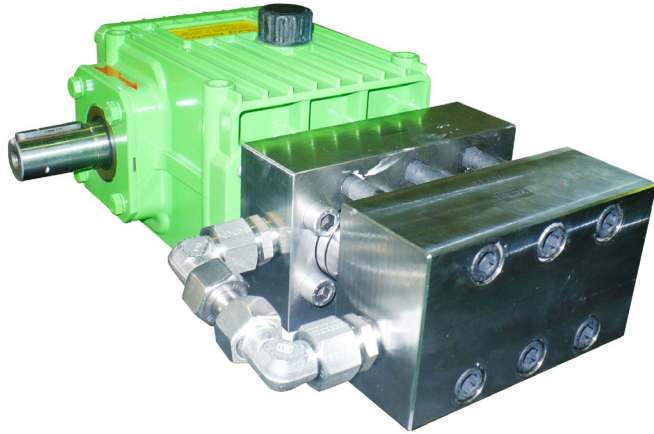


K 100 A Triplex Plunger Pumps



- ◆ Flow rate based on 100% volumetric efficiency and 68 °F (20 °C) ambient temperature
- ◆ Gear end with splash Lubrication
- ◆ Load-cycle-free pump head in stainless steel
- ◆ Tungsten carbide plungers
- ◆ Parts in contact with fluid stainless steel

K 100 A Performance Data

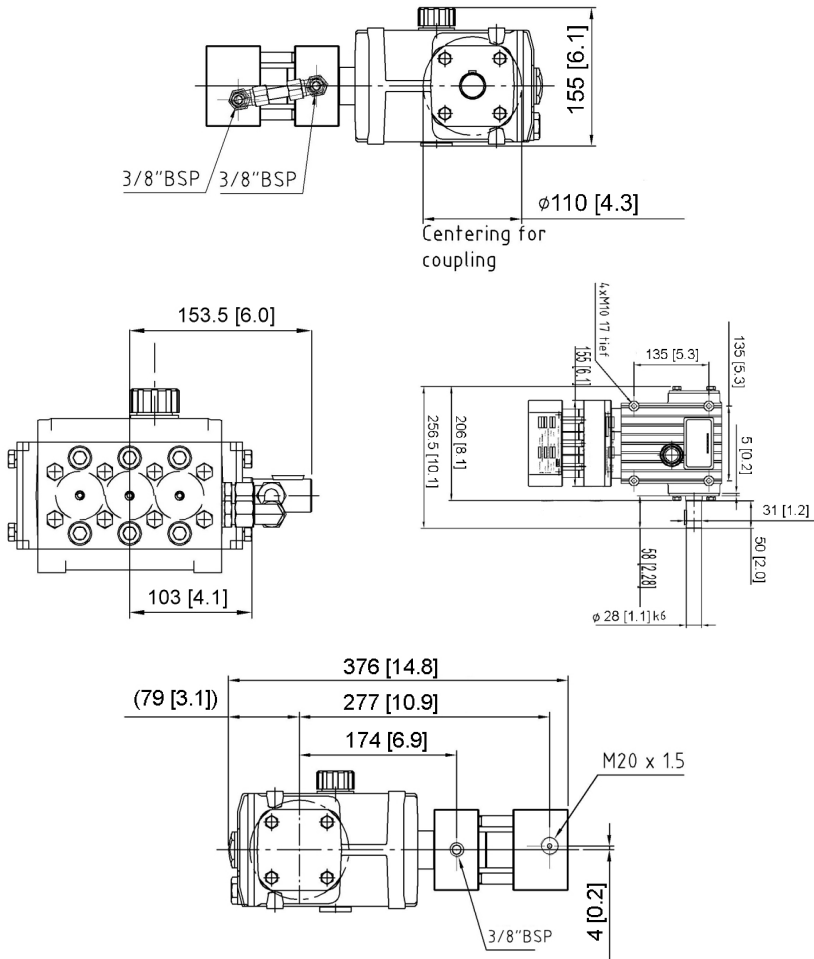
Type	Plunger dia.	Pump Speed	Flow		Power Required at		Power Required at		Power Required at	
					14,500 PSI	1000 Bar	21,750 PSI	1500 Bar	29000 PSI	2000 Bar
	(mm)		(GPM)	(L/min)	(hp)	(kW)	(hp)	(kW)	(hp)	(kW)
K 108	8.5 mm	min. 500	0.53	2	5.16	3.85	7.73	5.77	10.31	7.69
		600	0.63	2.4	6.19	4.62	9.28	6.92	12.37	9.23
		700	0.74	2.8	7.21	5.38	10.83	8.08	14.44	10.77
		800	0.85	3.2	8.24	6.15	12.37	9.23	16.5	12.31
		900	0.95	3.6	9.28	6.92	13.91	10.38	18.57	13.85
		max. 1000	1.06	4	10.31	7.69	15.47	11.54	20.11	15.00
Type	Plunger dia.	Pump Speed	Flow		Power Required at		Power Required at		X	
					14,500 PSI	1000 Bar	17,400 PSI	1200 bar		
K 111	11 mm	min. 500	0.9	3.4	8.77	6.54	10.52	7.85		
		600	1.08	4.1	10.56	7.88	12.68	9.46		
		700	1.24	4.7	12.12	9.04	14.54	10.85		
		800	1.43	5.4	13.91	10.38	16.7	12.46		
		900	1.61	6.1	15.72	11.73	18.87	14.08		
		max. 1000	1.8	6.8	17.53	13.08	20.11	15.00		

Common Specifications

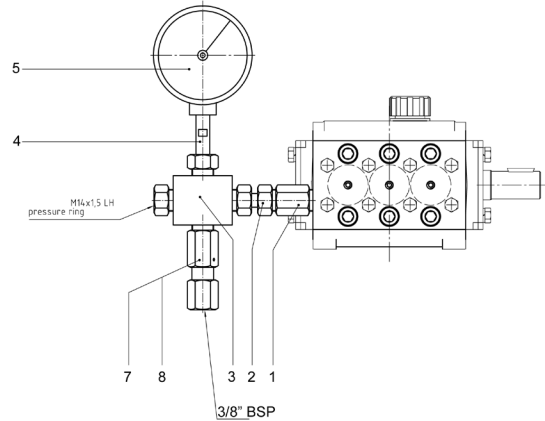
Pumping Fluids:	Water, chemical fluids	Maximum Viscosity:	1000 mPas
Inlet pressure:	58-116 PSI (4-8 Bar)	Weight:	55 lbs. (25 kg)
Max. Temperature	104 °F (40 °C)	Noise level:	75 db
Crankcase Capacity:	27 fl. oz. (0.8 Liters)		
Accessories:	7013143 (K108A) and 7022162 (K111A)		
	-Includes high pressure gauge and burst disc holder (burst disc must be ordered separately for specific operating pressure)		

K 100 A Triplex Plunger Pumps

Pump Dimensions - mm(in)



Accessories



Parts List - 7013143 and 7022162

Item	Part No.	Description	Qty
1	7011856	Pipe Nipple	1
2	7011857	Coupling	1
3	7011517	T-Piece	1
4	7006375	Pipe Nipple	1
5	7014479	Pressure Gauge (7022162)	1
5	7005271	Pressure Gauge (7013143)	1
7	7013142	Burst Disc Holder	1

with electric motor 1000 rpm - 6 pole



Length	41.4 in.	1050 mm
Width	31.5 in.	800 mm
Height	35.4 in.	900 mm
Weight	552 lbs.	250 kg

with HATZ diesel engine air cooled



Length	45.3 in.	1150 mm
Width	35.4 in.	900 mm
Height	43.3 in.	1100 mm
Weight	618 lbs.	280 kg

with B&S petrol engine air cooled



Length	43.3 in.	1100 mm
Width	31.5 in.	800 mm
Height	39.4 in.	1000 mm
Weight	485 lbs.	220 kg

GIANT
Performance Under Pressure

GIANT INDUSTRIES, INC.
900 N. Westwood Ave.
Toledo, Ohio 43607

Phone: (419) 531-4600
Fax: (419) 531-6836
www.giantpumps.com

© Copyright 2018 Giant Industries, Inc.