

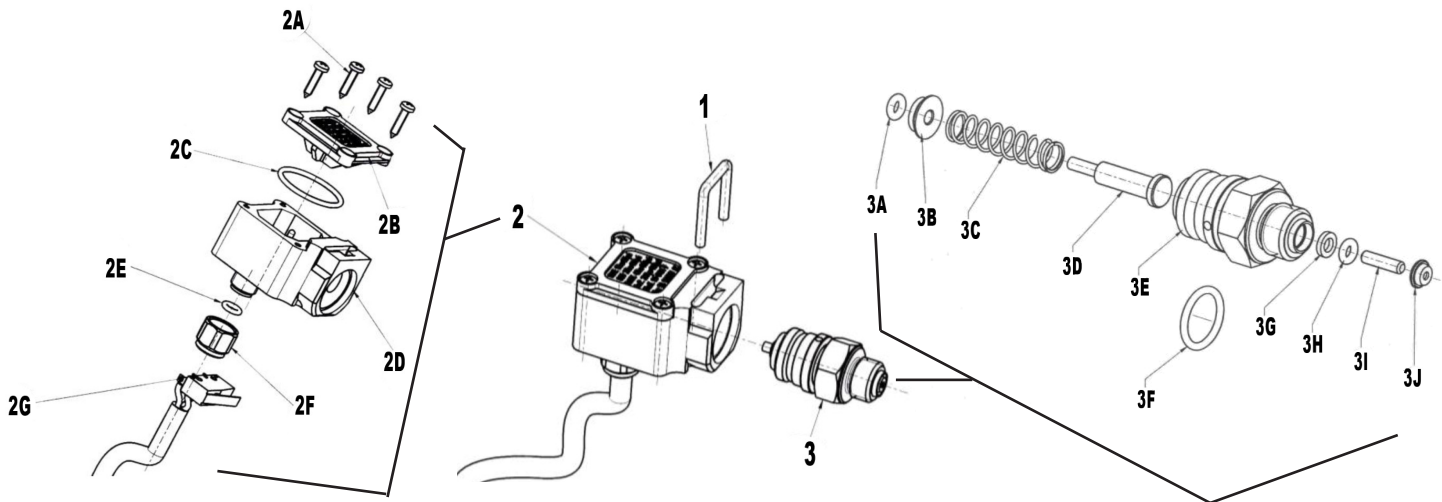
# Models

**25152, 25153, 25166,  
25167, 25168, 25169,  
25171, 25172, 25172**

**Pressure Switches,  
Brass Fitting,  
4100 PSI, 195 °F,  
IP55, 3 wire**



Model	Actuation Pressure	Inlet
25166	210 PSI (15 bar)	1/8" MBSP
25167	360 PSI (25 bar)	1/8" MBSP
25168	580 PSI (40 bar)	1/8" MBSP
25169	210 PSI (15 bar)	1/4" MBSP
25152	360 PSI (25 bar)	1/4" MBSP
25153	580 PSI (40 bar)	1/4" MBSP
25171	210 PSI (15 bar)	3/8" MBSP
25172	360 PSI (25 bar)	3/8" MBSP
25173	580 PSI (40 bar)	3/8" MBSP



## Parts List

Item	Part#	Description	Quantity
1	04457	U-Pin	1
2	04456	Electrical Assembly	1
2A*		Screw	4
2B*		Cap	1
2C*		O-Ring	1
2D*		Box	1
2E*		O-Ring	1
2F*		Fitting	1
2G*		Electric wire w/microswitch	1
3	04447	Hydraulic Assembly, 25152	1
3	04448	Hydraulic Assembly, 25169	1
3	04449	Hydraulic Assembly, 25153	1

Item	Part#	Description	Quantity
3	04450	Hydraulic Assembly, 25172	1
3	04451	Hydraulic Assembly, 25171	1
3	04452	Hydraulic Assembly, 25173	1
3	04453	Hydraulic Assembly, 25167	1
3	04454	Hydraulic Assembly, 25166	1
3	04455	Hydraulic Assembly, 25168	1
3A*		O-Ring, Blue (25169, 25171, 25166)	1
3A*		O-Ring, Red (25152, 25172, 25167)	1
3A*		O-Ring, Black (25153, 25173, 25168)	1

\*only available as an assembly

# INSTALLATION & OPERATING INSTRUCTIONS

## Operation

Electro-mechanical device which upon reaching a pre-set pressure, opens or closes an electrical control contact.

## Warnings

To correctly install, use and service this product, carefully read and follow the instructions and warnings contained in this manual.

Ensure these instructions are included in the final user's manual of any machine in which the product is assembled. The installation and maintenance must be performed by qualified personnel only.

Any improper use of or alteration of this product may cause loss or injury. The Manufacturer is not responsible or liable for any loss, damage, or injury arising from improper use or alteration and declines all liability for its functioning and safety.

Before acting on the pressure switch it's necessary:

- unplug the machine from the power supply.
- discharge the circuit from any pressure upstream and downstream of the valve through the gun

The component described here complies with the rules and the lines in force that you can find in the Giant Conformity Declaration.

Giant Industries declines all responsibility and liability in the case that the compliance and regulations stated in this manual are not followed or respected.

Giant Industries reserves the right to make any modification to both products and manuals without notice.

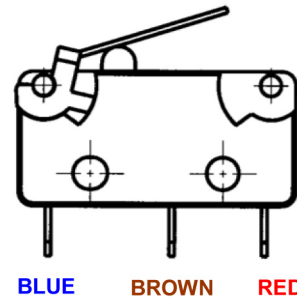
## Electrical Specifications

- Max rated voltage: 250 V c.a.
- Wires length: 43.8" (1115 mm) standard
- Wire Section" 0.75 mm<sup>2</sup>
- Breaking switch: 5 (A)-resistive load,  
3 (A)-inductive load
- Lifetime of electrical component: 10<sup>6</sup> commutations
- Action type: lever

## Electrical Connection

N.A. Red + Brown - Normally Open

N.C. Red + Blue - Normally Closed



## Selection

Choose the appropriate pressure switch on the base of the rated pressure of the system and on the base of the intervention pressure.

Check that the value of the requested current is lower than the maximum rated valve (see Electrical Specifications)

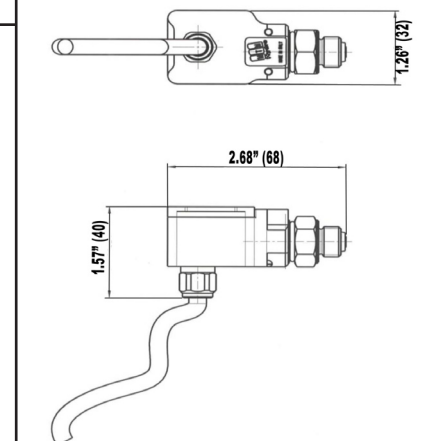
The value of the intervention pressure is distinguished by three different colors of the external o-ring, like below:

O-ring color	Actuation pressure
BLUE	1.5MPa (15bar-210 PSI)
RED	2.5MPa (25bar-360 PSI)
BLACK	4MPa (40bar-580 PSI)

## Maintenance

Maintenance has to be carried out by specialized persons and using original Giant spare parts. Giant cannot be considered responsible for damages due to incorrect installation and maintenance. For a correct assembly please refer to the exploded view of the product. During maintenance lubricate seals with water resistant grease.

## Overall Dimensions (mm)



**GIANT**  
Performance Under Pressure

Giant Industries, Inc.  
900 N. Westwood Ave.  
Toledo, Ohio 43607  
419-531-4600  
FAX 419-531-6836  
www.giantpumps.com