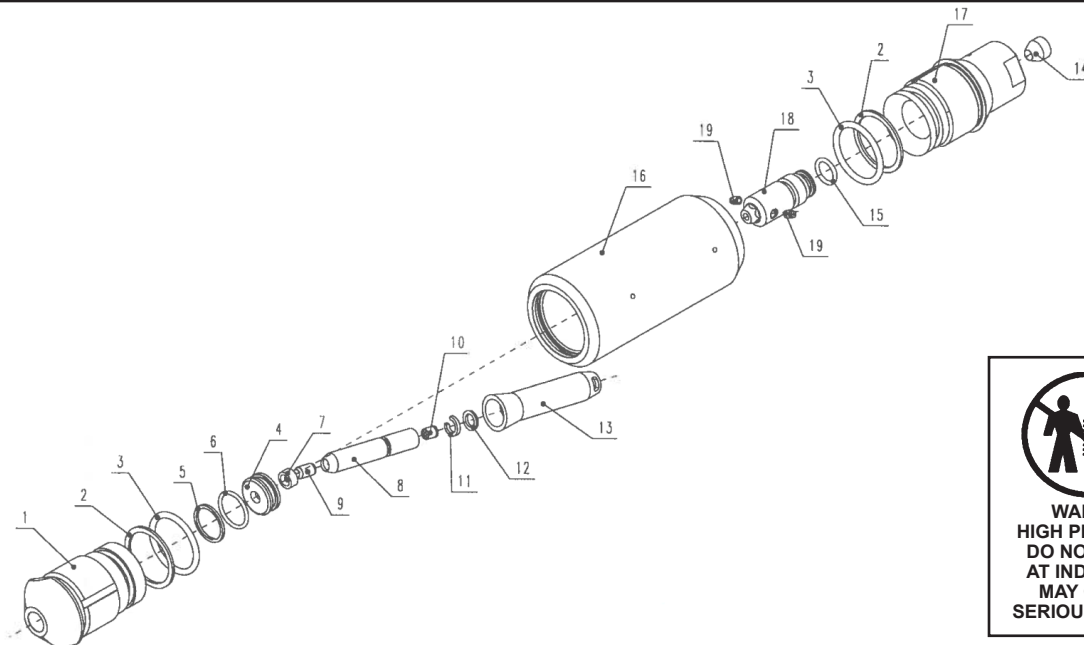


Series 23850

Turbo Nozzle



Operating Conditions

Maximum Flow:	17.4 GPM (78.0 l/min)
Maximum Pressure:	14,500 PSI (1000 bar)
Spray Angle:	20°
Maximum Temperature:	212° F (100° C)
Weight:	1lb. 4 ozs.
Connection:	1/4" FBSP*

*Other sizes are available. Please consult factory.
See Reverse side for connection methods.

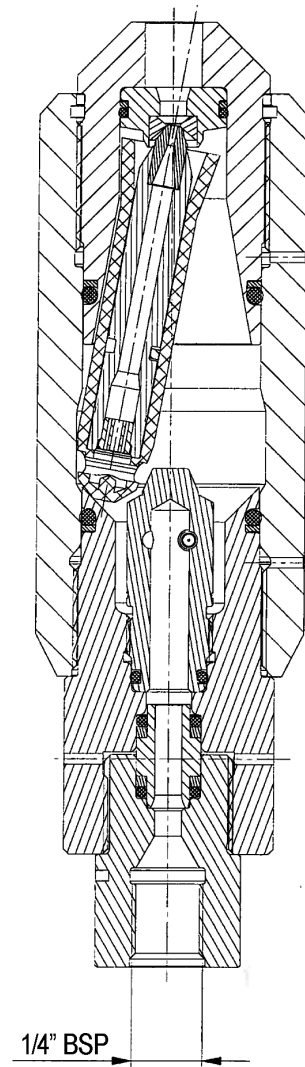
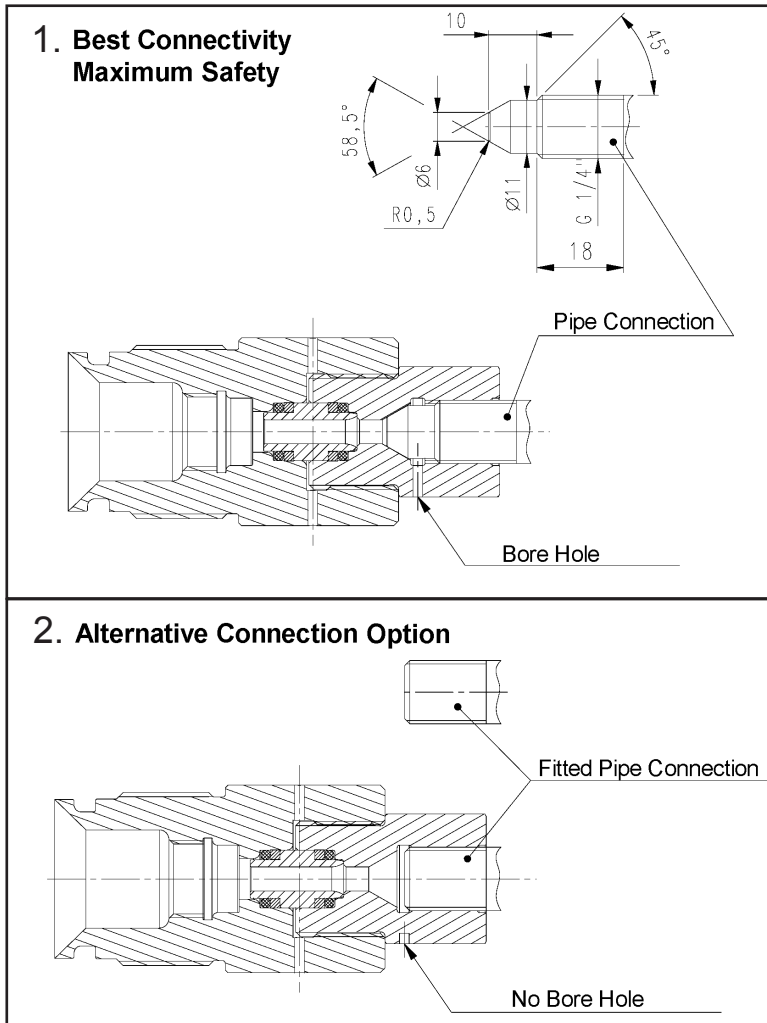
Item	Part #	Description	Qty.
1	06971	Bearing Plug	1
2	06972	Support Ring	2
3	06973	O-Ring	2
4	*(see note)	Bearing Retainer	1
5	*(see note)	Support Ring	1
6	*(see note)	O-Ring	1
7	*(see note)	Metal Bearing	1
8	*(see note)	Rotor	1
9	*(see note)	Metal Nozzle	1
10	*(see note)	Rectifier	1
11	*(see note)	Rotor Disc	1
12	*(see note)	O-Ring	1
13	*(see note)	Rotor	1
14	*(see note)	Dense Cone	1
15	06975	O-Ring	1
16	06978	Discharge Casing	1
17	06976	Drive Plug	1
18		Drive Nipple	1
19		Ceramic Nozzle	2

*Note: Items 4-13 are only available as a kit

Model # Repair Kits # Nozzle Size

23850-1.8	09545-018	#1.8
23850-2.0	09545-020	#2.0
23850-2.5	09545-025	#2.5
23850-3.0	09545-030	#3.0
23850-3.5	09545-035	#3.5
23850-4.0	09545-040	#4.0
23850-4.5	09545-045	#4.5
23850-5.0	09545-050	#5.0
23850-5.5	09545-055	#5.5
23850-6.0	09545-060	#6.0
23850-6.5	09545-065	#6.5
23850-7.0	09545-070	#7.0
23850-7.5	09545-075	#7.5
23850-8.0	09545-080	#8.0
23850-8.5	09545-085	#8.5
23850-9.0	09545-090	#9.0
23850-10.0	09545-10.0	#10.0
23850-10.5	09545-10.5	#10.5
23850-11.0	09545-11.0	#11.0

To connect pipe to the turbo nozzle, use one of the following methods:



MAINTENANCE NOTICE:

If turbo will not spin, take unit apart and clean the nozzle. If turbo still will not spin, have an authorized distributor repair nozzle.

WARNING:

- *Never put your hand into the rotating water blast.
- *Always wear protective gear.
- *Never aim the blast at people or animals.
- *Never aim the blast at live electrical appliances.



GIANT INDUSTRIES, INC.
 900 N. Westwood Ave.
 Toledo, Ohio 43607
 PHONE (419) 531-4600
 FAX (419) 531-6836
 www.giantpumps.com
 © Copyright 2014 Giant Industries, Inc.