

Models Pressure Switches

23175A-4000

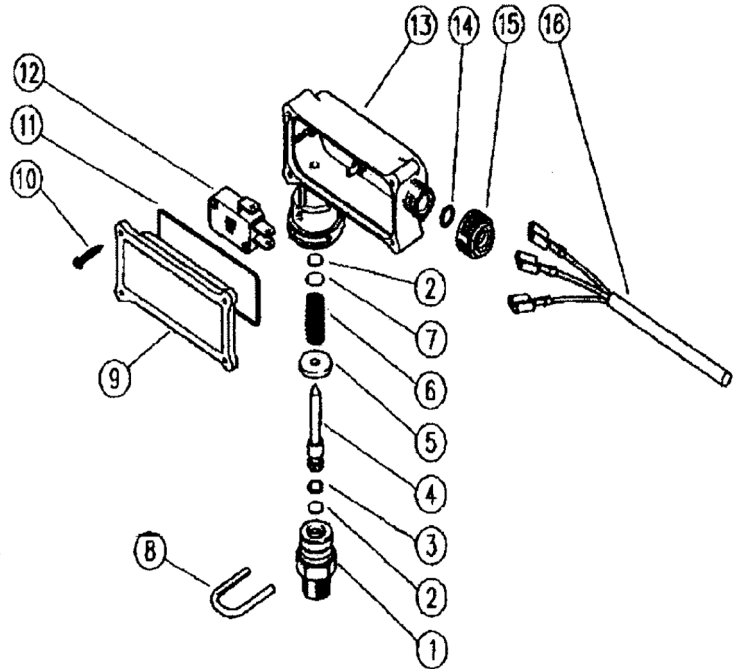
23176A-4000

Parts List

Item	Part#	Description	Quantity
1	14092	1/4" S.S. Nipple (23175A-4000)	1
1	14085	3/8" S.S. Nipple (23176A-4000)	1
2	14044	O-Ring	2
3	14039	Backup Ring	1
4	14086	Brass Piston	1
5	14041	Washer	1
6	14093	Spring, 580 PSI (23175A-4000)	1
6	14042	Spring, 360 PSI (23176A-4000)	1
7	08619	Washer (4 x 8mm)	1
8	14045	Clip, S.S.	1
9	14087	Cover	1
10	08794	Screw	4
11	14088	O-Ring	1
12	08795	Microswitch	1
13	14089	Plastic Case	1
14	14090	O-Ring	1
15	14091	Nut, Red (23176A-4000)	1
16	08802	Brass Housing	1

Repair Kit # Includes Items

09541	2, 3, 11, 14
09662 (23175A-4000)	1, 2, 3, 4, 5, 6, 7
09663 (23176A-4000)	1, 2, 3, 4, 5, 6, 7



Operating Specifications:

Maximum Pressure: (23175A-4000) 3650 PSI
(23176A-4000) 3650 PSI

Maximum Temperature: 165°F

Inlet Port: (23175A-4000) 1/4" MNPT
(23176A-4000) 3/8" MBSP

Actuation Pressure: (23175A-4000) 580 PSI
(23176A-4000) 360 PSI

ELECTRICAL CONNECTION:

BROWN: Normally Open
BLUE: Normally Closed
RED: Common



Giant Industries, Inc.
900 N. Westwood Ave.
Toledo, Ohio 43607
419-531-4600
FAX 419-531-6836
www.giantpumps.com

INSTALLATION & OPERATING INSTRUCTIONS

Function

The 23175A-4000 & 23176A-4000 Pressure Switch signals the exceeding of a pre-set pressure, acting through a piston, which operates the switch lever.

The pre-fixed pressure ratings are: 360 psi (23176A-4000), and 580 psi (23175A-4000). Pressure setting is fixed.

Selection

Select the pressure switch suitable for the rated system pressure and on/off operations. Make sure that the operating current valve is below the maximum rated valve. The switch fixed setting is distinguished by three different colors of the nut. Black > 580 psi - Red > 360 psi.

Installation

When installed on hot water cleaners, this accessory must be installed before the boiler. This accessory must be installed on a finished pressure washer. Electrical installation is to be carried out by skilled personnel.

WARNING! - Always provide this electric device with correct grounding.

Identification Points

Stamping on the pressure switch plastic case:

C = Technical specifications

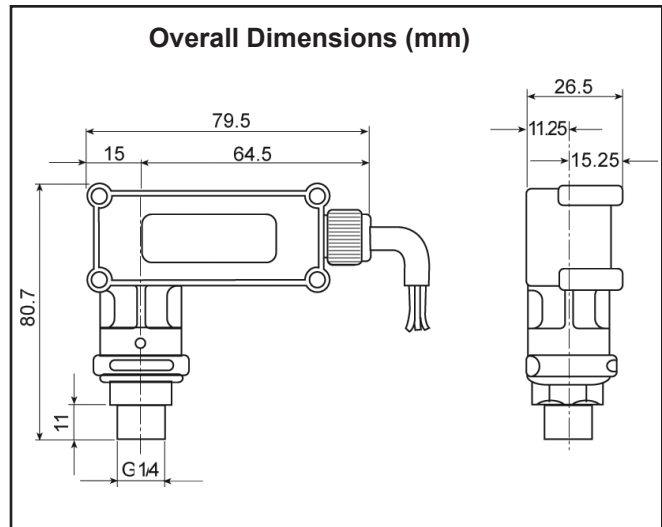
Stamping on the pressure switch plastic cover:

D = Date of manufacturing (month/year)

N = Name of product

L = PA logo CE

Color of the nut = fixed pre-set pressure



Troubleshooting

Problems	Probable Causes	Solutions
The pressure switch does not open	Faulty or missing electrical connection Broken microlever Broken spring Broken microcontacts Jammed piston	Check and/or replace Replace microswitch Replace Replace microswitch Check and/or clean
Fluid in the casing	Damaged piston seals Damaged nut seals	Check and/or replace Check and/or replace



Giant Industries, Inc.
900 N. Westwood Ave.
Toledo, Ohio 43607
419-531-4600
FAX 419-531-6836
www.giantpumps.com

© Copyright 2010 Giant Industries, Inc.

Wiring diagram

- 1) Red wire - 2) Blue wire
- 4) Brown wire

Electrical Connection

- N.O. Red + Brown - Normally Open
- N.C. Red + Blue - Normally Closed

