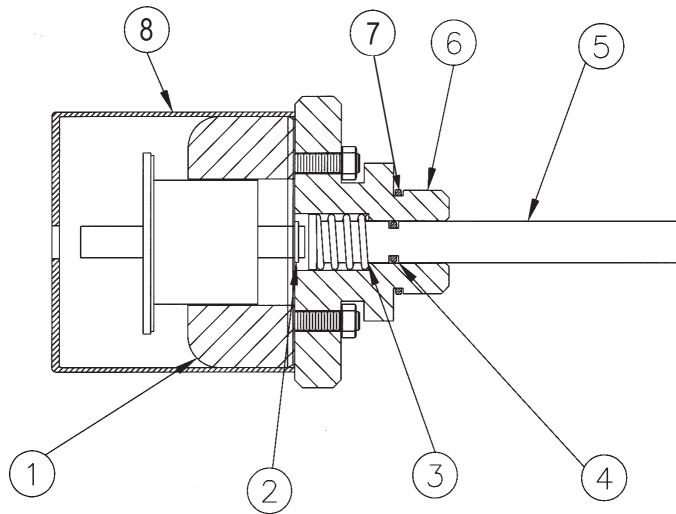


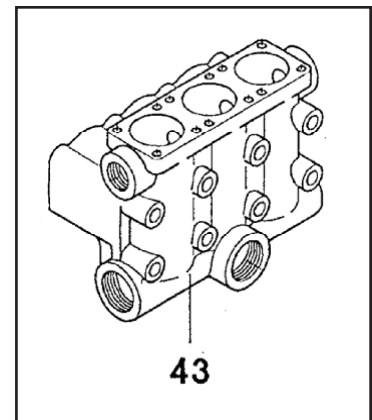
# Model 22742SB

**Electric Pulsator Valve  
FOR USE ON  
GP5128/GP5132/  
GP5136/GP5142  
& GP5145**



Item	Part #	Description	Quantity
1	06940	Solenoid - 12VDC	1
2	05155	E-Clip	1
3	12328	Return Spring	1
4	07937	O-Ring	1
5	06497SL	Pulsator Rod	1
6	06499S	Nut	1
7	08541	Seal Ring, 1/2"	1
8	06979	Cover for Solenoid	1

\*Note: Before installation move #5 pulsator rod a few times as assembly grease may set during shipping.



GP5100 Series Valve Casing

## ASSEMBLY OF THE 22742SB

- 1) Make sure seal ring (7) is on nut (6).
- 2) Thread complete unit into the bottom of the Valve Casing (43) of the pump.

Note: Do not rotate cover (8).



**WARNING:** This product might contain a chemical known to the State of California to cause cancer, and birth defects or other reproductive harm.

For more information go to [www.P65Warnings.ca.gov](http://www.P65Warnings.ca.gov)

**GIANT**  
Performance Under Pressure

**Giant Industries, Inc.**  
900 N. Westwood Ave.  
Toledo, Ohio 43607  
(419) 531-4600  
FAX (419) 531-6836  
[www.giantpumps.com](http://www.giantpumps.com)

© Copyright 2024 Giant Industries, Inc.

04/24 22742SB.INDD