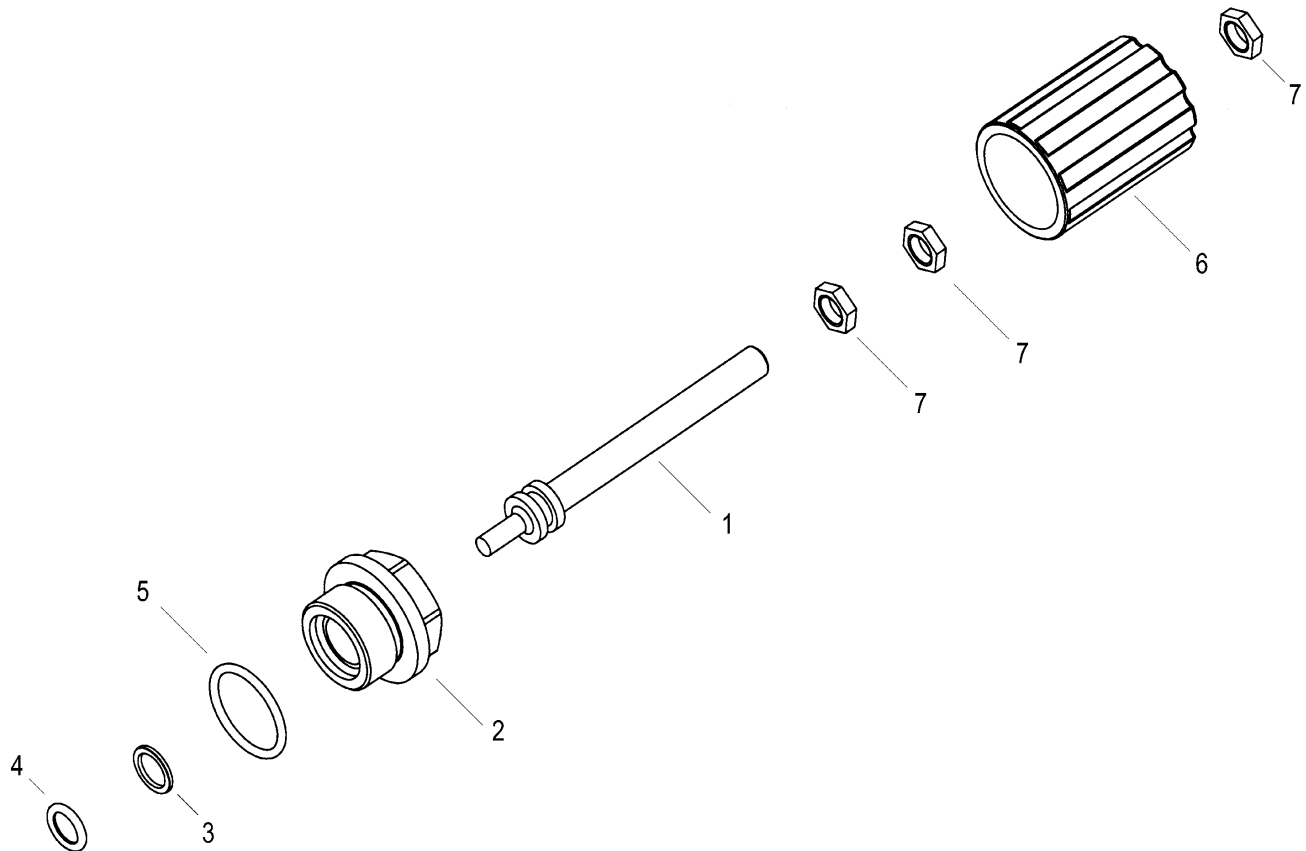


Model 22741

Pulsator Valve

FOR USE ON LP123 PUMPS



<u>Item</u>	<u>Part #</u>	<u>Description</u>
1	05260	Pulsator Rod
2	05261	Pulsator Cap
3	08324	Back-up Ring
4	03001	O-Ring
5	12055	O-Ring
6	13263	Handwheel
7	12320	Limiting Nut

<u>Quantity</u>
1
1
1
1
1
1
3

GIANT

Giant Industries, Inc.
900 N. Westwood Ave.
P.O. Box 3187
Toledo, Ohio 43607
(419) 531-4600
FAX (419) 531-6836
www.giantpumps.com

© Copyright 2006 Giant Industries, Inc.

INSTALLATION INSTRUCTIONS

22741 Pulsator Valve

For use on LP123 pumps

- 1). Remove center inlet valve plug from the front of the pump manifold.
- 2). Adjust the hand wheel (6) on the pulsator until it is all the way out by turning it counter clockwise. (Note: the handwheel will stop when it is all the way out.)
- 3). Install the pulsator assembly into the center inlet valve port and tighten with a 27 mm wrench.

OPERATING INSTRUCTIONS

- 1). To use the pump as a pulsating pump, turn the handwheel (6) clockwise until it is tight.
- 2). To use the pump as a pressure washer, turn the hand wheel counterclockwise until it stops.