

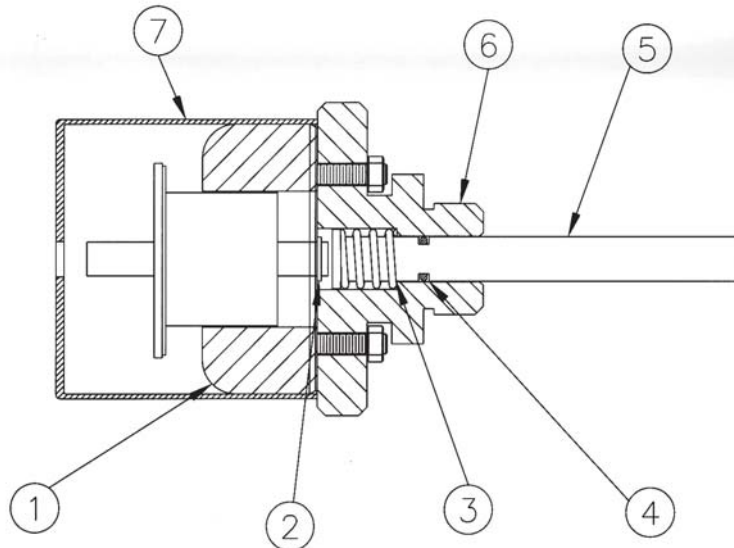
# Model 22737S(B)

## Electric Pulsator Valve

FOR USE ON  
LP301A

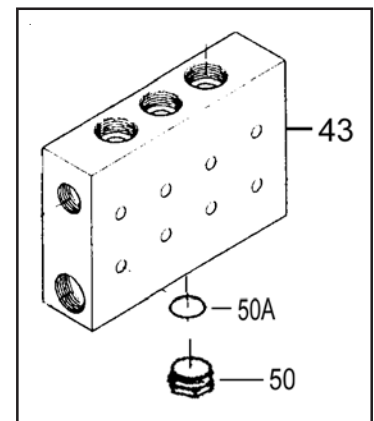
22737S = Pulsator Valve without cover

22737SB = Pulsator Valve with cover



Item	Part #	Description	Quantity
1	06940	Solenoid	1
2	05155	E-Clip	1
3	12328	Return Spring	1
4	07937	O-Ring	1
5	06497S	Pulsator Rod	1
6	06499S	Nut	1
7	06979	Cover for Solenoid (22737SB only)	1

\*Note: Before installation move #5 pulsator rod a few times as assembly grease may set during shipping.



LP301A Pump

### ASSEMBLY OF THE 22737S

- 1) Take plug (50) and steel ring (50A) out of the bottom of the valve casing (43).
- 2) Take steel ring (50A) and place it on nut (6) of the 22737S and thread complete unit into the bottom of the valve casing (43) of the LP301A.
- 3) If a cover (5) is required, thread wires through exit hole and snap onto nut (6). Note: Do not rotate cover (5).



**Giant Industries, Inc.**  
900 N. Westwood Ave.  
Toledo, Ohio 43607  
(419) 531-4600  
FAX (419) 531-6836  
www.giantpumps.com