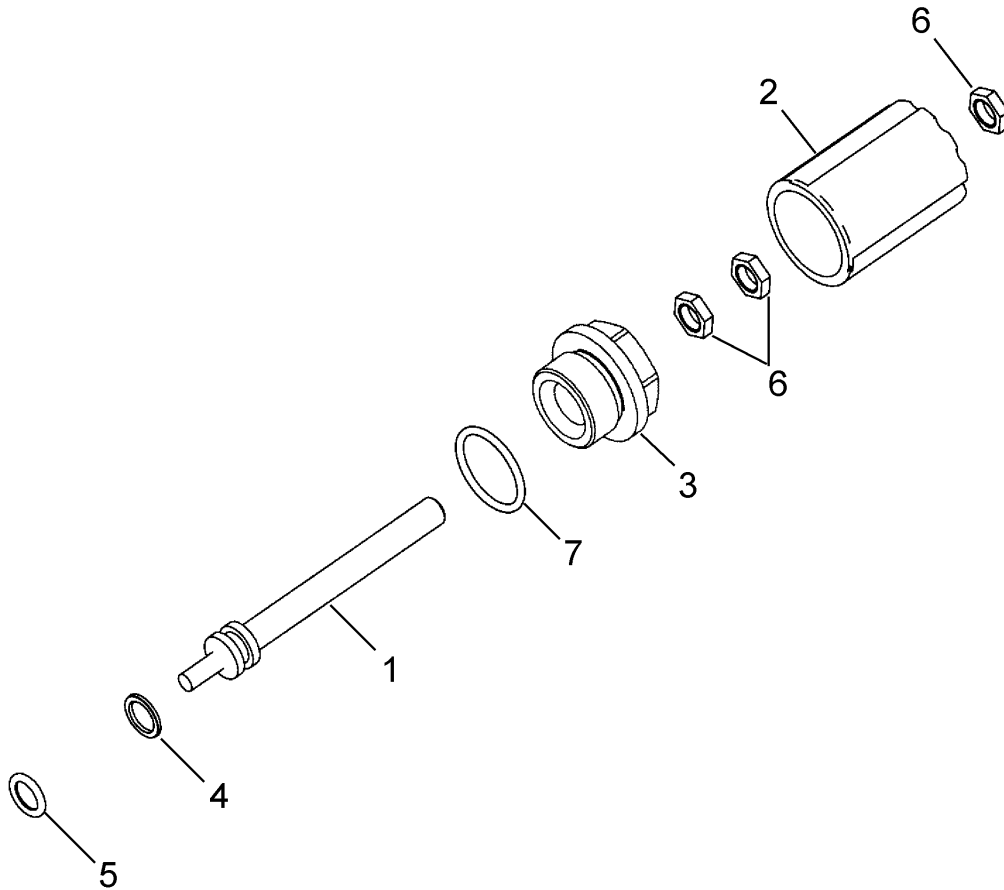


# Model 22735

## Pulsator Valve

FOR USE ON  
P420 & P422



<u>Item</u>	<u>Part #</u>	<u>Description</u>	<u>Quantity</u>
1	12278	Stem	1
2	13263	Handwheel	1
3	12279	Valve Plug	1
4	08324	Back-up Ring	1
5	03001	O-Ring	1
6	12320	Limiting Nut	3
7	07214	O-Ring	1

# GIANT

Giant Industries, Inc.  
900 N. Westwood Ave.  
P.O. Box 3187  
Toledo, Ohio 43607  
(419) 531-4600  
FAX (419) 531-6836  
www.giantpumps.com

© Copyright 2001 Giant Industries, Inc.

# INSTALLATION INSTRUCTIONS

## 22735 Pulsator Valve

For use on P420 & P422

- 1). Remove center inlet valve plug from the front of the pump manifold.
- 2). Adjust the hand wheel (2) on the pulsator until it is all the way out by turning it counter clockwise. (Note: the handwheel will stop when it is all the way out.)
- 3). Install the pulsator assembly into the center inlet valve port and tighten with a 33 mm wrench.

# OPERATING INSTRUCTIONS

- 1). To use the pump as a pulsating pump, turn the handwheel (3) clockwise until it is tight.
- 2). To use the pump as a pressure washer, turn the hand wheel counterclockwise until it stops.