

Series 22700



Model #	Nozzle Size	Repair Kit*
22700-20	#2.0	09470-20
22700-30	#3.0	09470-30
22700-35	#3.5	09470-35
22700-40	#4.0	09470-40
22700-45	#4.5	09470-45
22700-50	#5.0	09470-50
22700-55	#5.5	09470-55
22700-60	#6.0	09470-60

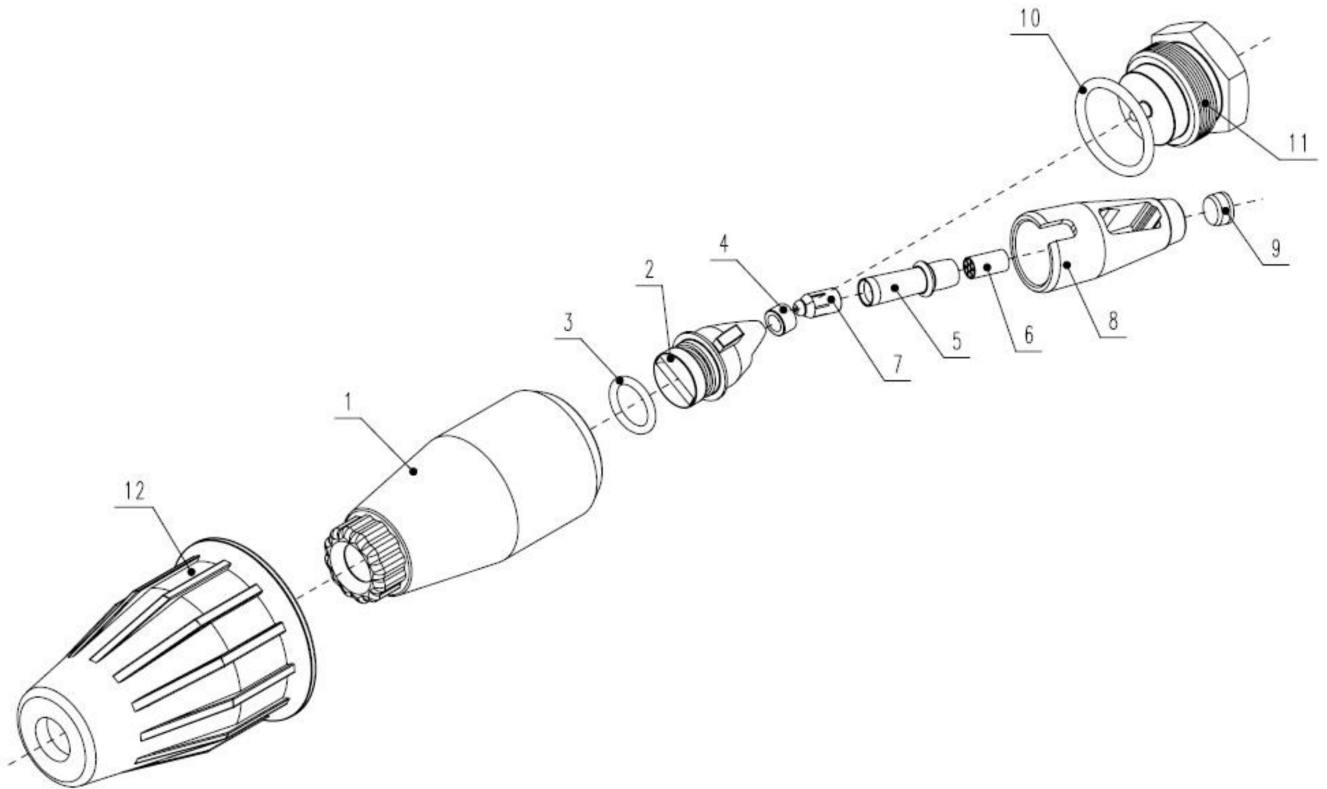


*Kit includes items 2-11

MAINTENANCE NOTICE:

If turbo will not spin, take unit apart and clean the nozzle.

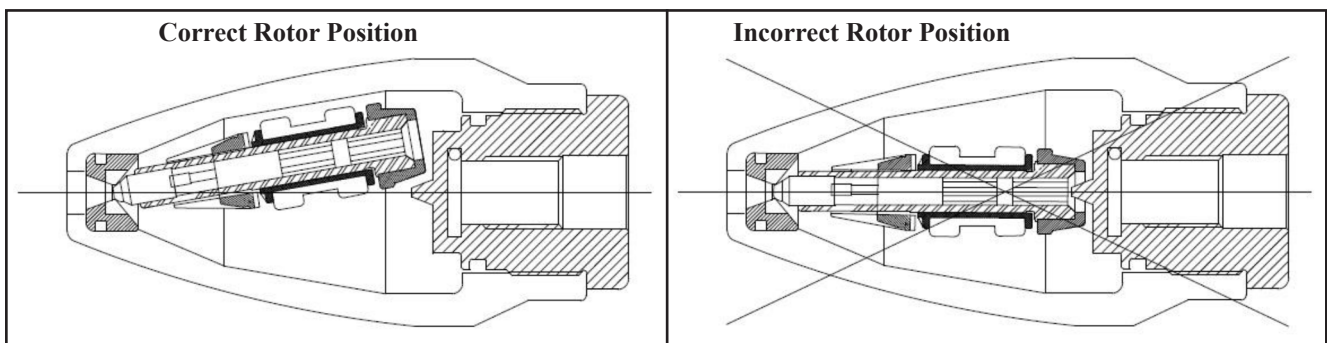
If turbo still will not spin, have an authorized distributor repair nozzle.



Operating Conditions		Parts List	
	U.S.	Metric	
Max. Pressure:	3000 PSI	200 bar	
Maximum Temperature:	195 °F	100 °C	
Weight:	1.4 lbs	635 g	
Inlet:	1/4" BSPP		
Spray Angle:	25°		
Item	Part#	Description	Quantity
1	06342	Discharge Casing	1
12	06341	Rubber Cap	1
Note: Item numbers 2-10 are sold in kits			

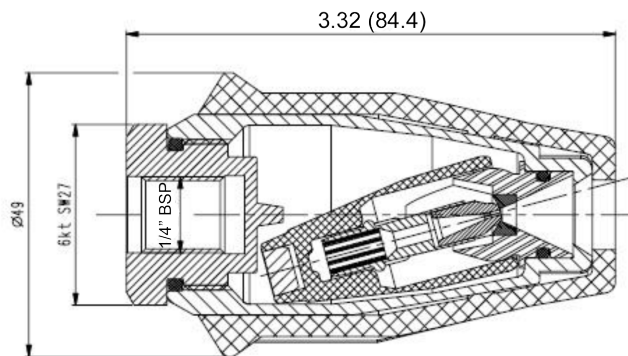
Turbo Laser Repair Instructions

- 1) Remove the rubber cap (12) from the discharge casing (1).
- 2) Using a 27mm boxed end wrench unscrew drive plug (11) from discharge casing (1).
- 3) Using a wooden dowel press out (2-9) from the top side of discharge casing (1).
- 4) Replace items 2-10 with parts from kit. Make sure item 8 first into the tab of item 2.
- 5) Replace rubber cap (12). Tighten drive plug (11) into discharge casing (1). Softly shake assembly to ensure the parts freely move (see diagram below).



Turbo Laser Operating Instructions

Warning: Never put your hand in the rotating water blast. Always wear eye protection. Never aim the blast at people or animals. Never aim the blast at live electrical appliances.



WARNING: This product might contain a chemical known to the State of California to cause cancer, and birth defects or other reproductive harm.

For more information go to www.P65Warnings.ca.gov

GIANT

Performance Under Pressure

Giant Industries, Inc.

900 N. Westwood Ave.

Toledo, Ohio 43607

PHONE: 419-531-4600

FAX: 419-531-6836

www.giantpumps.com

© Copyright 2023 Giant Industries, Inc.