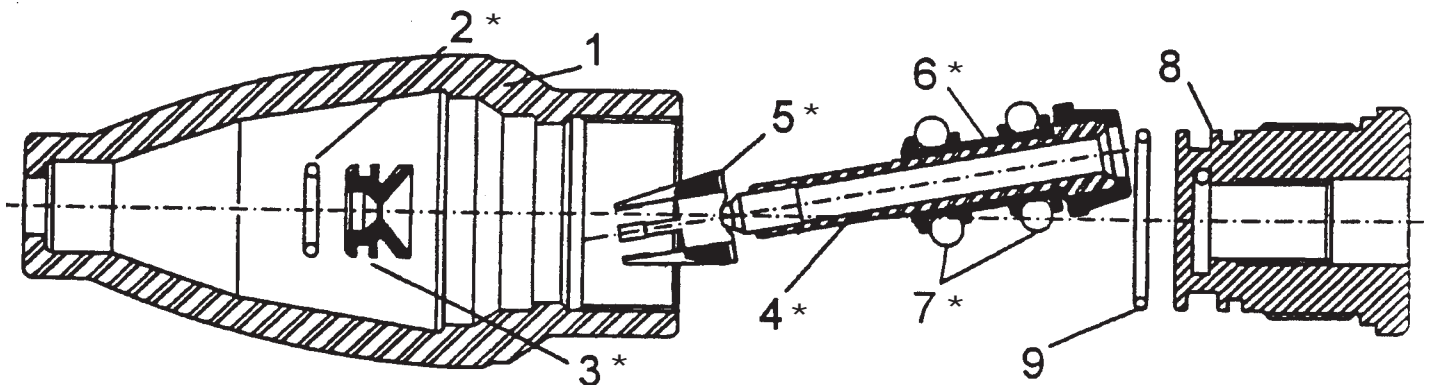


Series 22400

Turbo Nozzle



<u>Model #</u>	<u>Nozzle Size</u>	<u>Model #</u>	<u>Nozzle Size</u>
22400-20	2.0	22400-65	6.5
22400-25	2.5	22400-70	7.0
22400-30	3.0	22400-75	7.5
22400-35	3.5	22400-80	8.0
22400-40	4.0	22400-90	9.0
22400-45	4.5	22400-10.0	10.0
22400-50	5.0	22400-11.0	11.0
22400-55	5.5	22400-12.0	12.0
22400-60	6.0		



Parts List

Item	Part#	Description	Quantity
1	27020	Pressure Casing	1
8	27019	Drive Plug	1
9	13436	O-Ring	1

Operating Conditions

	U.S.	Metric
Max. Flow:	15.9 GPM	60.2 l/m
Max. Pressure:	7250 PSI	500 bar
Max. Temperature:	212° F	100° C
Spray Angle:	20°	
Weight:	1.8 lbs.	.82kg
Connection:	1/4" BSP	

Note: Item numbers 2-7 are sold in kits
(Refer to repair instructions on back page
for installation of kits)



<u>Repair Kits#</u>	<u>Nozzle</u>	<u>Parts #</u>
09485-2.0 (22400-20)	#2.0	2-7
09485-2.5 (22400-25)	#2.5	2-7
09485-3.0 (22400-30)	#3.0	2-7
09485-3.5 (22400-35)	#3.5	2-7
09485-4.0 (22400-40)	#4.0	2-7
09485-4.5 (22400-45)	#4.5	2-7
09485-5.0 (22400-50)	#5.0	2-7
09485-5.5 (22400-55)	#5.5	2-7
09485-6.0 (22400-60)	#6.0	2-7
09485-6.5 (22400-65)	#6.5	2-7
09485-7.0 (22400-70)	#7.0	2-7
09485-7.5 (22400-75)	#7.5	2-7
09485-8.0 (22400-80)	#8.0	2-7
09485-9.0 (22400-90)	#9.0	2-7
09485-10.0 (22400-10.0)	#10.0	2-7
09485-11.0 (22400-11.0)	#11.0	2-7
09485-12.0 (22400-12.0)	#12.0	2-7

MAINTENANCE NOTICE:

If turbo will not spin, take unit apart and clean the nozzle. If turbo still will not spin, have an authorized distributor repair nozzle.

TURBO LASER REPAIR INSTRUCTIONS

- 1) Using a 24mm boxed end wrench and 24mm socket, unscrew the pressure casing (item #1) from drive plug (item #8).
- 2) Remove rotor assembly (items #4-7) and replace with assembly found in kit.
- 3) Using a 5/16" wooden dowel rod press out seat assembly (item #2 & 3) from the top side of pressure casing (item#1). Replace with new seat assembly (item #2 & 3).
- 4) Insert rotor assembly (items #4-7) into the pressure casing (item #1) and secure drive plug (item #8) onto the pressure casing.

Note: Gently shake entire turbo nozzle to make sure that it is properly assembled. If there is no movement, confirm that the seat is pushed in as much as possible and repeat step 4.



Giant Industries, Inc.

900 N. Westwood Ave., Toledo, Ohio 43607
 Phone: 419-531-4600 Fax: 419-531-6836
www.giantpumps.com