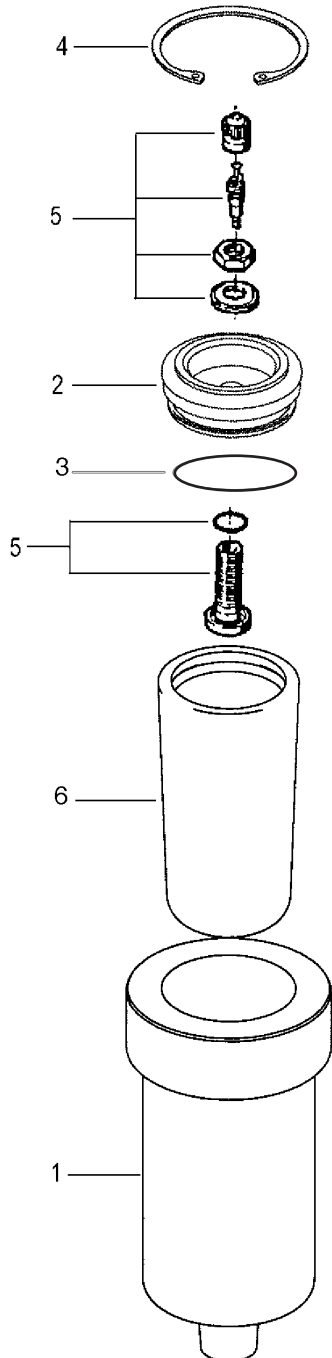


Models

Rebuildable Stainless Steel Accumulators

**22050A/22050A-0033/22050A-5100/
22155A/22155A-5100**



ITEM #	PART #	DESCRIPTION	QTY
1	22051B	Body 316 S.S. (22050A / 22050A-0033 / 22050A-5100)	1
1	22154B	Body 316 S.S. (22155A / 22155A-5100)	1
2	22052B	Top, 303 S.S. (22050A / 22050A-0030 / 22155A)	1
2	22052B-0100	Top, 316 S.S. (22050A-5100 / 22155A-5100)	1
3	05640	O-Ring (except 22050A-0033)	1
3	05640-0003	O-Ring, EPDM (22050A-0033 only)	1
4	22054A	Snap Ring	1
5	22036	Valve Assembly*	1
6	22028	Bladder (22050A / 22050A-5100)	1
6	22025-003	Bladder (22050A-0033)	1
6	22029	Bladder (22155A / 22155A-5100) *(Sold only as one unit and includes valve, valve core, nut, valve cap o-ring and washer)	1

OPERATING CONDITIONS

Maximum Flow (22050A/22050A-0033/22050A-5100):	12 GPM
Maximum Flow (22155A/22155A-5100):	30 GPM
Maximum Pressure:	3000 P.S.I.
Maximum Temperature:	200 °F
Maximum Pressure Precharge:	1500 P.S.I. Max
Connection (22050A/22050A-0033/22050A-5100):	1/2" MNPT
Connection (22155A/22155A-5100):	3/4" MNPT
Capacity (22050A/22050A-0033/22050A-5100):	6.75 cu in.
Capacity (22155A/22155A-5100):	9.1 cu in.
Burst Strength:	10,000 P.S.I.

NOTE: Precharge pressure is always one-half operating pressure. Unless requested, all pulsation dampeners (accumulators) will be charged to 800 PSI.

* For re-charging, order refill valve (p/n 20000).

INSTALLATION & OPERATING INSTRUCTIONS

It is recommended that the Accumulator be mounted pointing down as a safety precaution. This mounting procedure also allows the Accumulator to remain cooler during system operation and prolongs the effective operating life of the accumulator bladder.

NOTE: Shelf life of the nitrogen pre-charge of Accumulators is approximately six months before recharge is necessary.

Giant recommends the nitrogen pre-charge be checked approximately every three (3) months after Accumulator is installed in a pressure system.

CAUTION: Accumulator is to be pre-charged with nitrogen to one-half of the system operating pressure. Do not pre-charge beyond the rated operating pressure.

WARNING: Always fully discharge nitrogen pre-charge from bladder before attempting any repairs.

REPAIR INSTRUCTIONS

- 1) Discharge nitrogen from bladder by pressing on the valve stem with a small rod or screwdriver. **Caution:** Never attempt to discharge using your finger or fingernail or contents will form a frost upon release.
- 2) Remove snap ring (item #4) using a standard snap ring pliers. To remove bladder and cap, insert a wood or brass rod through the inlet and tap sharply. **Note:** If bladder is removed, a new bladder must be installed for proper operation.
- 3) Carefully inspect inside surfaces of the body (item #1) for signs of wear. Worn surfaces will cause accelerated wear on the bladder and premature failure.
- 4) Next, inspect o-ring (Item #3) for damage. Replace if necessary.
- 5) Clean all parts that are to be reused paying special attention to the outside surfaces of the cap (item #2). Be sure to remove all old sealant. Valve assembly (item #5) can be serviced now if necessary.
- 6) Coat inside diameter of the bladder using "PRO P-25 Professional Bead Sealer" or other similar sealant. Coat only the top 1" of the bladder.
- 7) Install cap/valve assembly in bladder. Coat outside diameter of bladder and o-ring with oil or grease. Insert bladder/cap assembly into body as far as it will go by hand. Now with a large socket and a hammer or arbor press, install the assembly until the top of the cap clears the snap ring groove. Make sure assembly is not cocked.
- 8) Replace the snap ring so that the sharp edge of the ring is visible.
- 9) Charge bladder with nitrogen to 1/2 of the system operating pressure not to exceed 1500 PSI.
- 10) **Never** use any gas other than nitrogen to charge the bladder.



WARNING: This product might contain a chemical known to the State of California to cause cancer, and birth defects or other reproductive harm.
For more information go to www.P65Warnings.ca.gov

GIANT
Performance Under Pressure

Giant Industries, Inc.
900 N. Westwood Ave., Toledo, Ohio 43607
419-531-4600 Fax: 419-531-6836
www.giantpumps.com
© Copyright 2020 Giant Industries, Inc.