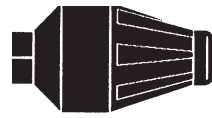


Series 22040B

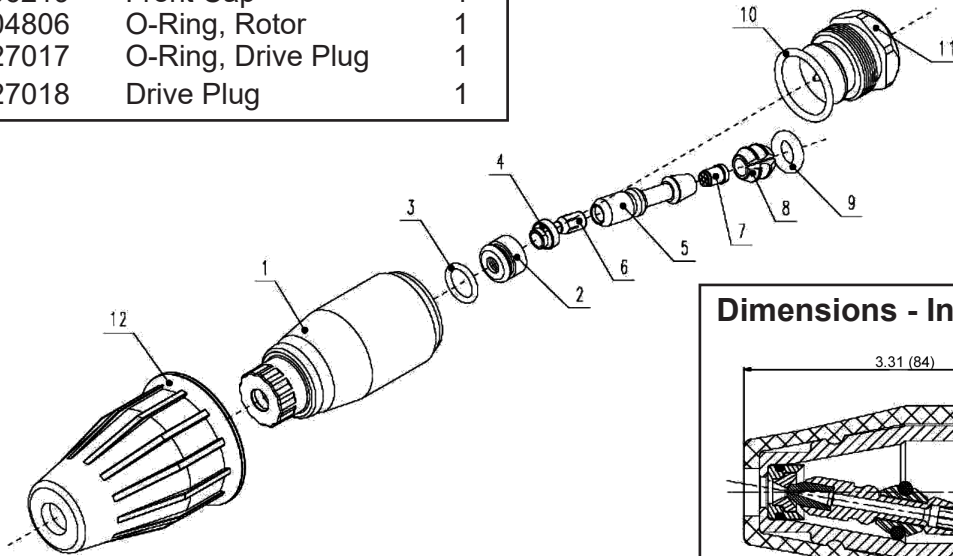
Turbo Nozzle



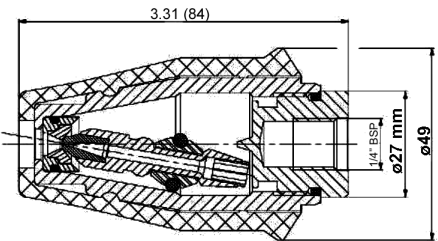
Turbo Laser

TM

Parts List			
Item	Part#	Description	Qty
12	06219	Front Cap	1
9	04806	O-Ring, Rotor	1
10	27017	O-Ring, Drive Plug	1
11	27018	Drive Plug	1



Dimensions - Inches (mm)



Operating Conditions

Maximum Flow:	18.5 GPM (70 L/min)
Maximum Pressure:	3600 PSI (250 bar)
Maximum Temperature:	212 °F (100 °C)
Weight:	0.7 lbs. (320 g)
Bearing:	Ceramic
Nozzle:	Ceramic
Spray Angle:	20°
Connection:	1/4" FBSP**

* 22040B-45, 22040B-5.0, & 22040B-5.5 are all FNPT.

+ To convert from BSP to NPT threads you may order 06581 (1/4" MBSP x 1/4" FNPT) or 06581M (1/4" MBSP x 1/4" MNPT)

MAINTENANCE NOTICE:

If turbo will not spin, take unit apart and clean the nozzle. If turbo still will not spin, have an authorized distributor repair nozzle.

Repair Kits (includes items 2-10)

Part Number	Repair Kit	Nozzle Size
22040B-20	09440A-20	2.0
22040B-25	09440A-25	2.5
22040B-30	09440A-30	3.0
22040B-35	09440A-35	3.5
22040B-40	09440A-40	4.0
22040B-45	09440A-45	4.5
22040B-50	09440A-50	5.0
22040B-55	09440A-55	5.5
22040B-60	09440A-60	6.0
22040B-65	09440A-65	6.5
22040B-70	09440A-70	7.0
22040B-80	09440A-80	8.0
22040B-85	09440A-85	8.5
22040B-90	09440A-90	9.0
22040B-10.0	09440A-10	10.0
22040B-12.0	09440A-12.0	12.0
22040B-20.0	09440A-20.0	20.0



TURBO LASER REPAIR INSTRUCTIONS

- 1) Remove cover (12).
- 2) While holding the end of the housing (1), use a 27 mm wrench to remove the drive plug (11).
- 3) Remove rotor assembly (4-9).
- 4) From the top of the housing (1), use a 5/16" wooden dowel rod and press out ceramic seat (2) and o-ring (3). From the top side of the housing (1). Replace with new ceramic seat and o-ring.
- 5) Replace o-ring (10) on drive plug (11).
- 6) Replace rotor assembly (4-9). Tighten the drive plug onto housing (1). Gently shake nozzle to make sure the rotor assembly can move.
- 7) Push cover (12) over the housing (1).

Performance Chart			
Part Number	Nozzle Size	Flow- US (GPM)	Flow-Metric (L/min)
22040B-30	3.0	1.9	7.3
22040B-35	3.5	3.3	12.3
22040B-40	4.0	3.8	14.4
22040B-45	4.5	4.3	16.3
22040B-50	5.0	4.7	17.7
22040B-55	5.5	5.3	20.2
22040B-60	6.0	5.7	21.7
22040B-65	6.5	6.2	23.4
22040B-70	7.0	6.7	25.3
22040B-80	8.0	7.6	28.8
22040B-85	8.5	8.1	30.7
22040B-90	9.0	8.8	33.2
22040B-10	10.0	9.5	36
22040B-12.0	12.0	11.4	43
22040B-20.0	20.0	18.5	70



WARNING: This product might contain a chemical known to the State of California to cause cancer, and birth defects or other reproductive harm.
For more information go to www.P65Warnings.ca.gov

GIANT
Performance Under Pressure

Giant Industries, Inc.
900 N. Westwood Ave.
Toledo, Ohio 43607
PHONE: 419-531-4600
FAX: 419-531-6836
www.giantpumps.com

© Copyright 2024 Giant Industries, Inc.

10/24 22040B.indd