

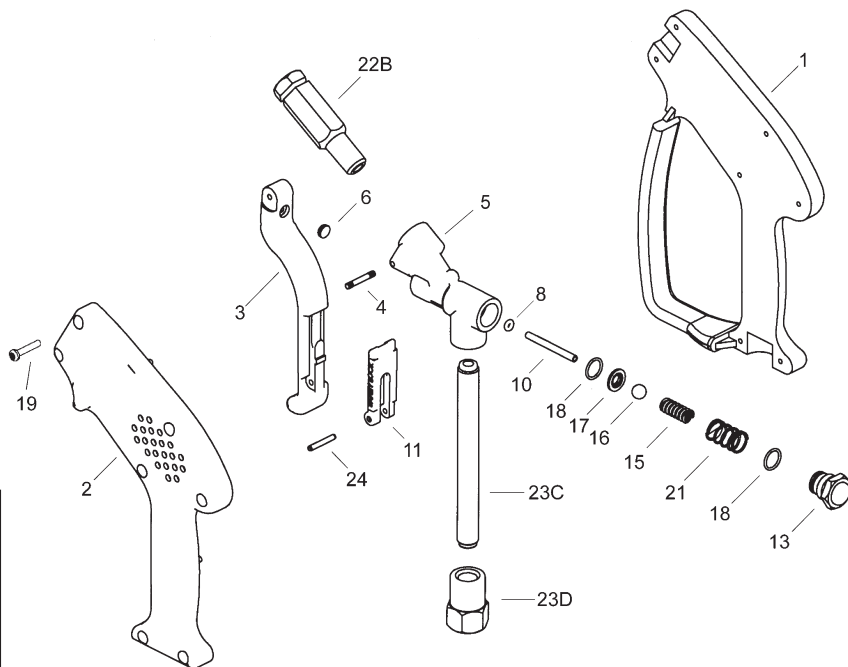
Models

Shut-Off Guns

21260A, 21265A, 21290C, 21290C-001, 21290CB, 21290CC, 21290CCB, 21290C-CR, 21295C, 21295C-001, 21295CB, 21295CC, 21295CX, 21490, 21495, 21495CB

Non-Weep Guns: 21260A
21290C
21290C-001
21290CB
21290CC
21290CCB
21290C-CR
21490

Weep Guns: 21265A
21295C
21295C-001
21295CB
21295CC
21295CX
21495
21495CB



OPERATING SPECIFICATIONS

Maximum Flow: 10 GPM (38 L/min)
Maximum Pressure: 5000 PSI (350 Bar)
Maximum Temp.: 300 °F (150 °C)
Inlet Port: 3/8" FNPT
Outlet Port: 1/4" FNPT

Item	Part #	Description	Qty.	Item	Part #	Description	Qty.
1	21271A**	Housing, Right, Black (except 21290CC/21290CCB/21295CC 21490/21495/21495CB)	1	13	21432	Cap (21290CB/21290CCB/ 21295CB/21495CB only)	1
1	21343A**	Housing, Right, Blue (21290CC/21290CCB/21295CC only)	1	15	21431	Valve Spring	1
1	21271B**	Housing, Right, Black (21490/21495/21495CB only)	1	16	21205	Valve Ball (except 21290C-CR)	1
2	21272A**	Housing, Left, Black (except 21290CC/21290CCB/21295C/ 21490/21495/21495CB)	1	16	21357	Valve Ball, Ceramic (21290C-CR only)	1
2	21344A**	Housing, Left, Blue (21290CC/21290CCB/21295CC only)	1	17	21218	Valve Seat, non-weep	1
2	21272B**	Housing, Left, Black (21490/21495/21495CB only)	1	17	21237	Valve Seat, weep (except 21295CX)	1
3	21273*	Trigger, black, non-weep	1	17	21237X	Valve Seat, weep (21295CX only)	1
3	21012*	Trigger, blue, weep	1	18	21217	O-Ring (except 21290C-001/21295C-001)	2
4	21214	Pin	1	18	21217-0010	O-Ring (21290C-001/21295C-001 only)	2
5	06411	Valve Body	1	19	21254	Self Tapping Screw	7
6	21213**	Cam, Trigger	1	21	21251	Spring	1
8	21210	O-Ring (except 21290C-001/21295C-001)	1	22B	21279C	Discharge Fitting (except 21260A/ 21265A/21290CB/21290CCB/21295CB/ 21495/21495CB)	1
8	21210-0010	O-Ring (21290C-001/21295C-001 only)	1	22B	21279A	Discharge Fitting (21290CB/21290CCB/21295CB/ 21495/21495CB)	1
10	21209	Control Bolt	1	23C	21331C	Inlet Tube (except 21290CB/21290CCB/21295CB/ 21495/21495CB)	1
11	21274*	Lock (except 21265A/21295C)	1	23C	21331	Inlet Tube (21290CB/21290CCB/21295CB/ 21495/21495CB)	1
11	21013*	Lock (21265A/21295C only)	1	23D	21244C	Inlet Fitting (except 21290CB/21290CCB/ 21295CB/21495CB)	1
13	21432C	Cap (except 21290CB/21290CCB/ 21295CB/21495CB)	1	23D	21244	Inlet Fitting (21290CB/21290CCB/21295CB/ 21495CB only)	1
				24	21236**	Lock Pin	1

Repair Kits (Includes items: 8, 10, 15-18, and 21)

Non-Weep Guns: # 21227/21227-CR

Weep Guns: # 21240

* Sold as an assembly - p/n 21001

+ Sold as an assembly - p/n 21001B

**Sold only as a set along with screws (19).

INSTALLATION & OPERATING INSTRUCTIONS

DISASSEMBLY OF THE 21200 SERIES

- 1) Remove the seven cheese head screws (item #19) that secure the two halves of the housing together. Remove housings (items #1 and #2).
- 2) Remove the cap (item #13), springs (items #21 and #15), and ball (item #16).
- 3) With a hooked screw driver, pull seat (#17) & o-ring (#18) out. Pull control bolt (#10) out. You may have to pick o-ring (#18) out of the valve body (#5) with a small hooked instrument.
- 4) Grease o-ring (#18) & control bolt (#10) & insert back into valve body (#15). Make sure it slides easily. Put o-ring (#18) on seat (#17) & push into place.
- 5) Assemble in reverse order.

WARNING: DO NOT USE ACID CONCENTRATES THROUGH GUN

WARNING: NEVER SECURE THE SHUT-OFF GUN IN AN OPEN POSITION (TRIGGER PULLED BACK) BY MEANS OTHER THAN THE OPERATOR'S HAND, ETC. BODILY HARM MAY OCCUR IF THE OPERATOR LOSES CONTROL OF THE SHUT-OFF GUN.

CAUTION: ALWAYS ENGAGE TRIGGER LOCKING MECHANISM (ITEM #11) WHEN NOT IN USE.



WARNING: This product might contain a chemical known to the State of California to cause cancer, and birth defects or other reproductive harm.
For more information go to www.P65Warnings.ca.gov

GIANT

Performance Under Pressure

Giant Industries, Inc.
900 N. Westwood Ave.
Toledo, Ohio 43607
Phone: 419-531-4600 Fax: 419-531-6836
www.giantpumps.com
© Copyright 2024 Giant Industries, Inc.