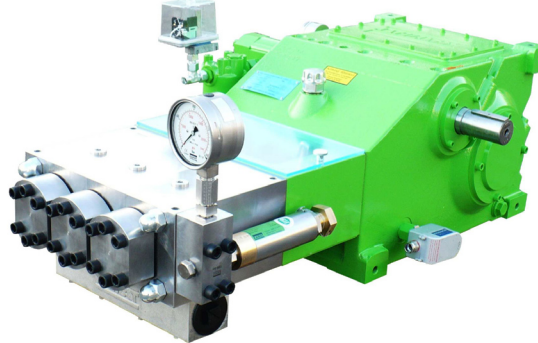


## K 13000-3G Triplex Plunger Pumps



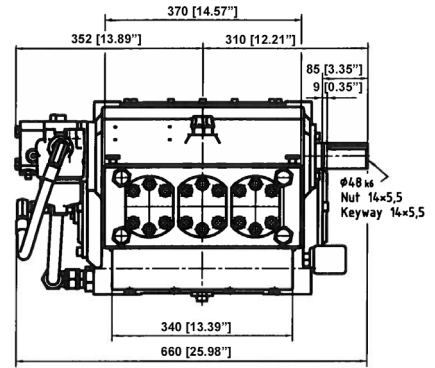
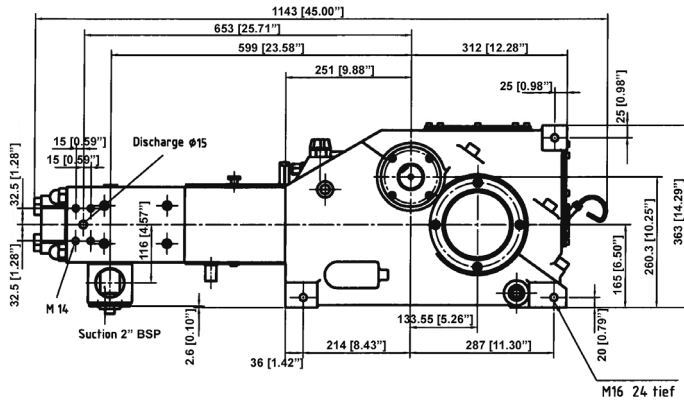
Rated Speed 475 RPM			Pressure at specific power inputs								Pump Head Style		
Type	FLOW		101 Hp	75 kW	121 Hp	90 kW	147 Hp	110 kW	174 Hp	130 kW	A	M	MC
	GPM	L/min	PSI	Bar	PSI	Bar	PSI	Bar	PSI	Bar			
K 13018-3G	10.0	38	15008	1035	17908	1235	21315	1470	21750	1500	X		
K 13020-3G	12.4	47	12325	850	14645	1010	17690	1220	20735	1430	X		
K 13022-3G	15.1	57	10368	715	12253	845	14718	1015	17110	1180	X		
K 13024-3G	18.0	68	8700	600	10440	720	12470	860	14428	995	X		
K 13026-3G	20.9	79	7468	515	8990	620	11020	760	12253	845	X		
K 13028-3G	24.3	92	6453	445	7685	530	9498	655	10585	730	X		
K 130303G	28.0	106	5655	390	6670	460	8193	565	9208	635	X		
K 130323G	31.7	120	4930	340	5945	410	7250	500	8120	560	X		
K 13036-3G	40.2	152	3770	260	4495	310	5510	380	6380	440	X	X	
K 13040-3G	49.7	188	2973	205	3553	245	4350	300	5148	355		X	X
K 13045-3G	62.9	238	2320	160	2828	195	3408	235	4060	280		X	X
K 13050-3G	77.7	294	1885	130	2248	155	2755	190	3263	225		X	X
K 13055-3G	93.8	355	1595	110	1885	130	2320	160	2683	185		X	X
K 13060-3G	111.8	423	1378	95	1595	110	1958	135	2248	155		X	X
K 13065-3G	131.0	496	1160	80	1378	95	1668	115	1958	135			X

Subject to change without notice

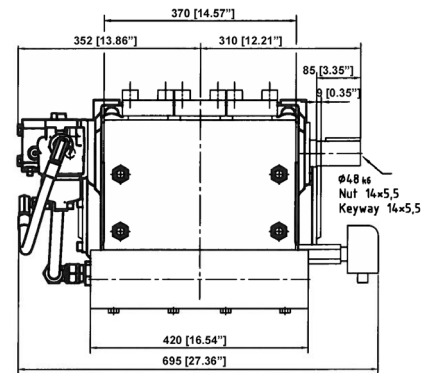
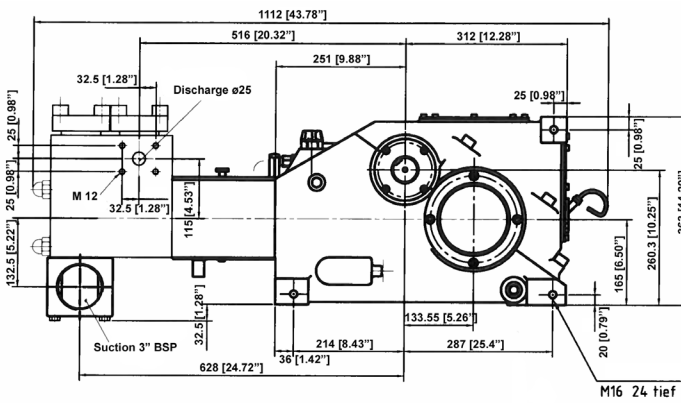
- ◆ Flow rate is based on 100% volumetric efficiency and 68° F (20° C) ambient temperature.
- ◆ Depending on fluid medium, a minimum inlet pressure is required.
- ◆ Depending on rod loading, a minimum crankshaft RPM is required).
- ◆ Dynamically balanced
- ◆ Gear with force-fed lubrication (at >147 Hp/110kW, oil cooler required.
- ◆ Standard Gear Ratios: i = 3.00, 3.14, 3.39, 3.76, 4.13, 4.50 and 4.93
- ◆ Weight: 970 lbs (440 kg)
- ◆ API 674 specifications available upon request.
- ◆ Contact your local distributor or Giant Industries for use with special mediums. i.e. seawater, glycol, methanol, oil, etc.

# Pump Dimensions mm(in)

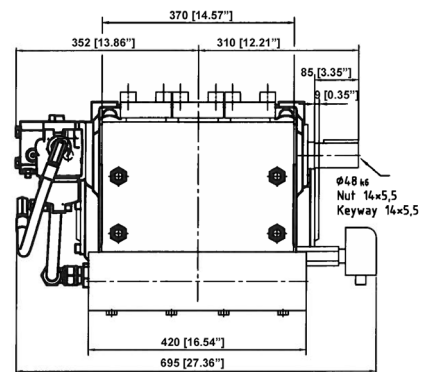
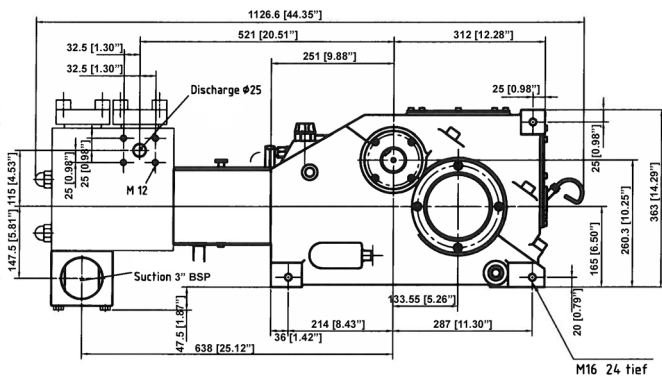
High Pressure Head A



Compact Head M



Compact Head (Low Pressure) MC



# GIANT

Performance Under Pressure

GIANT INDUSTRIES, INC.

900 N. Westwood Ave.

Toledo, Ohio 43607

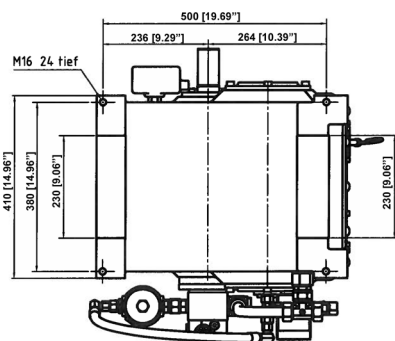
Phone: (419) 531-4600

Fax: (419) 531-6836

www.giantpumps.com

© Copyright 2014 Giant Industries, Inc.

Footprint



Vertical Mount

