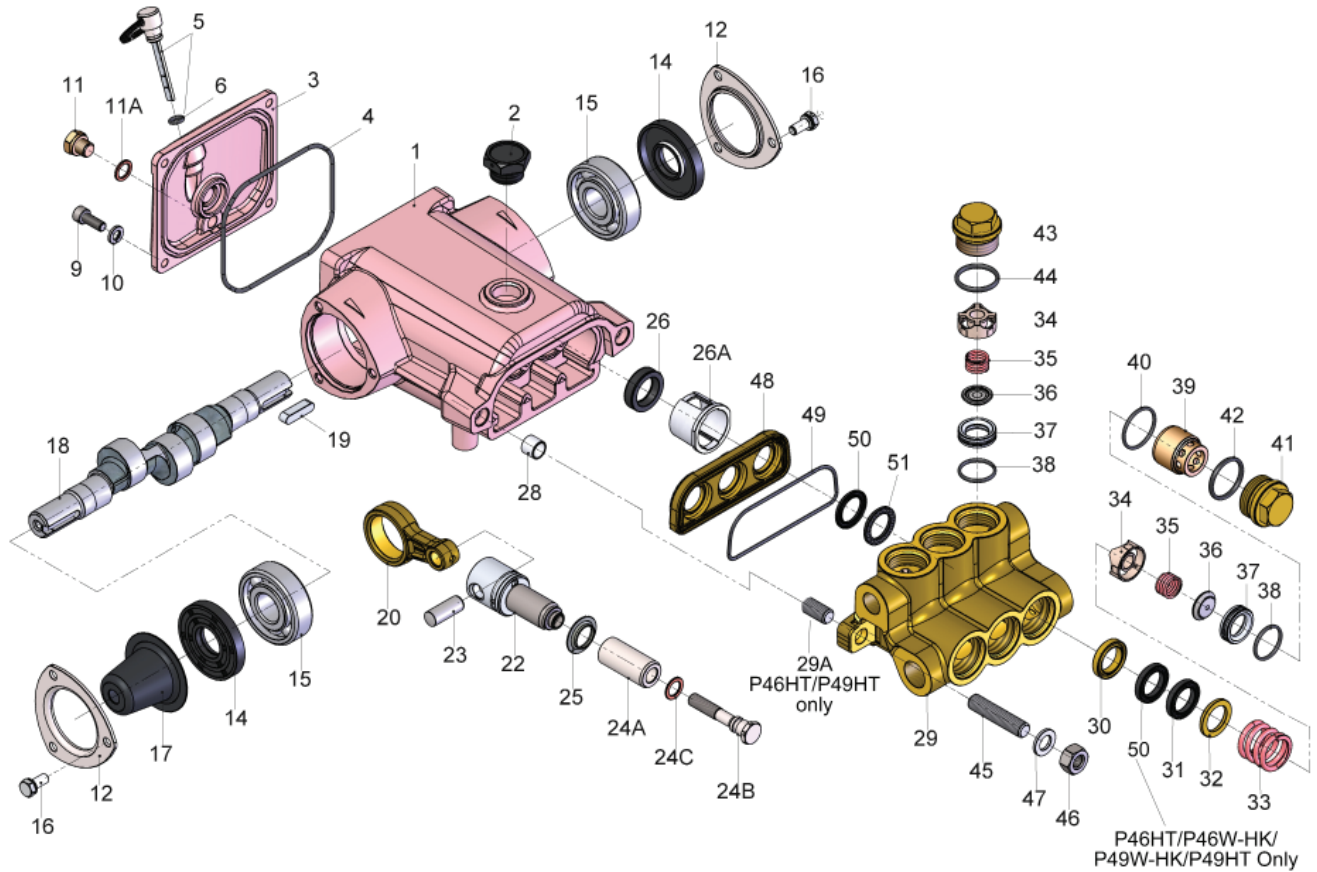


Exploded View and Parts List - P46W, P46W-HK, P46HT, P49W, P49W-HK & P49HT



ITEM	PART	DESCRIPTION	QTY.	ITEM	PART	DESCRIPTION	QTY.
1	07222	Crankcase	1	30	07230	Pressure Ring	3
2	07181	Vent/Filter Plug with Seal	1	31	07241	V-Sleeve (P46W/P49W)	3
3	08004	Cover, Crankcase	1	31	11511	V-Sleeve, High Temp. (P46W-HK/P46HT/P49W-HK/P49HT)	3
4	08005	O-Ring	1	32	07231	Support Ring	3
5	08008	Oil Dipstick Assembly	1	33	07232	Pressure Spring	3
6	01009	O-Ring	1	34	07325	Retainer, Spring	6
9	07188	Cylinder Screw with Slot	4	34	05593	Retainer, Spring (P46HT/P49HT)	6
10	07223-0100	Spring Washer	4	35	06017-0100	Valve Spring	6
11	08012	Oil Drain Plug	1	36	06016	Valve Plate	6
11A	06709	Gasket, Oil Drain Plug	1	37	06014	Valve Seat	6
12	07224	Bearing Cover	2	38	06015	O-Ring	6
14	08015	Radial Shaft Seal	2	39	07233	Suction Valve Adaptor	3
15	08020	Ball Bearing	2	40	07234	O-Ring, Adapter	3
16	07225	Screw and Washer	6	41	07235	Plug, Manifold (Inlet)	3
17	07226	Shaft Protector	1	42	12004	O-Ring, for Item 41	3
18	07227	Crankshaft (P46)	1	43	07792	Plug, Manifold (Discharge)	3
18	04293	Crankshaft (P49)	1	44	07035	O-Ring for Item 43	3
19	03385	Fitting Key	1	45	07215	Stud, Manifold	2
20	08024	Connecting Rod	3	46	08040	Hex Nut, Manifold Stud	2
22	07201	Crosshead Assembly	3	47	08041	Spring Washer, Stud	2
23	01031	Crosshead Pin	3	48	07237	Housing, Rear V-Sleeve	1
24A	07021	Plunger Pipe	3	49	07238	O-Ring, Rear V-Sleeve	1
24B	08456	Tension Screw	3	50	07239	Rear V-Sleeve (P46W/P49W)	3
24C	07676	Copper Ring	3	50	11512	High Temperature Seal (P46W-HK/P46HT/P49W-HK/P49HT)	6
25	06648	Flinger	3	51	07240	Support Ring	3
26	07206	Radial Shaft Seal	3				
26A	11510	Spacer Sleeve	3				
28	07207	Shim, Manifold Stud	2				
29	07033-NPT	Manifold	1				
29A	11502	Stud Bolt (P46HT/P49HT only)	2				

P46W, P46W-HK, P46HT, P49W, P49W-HK & P49HT REPAIR KITS

Complete Plunger Packing Kit P46W & P49W #09081

Item	Part #	Description	Qty.
31	07241	V-Sleeve	3
40	07234	O-Ring	3
50	07239	Rear V-Sleeve	3
51	07240	Support Ring	3

Plunger Packing Kit P46W-HK, P46HT, P49W-HK & P49HT #09514

Item	Part #	Description	Qty.
31	11511	Sleeve	3
40	07234	O-Ring, Adapter	3
42	12004	O-Ring, Plug	3
49	07238	O-Ring, Rear V-Sleeve	1
50	11512	High Temp. Rear Seal	6
51	07240	Support Ring	3

Oil Seal Kit #09202

Item	Part #	Description	Qty.
26	07206	Radial Shaft Seal	3

Valve Assembly Kit P46W, P46W-HK, P49W & P46W-HK #09039

Item	Part #	Description	Qty.
34	07325	Spring Retainer	6
35	06017-0100	Valve Spring	6
36	06016	Valve Plate	6
37	06014	Valve Seat	6
38	06015	O-Ring, Valve Seat	6
40	07234	O-Ring, Adapter	3
42	12004	O-Ring, Inlet Plug	3
44	07035	O-Ring, Discharge Plug	3

Valve Assembly Kit, P46HT & P49HT #09497

Item	Part #	Description	Qty.
34	05593	Spring Retainer	6
35	06017-0100	Valve Spring	6
36	06016	Valve Plate	6
37	06014	Valve Seat	6
38	06015	O-Ring	6
40	07234	O-Ring, Adaptor	3
42	12004	O-Ring, Inlet Plug	3
44	07035	O-Ring, Discharge Plug	3

P46W, P46W-HK, P46HT, P49W, P49W-HK & P49HT TORQUE SPECIFICATIONS

Position	Item#	Description	Lubrication Info	Torque Amount
9	07188	Cylinder Screw with Slot		88 in.-lbs. (10 Nm)
11	08012	Oil Drain Plug with Seal		132 in.-lbs. (15 Nm)
16	07225	Screw and Washer		88 in.-lbs. (10 Nm)
24B	08456	Tension Screw, Plunger	Loctite 243	200 in.-lbs. (22.5 Nm)
24C	07676	Copper Ring	Loctite 243	
41	07235	Plug, Manifold (Inlet)		51 ft.-lbs. (70 Nm)
43	07034	Plug, Manifold (Outlet)	Loctite 243	51 ft.-lbs. (70 Nm)
46	08040	Hexagon Nut, Manifold Stud		35 ft.-lbs. (47.5 Nm)

Pump Mounting Selection Guide

<p>Bushings 01065 - 18 mm Tapered H Bushing</p>	<p>Rails 01034 - Steel Box Rails (L=9.25" x W=1.18" x H=1.62") 01075 - Plated Steel Channel Rails (L=9.00" x W=2.12" x H=2.50")</p>
<p>Pulley & Sheaves 01061 - 7.75" Cast Iron 1 gr. - AB Section 01062 - 7.75" Cast Iron - 2 gr. - AB Section 01066 - 18 mm - 8" Steel Pulley - 1 gr.</p>	