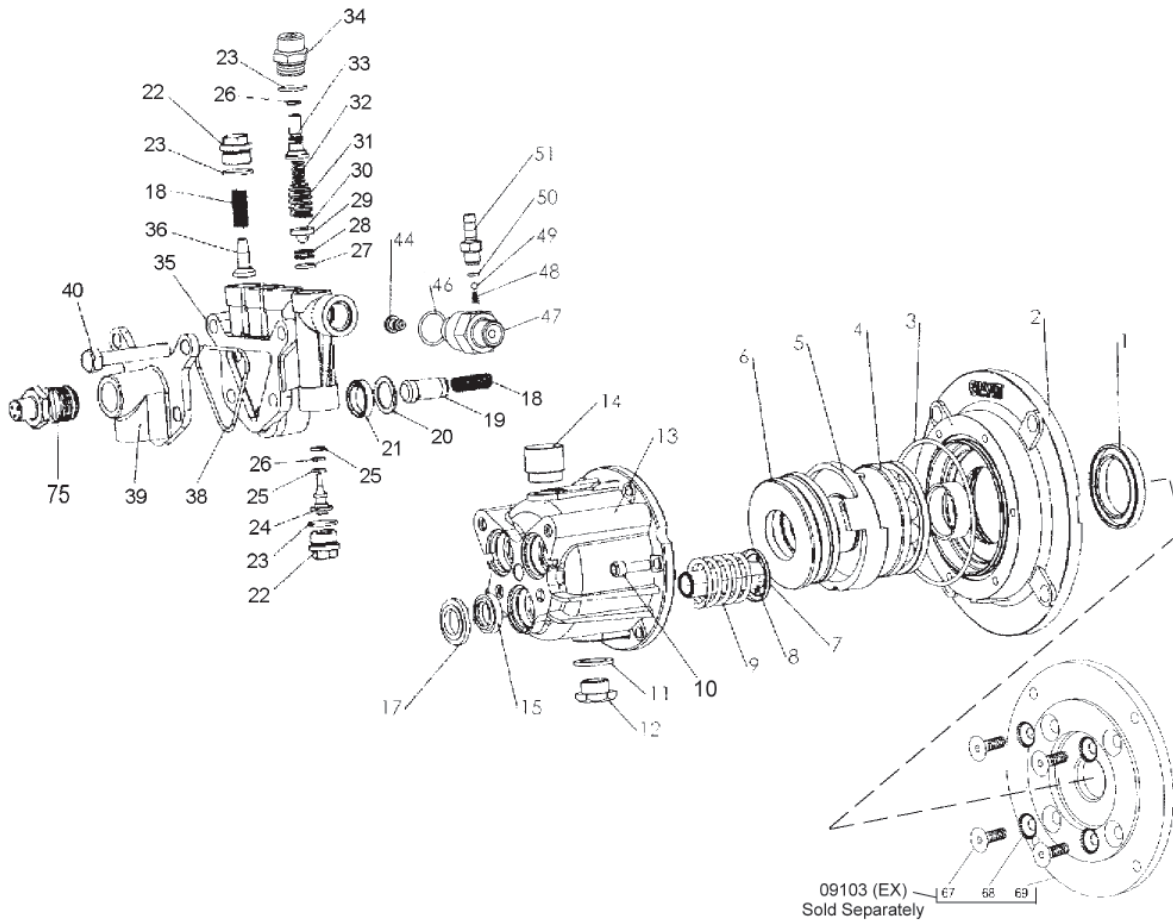


GXR2525 EXPLODED VIEW



Plunger Packing Kit # 09465

Item	Part #	Description	Qty.
20	06290	Support Ring	3
21	06315	V-Sleeve	3

Oil Seal Kit # 09468

Item	Part #	Description	Qty.
15	06316	Plunger Oil Seal	3

Valve Assembly Kit # 09466

Item	Part #	Description	Qty.
18	07374	Valve Spring	6
19	06267	Guided P-Valve	3
36	06295	Discharge Valve Cone	3

Regulator Repair Kit # 09534

Item	Part #	Description	Qty.
24	23507	O-Ring	1
25	06710	Seat	1
26	06386	Ball	1
27	06385	O-Ring	1
28	06384	Plastic Poppet Valve	1
30	06410	O-Ring	1

GXR2525 PARTS LIST

ITEM#	Part#	Description	QTY.	ITEM#	Part#	Description	QTY.
1	07805	Radial Shaft Seal	1	26	07937	O-Ring	2
2*	06310A	Adapting Flange	1	27	08638	O-Ring of Push Seat	1
3	06294	O-Ring (86 x 2.5mm)	1	28	06256	Push in Seat	1
4	06300A	Rear Bearing	1	29	06227	Ball, 8mm	1
5+	06326A	Wobble plate 7.1 degree horizontal, 3/4"	1	30	07917A	Washer	1
6	06301A	Front Bearing	1	31	07918	Adjusting Spring	1
7	06289	Spring Disk	3	32	07919	Pressure Spring	1
8	06287	16mm Plunger	3	33	06523	Adjusting Screw	1
9	06288	Plunger Spring	3	34	06324	Adjusting Screw Plug	1
10	06299	Socket Bolt (1/4-20x3/4 10.9 GRD)	6	35	06286	Manifold	1
11	08192	Gasket	1	36	06295	Discharge Valve Cone	3
12	06273	Oil Drain Plug	1	38	07910	O-Ring	1
13	06338	Crankcase	1	39	06298	Suction Flange	1
14	08083	Vent Cap	1	40	06302	Stud Bolt(M8x1.25x50mm)	4
15	06316	16mm Oil Seal	3	44 ^A	06727-0400	Orifice, 1.8mm	1
17	06292	Spacer	3	44 ^A	06728-0400	Orifice, 2.1mm	1
18	07374	Valve Spring	6	44 ^A	06729-0400	Orifice, 2.3mm	1
19	06267	Guided P-Valve	3	46	07913	O-Ring	1
20	06290	Pressure Ring	3	47**	06303	Injector Retainer	1
21	06315	16mm V-Sleeve	3	48	23009	Spring	1
22	06296	Discharge Plug	4	49	23010-0100	Ball	1
23	12007	O-Ring	5	50	12516-0001	O-Ring	1
24	06304	Piston	1	51	12517	Hose Barb	1
25	12031-0002	Back-up ring	2	75	23422A	Thermal Relief Valve	1

^A = See pump numbering system on page 7.

* When ordering 06310A, please order 17026A which includes 06300A, 07805, and 06294

** Optional Non-Injector Model - (item 41) kick back valve o-ring p/n 12326, (item 42) kick back valve cone p/n 12325 (item 43) kick back spring p/n 12328, (item 47) kick back valve retainer p/n 12340

+ When ordering 06326A, please order 17020A which includes 06326A, 06301A, and shaft ring (not shown).

MOUNTING ACCESSORIES (Sold Separately)

Item	Description
09103(EX) ¹	Gasoline Flange Kit
07435	Bolts for 09103

¹ "EX" Suffix added for engines requiring an external pilot

GXR2525 TORQUE SPECIFICATIONS

<u>Position</u>	<u>Item#</u>	<u>Description</u>	<u>Torque Amount (ft.-lbs)</u>
10	06299	Socket Bolt	100 in.-lbs.
40	06302	Stud Bolt	150 in.-lbs.