

KSP1200 Spray Gun

- HP - Gun complete with spray tube 29.5 in. (750 mm), handle and nozzle holder for insert nozzles (without hose connector and nozzle) Part no. 7009209



Additional Equipment:

-Shoulder support Part no. 7009215
-Initiator for remote control Part no. 7017928
-Half shell handle Part no. 7009921
-Hose connection adapter 1/2" BSP Part no. 7012416
-Hose connection adapter M 22x1.5 DKL Part no. 7009212
-Hose connection adapter M 22x1.5 DKO Part no. 7013332
-Hose connection adapter G 24x1.5 DKO Part no. 7009213



Technical Data

	U.S.	Metric
Max. Working Pressure:	17,400 PSI	1200 bar
Max. Capacity:	10.6 GPM	40 L/min
Connection:		M 26x1.5 female (with pressure screw M 26x1.5 and pressure ring M 14x1.5 LH)
Total Length:	39.4"	1000 mm
Weight:	7.5 lbs.	3.4 kg
Temperature:	max. 122 °F	max. 50 °C
Usable Nozzle Inserts:		-Insert nozzles Form A, B and C -Orbital nozzle KOD 1500/1000 -Rotating nozzle PRD 3500

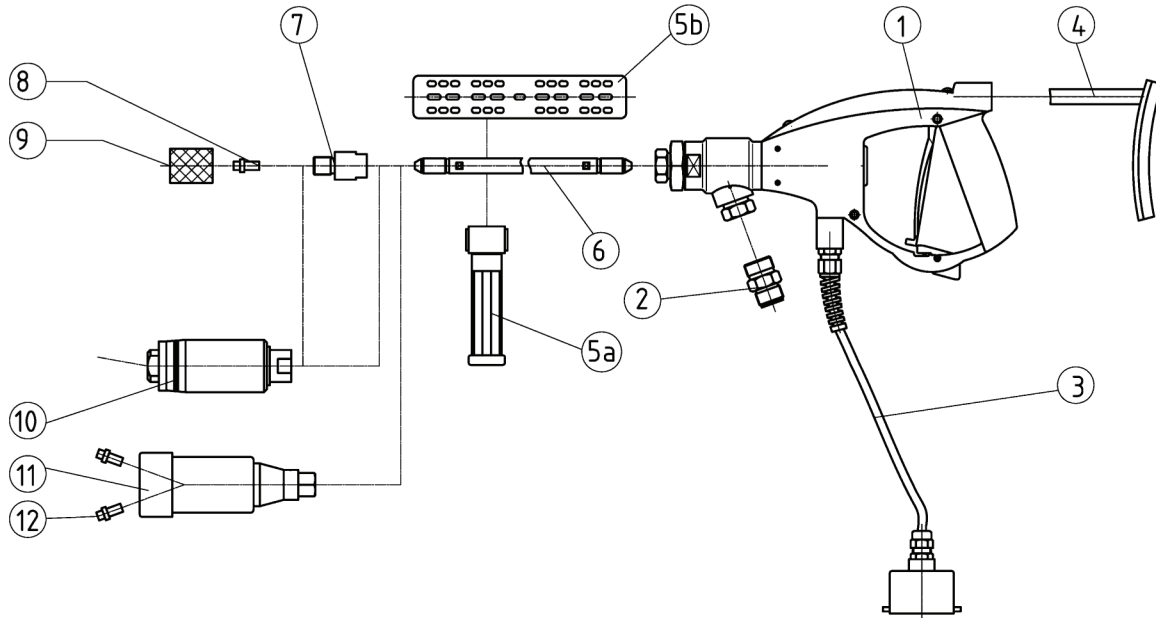
Applications

For manual surface cleaning of all types of forms and materials with nozzle.



For hand-help operation of a spray gun the nozzle diameter must be selected to ensure that the reaction force in the longitudinal axis when used at the maximum operating pressure does not exceed 56.2 lbs.-force (250 N). If the reaction force is in excess of 33.7 lbs.-force (150 N) the gun must be equipped with a support.

KSP1200 Accessories and Spares



Item	Description	Part no.
1	Gun handle with valve and hose connection pressure ring M 14x1.5 LH and pressure screw M 26x1.5	7009460
2	Hose connection adapter	
a.	M 22x1.5 DKL	7009212
b.	M 22x1.5 DKO	7013332
c.	M 24x1.5 DKO	7009213
d.	1/2" BSP DKR	7012416
3	Initiator with 2m cable for remote control	7017928
4	Shoulder support	7009215
5a	Additional handle	7001071
5b	Half shell handle	7009921
6	Gun tube M 14x1.5 LH	
	9.8" (250 mm)	7010480
	19.7" (500 mm)	7006964
	29.5" (750 mm)	7006963
	39.4" (1000 mm)	7006382
	59.1" (1500 mm)	7016913
	78.7" (2000 mm)	7006996
	98.4" (2500 mm)	7014917
	118.1" (3000 mm)	7014918
	157.5" (4000 mm)	7014919

Item	Description	Part no.
7	Adapter for insert nozzle	7009549
8	Insert nozzle	see Straight Jet Insert Nozzles - Form A & B
9	Cap nut for insert nozzle	1051600
10	Orbital nozzle KOD	see KOD Literature
11	Rotating nozzle PRD 3500 Nozzle heads DK1 – DK4	see PRD 3500 Literature
12	Straight jet threaded nozzle Form 0964	see Straight Jet Threaded Nozzle Literature
	Cartridge repair kit	7012314