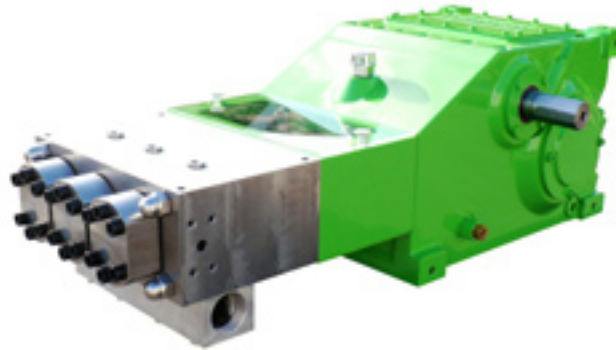


K 11000-3G Triplex Plunger Pumps

Shown With Compact (M)
and Low Pressure (MC) Head



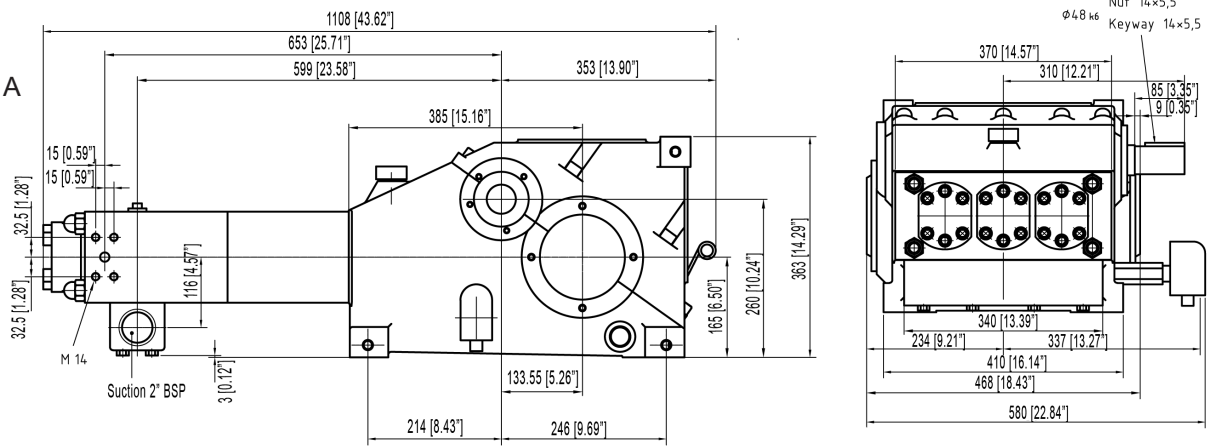
Rated Speed 435 RPM			Pressure at specific power inputs								Pump Head Style		
Type	FLOW		80 Hp	60 kW	101 Hp	75 kW	121 Hp	90 kW	147 Hp	110 kW	A	M	MC
	GPM	L/min	PSI	Bar	PSI	Bar	PSI	Bar	PSI	Bar			
K 11018-3G	9.2	35	13195	910	16313	1125	19430	1340	21750	1500	X		
K 11020-3G	11.4	43	11020	760	13340	920	15950	1100	18923	1305	X		
K 11022-3G	13.7	52	9063	625	11238	775	13340	920	15588	1075	X		
K 11024-3G	16.4	62	7613	525	9498	655	11455	790	13123	905	X		
K 11026-3G	19.3	73	6453	445	8120	560	9715	670	11165	770	X		
K 11028-3G	22.2	84	5655	390	7033	485	8410	580	9643	665	X		
K 11030-3G	25.6	97	4858	335	6090	420	7323	505	8410	580	X		
K 11032-3G	29.1	110	4278	295	5365	370	6453	445	7323	505	X		
K 11036-3G	36.7	139	3263	225	4133	285	4930	340	5800	400	X	X	
K 11040-3G	45.4	172	2610	180	3263	225	3915	270	4713	325		X	X
K 11045-3G	57.6	218	2030	140	2538	175	3045	210	3698	255		X	X
K 11050-3G	71.1	269	1668	115	2103	145	2465	170	2973	205		X	X
K 11055-3G	86.1	326	1378	95	1740	120	2030	140	2465	170		X	X
K 11060-3G	102.2	387	1160	80	1450	100	1740	120	2103	145		X	X
K 11065-3G	119.9	454	1015	70	1233	85	1523	105	1813	125			X

Subject to change without notice

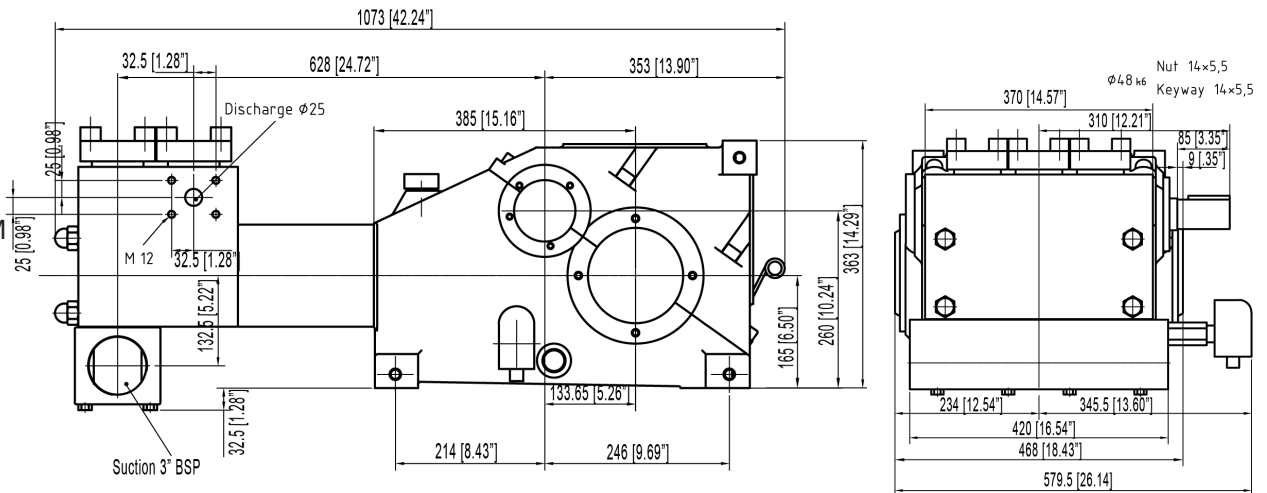
- ◆ Flow rate is based on 100% volumetric efficiency and 68° F (20° C) ambient temperature.
- ◆ Depending on fluid medium, a minimum inlet pressure is required.
- ◆ Depending on rod loading, a minimum crankshaft RPM is required).
- ◆ Dynamically balanced
- ◆ Gear with force-fed lubrication (at >147 Hp/110kW, oil cooler required).
- ◆ Standard Gear Ratios: i = 3.00, 3.14, 3.39, 3.76, 4.13, 4.50 and 4.93
- ◆ Weight: 815 lbs (370 kg)
- ◆ API 674 specifications available upon request.
- ◆ Contact your local distributor or Giant Industries for use with special mediums. i.e. seawater, glycol, methanol, oil, etc.

Pump Dimensions mm(in)

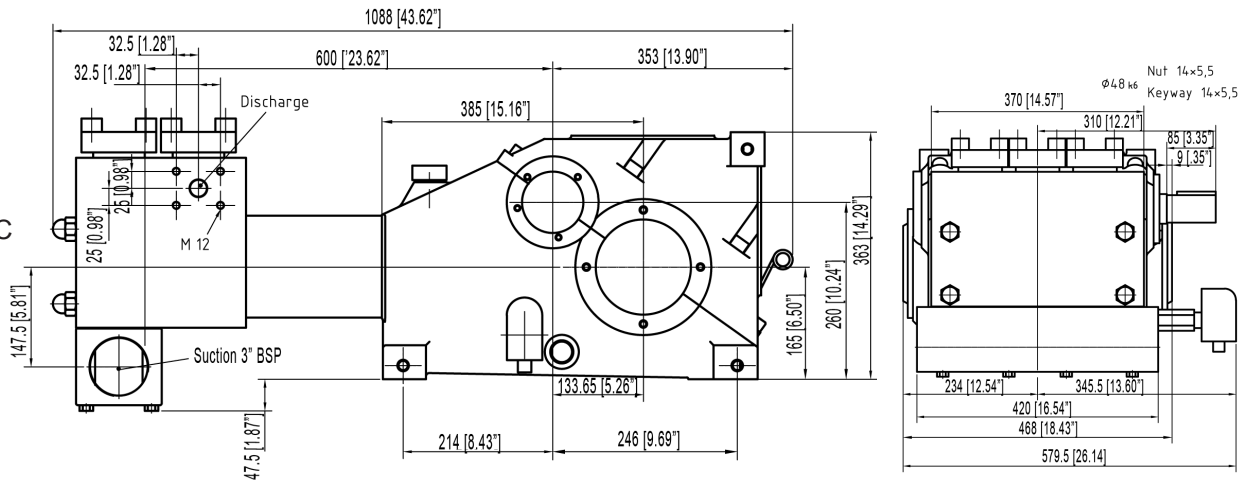
High Pressure Head A



Compact Head M



Compact Head (Low Pressure) MC



GIANT

Performance Under Pressure

GIANT INDUSTRIES, INC.

900 N. Westwood Ave.

Toledo, Ohio 43607

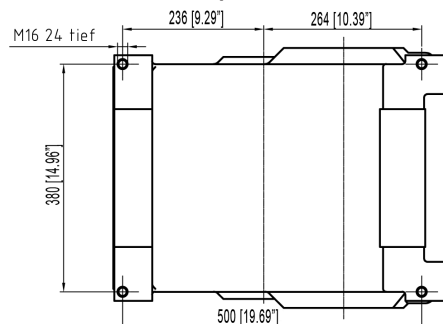
Phone: (419) 531-4600

Fax: (419) 531-6836

www.giantpumps.com

© Copyright 2013 Giant Industries, Inc.

Footprint



Vertical Mount

